



US00D982208S

(12) **United States Design Patent**
Ouyang

(10) **Patent No.:** **US D982,208 S**
(45) **Date of Patent:** **** Mar. 28, 2023**

(54) **OUTDOOR LED PROJECTOR LIGHT**

D923,225 S * 6/2021 Hu D26/63
D923,226 S * 6/2021 Hu D26/63
D945,670 S * 3/2022 Wu D26/63

(71) Applicant: **Lihua Ouyang**, Guangdong (CN)

(Continued)

(72) Inventor: **Lihua Ouyang**, Guangdong (CN)

FOREIGN PATENT DOCUMENTS

(**) Term: **15 Years**

CN 303797011 * 8/2016

(21) Appl. No.: **29/815,471**

OTHER PUBLICATIONS

(22) Filed: **Nov. 15, 2021**

Amazon, "LED Christmas Projector Lights", first available Aug. 23, 2018. (<https://www.amazon.com/dp/B07GSRWXQ9/>) (Year: 2018).*

(51) **LOC (14) Cl.** **26-03**

(Continued)

(52) **U.S. Cl.**
USPC **D26/63**

(58) **Field of Classification Search**
USPC ... D26/1, 24, 61, 62, 63, 64, 65, 66, 67, 71,
D26/72, 74, 75, 76, 78, 79
CPC F21L 2/00; F21S 2/00; F21S 8/00; F21S
8/026; H01K 7/00; H01K 7/02; A01G
7/045

Primary Examiner — Lauren D McVey
Assistant Examiner — Justin A Johnson

(57) **CLAIM**

The ornamental design for an outdoor LED projector light, as shown and described.

See application file for complete search history.

DESCRIPTION

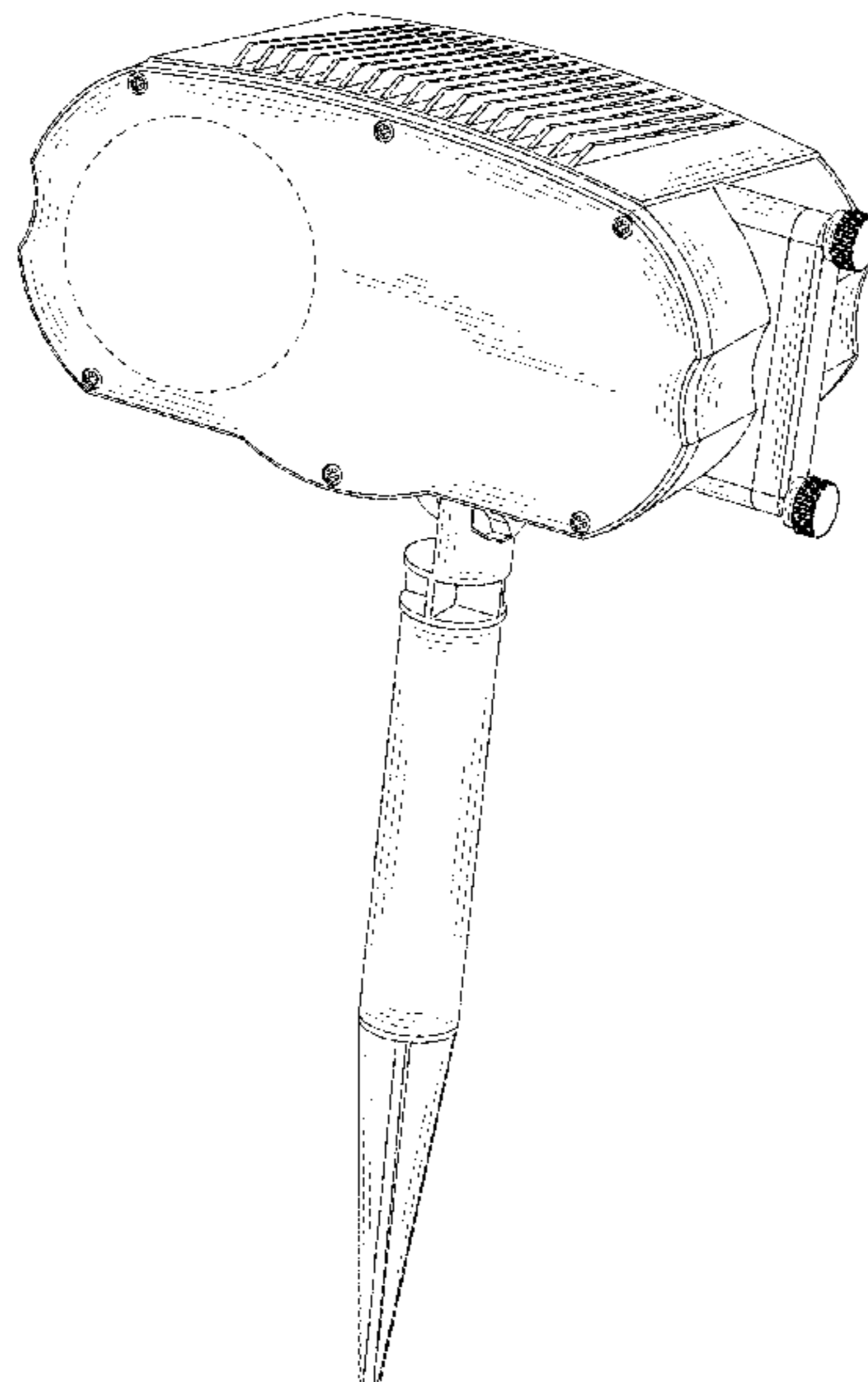
(56) **References Cited**

FIG. 1 is a perspective view of an outdoor LED projector light showing my new design;
FIG. 2 is a front elevational view thereof;
FIG. 3 is a rear elevational view thereof;
FIG. 4 is a left side elevational view thereof;
FIG. 5 is a right side elevational view thereof;
FIG. 6 is a top plan view thereof;
FIG. 7 is a bottom plan view thereof;
FIG. 8 is an enlarged view thereof taken from the dashed circle labeled "FIG. 8" in FIG. 2;
FIG. 9 is an enlarged view thereof taken from the dashed circle labeled "FIG. 9" in FIG. 3; and,
FIG. 10 is an enlarged view thereof taken from the dashed circle labeled "FIG. 10" in FIG. 4.
The broken lines in the drawings depict portions of the outdoor LED projector light that form no part of the claimed design.

U.S. PATENT DOCUMENTS

D323,567 S	1/1992	Denison et al.	
D455,514 S	4/2002	Cheong	
D531,748 S	11/2006	Sanoner	
D605,801 S	12/2009	Chen	
D641,904 S	7/2011	Winstanley et al.	
D659,871 S	5/2012	Lee et al.	
D777,965 S *	1/2017	Mirchandani	D26/63
D797,975 S *	9/2017	Lentine	D26/63
D798,484 S *	9/2017	Lentine	D26/63
D810,342 S	2/2018	Chen	
D827,896 S *	9/2018	Yang	D26/63
D838,889 S *	1/2019	Liu	D26/63
D838,890 S *	1/2019	Xiong	D26/63
D866,836 S *	11/2019	Ji	F21V 31/00 D26/63
D868,330 S *	11/2019	Ji	F21V 14/06 D26/63
D881,433 S	4/2020	Chen	

1 Claim, 10 Drawing Sheets



(56)

References Cited

U.S. PATENT DOCUMENTS

2015/0159842 A1* 6/2015 Zhang F21V 31/00
362/231
2018/0283663 A1* 10/2018 Zhang F21V 14/06

OTHER PUBLICATIONS

Amazon, "Halloween Decorations Light Projector", first available Sep. 9, 2020. (<https://www.amazon.com/dp/B08HQY6Y5P/>) (Year: 2020).*

Amazon, "Outdoor Waterproof Laser Projector", first available Sep. 28, 2020. (<https://www.amazon.com/dp/B08K8WZNPR/?th=1>) (Year: 2020).*

Amazon, "eletecpro Halloween Projector Light", first available Apr. 8, 2021. (<https://www.amazon.com/eletecpro-Halloween-Projector-Decorative-Waterproof/dp/B0921WVJT4>) (Year: 2021).*

* cited by examiner

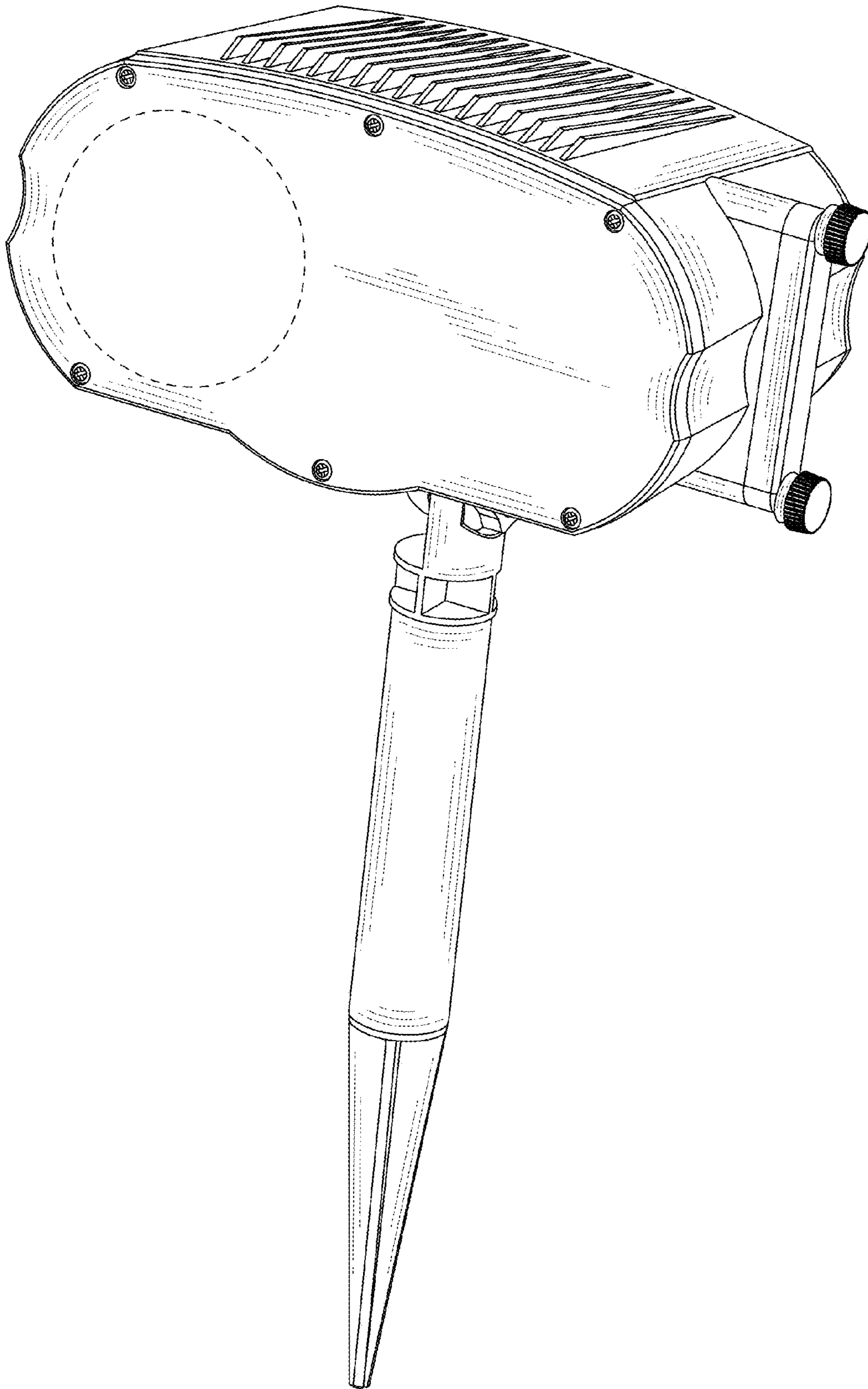


FIG. 1

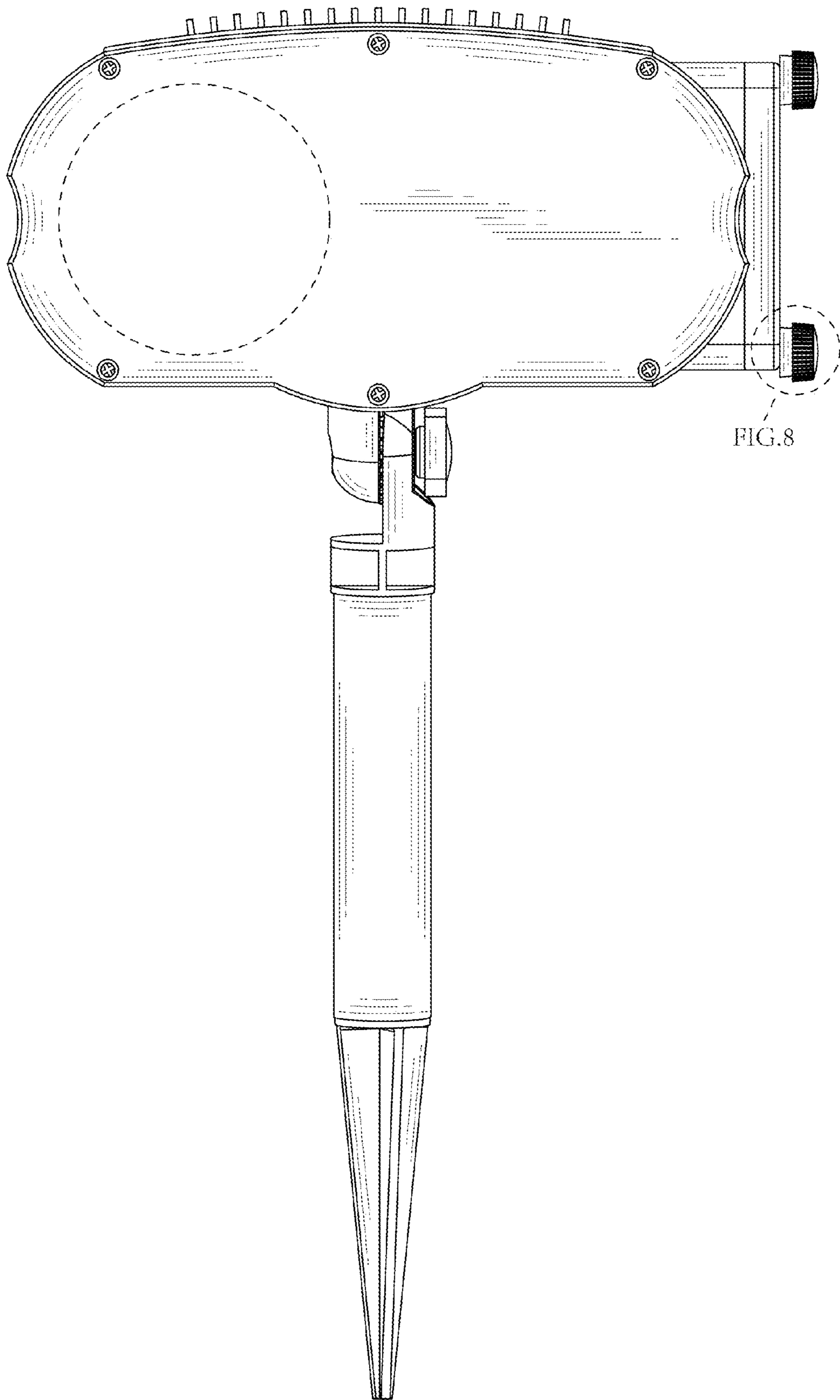


FIG. 8

FIG. 2

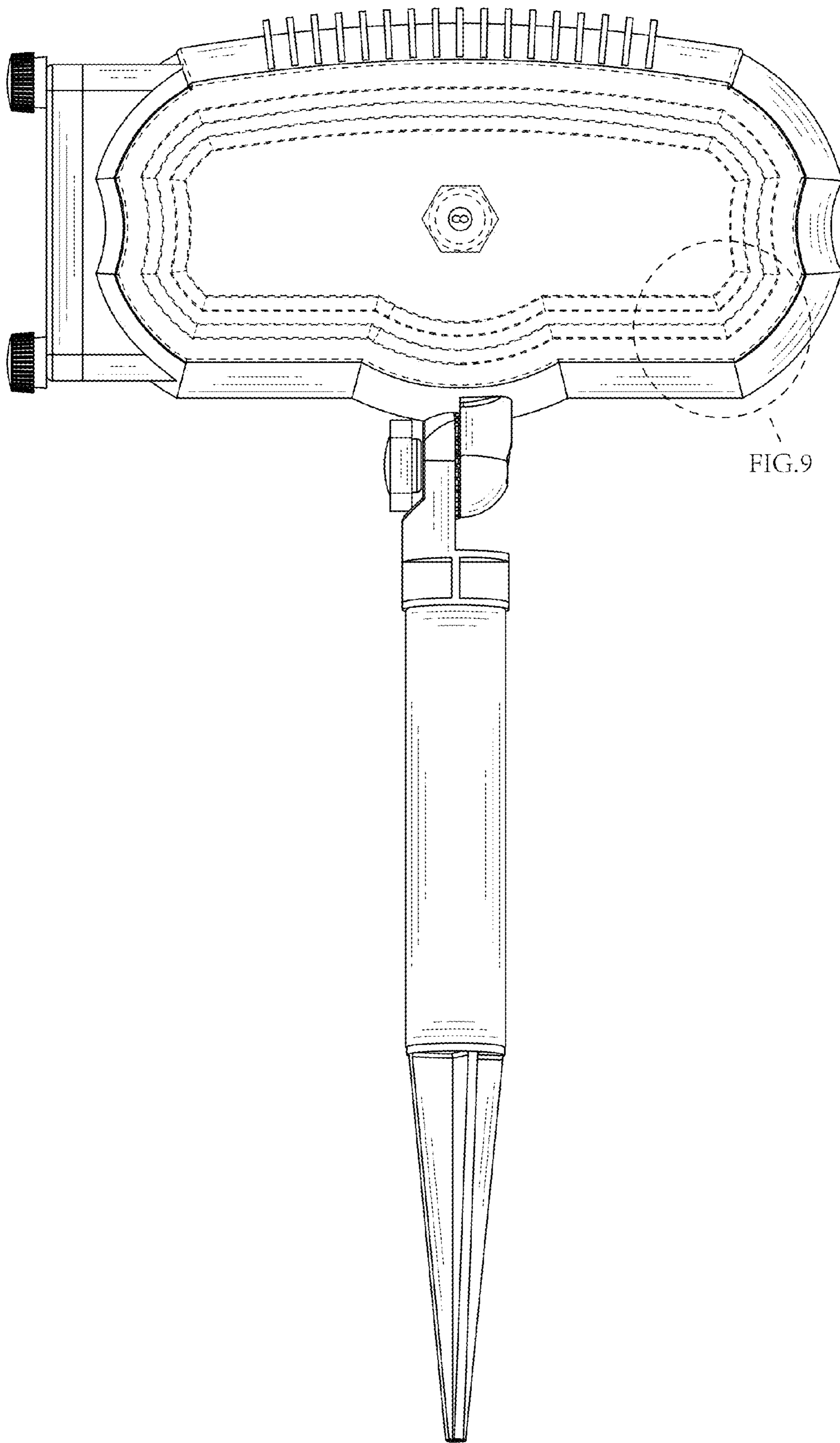


FIG. 3

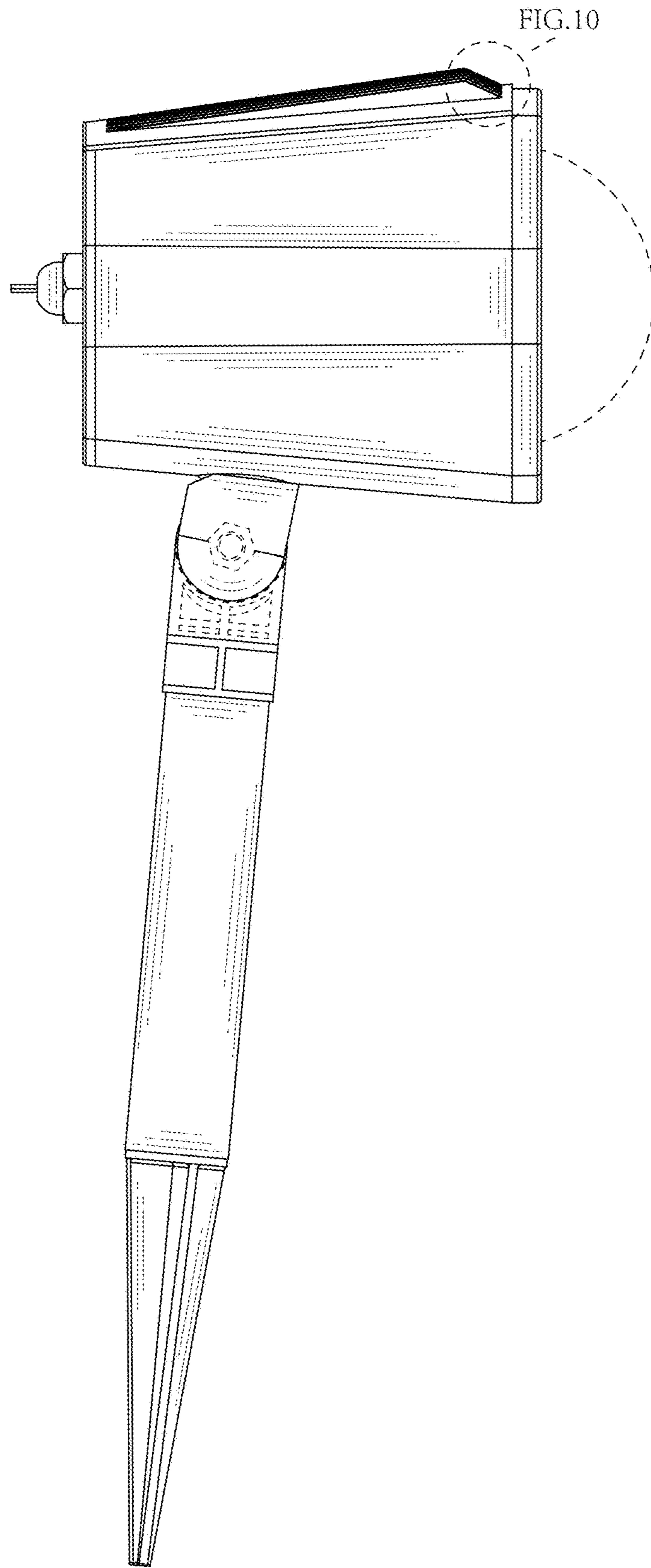


FIG. 4

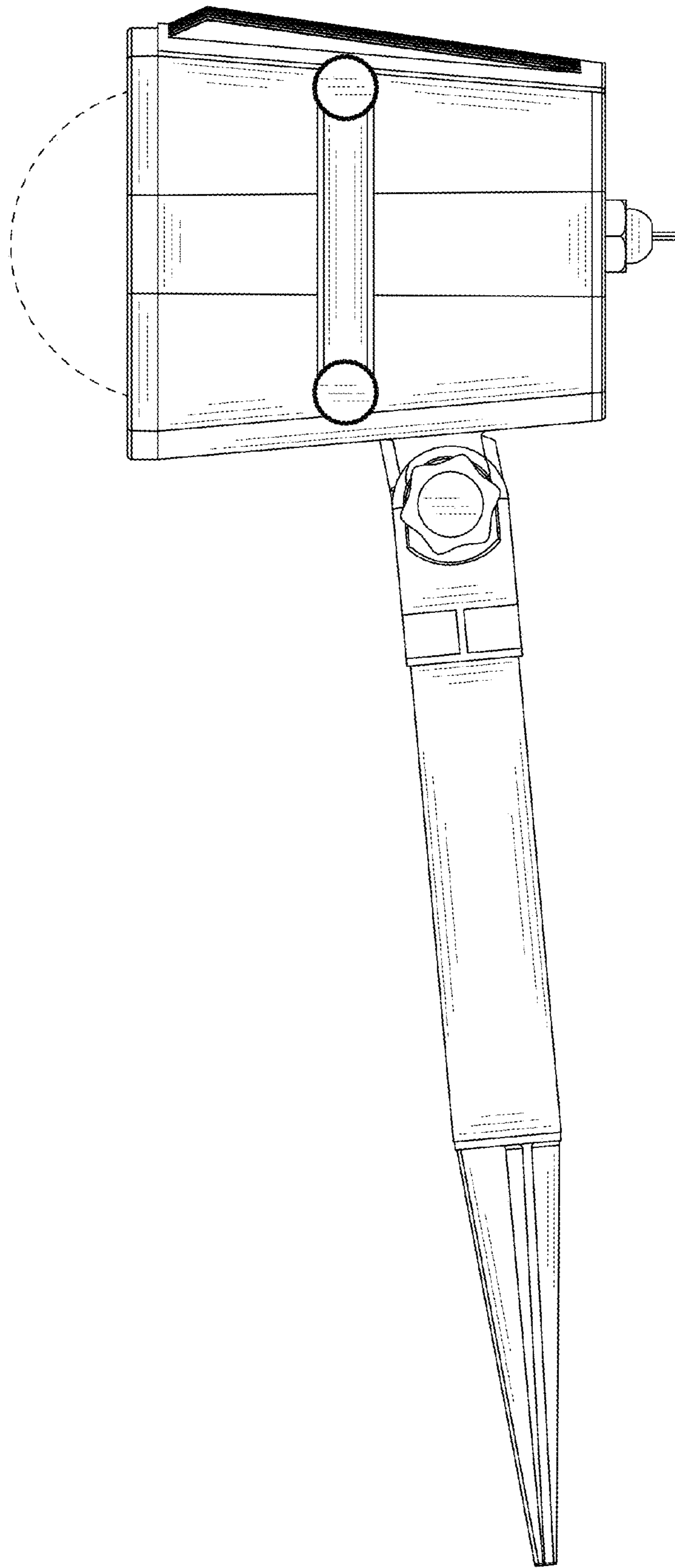


FIG. 5

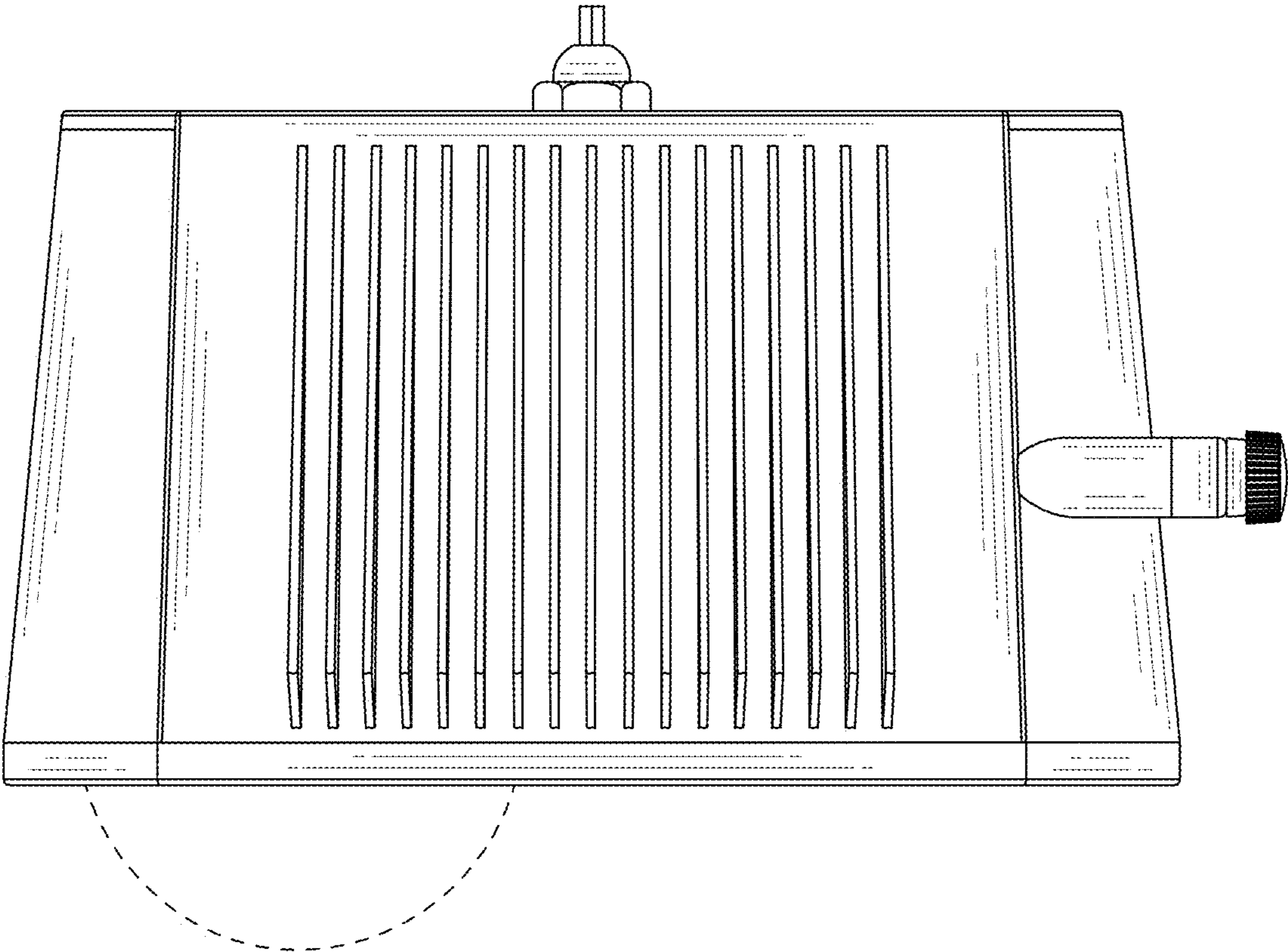


FIG. 6

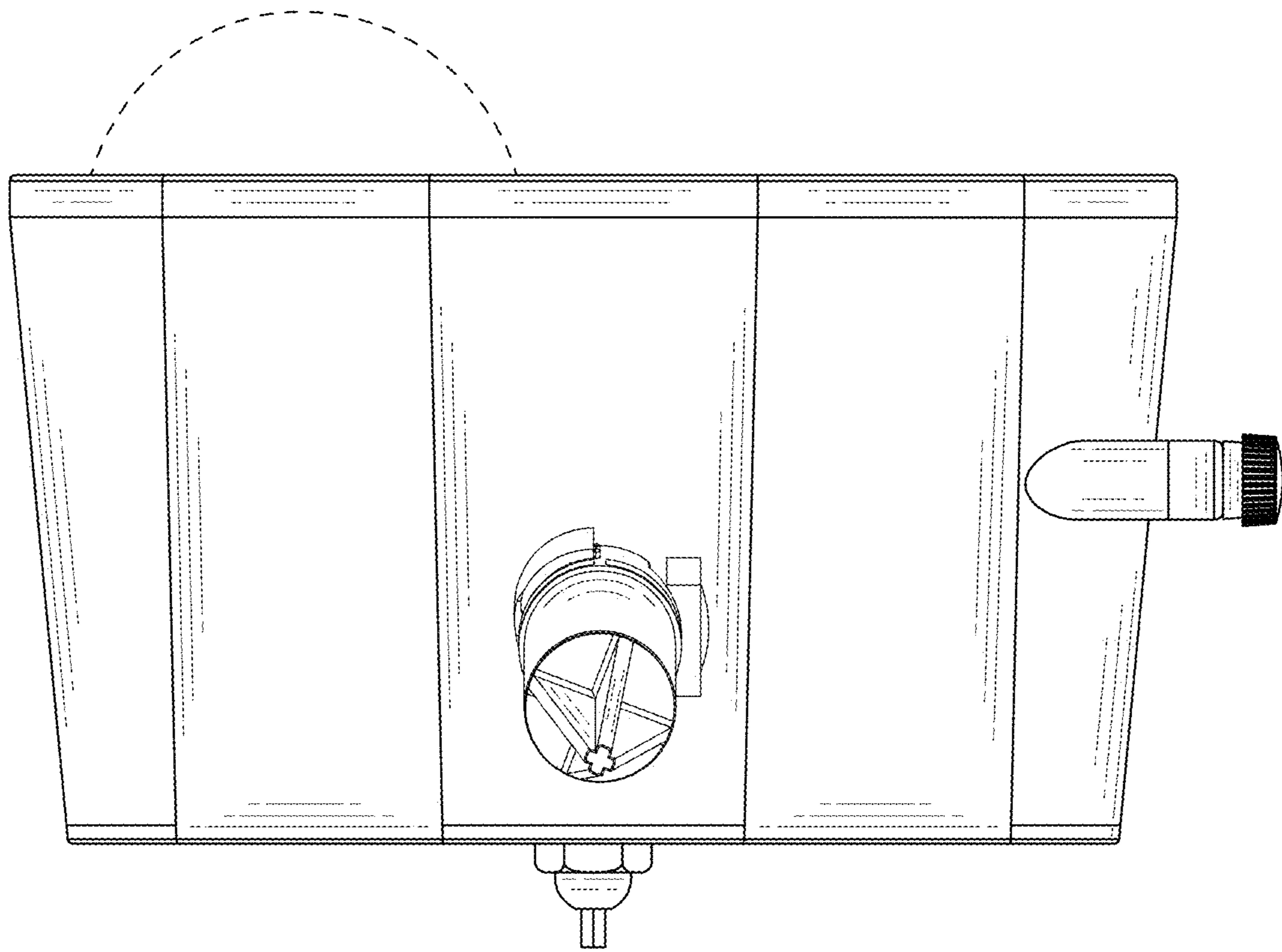


FIG. 7

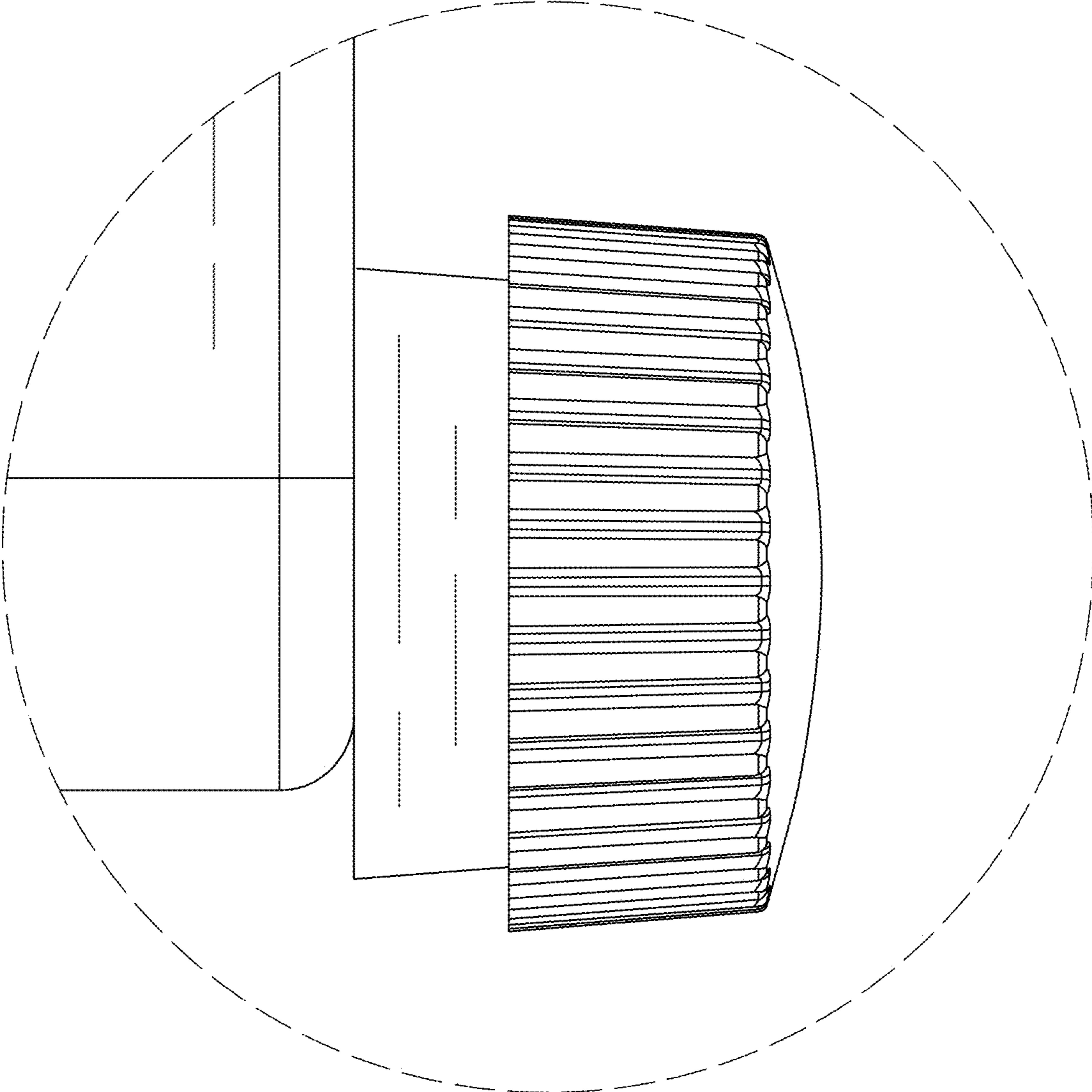


FIG. 8

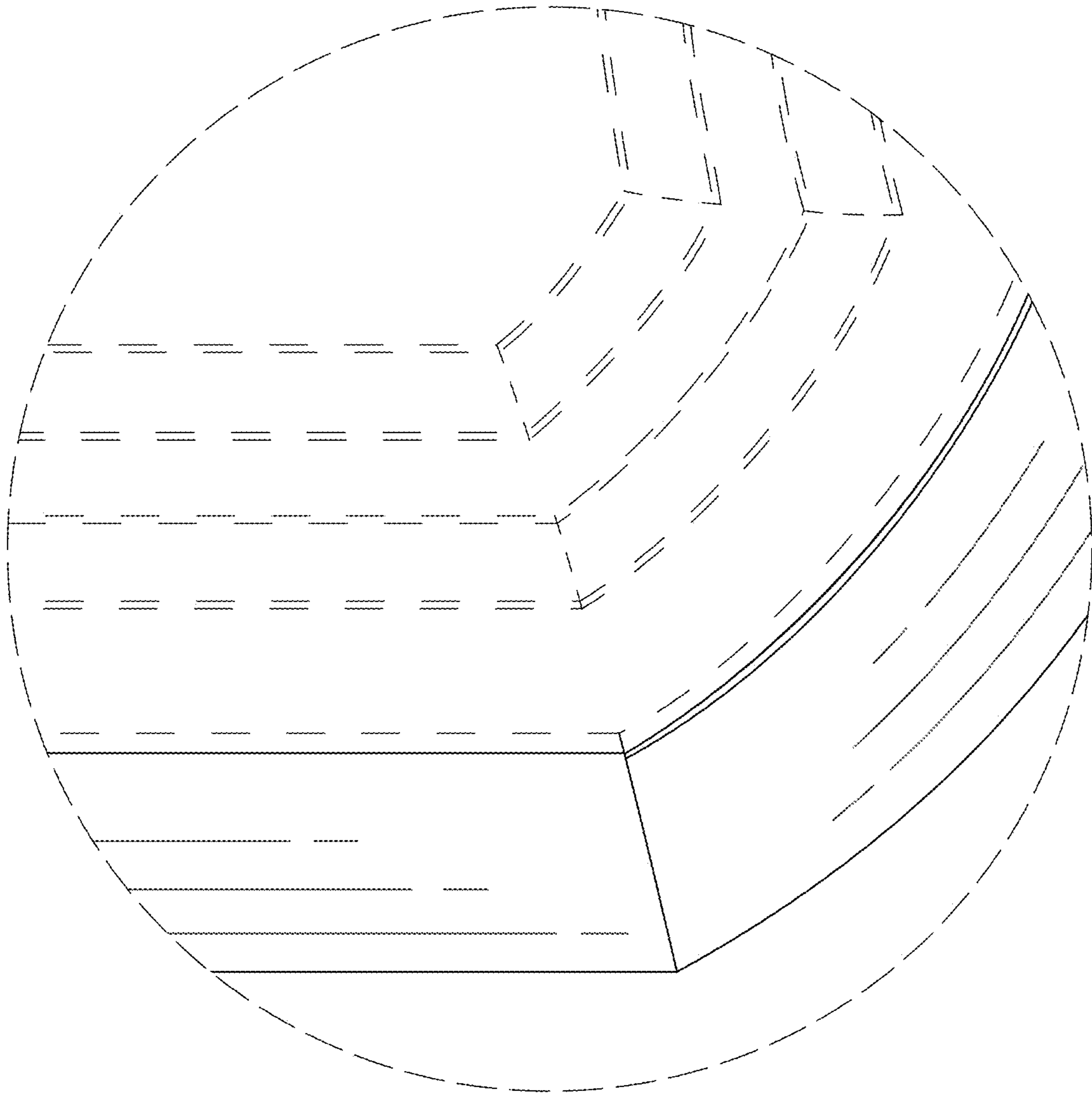


FIG. 9

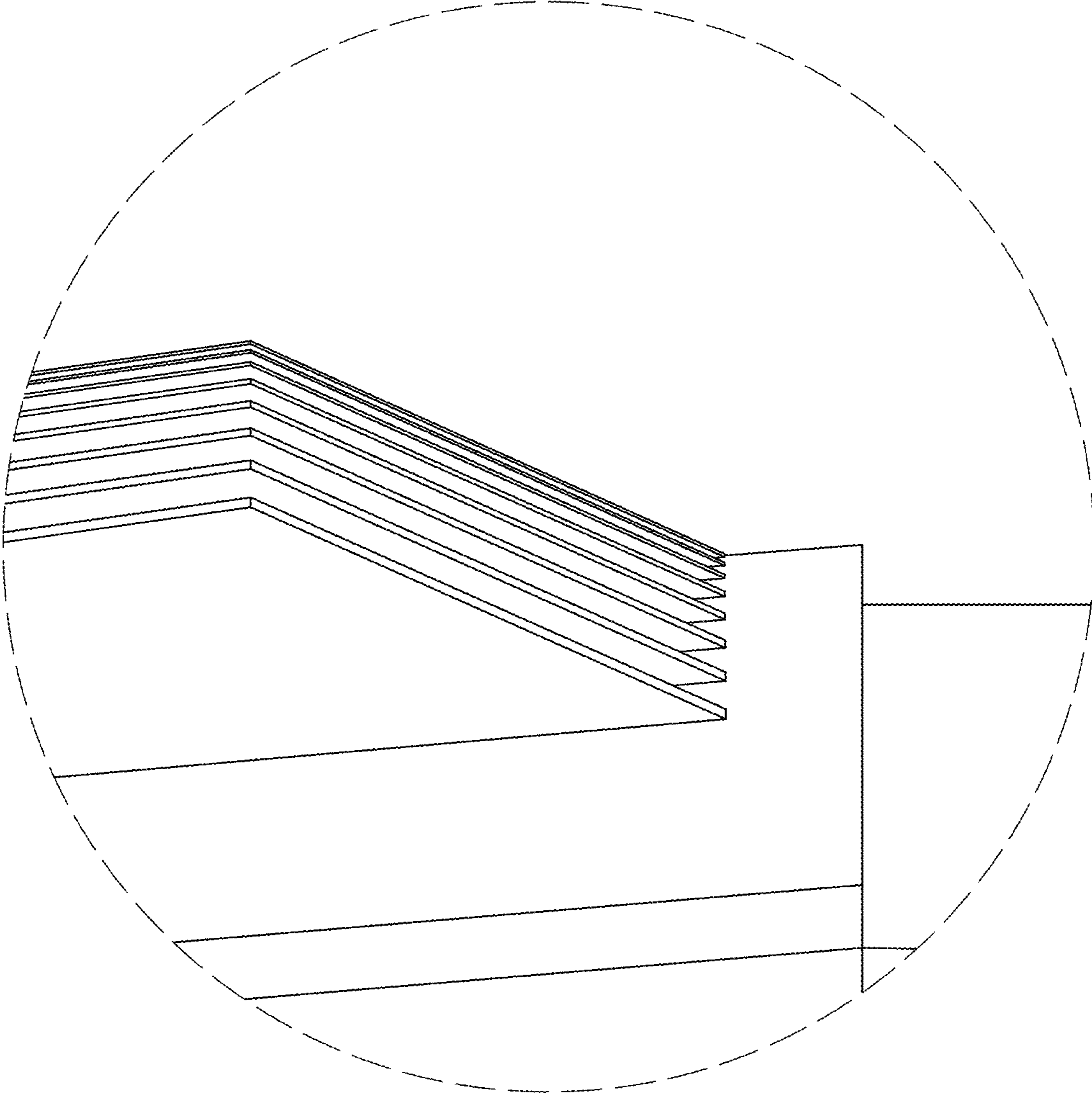


FIG. 10