



US00D982207S

(12) **United States Design Patent**
Zhang et al.

(10) **Patent No.:** **US D982,207 S**
(45) **Date of Patent:** **** Mar. 28, 2023**

(54) **STADIUM LIGHT**

FOREIGN PATENT DOCUMENTS

(71) Applicant: **Fujian CAS-Ceramic Optoelectronics Technology Co., Ltd**, Fujian (CN)

CN 305175072 * 5/2019

(72) Inventors: **Xiuqiang Zhang**, Fujian (CN); **Yanling Li**, Fujian (CN); **Xiao Lin**, Fujian (CN); **Shujiang Zhang**, Fujian (CN)

OTHER PUBLICATIONS

Amazon, "500 Watt LED StadiumPro III LED Stadium Lights", first available Oct. 8, 2018. (<https://www.amazon.com/Stadium-Pro-II-Sports-Efficiency/dp/B083NPYLXW/?th=1>) (Year: 2018).*

(**) Term: **15 Years**

(Continued)

(21) Appl. No.: **29/728,625**

Primary Examiner — Lauren D McVey

(22) Filed: **Mar. 19, 2020**

Assistant Examiner — Justin A Johnson

(51) **LOC (14) Cl.** **26-05**

(74) *Attorney, Agent, or Firm* — Prakash Nama; Global IP Services, PLLC

(52) **U.S. Cl.**

USPC **D26/63**

(57) **CLAIM**

(58) **Field of Classification Search**

USPC ... D26/1, 28, 29, 36, 60, 63, 64, 65, 66, 93, D26/104, 106, 107, 118

The ornamental design for a stadium light, as shown.

CPC F21L 2/00; F21L 4/00; F21L 4/02; F21L 4/025; F21L 4/027; F21L 14/00; F21S 2/00; F21S 8/03; F21S 8/033; F21S 8/035; F21S 6/002; F21S 6/004; F21S 8/036; F21S 8/037; F21S 9/00; F21S 9/02; F21V 21/10; F21V 21/108; F21W 2121/008

DESCRIPTION

See application file for complete search history.

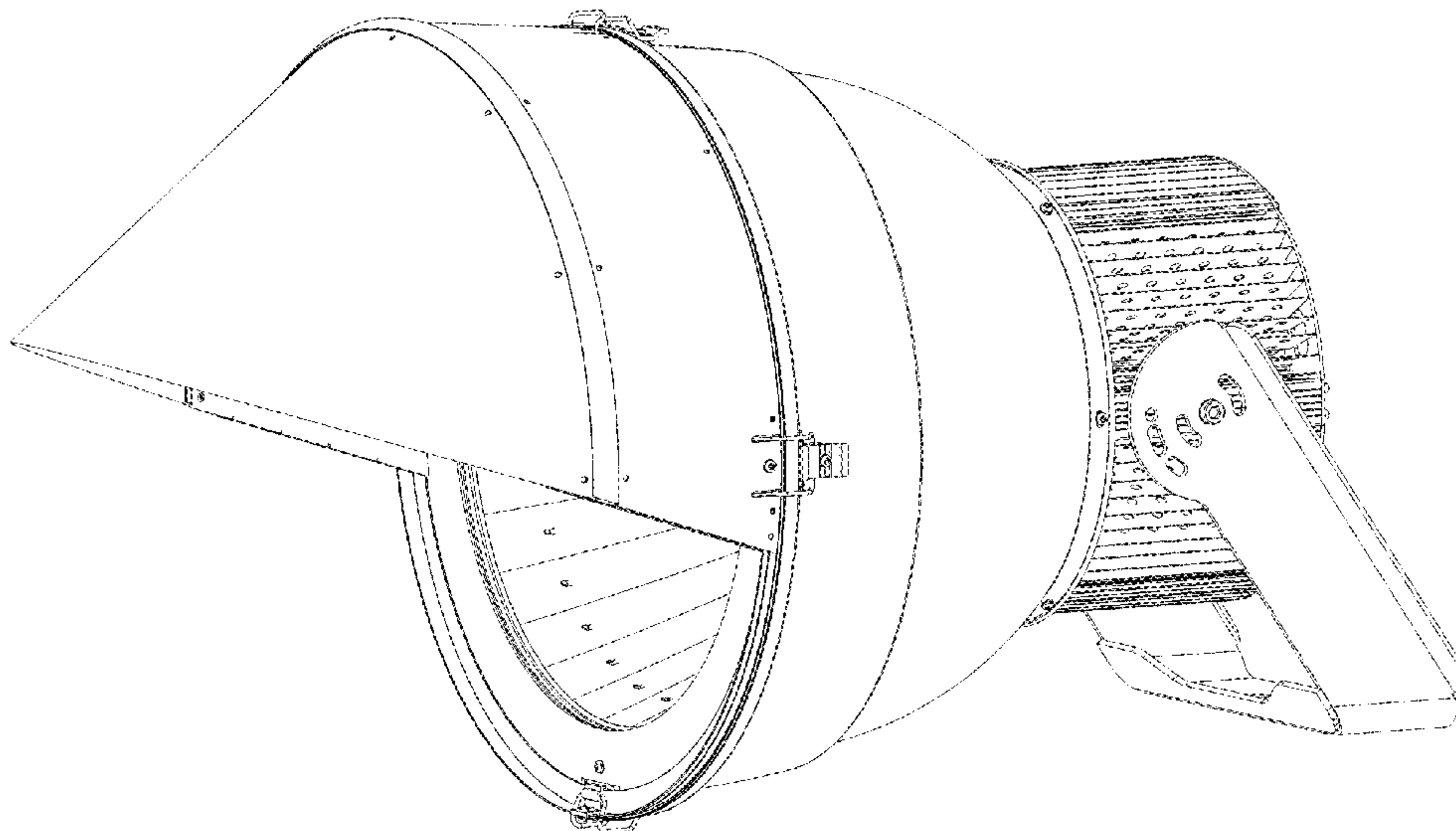
FIG. 1 is a front elevational view of a stadium light showing our new design;
FIG. 2 is a rear elevational view thereof;
FIG. 3 is a left side view thereof;
FIG. 4 is a right side view thereof;
FIG. 5 is a top plan view thereof;
FIG. 6 is a bottom plan view thereof;
FIG. 7 is a perspective view thereof;
FIG. 8 is a second perspective view thereof;
FIG. 9 is a third perspective view thereof;
FIG. 10 is a fourth perspective view thereof;
FIG. 11 is a fifth perspective view thereof;
FIG. 12 is a sixth perspective view thereof;
FIG. 13 is a seventh perspective view thereof;
FIG. 14 is an eighth perspective view thereof;
FIG. 15 is a ninth perspective view thereof;
FIG. 16 is a tenth perspective view thereof;
FIG. 17 is an eleventh perspective view thereof; and,
FIG. 18 is a twelfth perspective view thereof.

(56) **References Cited**

U.S. PATENT DOCUMENTS

6,502,965 B1 * 1/2003 Bradford F21V 7/10
362/346
D475,646 S * 6/2003 Mashevsky D10/114.1
D638,159 S * 5/2011 Yao D26/68
D643,945 S * 8/2011 Cook D26/1
D748,838 S * 2/2016 Brynjolfsson D26/63
D818,171 S * 5/2018 Brynjolfsson D26/63
D862,757 S * 10/2019 Wang F21V 7/10
D26/63
D866,832 S * 11/2019 Amin D26/63

1 Claim, 18 Drawing Sheets



(56)

References Cited

U.S. PATENT DOCUMENTS

D866,833 S * 11/2019 Amin D26/63
D889,013 S * 6/2020 Pan D26/63
D915,653 S * 4/2021 Hsu D26/63
D921,256 S * 6/2021 Wang D26/61
D929,635 S * 8/2021 Wu D26/63

OTHER PUBLICATIONS

Amazon, "Dephen 500W Led Stadium Lights", first available Dec. 11, 2018. (<https://www.amazon.com/Dephen-500W-Led-Stadium-Lights/dp/B07LCGFC9P/?th=1>) (Year: 2018).*

Amazon, "600W LED Stadium Light", first available Aug. 30, 2021. (<https://www.amazon.com/LED-Stadium-1500-2500W-Outdoor-Lighting/dp/B09DYBT29M/?th=1>) (Year: 2021).*

Amazon, "Hyperikon LED Stadium Lights", first available Sep. 9, 2021. (<https://www.amazon.com/dp/B09FSP94C1/>) (Year: 2021).*

* cited by examiner

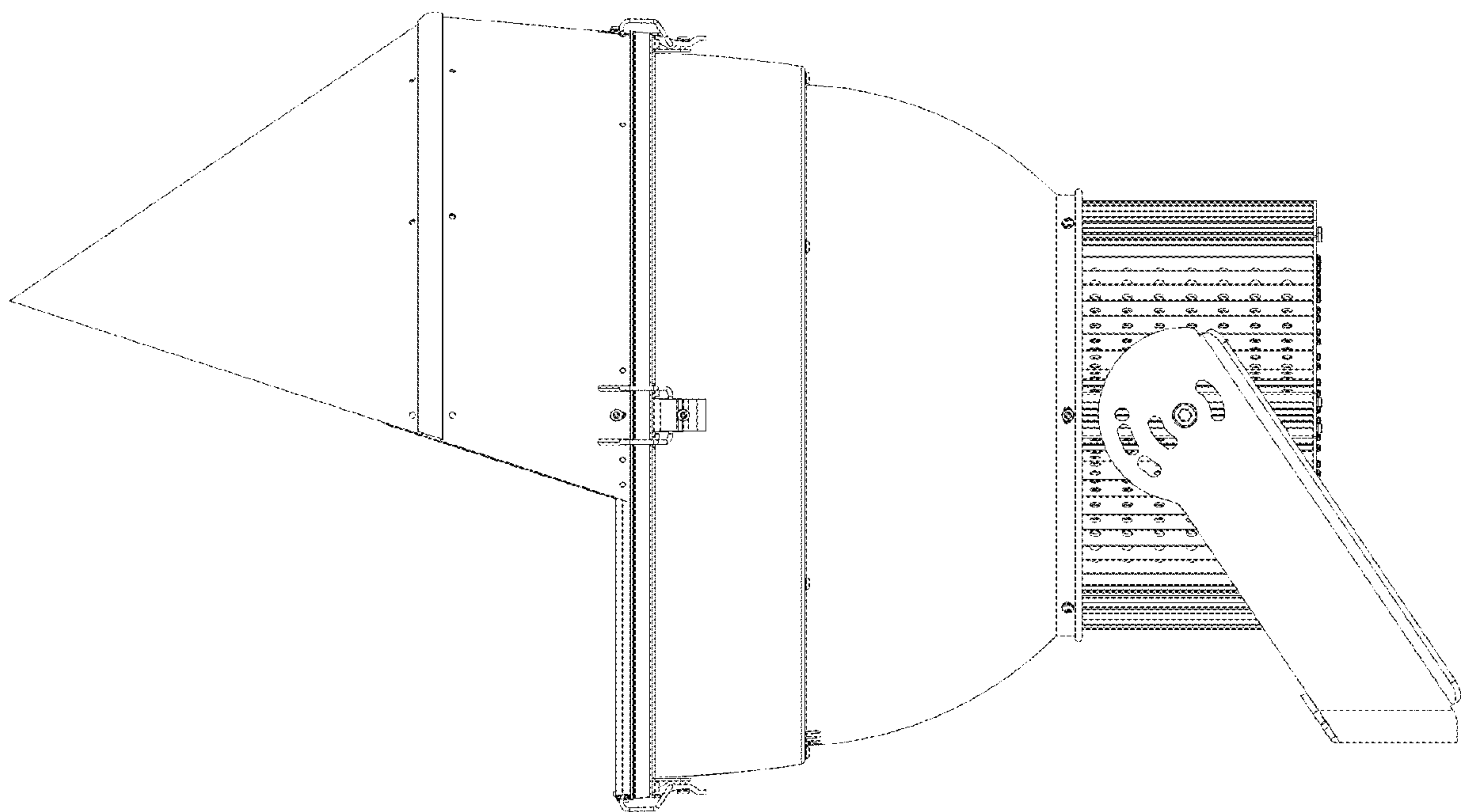


FIG.1

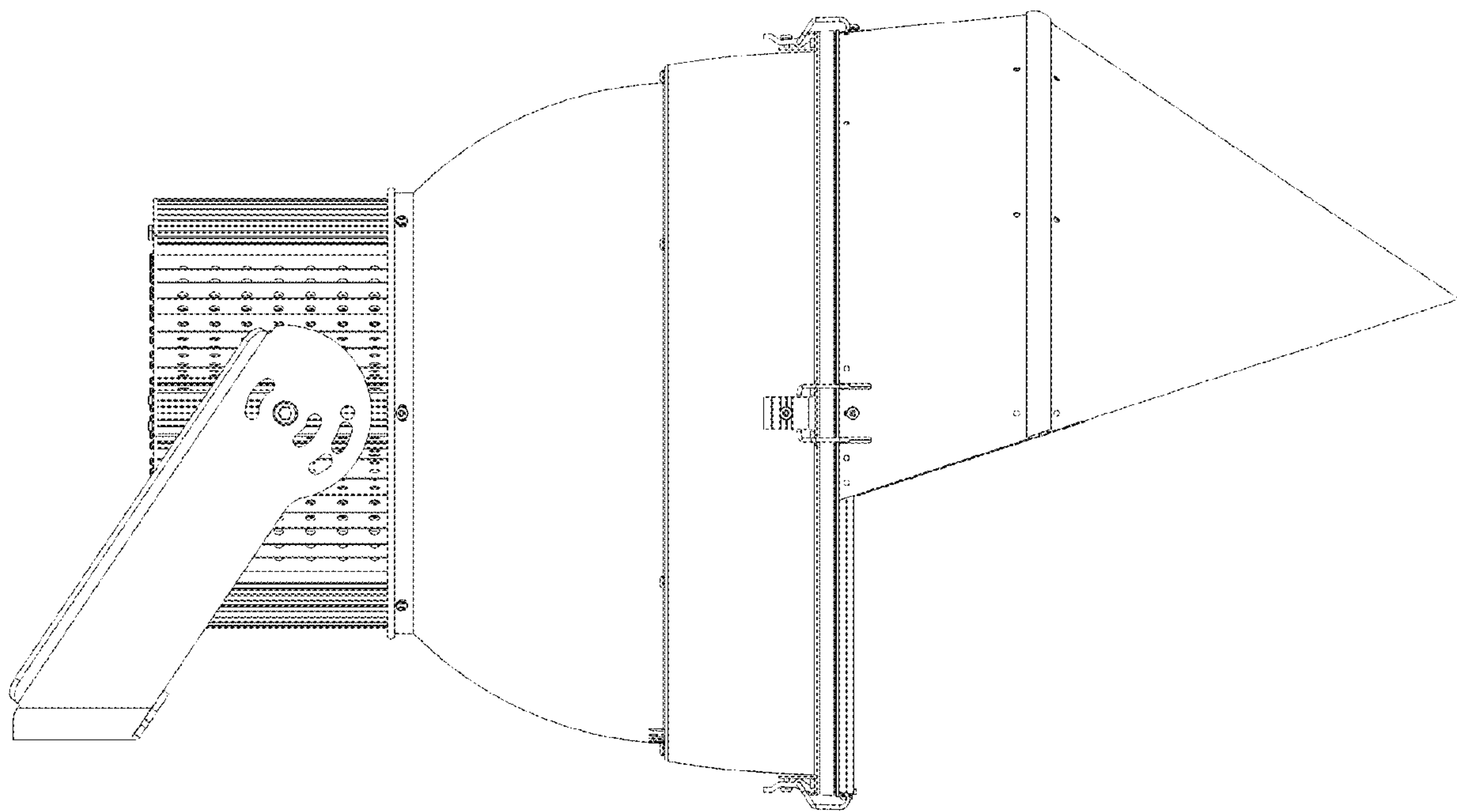


FIG. 2

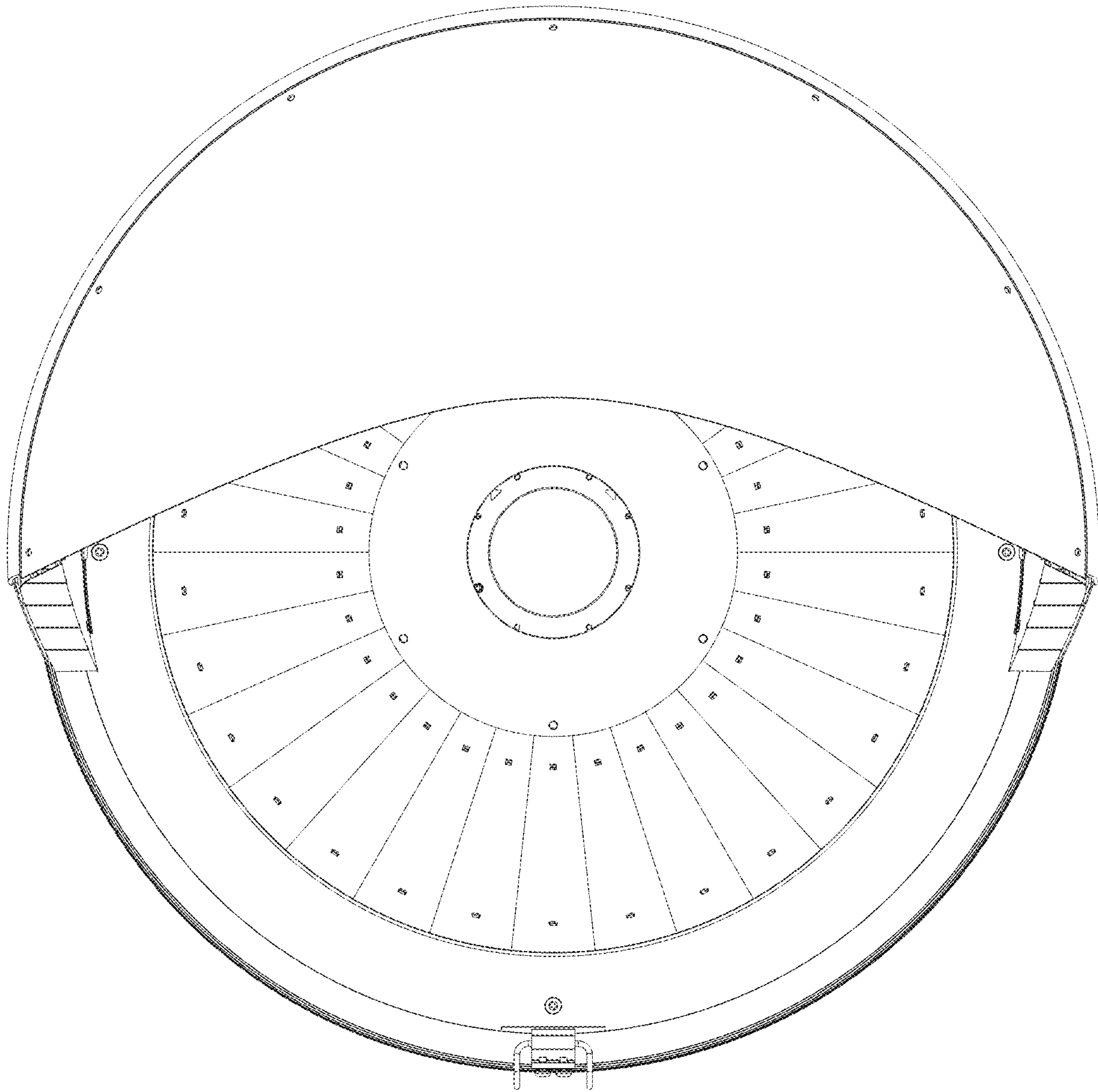


FIG. 3

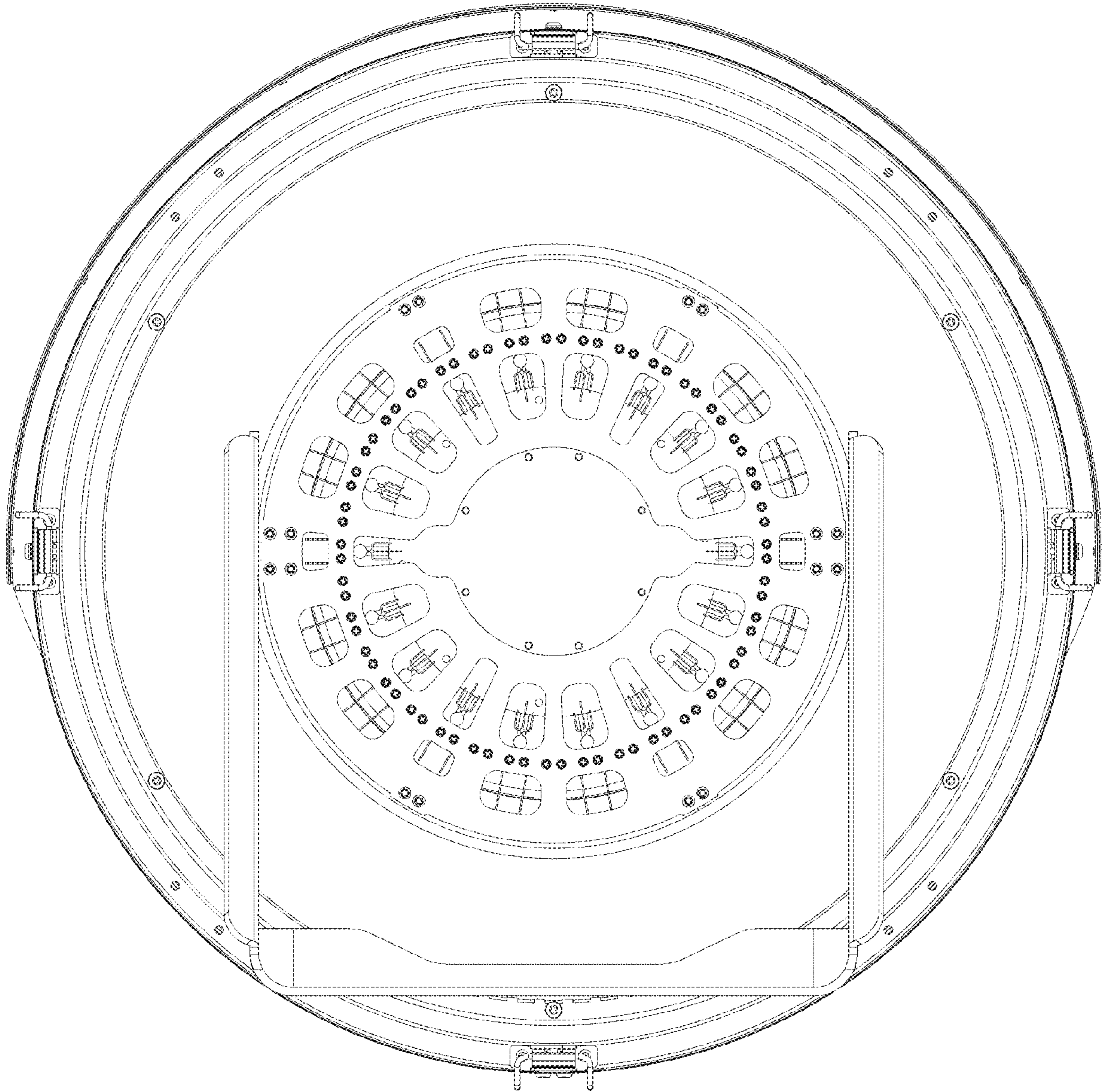


FIG. 4

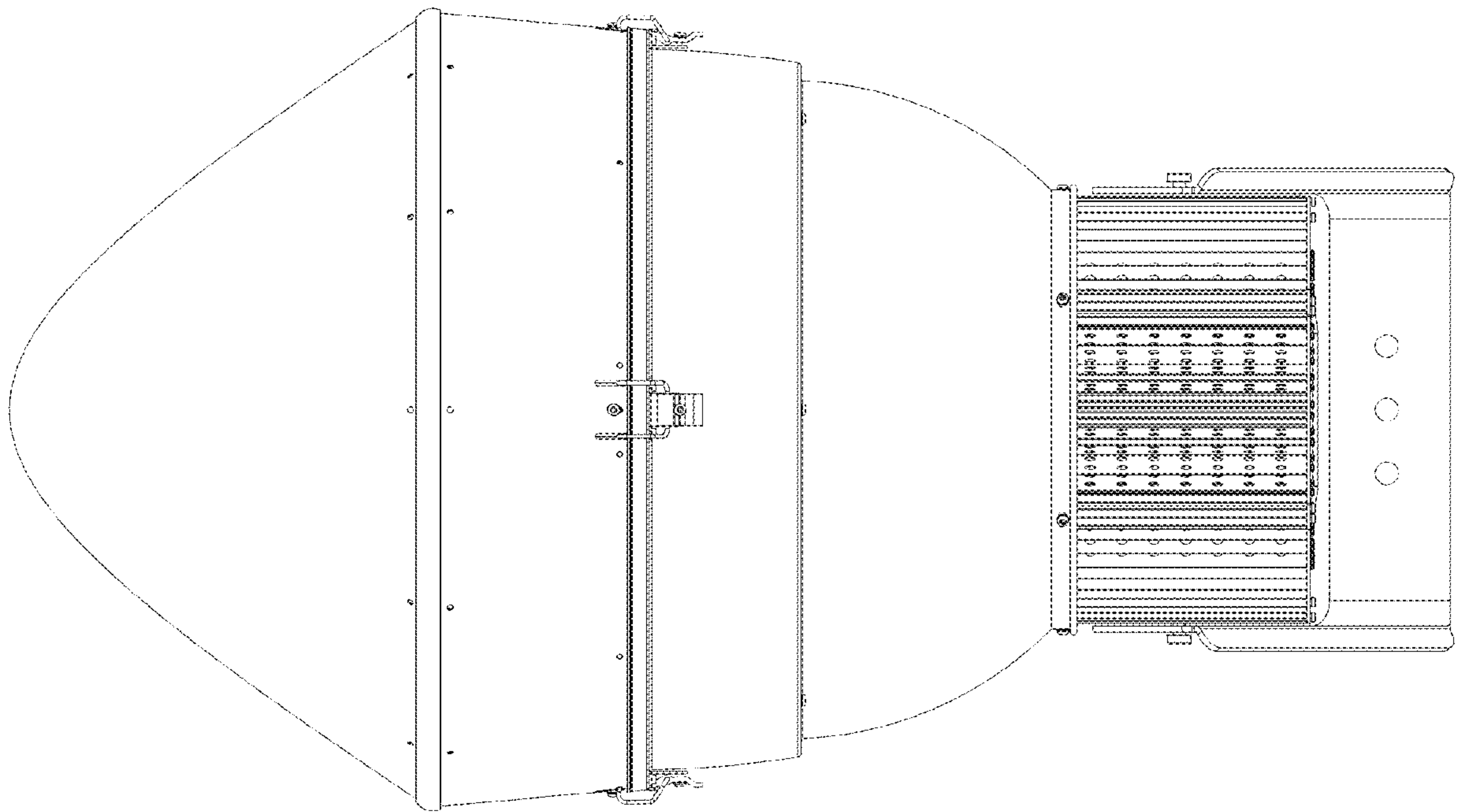


FIG.5

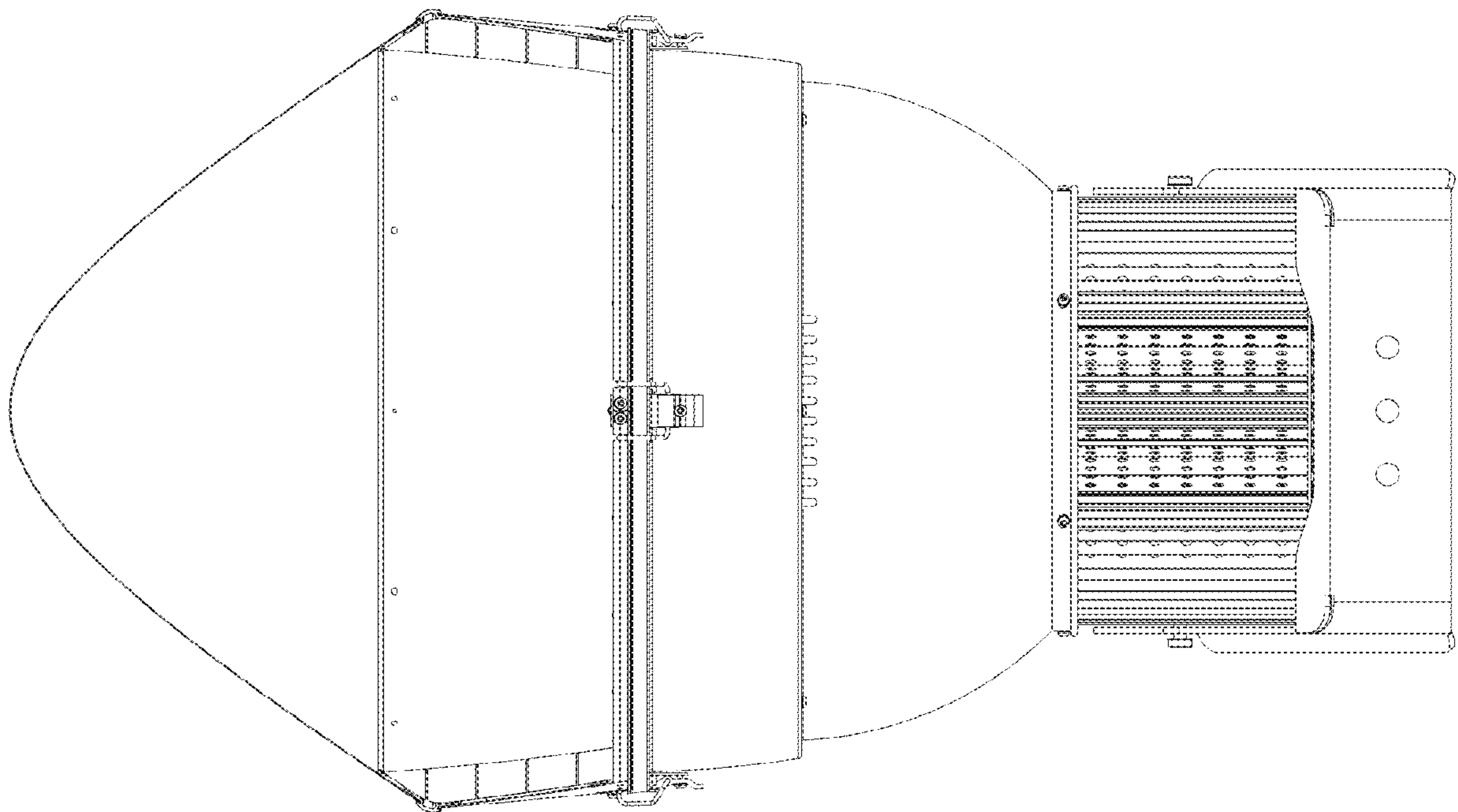


FIG.6

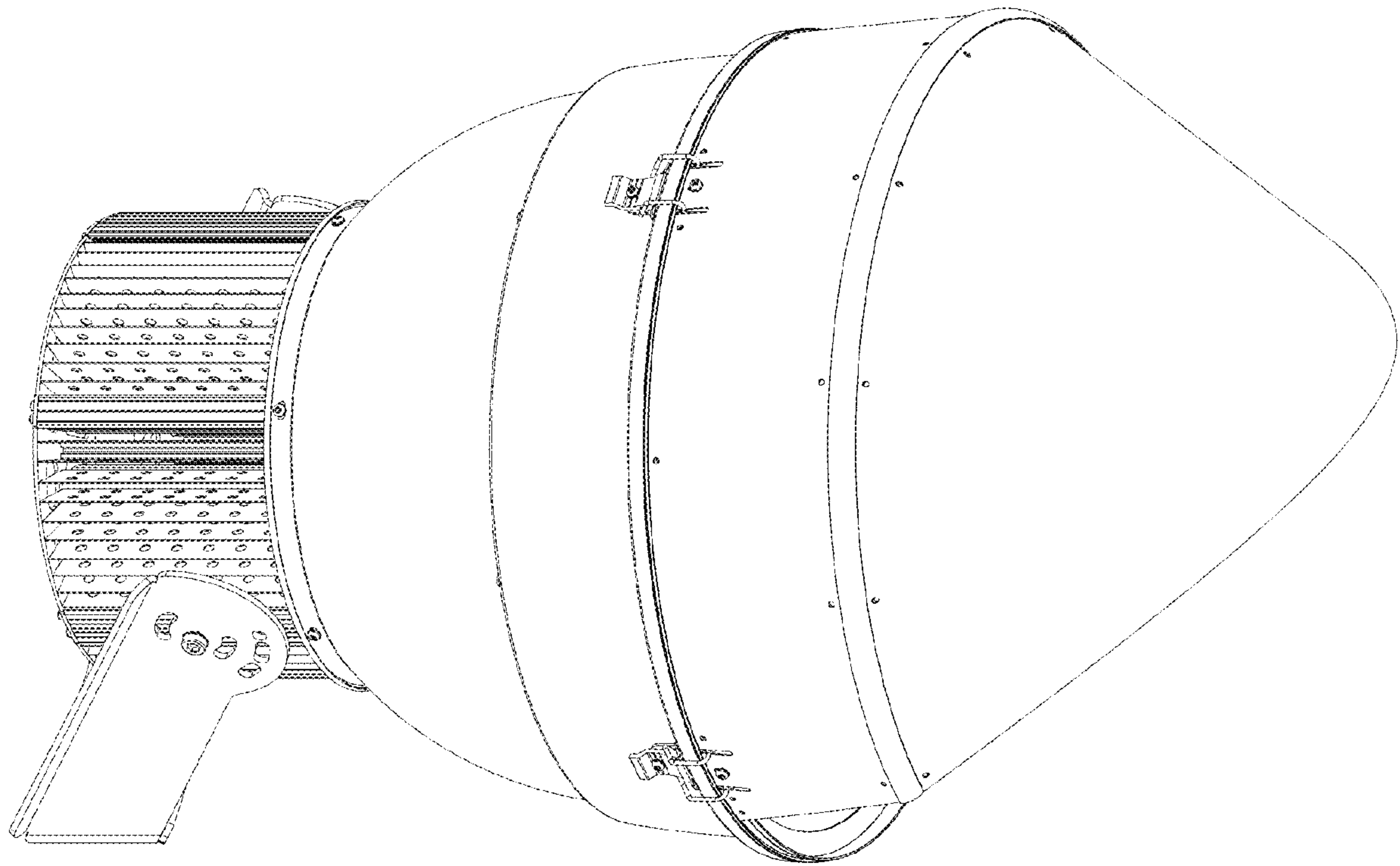


FIG. 7

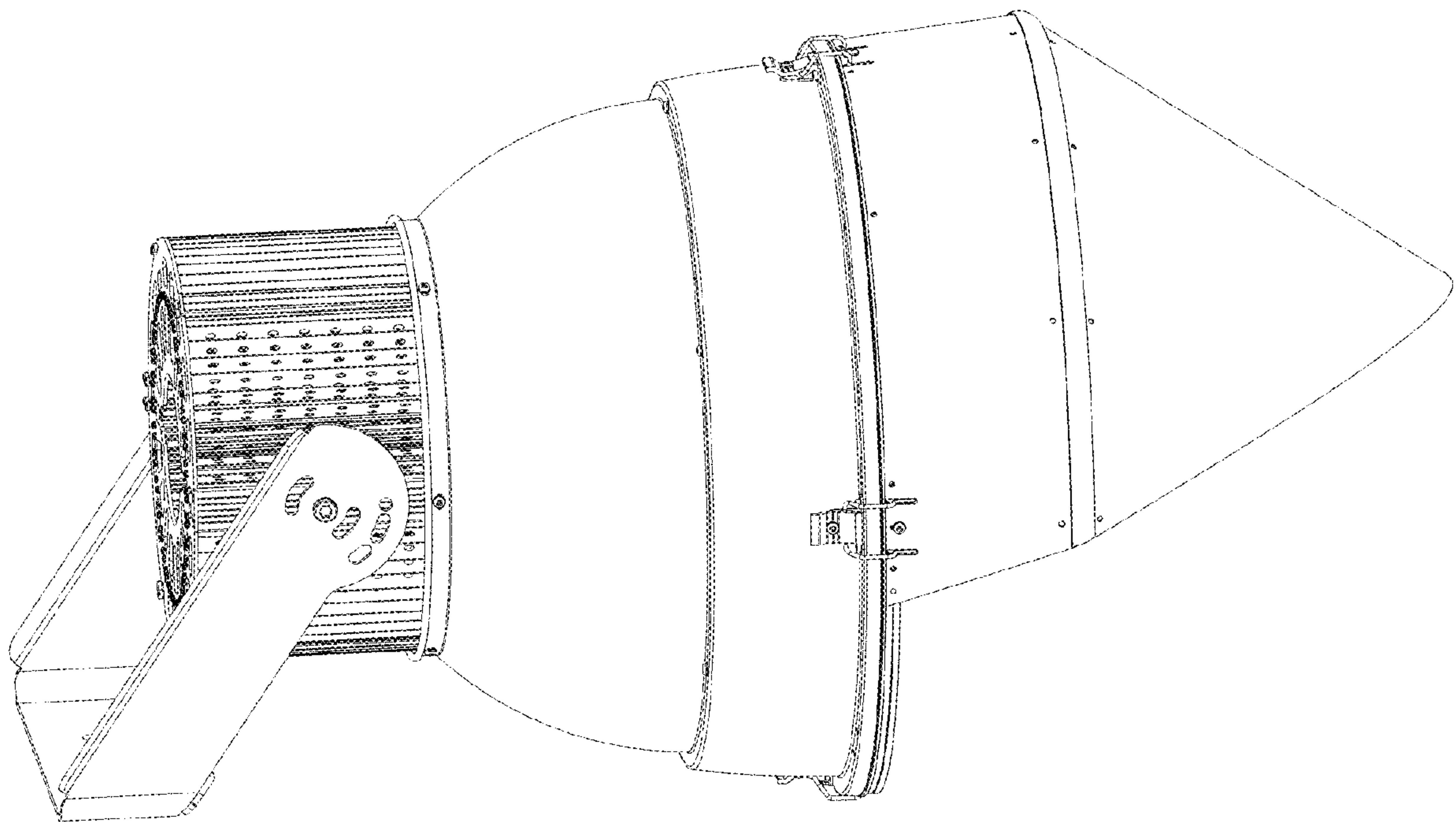


FIG. 8

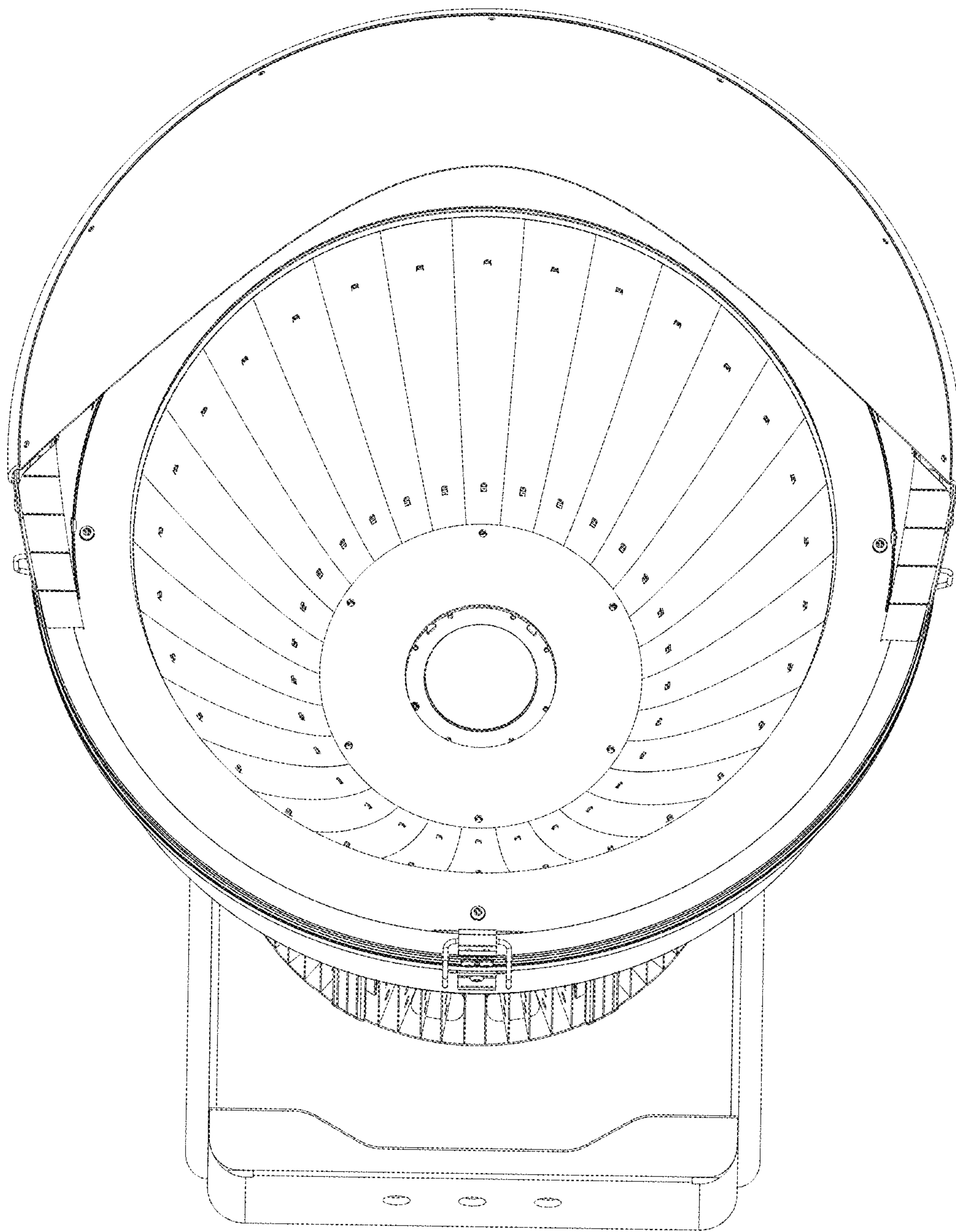


FIG. 9

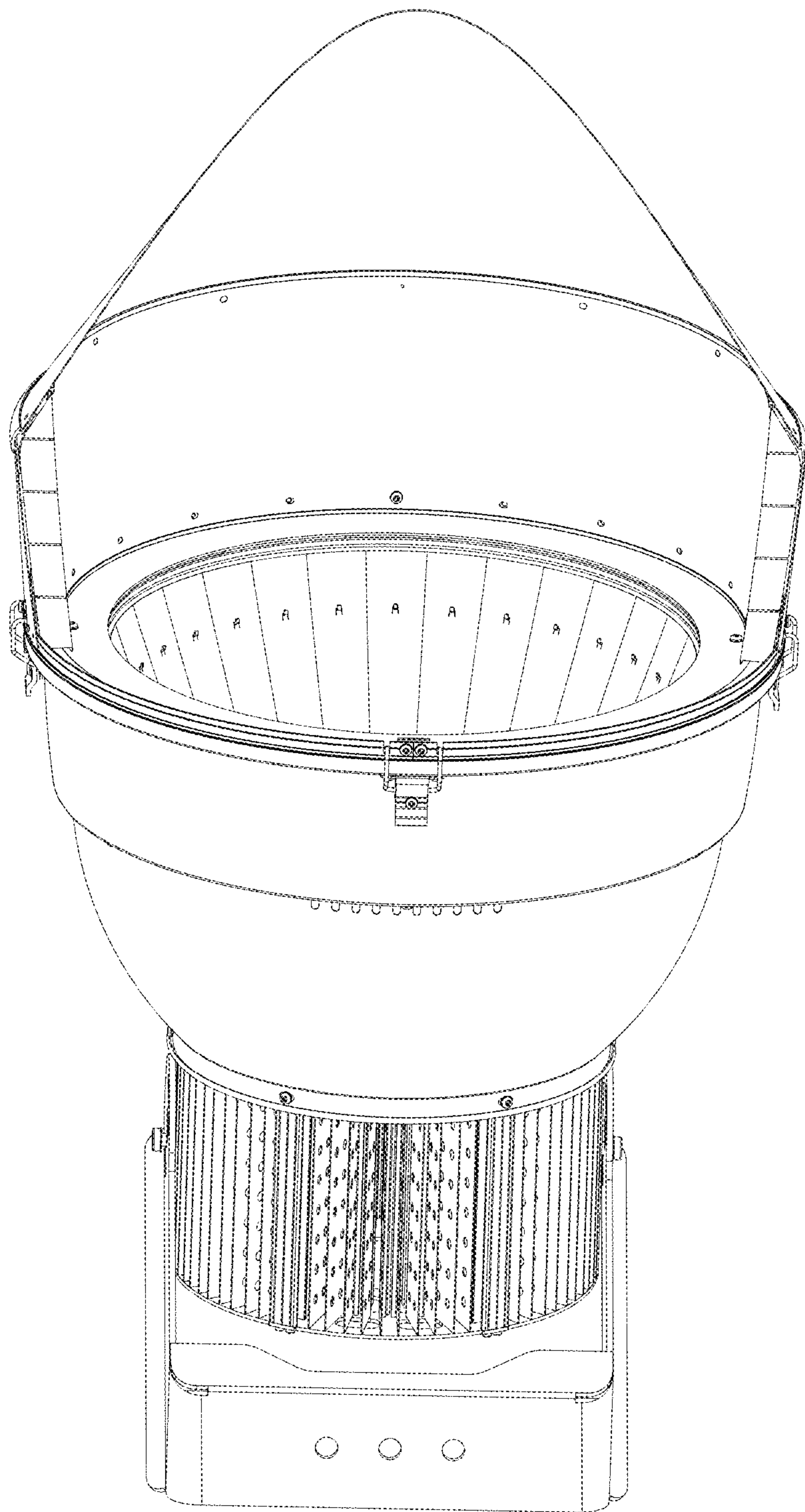


FIG.10

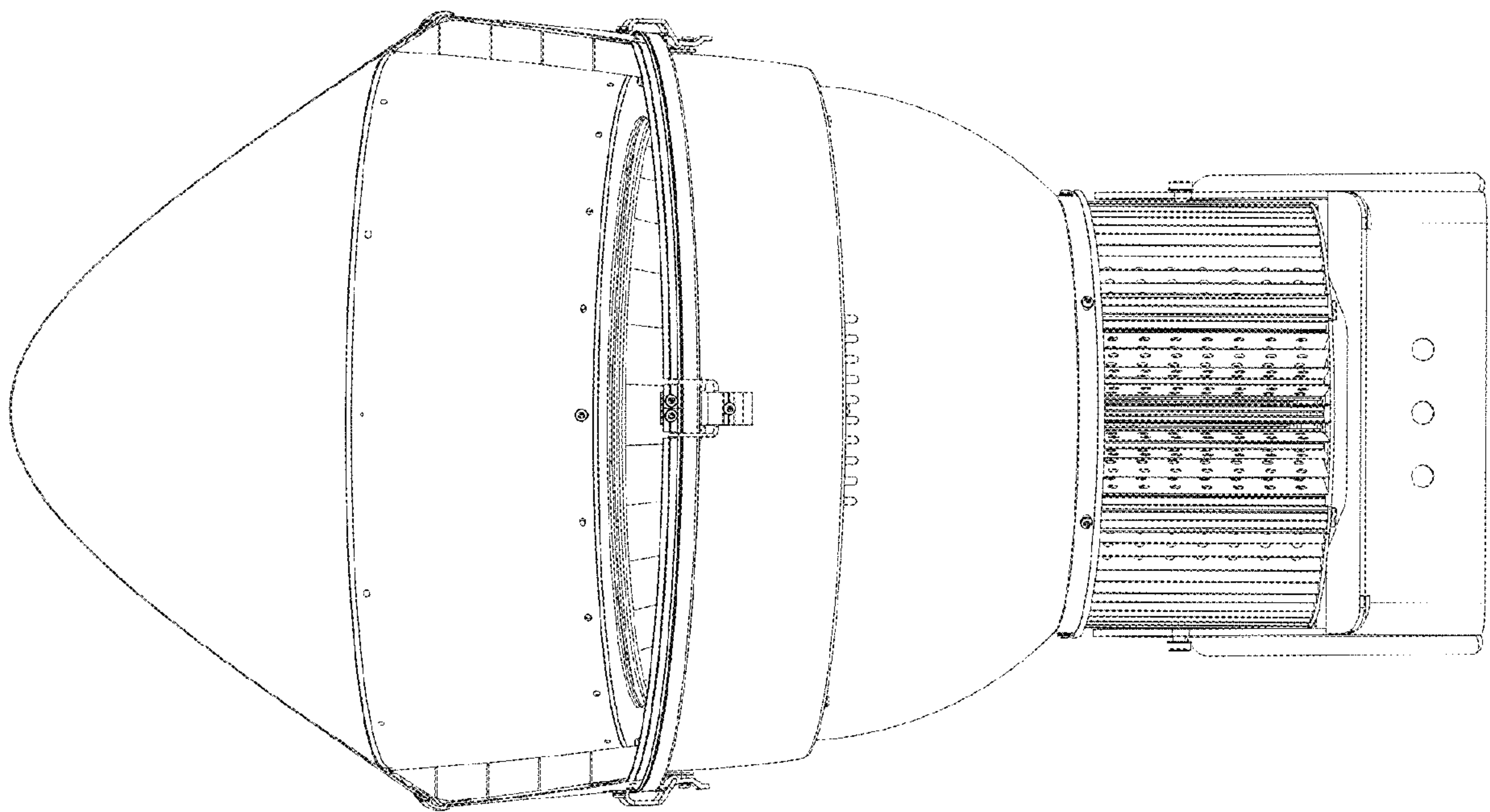


FIG.11

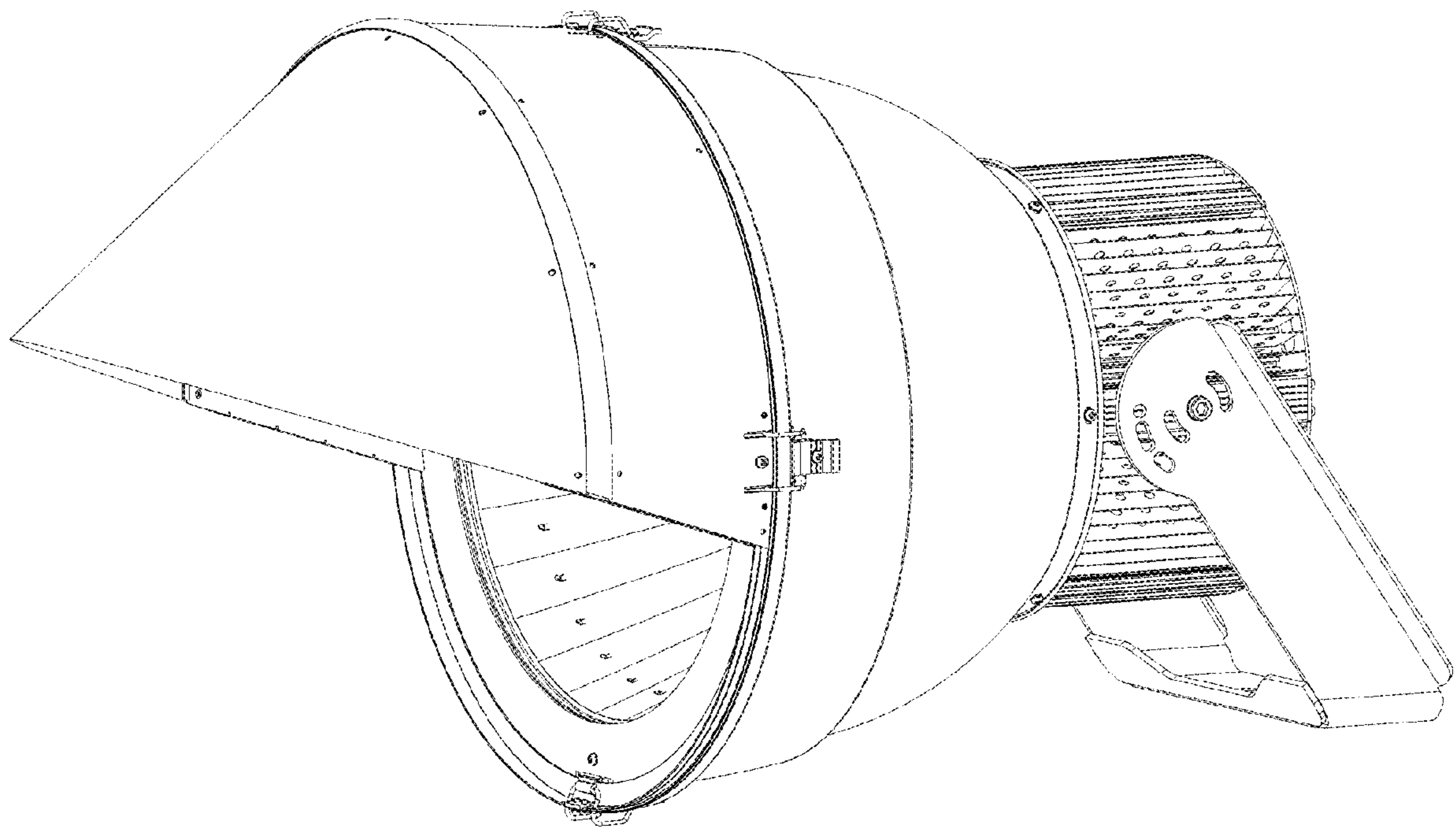


FIG.12

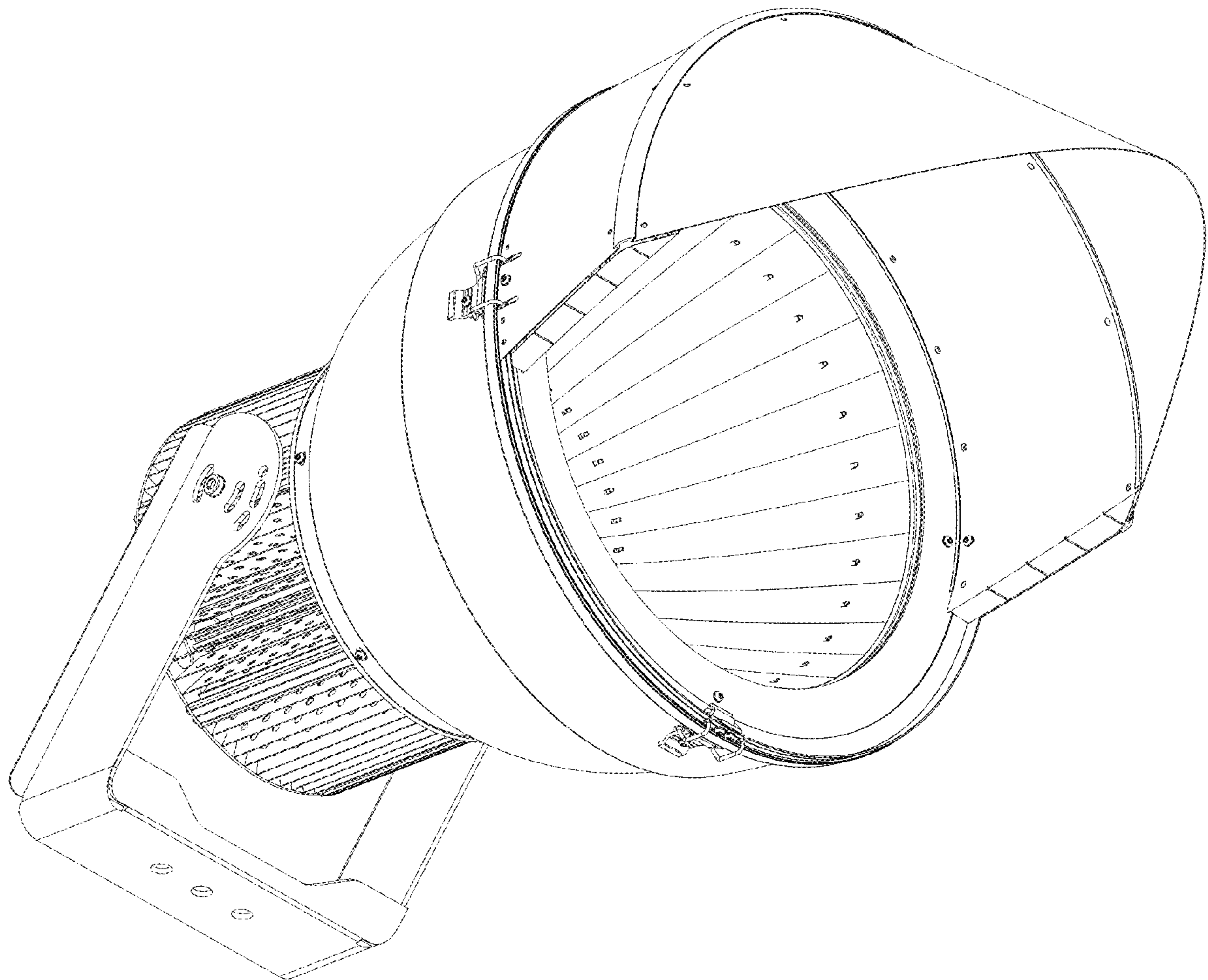


FIG.13

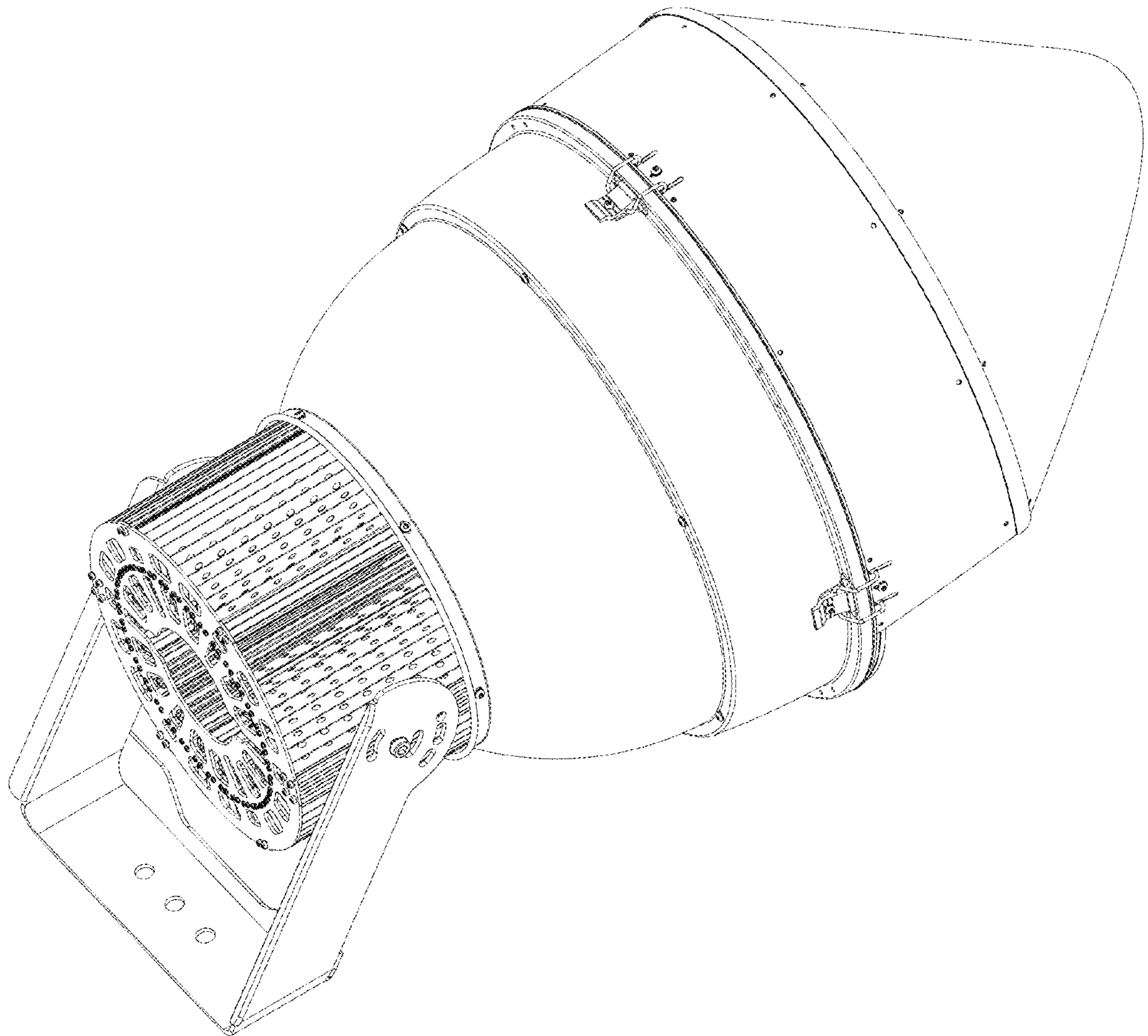


FIG.14

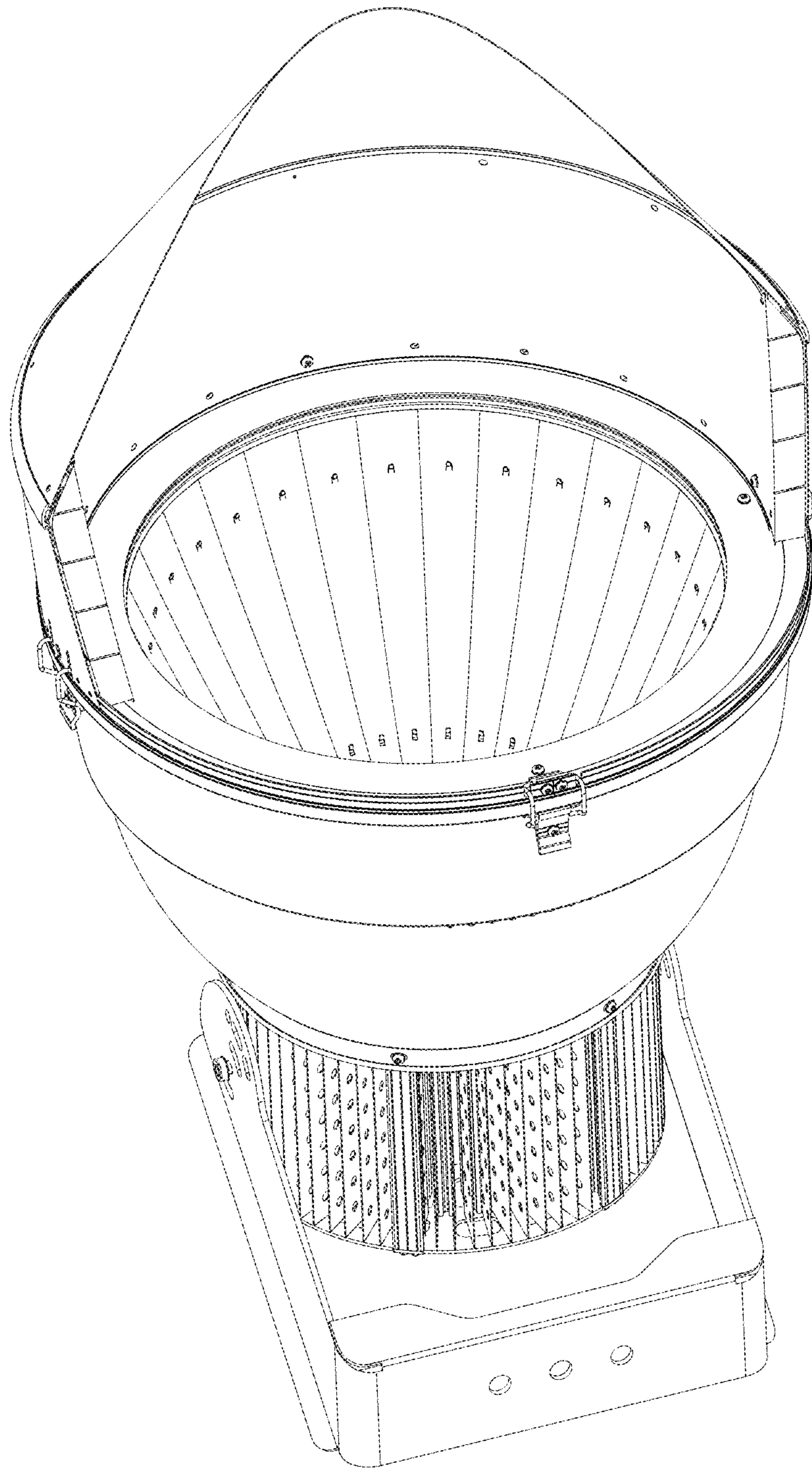


FIG.15

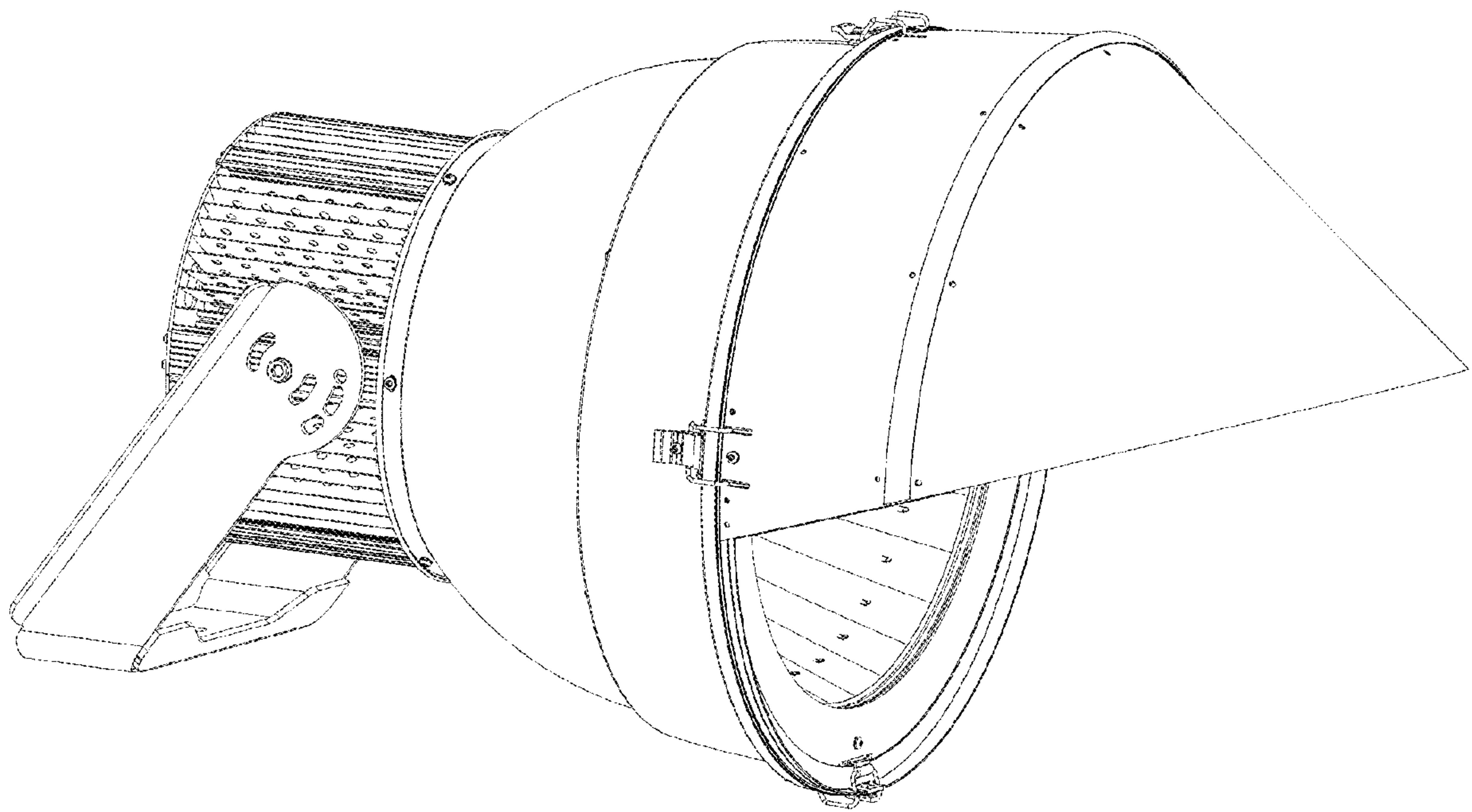


FIG.16

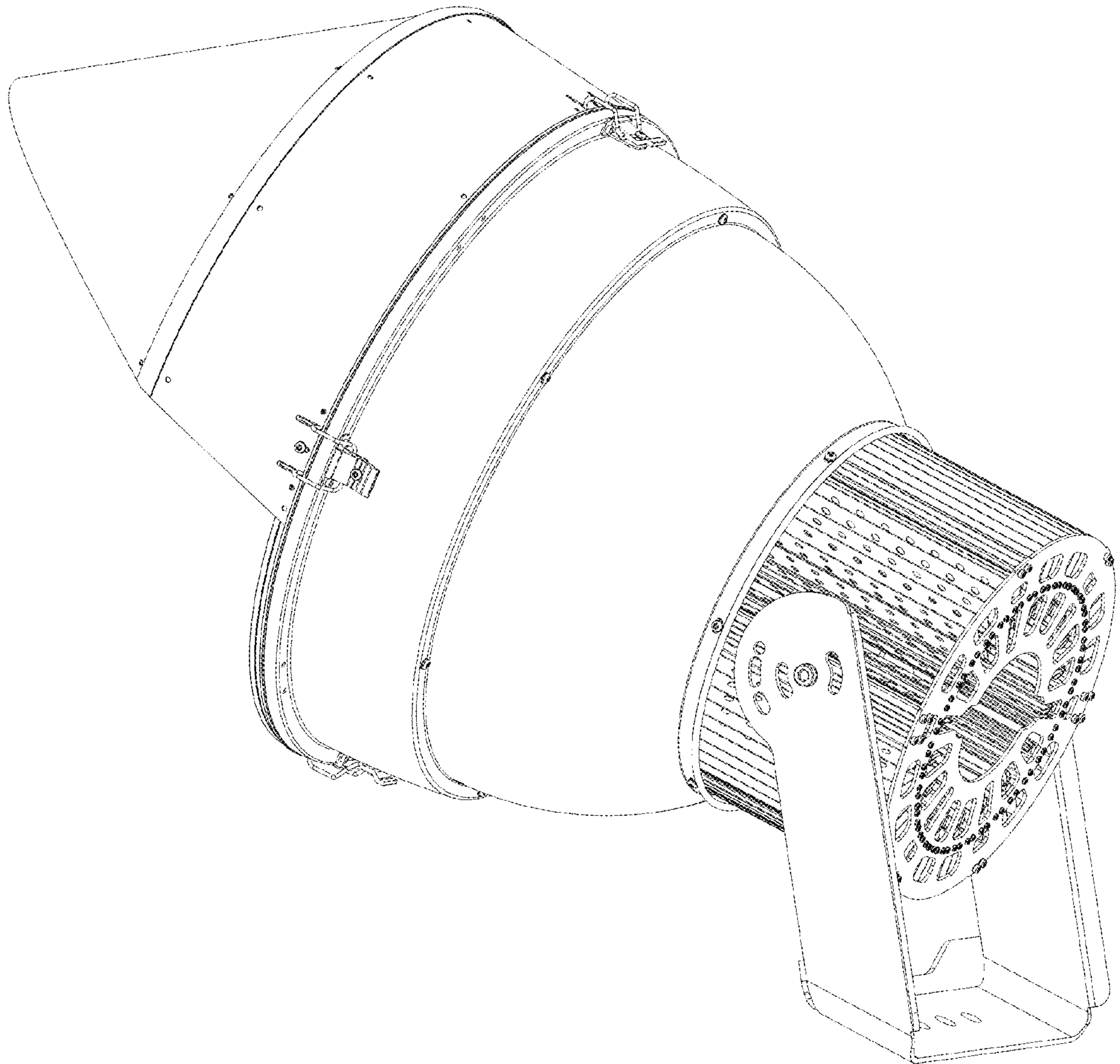


FIG.17

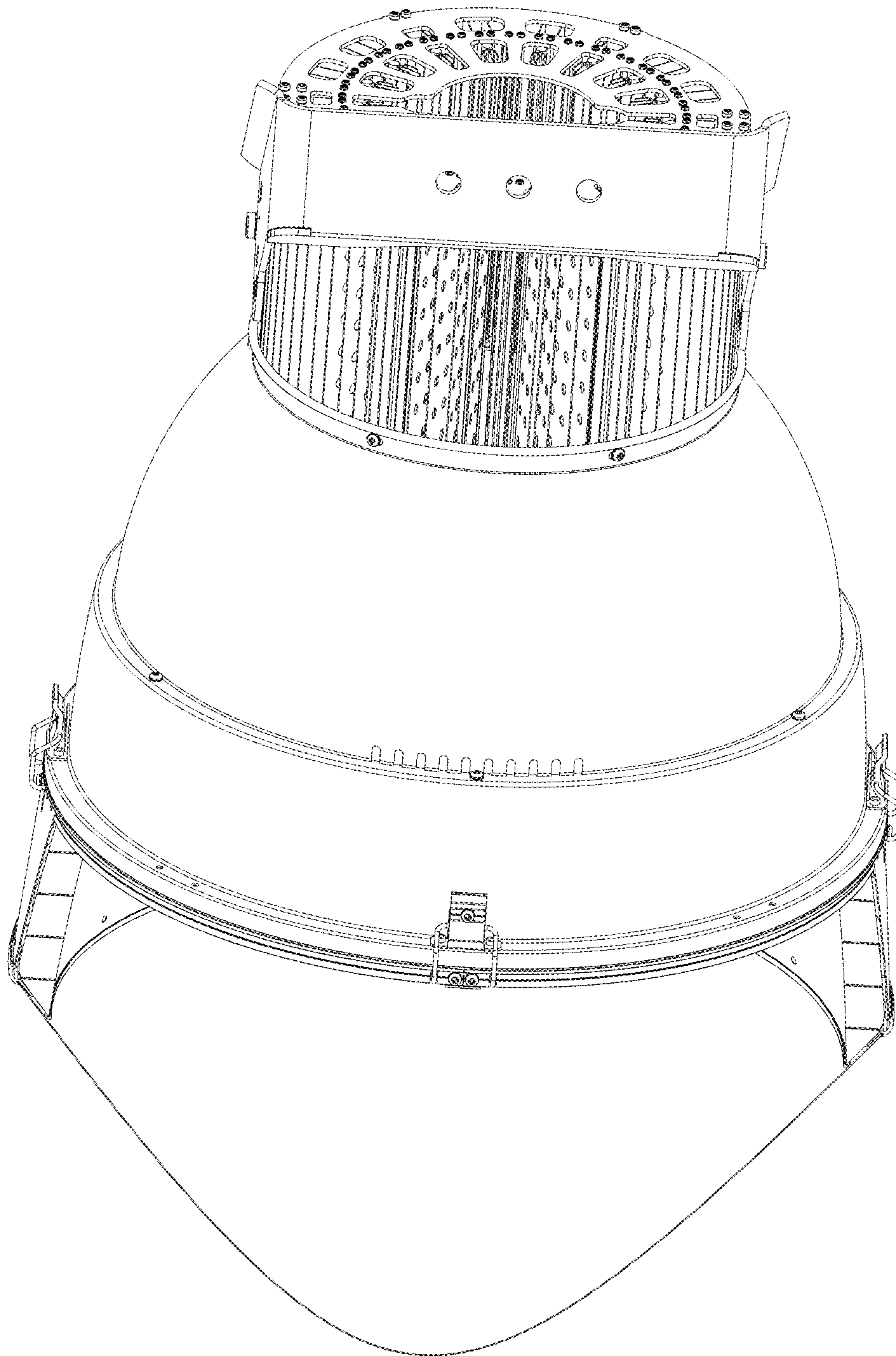


FIG.18