



US00D982205S

(12) **United States Design Patent**
Xu

(10) **Patent No.:** **US D982,205 S**
(45) **Date of Patent:** **** Mar. 28, 2023**

- (54) **GRILLE LIGHT**
- (71) Applicant: **HIGH FLYING TRADE CO., LIMITED**, Guangzhou (CN)
- (72) Inventor: **Yongzheng Xu**, Guangzhou (CN)
- (73) Assignee: **HIGH FLYING TRADE CO., LIMITED**, Guangzhou (CN)
- (**) Term: **15 Years**
- (21) Appl. No.: **29/831,363**
- (22) Filed: **Mar. 18, 2022**
- (51) **LOC (14) Cl.** **26-05**
- (52) **U.S. Cl.**
USPC **D26/60; D26/28**
- (58) **Field of Classification Search**
USPC D26/24, 28-36, 60-66, 113, 138-139;
D13/168
CPC B60Q 1/2661; B60Q 1/28; B60Q 1/2615;
B60Q 1/0035; B60R 19/52; B60R
2019/525; B60R 2011/005; F21S 43/14
See application file for complete search history.

D733,948 S *	7/2015	Liao	D26/60
D752,252 S *	3/2016	Ruthling	D26/60
D787,739 S *	5/2017	Gittin, Jr.	D26/139
D804,066 S *	11/2017	Chen	D26/28
D820,486 S *	6/2018	Shen	D26/28
D831,267 S	10/2018	Gittin et al.		
D900,363 S *	10/2020	Liu	D26/28
D914,615 S *	3/2021	Yi	D13/168
D956,295 S *	6/2022	Liu	D26/24

* cited by examiner

Primary Examiner — Mark A Goodwin
Assistant Examiner — William B Melliar
(74) *Attorney, Agent, or Firm* — ScienBiziP, P.C.

(57) **CLAIM**

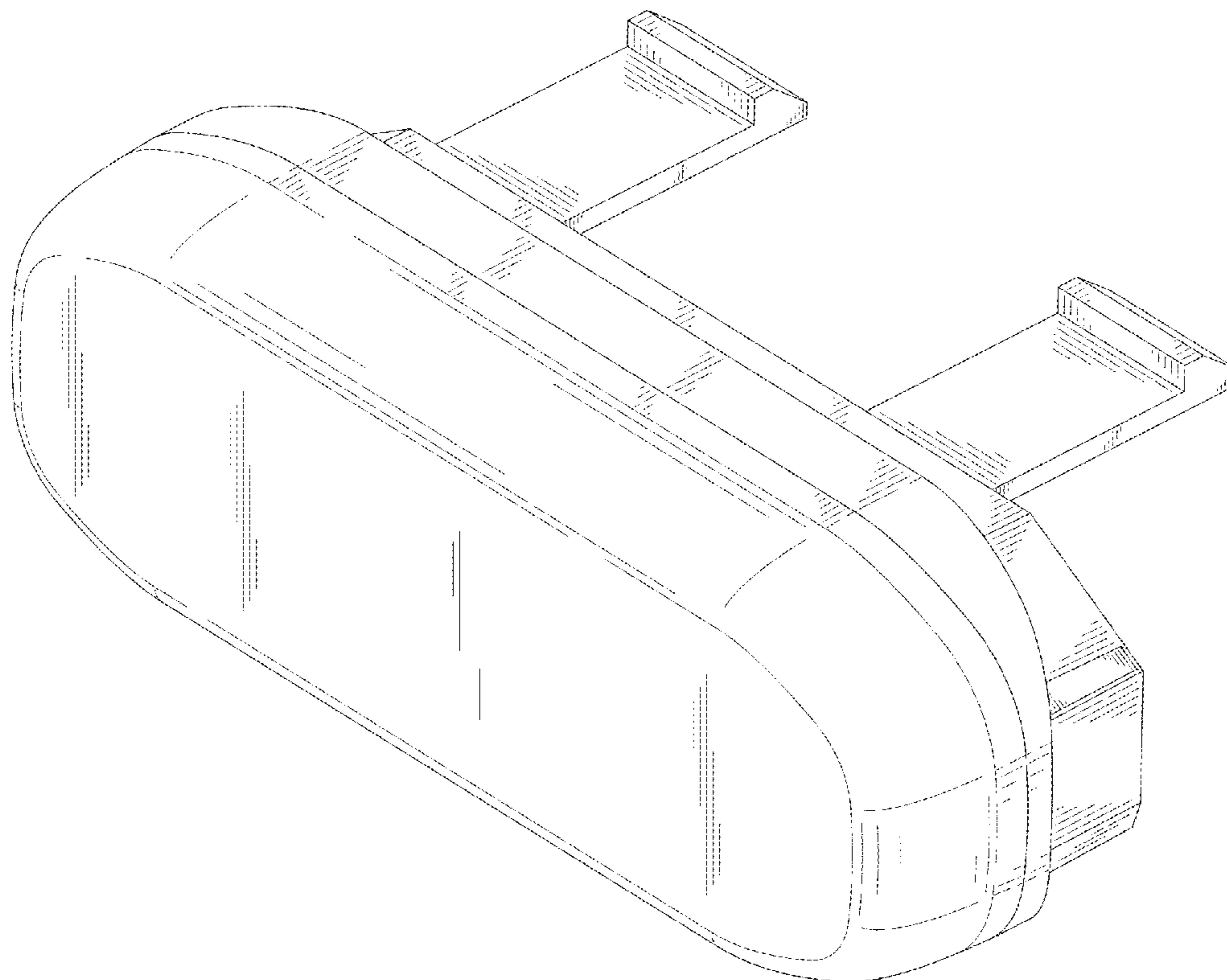
The ornamental design for a grille light, as shown and described.

DESCRIPTION

FIG. 1 is a front, right and top perspective view of a grille light, showing my design.
FIG. 2 is a rear, left and bottom perspective view thereof.
FIG. 3 is a front elevation view thereof.
FIG. 4 is a rear elevation view thereof.
FIG. 5 is a left side elevation view thereof.
FIG. 6 is a right side elevation view thereof.
FIG. 7 is a top plan view thereof; and,
FIG. 8 is a bottom plan view thereof.
The broken lines in the drawings depict portions of the grille light that form no part of the claimed design.

1 Claim, 8 Drawing Sheets

- (56) **References Cited**
U.S. PATENT DOCUMENTS
D269,210 S * 5/1983 Cutlip D26/24
D500,153 S * 12/2004 Stephens D26/28
D701,982 S * 4/2014 Kwon D26/28
D733,946 S * 7/2015 Chen D26/28



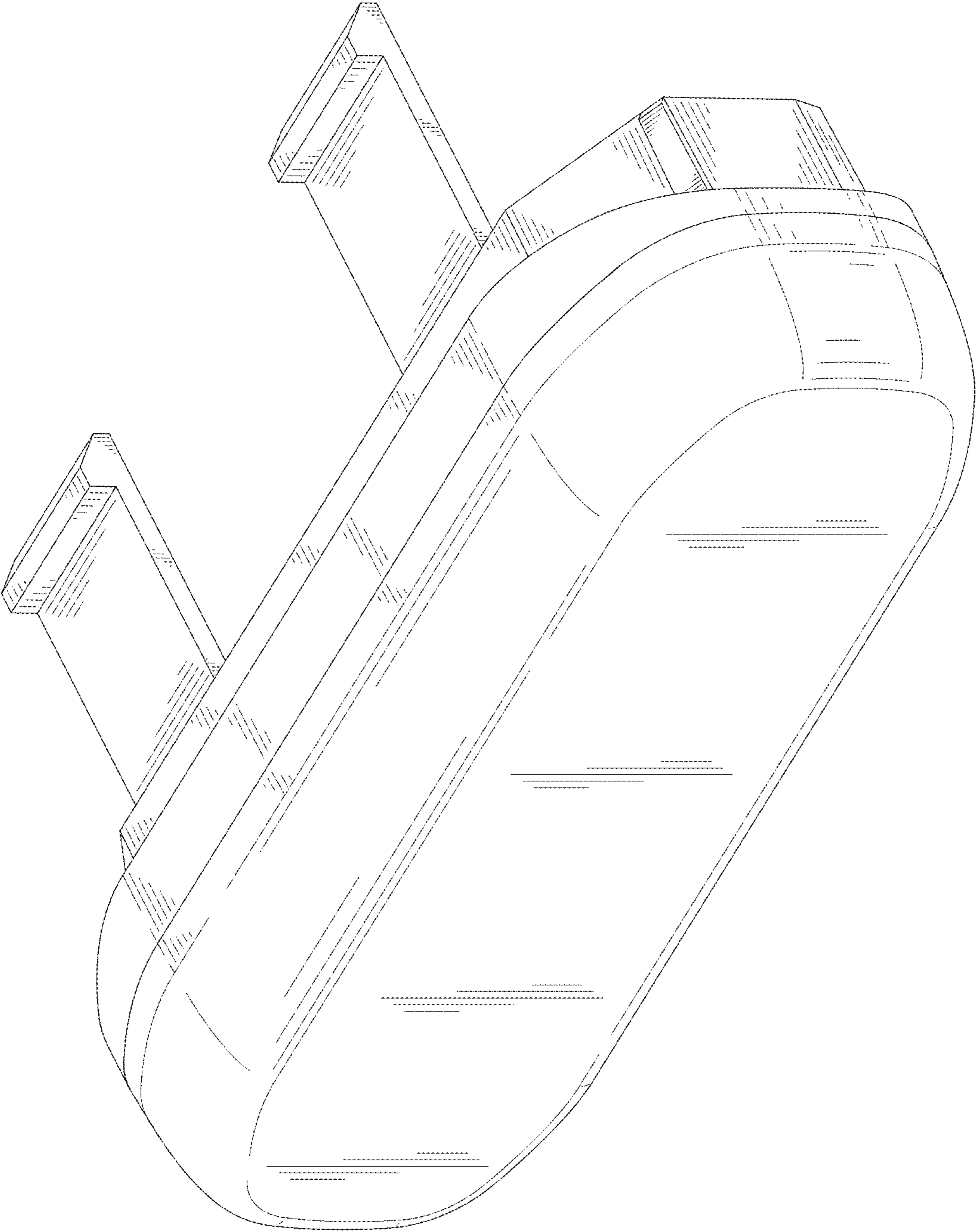


FIG. 1

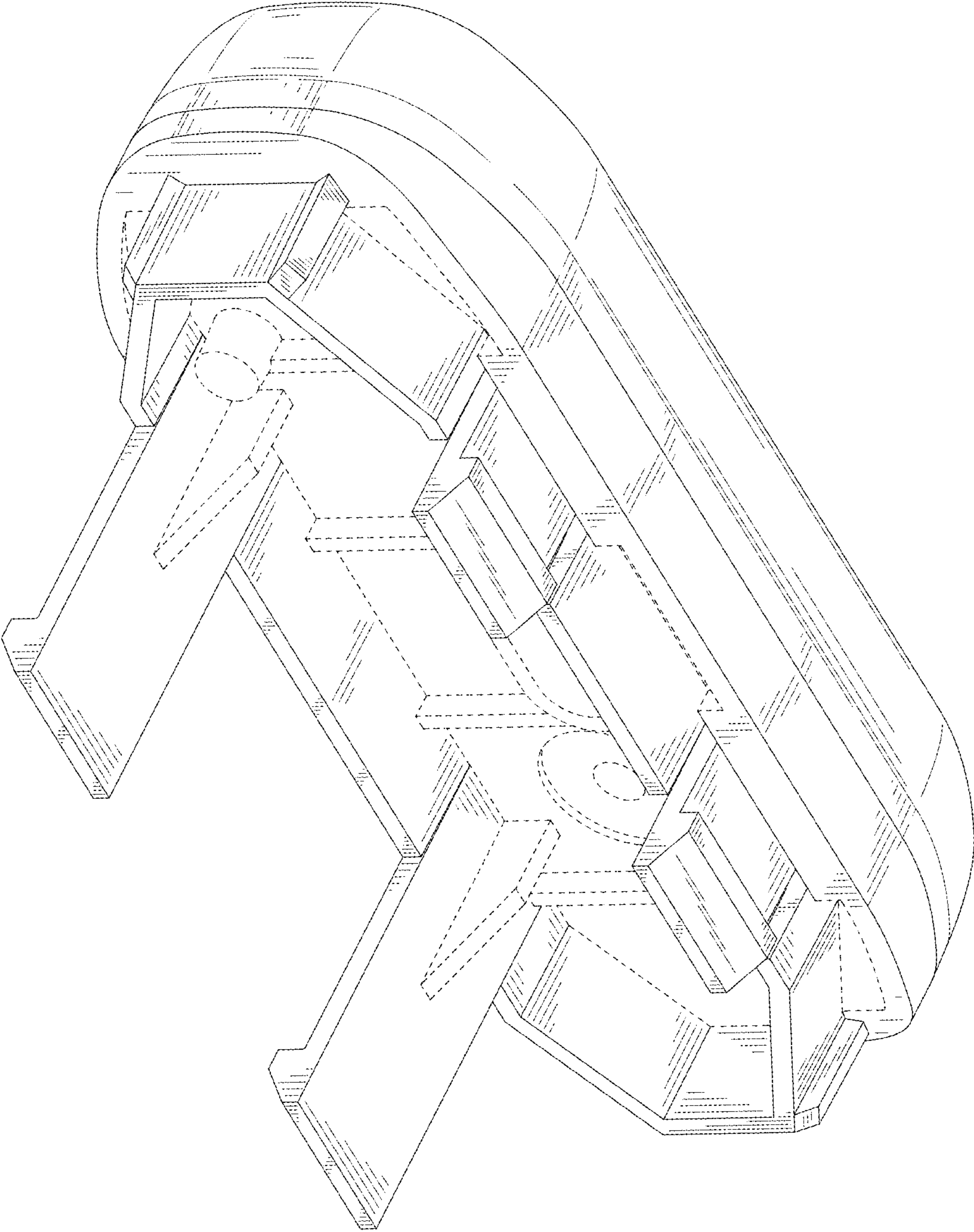


FIG. 2

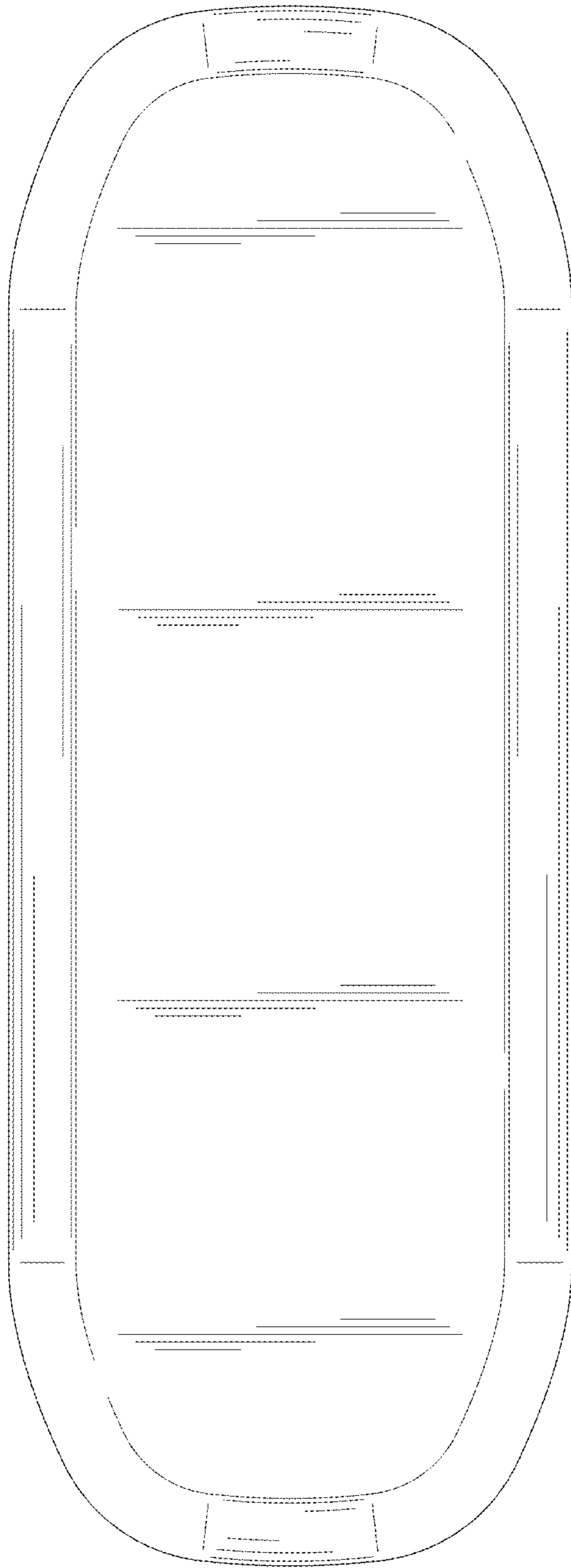


FIG. 3

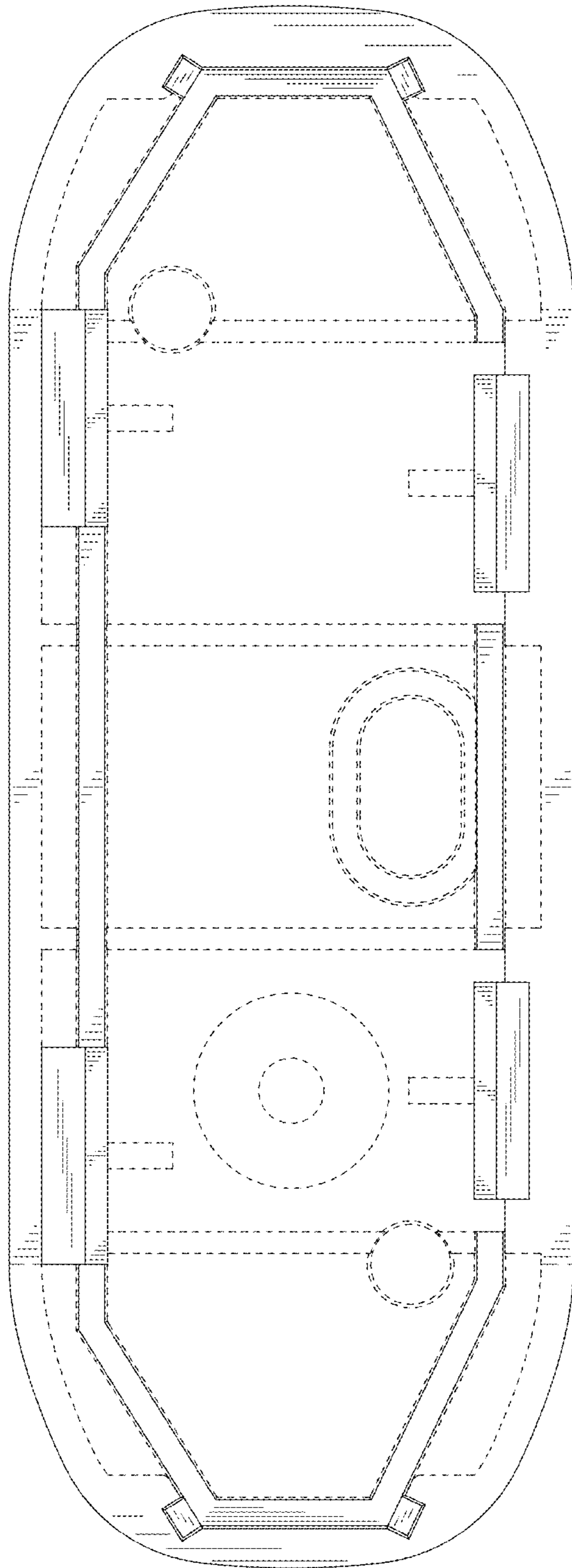


FIG. 4

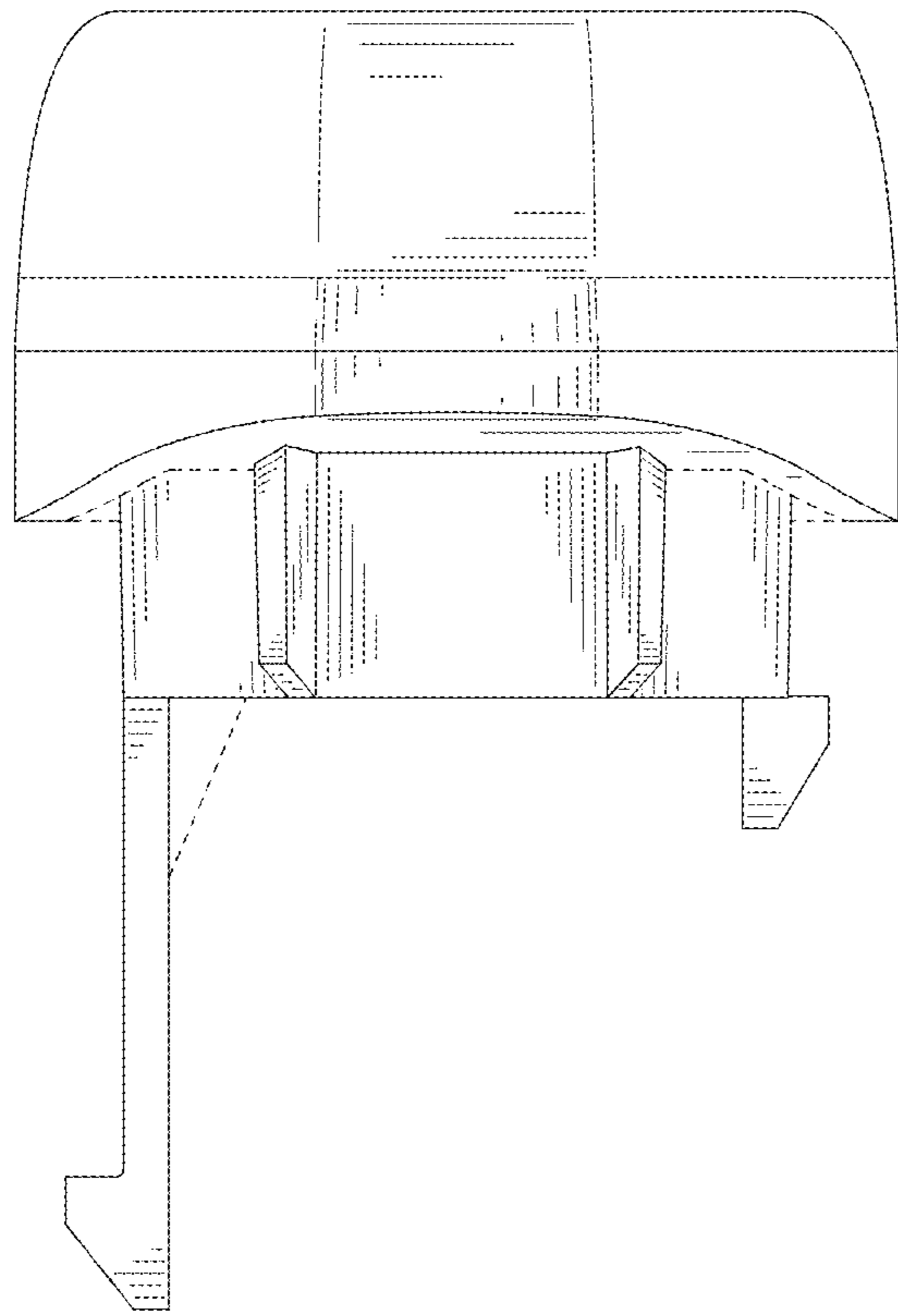


FIG. 5

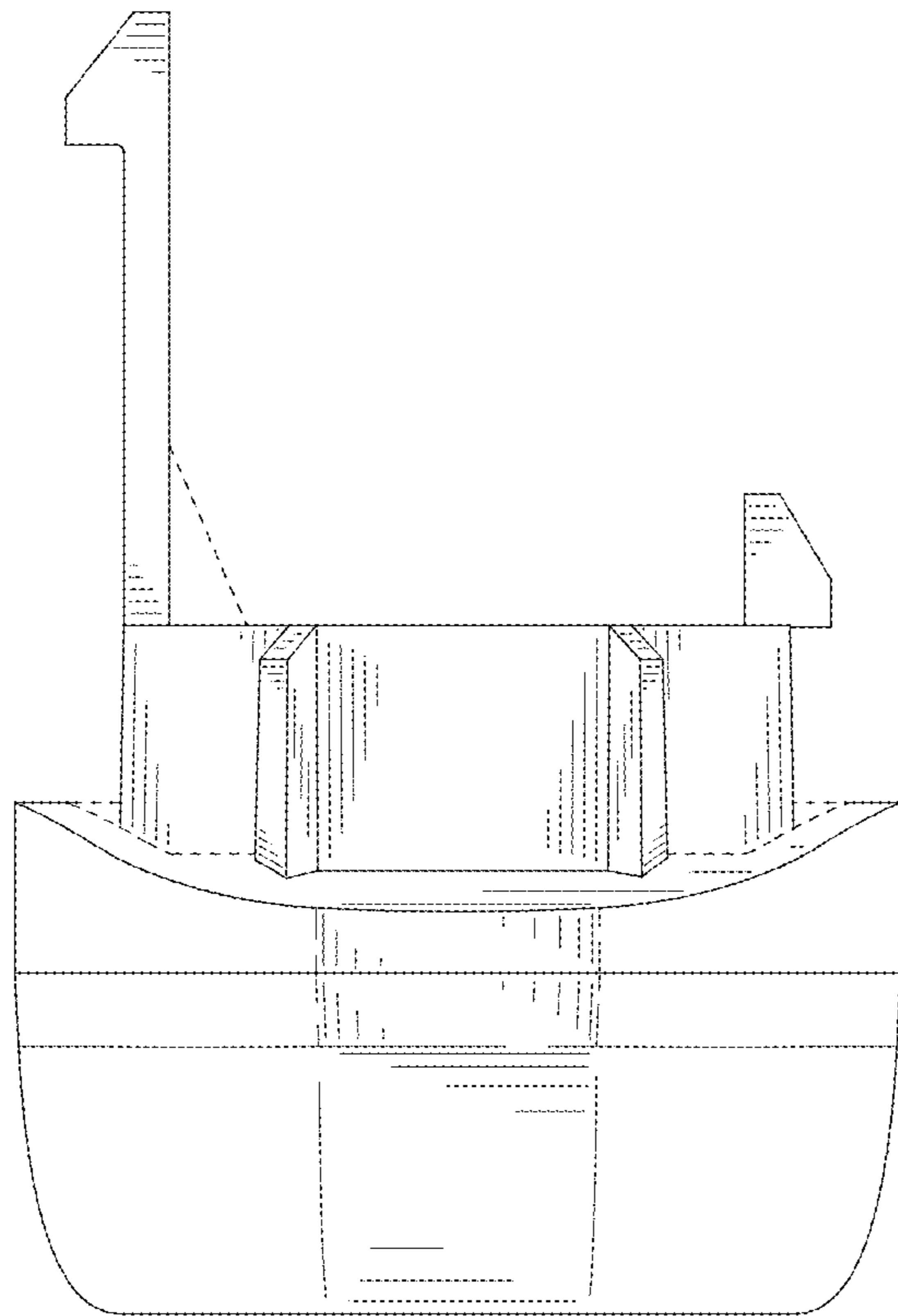


FIG. 6



FIG. 7

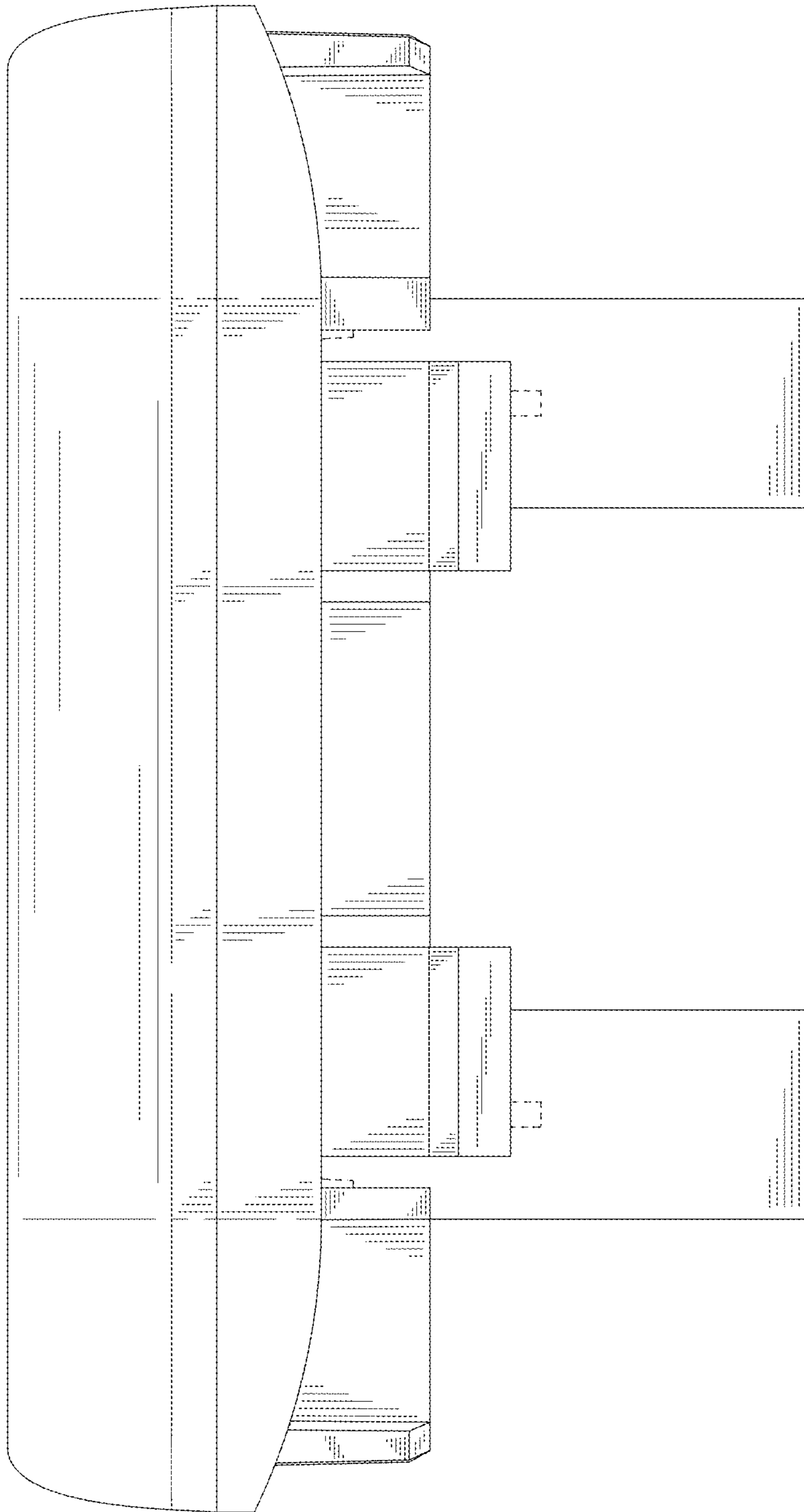


FIG. 8