



US00D982204S

(12) **United States Design Patent**
Zhou

(10) **Patent No.:** **US D982,204 S**
(45) **Date of Patent:** **** Mar. 28, 2023**

(54) **COMBINED PROJECTOR LAMP AND SPEAKER**

D749,056 S * 2/2016 Xin D14/214
D752,558 S * 3/2016 Cheng D14/221
D766,219 S * 9/2016 Yau D14/221

(Continued)

(71) Applicant: **Muzhi Zhou**, Hunan (CN)

(72) Inventor: **Muzhi Zhou**, Hunan (CN)

(**) Term: **15 Years**

(21) Appl. No.: **29/810,126**

(22) Filed: **Oct. 1, 2021**

(51) **LOC (14) Cl.** **26-05**

(52) **U.S. Cl.**
USPC **D26/52; D26/51**

(58) **Field of Classification Search**
USPC D26/37-38, 41-44, 46; D14/188, 204,
D14/221

CPC H04R 1/02; H04R 1/021; H04R 1/025;
H04R 1/026; H04R 1/028; H04R 1/403;
H04R 1/2803; H04R 1/2834; H04R 5/02;
H04R 9/06; H04R 19/013; H04R
2400/00; F21V 33/0048; F21V 33/0052;
F21V 33/0056; F21V 33/0004; F21V
15/00; F21V 15/01; F21V 17/164; F21V
23/026; F21S 8/02; F21S 8/03; F21S
8/04; F21S 8/06; F21S 8/026; F21S
8/046; F21S 8/088; F21S 8/033; F21S
8/37; F21S 8/048; F21S 8/083; F21S 2/00

See application file for complete search history.

(56) **References Cited**

U.S. PATENT DOCUMENTS

D348,744 S 7/1994 Johnson et al.
D448,103 S * 9/2001 Yuen H04R 31/006
D26/42
D474,301 S 5/2003 Seal
D658,159 S * 4/2012 Janky D14/214
D659,676 S * 5/2012 Aquillano D14/214
D735,168 S * 7/2015 Cheng D14/221
D736,745 S * 8/2015 Yau D14/221

FOREIGN PATENT DOCUMENTS

CA 161911 * 5/2015
GB 6163440 * 9/2021

OTHER PUBLICATIONS

“Sony SRS-XB21 Portable Wireless Bluetooth Speaker,” Mar. 21, 2018, amazon.com, site visited Sep. 28, 2022, URL: <https://www.amazon.com/Sony-SRS-XB21-Portable-Bluetooth-SRSXB21/dp/B079VBL6WV> (Year: 2018).*

(Continued)

Primary Examiner — Christy Nemeth

Assistant Examiner — Sarah L Smith

(57) **CLAIM**

The ornamental design for a combined projector lamp and speaker, as shown and described.

DESCRIPTION

FIG. 1 is a perspective view of a combined projector lamp and speaker design showing my new design.

FIG. 2 is a front view of a combined projector lamp and speaker.

FIG. 3 is a rear view of a combined projector lamp and speaker.

FIG. 4 is a left side view of a combined projector lamp and speaker.

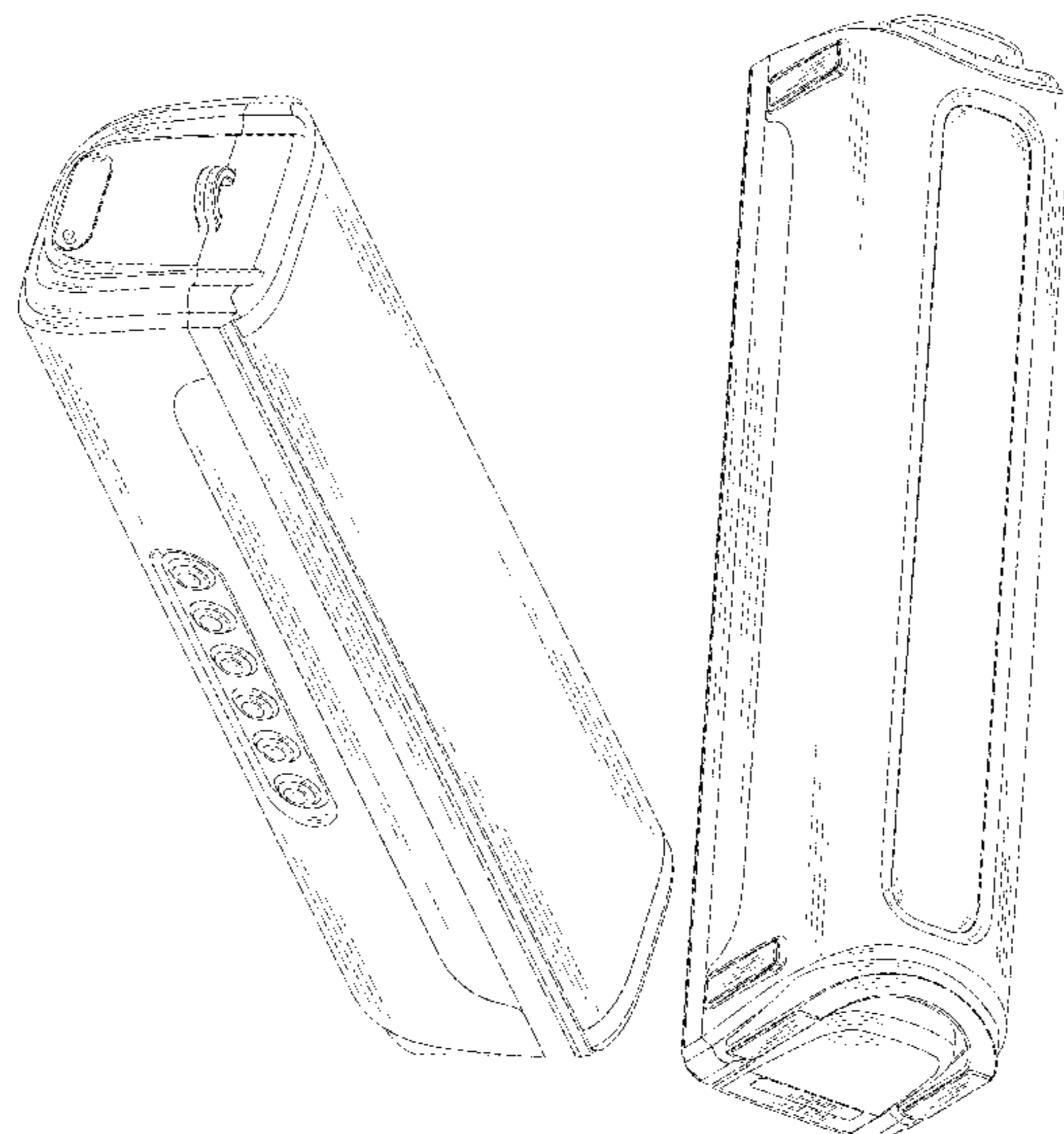
FIG. 5 is a right side view of a combined projector lamp and speaker.

FIG. 6 is a top view of a combined projector lamp and speaker.

FIG. 7 is a bottom view of a combined projector lamp and speaker; and,

FIG. 8 is a left side perspective view of a combined projector lamp and speaker.

1 Claim, 8 Drawing Sheets



(56)

References Cited

U.S. PATENT DOCUMENTS

D777,146 S * 1/2017 Cheng D14/221
 D821,358 S * 6/2018 Garfio D14/214
 D825,792 S * 8/2018 Johnson D26/24
 D831,248 S * 10/2018 Kuhls D26/37
 D863,255 S * 10/2019 Wang D14/214
 D863,409 S 10/2019 Wang et al.
 10,499,132 B1 * 12/2019 Gao H04R 7/16
 D878,648 S * 3/2020 Zhao D26/37
 D879,335 S 3/2020 Lin
 D880,564 S 4/2020 Kao et al.
 D881,806 S * 4/2020 Schmidt D13/107
 D886,777 S * 6/2020 Bunning D14/204
 D887,035 S 6/2020 Rice et al.
 D890,836 S 7/2020 Wang et al.
 D904,657 S * 12/2020 Proeber D26/42
 D916,045 S * 4/2021 Wu D14/204
 11,035,556 B2 * 6/2021 Proeber F21V 21/0885
 D924,836 S * 7/2021 Brown D14/204
 D925,081 S * 7/2021 Ke D26/37
 D930,212 S 9/2021 Liu
 D931,202 S * 9/2021 Lai D27/162
 D950,124 S * 4/2022 Goossens D26/63

2005/0032490 A1* 2/2005 Chun F21V 33/0052
 455/127.5
 2009/0252364 A1* 10/2009 Saito H04R 1/403
 381/355
 2015/0195635 A1* 7/2015 Garfio H04R 31/006
 381/386
 2020/0213693 A1* 7/2020 Yin H04R 1/025

OTHER PUBLICATIONS

“Bluetooth Speaker, DOSS E-go II,” Apr. 11, 2018, amazon.com, site visited Sep. 28, 2022, URL: <https://www.amazon.com/DOSS-Portable-Bluetooth-Waterproof-Computers/dp/B07C3TLB58/?th=1> (Year: 2018).*

“Bluetooth Speaker, DOSS SoundBox Pro,” Jul. 30, 2018, amazon.com, site visited Sep. 28, 2022, URL: <https://www.amazon.com/DOSS-SoundBox-Pro-Bluetooth-Waterproof/dp/B07DMMG7QY/?th=1> (Year: 2018).*

“Sony SRS-XB | How to setup ‘Party Booster’ function,” Jul. 12, 2018, youtube.com, site visited Sep. 28, 2022, URL: https://www.youtube.com/watch?v=lb3WD_KWRmE (Year: 2018).*

* cited by examiner

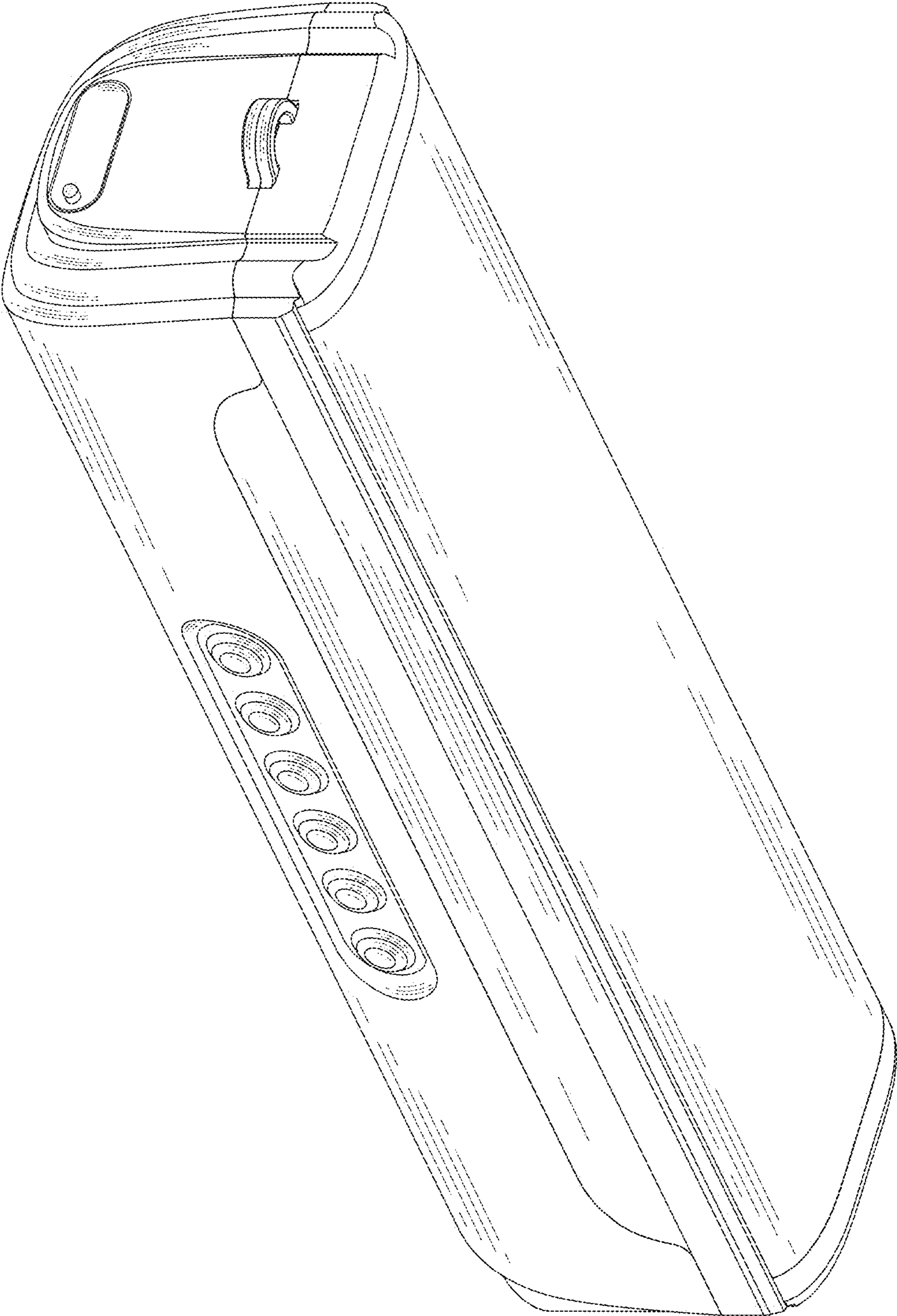


FIG. 1

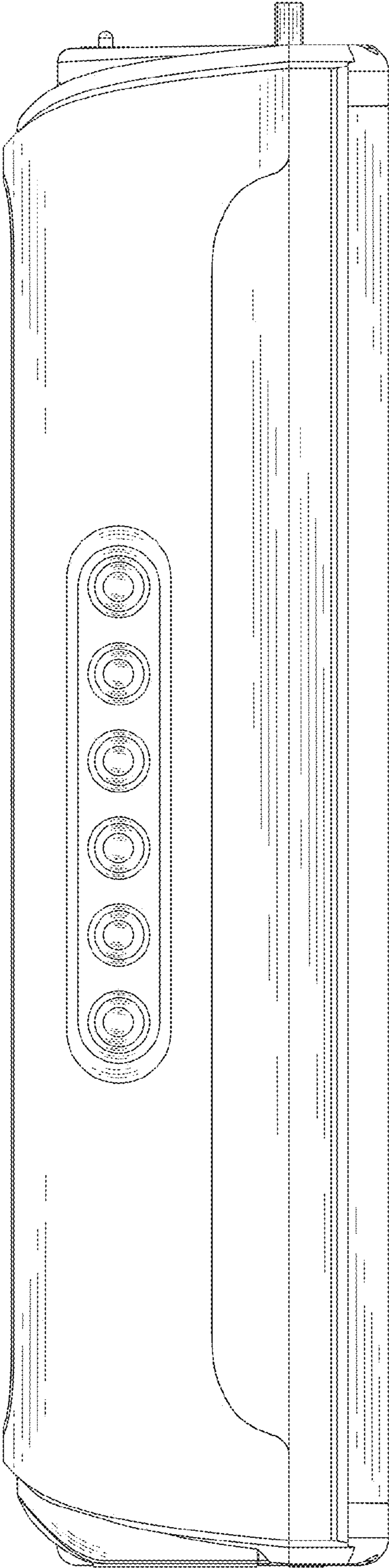


FIG. 2

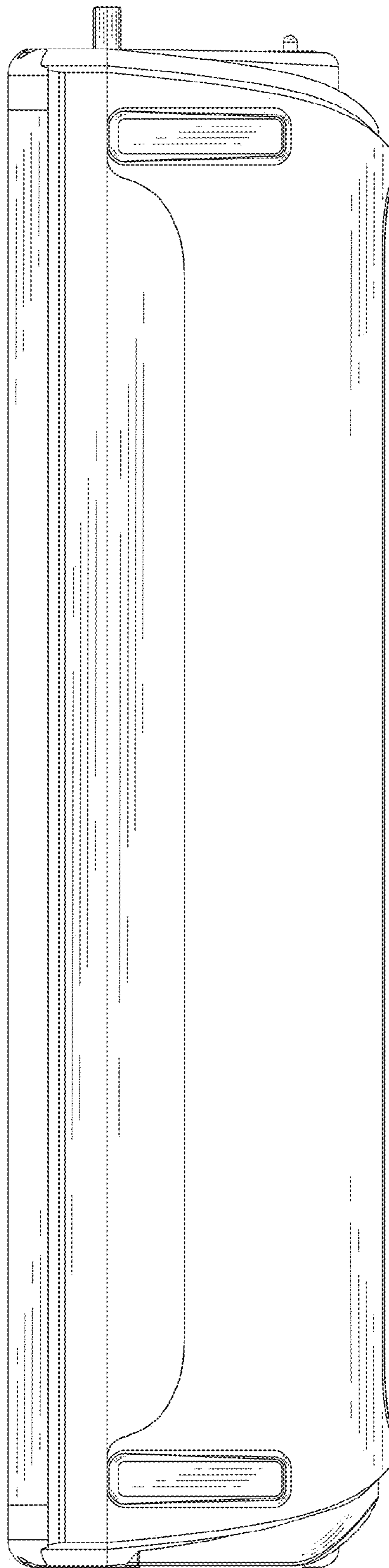


FIG. 3

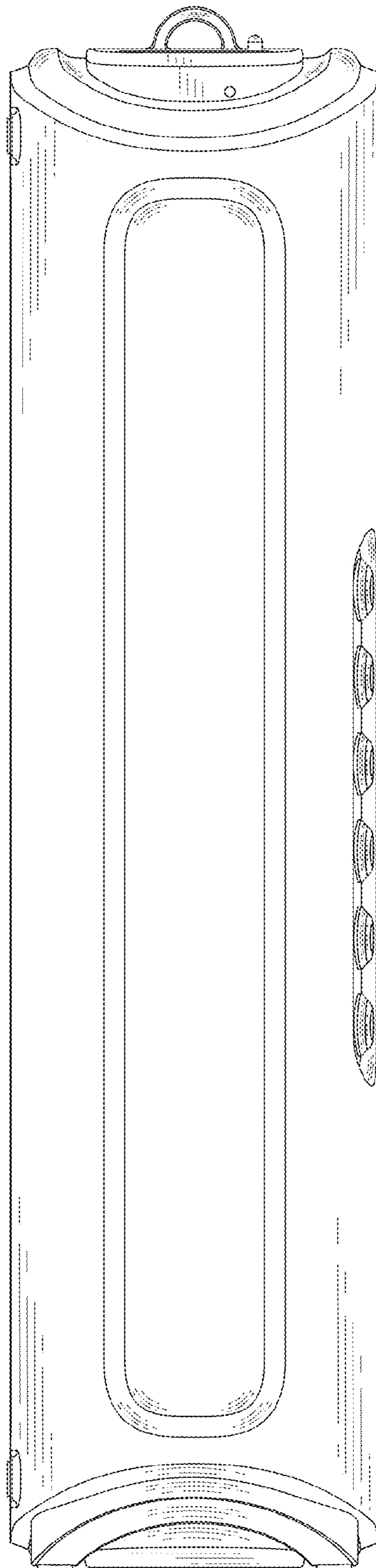


FIG. 4

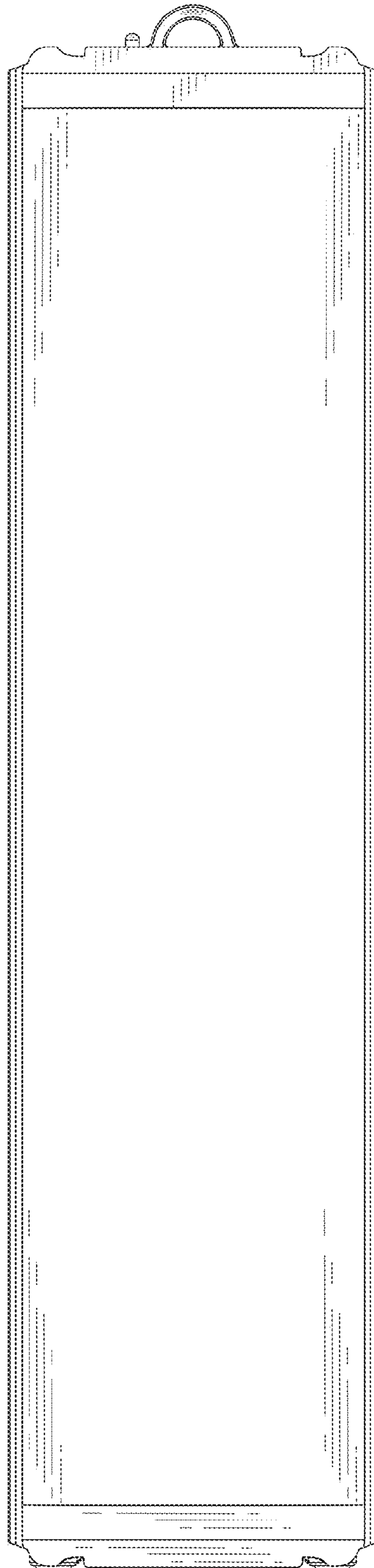


FIG. 5

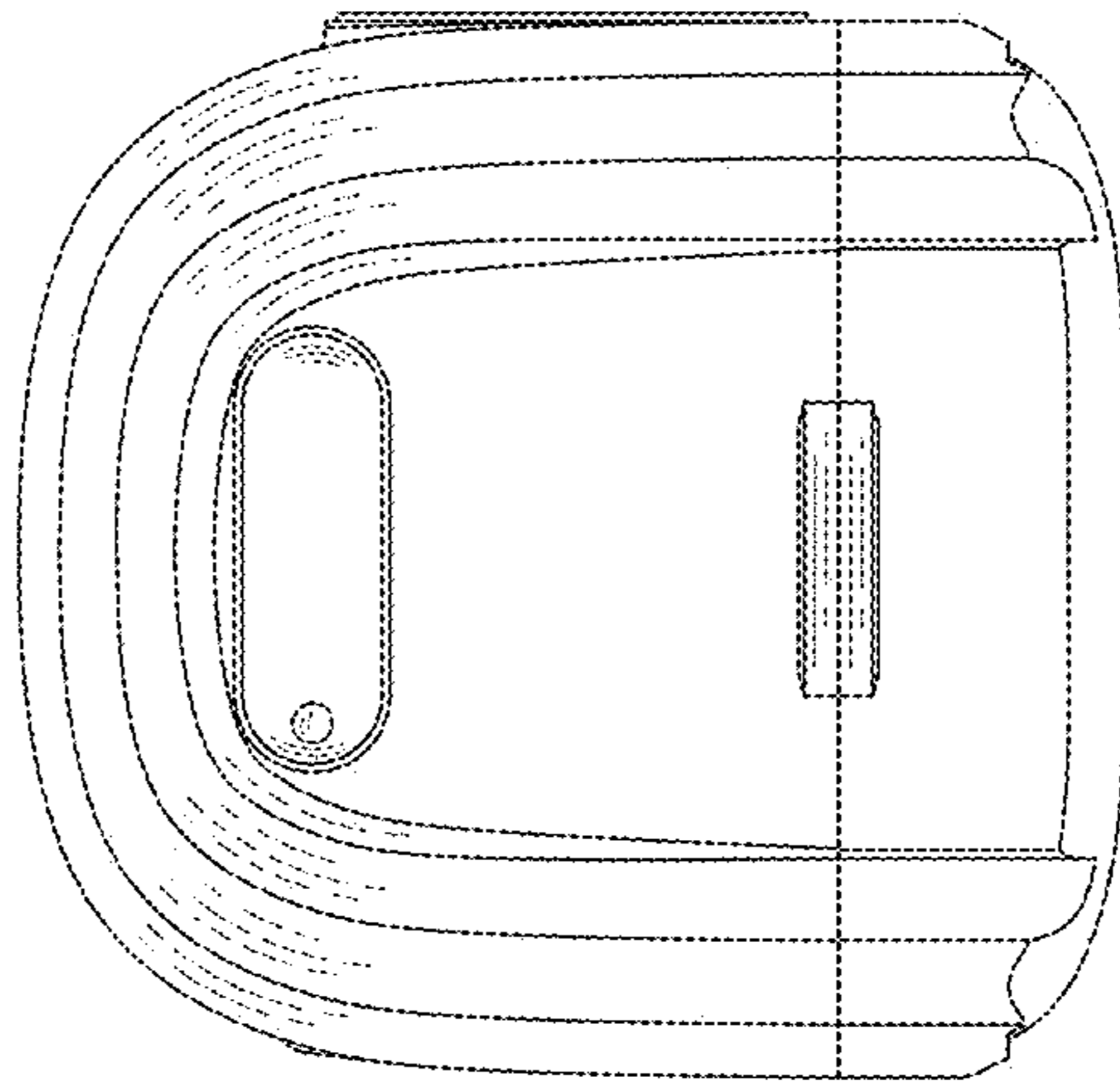


FIG. 6

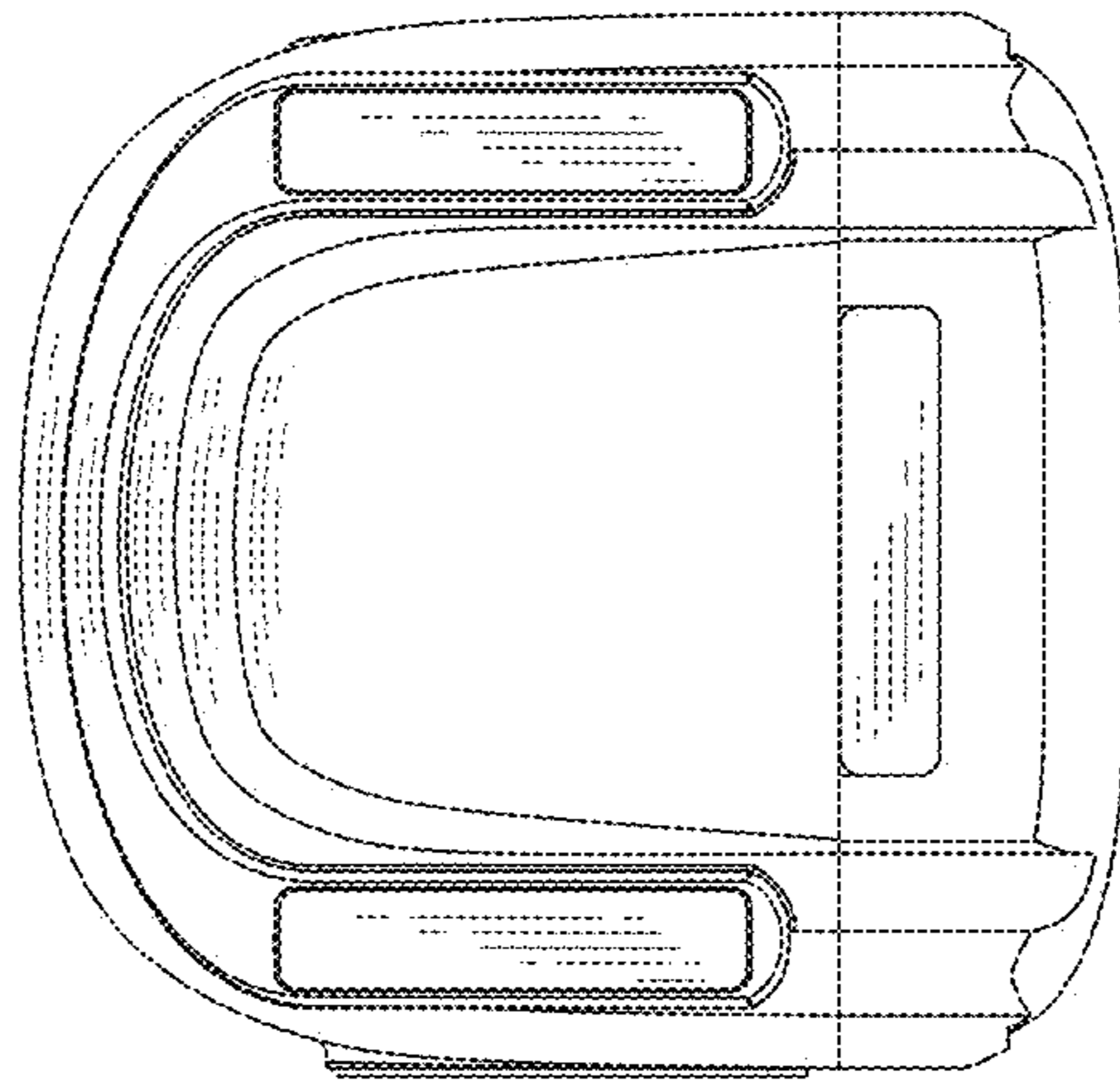


FIG. 7

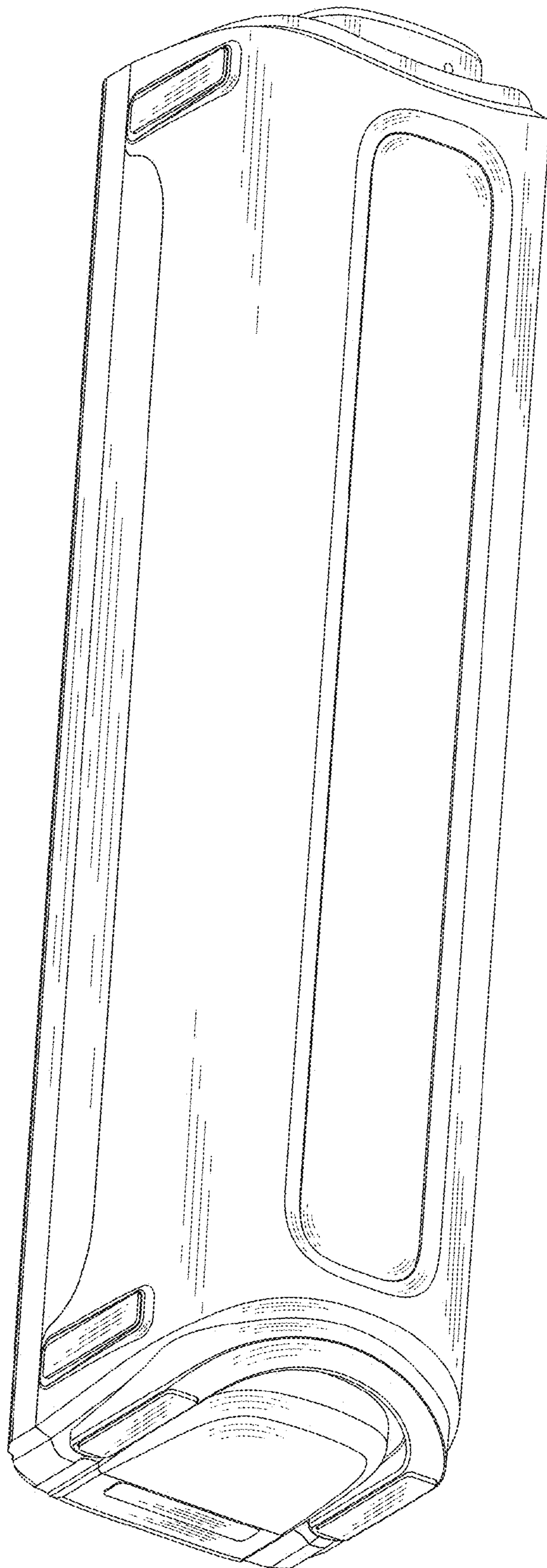


FIG. 8