



US00D982203S

(12) **United States Design Patent**
Xiang

(10) **Patent No.:** **US D982,203 S**

(45) **Date of Patent:** **** Mar. 28, 2023**

(54) **WHITE NOISE LIGHT**

(71) Applicant: **Yuanhang Xiang**, Chongqing (CN)

(72) Inventor: **Yuanhang Xiang**, Chongqing (CN)

(**) Term: **15 Years**

(21) Appl. No.: **29/736,911**

(22) Filed: **Jun. 4, 2020**

(51) **LOC (14) Cl.** **26-05**

(52) **U.S. Cl.**
USPC **D26/52; D26/93; D14/204; D10/5;**
D24/210

(58) **Field of Classification Search**
USPC **D26/24, 37-52, 60, 93, 104-107, 113,**
D26/118-119, 138; D14/168, 172, 194,
D14/204, 221, 255; D10/5, 15, 22-23;
D24/210

CPC **G10K 11/17857; G10K 11/17873; G10K**
11/17817; G10K 11/17825; G10K
11/17854; G10K 11/17881; G10K
11/17885; G10K 15/04; G10K
2210/1081; G10K 2210/30231; G10K
2210/30232; G10K 2210/3045; G10K
2210/3049; G10K 11/175; G10K 11/1785;
G10K 15/02; G10K 2210/105

See application file for complete search history.

(56) **References Cited**

U.S. PATENT DOCUMENTS

D613,952 S * 4/2010 Yang D6/309
D690,455 S * 9/2013 Hagenauer D26/93

D735,875 S * 8/2015 Hagenauer D24/210
D844,457 S * 4/2019 Zhong D10/23
D860,494 S * 9/2019 Gebski D26/52
D862,731 S * 10/2019 Hu D24/231
D889,730 S * 7/2020 Lin D26/110
D911,597 S * 2/2021 Harmon D26/118
D924,465 S * 7/2021 Zhang D26/93
D933,040 S * 10/2021 Lin D14/204
D935,329 S * 11/2021 Xu D10/22
D935,641 S * 11/2021 Zhou D24/231
D939,749 S * 12/2021 Zhao D24/210
D952,217 S * 5/2022 Yi D14/204

* cited by examiner

Primary Examiner — Marissa J Cash
Assistant Examiner — William B Melliar

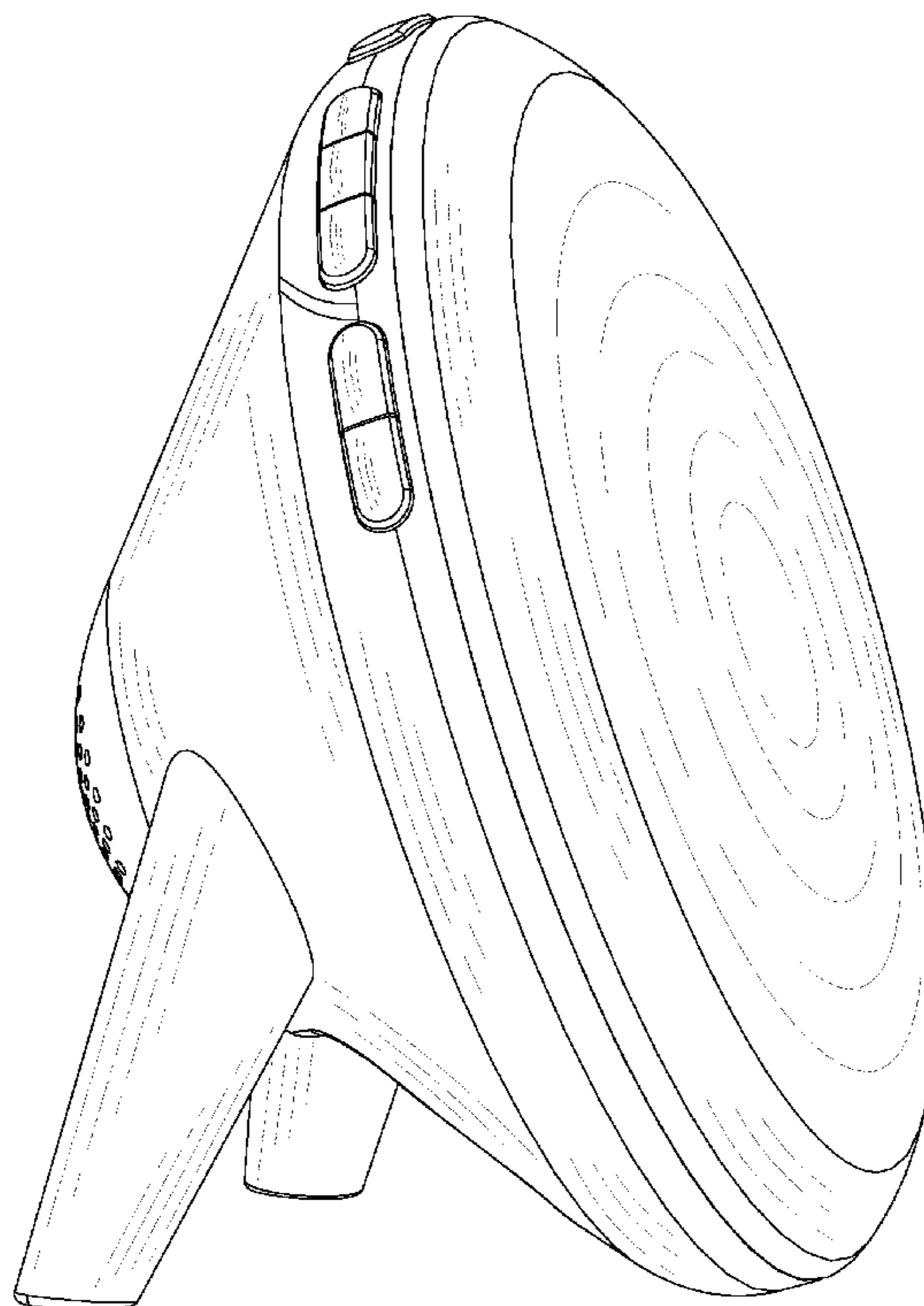
(57) **CLAIM**

The ornamental design for a white noise light, as shown and described.

DESCRIPTION

FIG. 1 is a front and left perspective view of a white noise light showing my new design;
FIG. 2 is a rear and right perspective view thereof;
FIG. 3 is a front elevation view thereof;
FIG. 4 is a rear elevation view thereof;
FIG. 5 is a left side elevation view thereof;
FIG. 6 is a right side elevation view thereof;
FIG. 7 is a top plan view thereof; and,
FIG. 8 is a bottom plan view thereof.
The broken lines in the drawings depict portions of the white noise light that form no part of the claimed design.

1 Claim, 8 Drawing Sheets



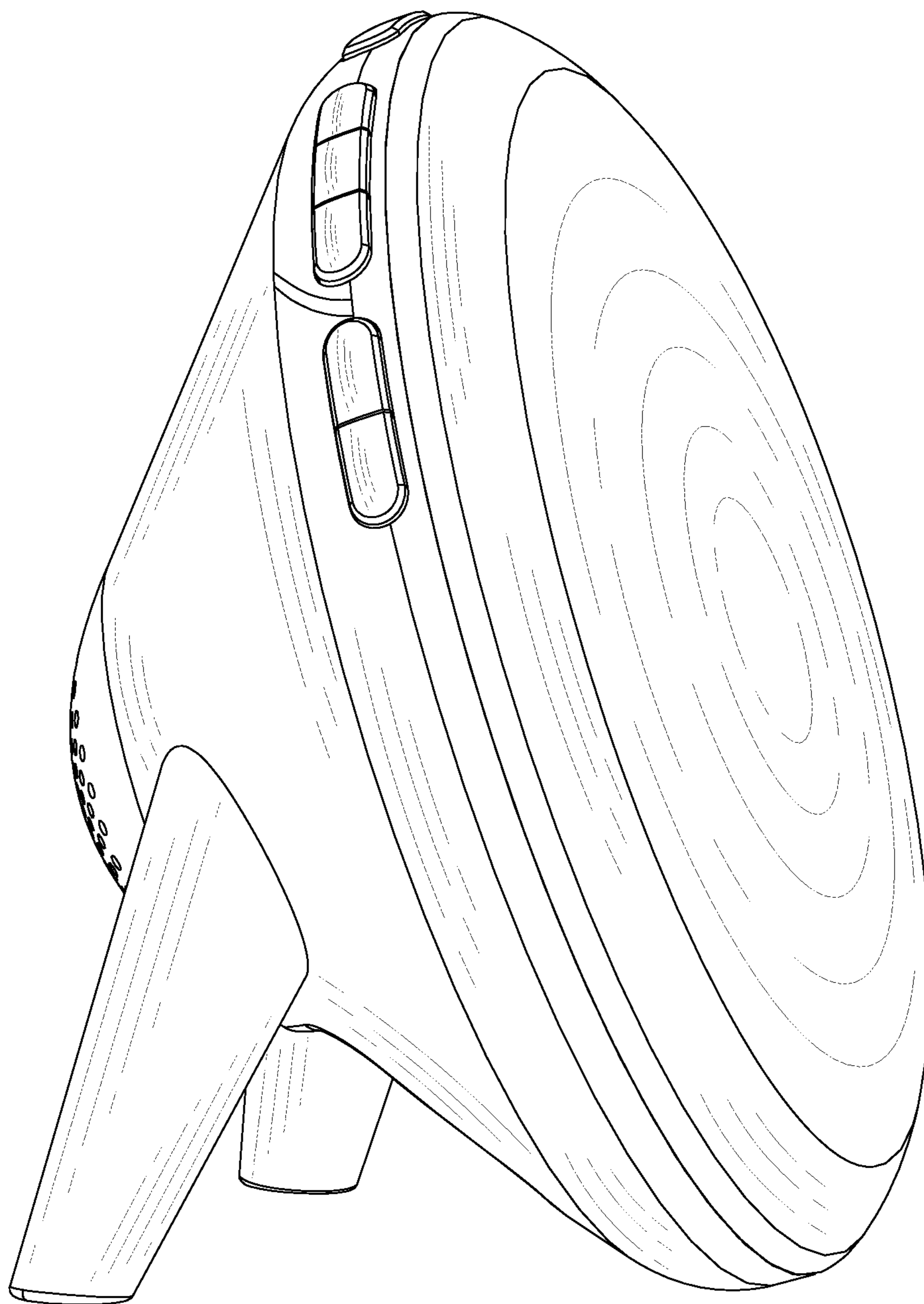


FIG. 1

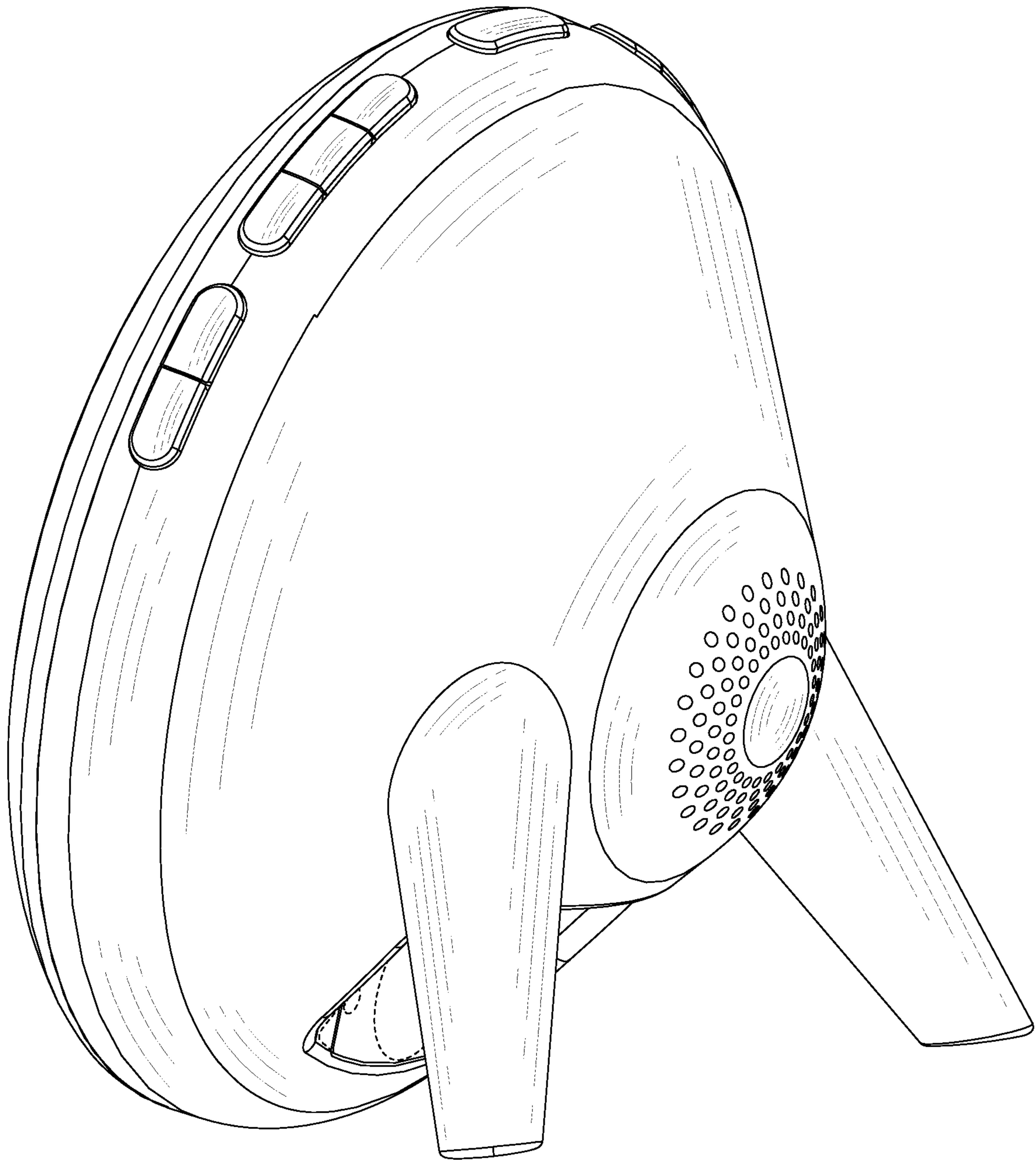


FIG. 2

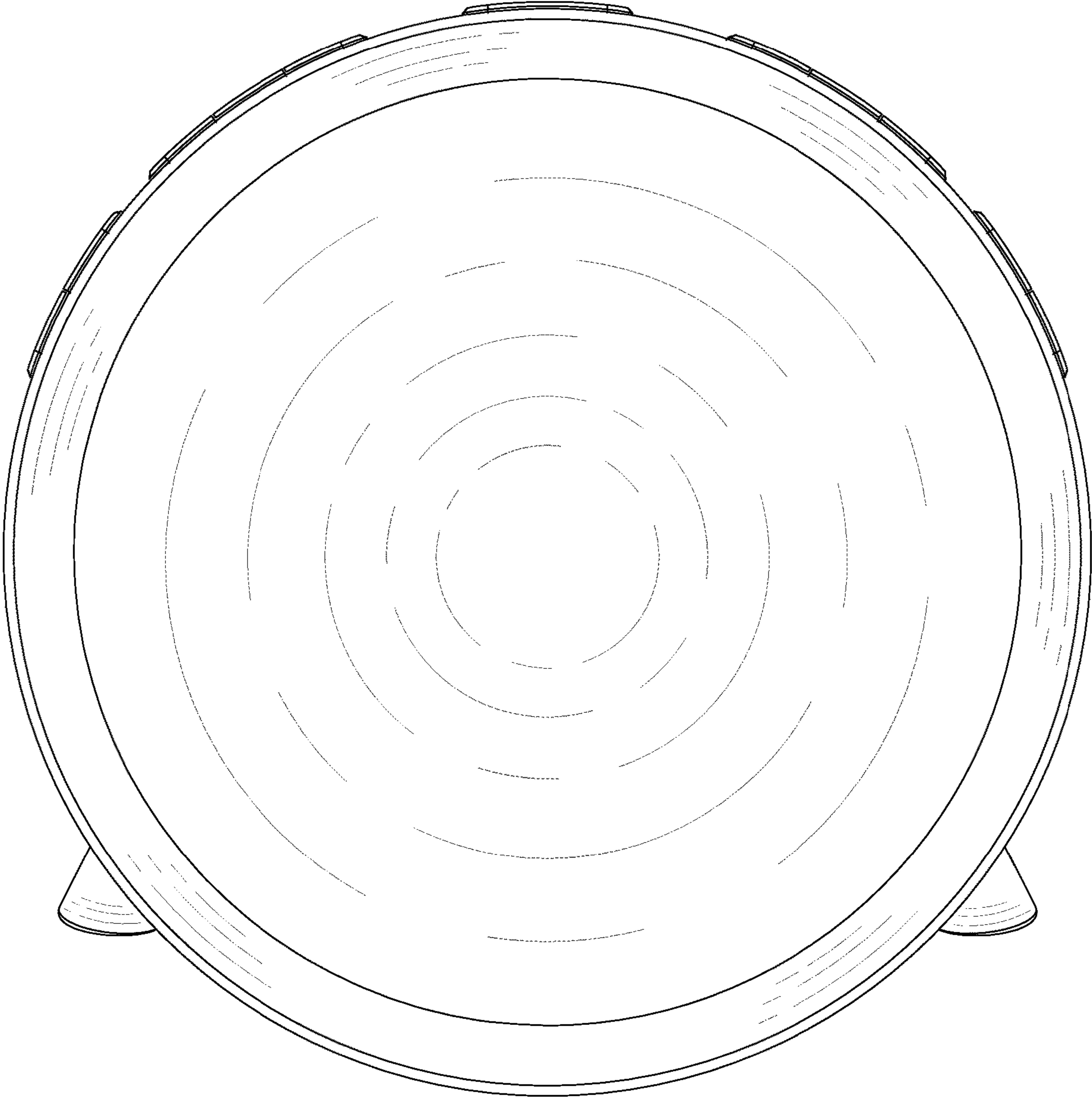


FIG. 3

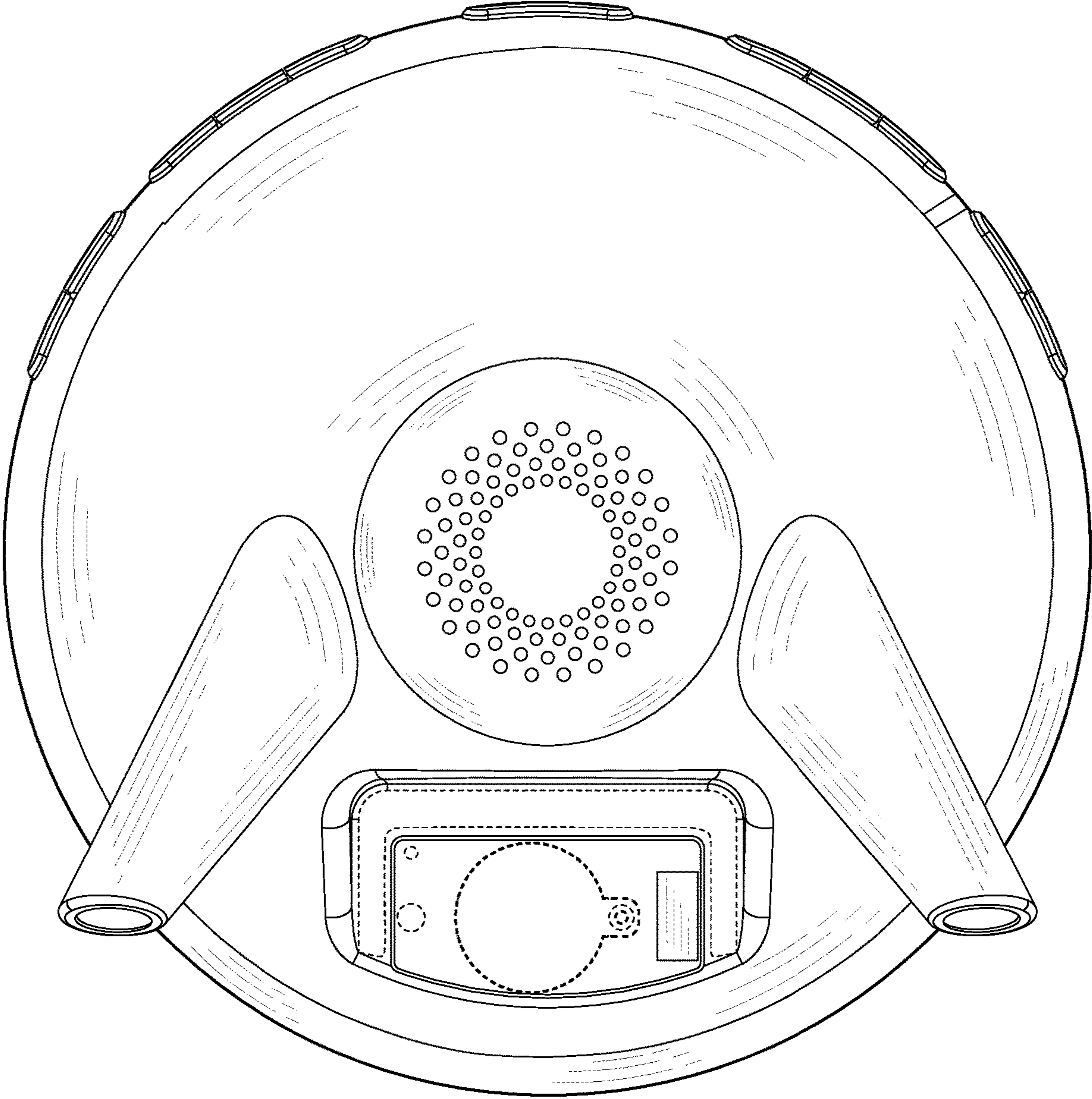


FIG. 4

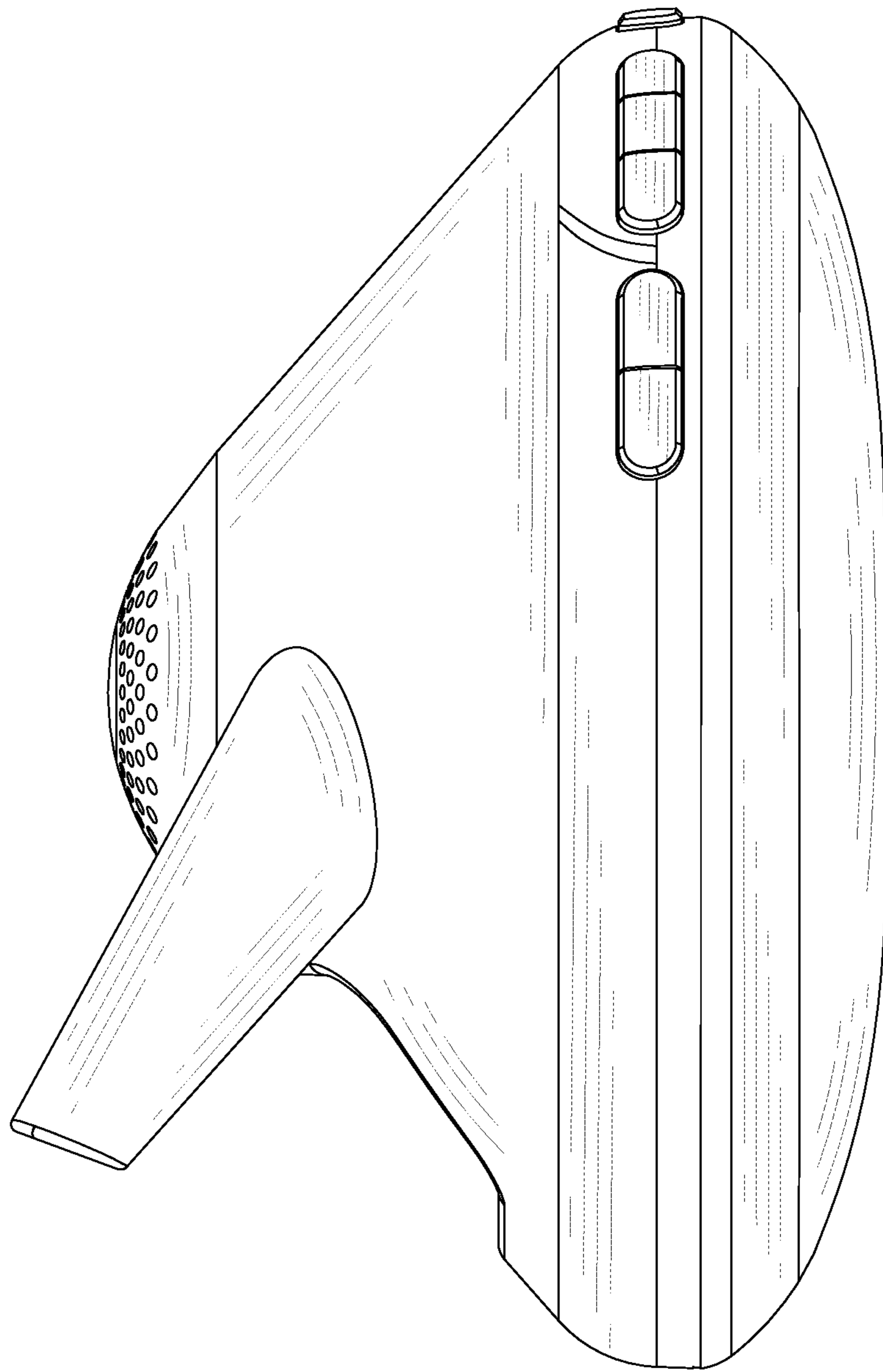


FIG. 5

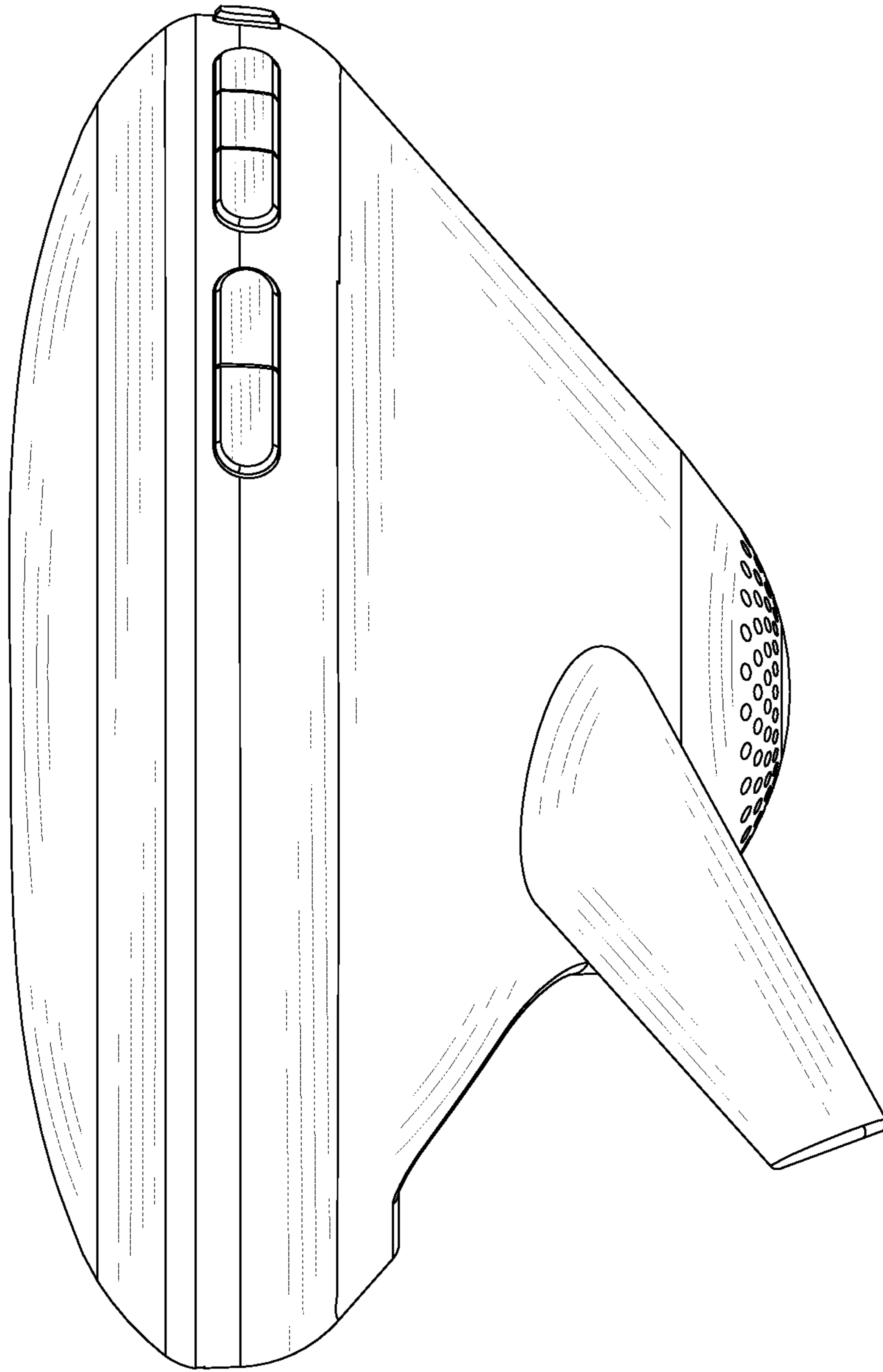


FIG. 6

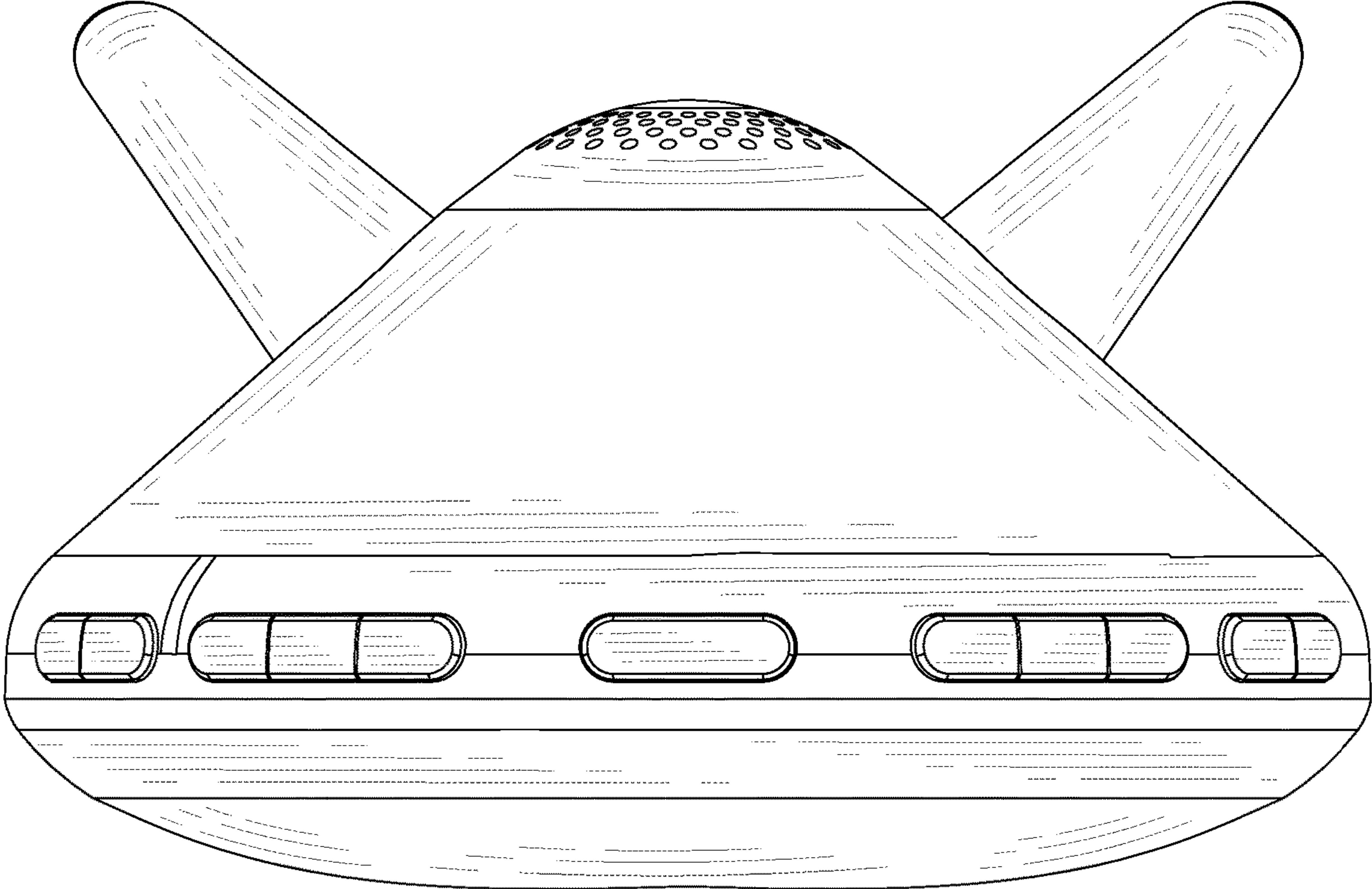


FIG. 7

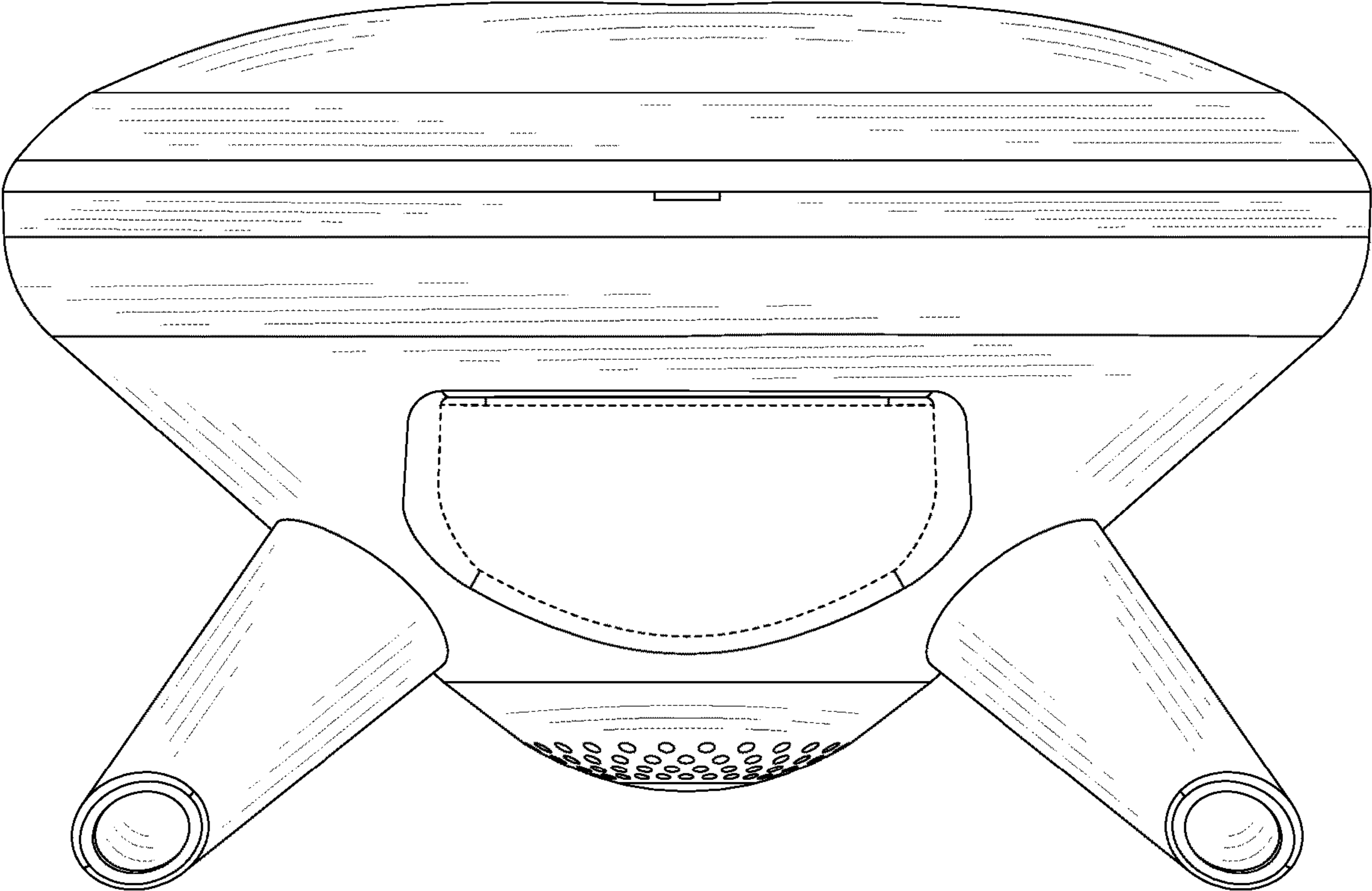


FIG. 8