



US00D982202S

(12) **United States Design Patent** (10) **Patent No.:** **US D982,202 S**
Xu (45) **Date of Patent:** **** Mar. 28, 2023**

(54) **FLASHLIGHT**

FOREIGN PATENT DOCUMENTS

(71) Applicant: **WUHAN TUOMENG DIGITAL TECHNOLOGY CO., LTD.**, Wuhan (CN)

CN 302001679 * 7/2012
CN 306286631 * 1/2021

(Continued)

(72) Inventor: **Menglu Xu**, Wuhan (CN)

OTHER PUBLICATIONS

(73) Assignee: **WUHAN TUOMENG DIGITAL TECHNOLOGY CO., LTD.**, Wuhan (CN)

“PF Waterworks PF0603GrabLITE,” Jun. 12, 2012, amazon.com, site visited Oct. 3, 2022, URL: <https://www.amazon.com/PF-WaterWorks-PF0603GrabLITETelescopic-Extendable-PickupBlack1Piece/dp/B008HDQKSI> (Year: 2012).*

(Continued)

(**) Term: **15 Years**

(21) Appl. No.: **29/815,075**

Primary Examiner — Christy Nemeth

(22) Filed: **Nov. 11, 2021**

Assistant Examiner — Sarah L Smith

(51) **LOC (14) Cl.** **26-02**

(52) **U.S. Cl.**
USPC **D26/43**

(57) **CLAIM**

(58) **Field of Classification Search**
USPC D26/8, 37–44, 46–52, 60–61; D10/109.1, D10/111, 114.9
CPC . F21L 2001/00; F21L 4/02; F21L 4/04; F21L 4/005; F21L 4/022; F21L 4/045; F21L 4/085; F21L 21/00; F21L 14/02; F21L 14/023

The ornamental design for a flashlight, as shown and described.

See application file for complete search history.

DESCRIPTION

(56) **References Cited**

U.S. PATENT DOCUMENTS

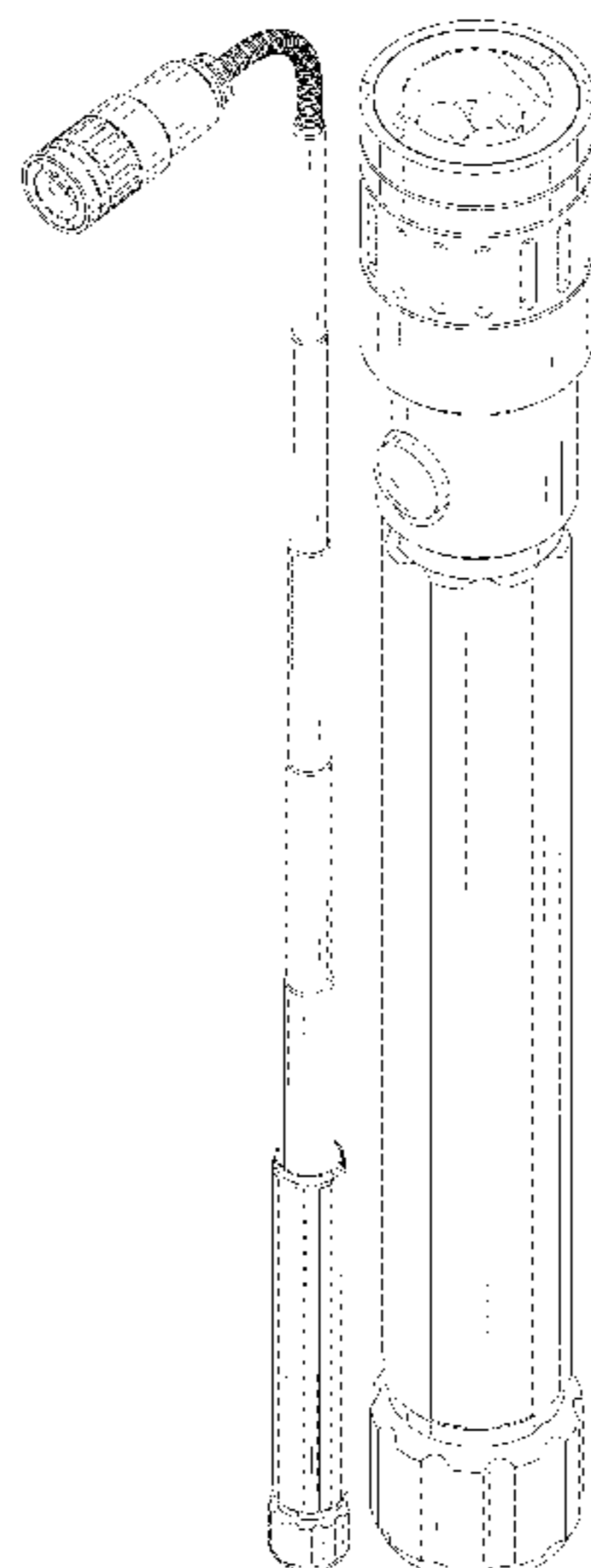
662,491 A * 11/1900 Mead F21L 4/00 D26/37
3,264,545 A * 8/1966 Kott F21L 4/085 320/DIG. 22
D315,219 S * 3/1991 Brinkmann B25B 23/18 D26/49
D388,524 S * 12/1997 Shiau D26/43
D403,453 S * 12/1998 Shiau F21L 4/045 D26/43
D450,870 S * 11/2001 Yang D26/49
D481,818 S * 11/2003 Mah D26/49

FIG. 1 is a perspective view of a flashlight showing my new design in a first configuration of use; FIG. 2 is another perspective view thereof; FIG. 3 is a front elevational view thereof; FIG. 4 is a rear elevational view thereof; FIG. 5 is a left side elevational view thereof; FIG. 6 is a right side elevational view thereof; FIG. 7 is an enlarged top plan view thereof; FIG. 8 is an enlarged bottom plan view thereof; FIG. 9 is a perspective view of the flashlight where the flashlight is in a second configuration of use; and, FIG. 10 is a perspective view of the flashlight where the flashlight is in a third configuration of use.

The dash-dash broken lines in the drawings illustrate portions of the flashlight that form no part of the claimed design.

(Continued)

1 Claim, 10 Drawing Sheets



(56)

References Cited

U.S. PATENT DOCUMENTS

D493,240 S * 7/2004 To D26/49
 D536,117 S * 1/2007 Krieger D26/49
 D536,118 S * 1/2007 Krieger D26/49
 D536,465 S * 2/2007 Krieger D26/49
 D555,267 S * 11/2007 Lin D26/49
 D565,220 S * 3/2008 Galli D26/49
 D568,515 S * 5/2008 Liu D26/49
 D600,382 S * 9/2009 Chen D26/49
 D600,383 S * 9/2009 Chen D26/49
 D600,842 S * 9/2009 Shiu D26/44
 D601,737 S * 10/2009 Swan D26/49
 D616,582 S * 5/2010 Bertken F21L 4/085
 D26/49
 D805,668 S 12/2017 Shirley et al.
 D885,625 S 5/2020 Green et al.
 D954,316 S * 6/2022 Saboo D26/37
 D957,022 S * 7/2022 Yao F21V 17/105
 D26/62
 2003/0142491 A1 * 7/2003 Kwak F21V 23/0414
 362/205
 2005/0201085 A1 * 9/2005 Aikawa F21L 4/045
 362/198
 2008/0089058 A1 * 4/2008 Galli F41G 11/003
 362/191
 2008/0180945 A1 * 7/2008 Shih F21L 4/045
 362/205

2009/0103290 A1 * 4/2009 Liu F21L 4/045
 362/197
 2009/0141485 A1 * 6/2009 Liu F21L 4/045
 362/184
 2010/0053944 A1 * 3/2010 Yao-Lin F21L 4/045
 362/198
 2011/0012382 A1 * 1/2011 Wang B25B 23/18
 294/190
 2013/0176715 A1 * 7/2013 Rubino F21V 17/105
 362/323

FOREIGN PATENT DOCUMENTS

GB 2285855 A * 7/1995 F21L 4/02
 GB 6175007 * 11/2021
 WO WO-2010040102 A2 * 4/2010 F21L 4/02

OTHER PUBLICATIONS

“Magnetic Pocket LED,” Sep. 29, 2017, amazon.com, site visited Oct. 3, 2022, URL: https://www.amazon.com/Magnetic-Extendable-Telescoping-Flashlight-Stalwart/dp/B07624RDDM/ref=psdc_553504_t2_B08YNFSCS7 (Year: 2017).
 “Veitorld LED Telescoping Magnetic Pickup Tools,” Apr. 12, 2021, site visited Oct. 3, 2022, URL: <https://www.amazon.com/Husband-Magnetic-Birthday-Boyfriend-Handymen/dp/B0928TC31P/> (Year: 2021).

* cited by examiner

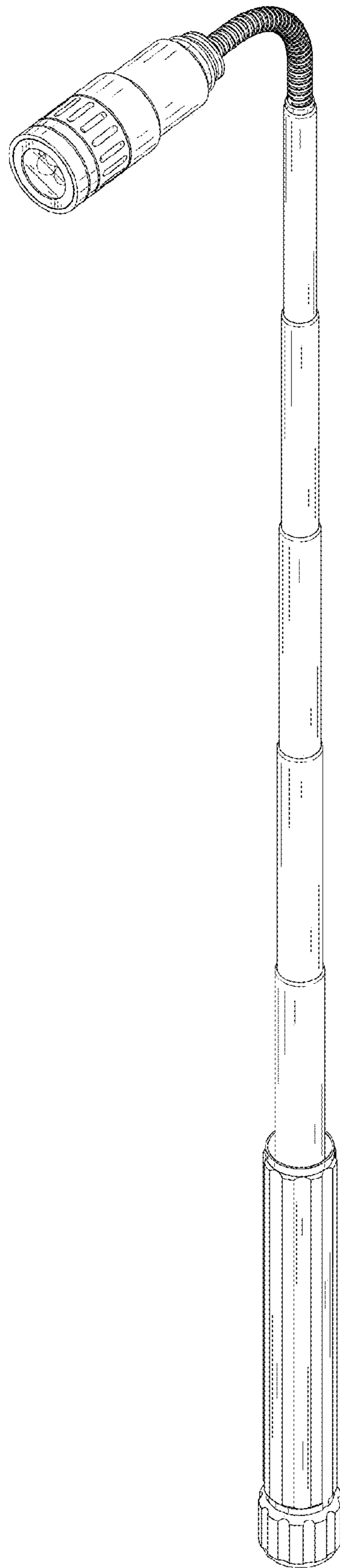


FIG. 1

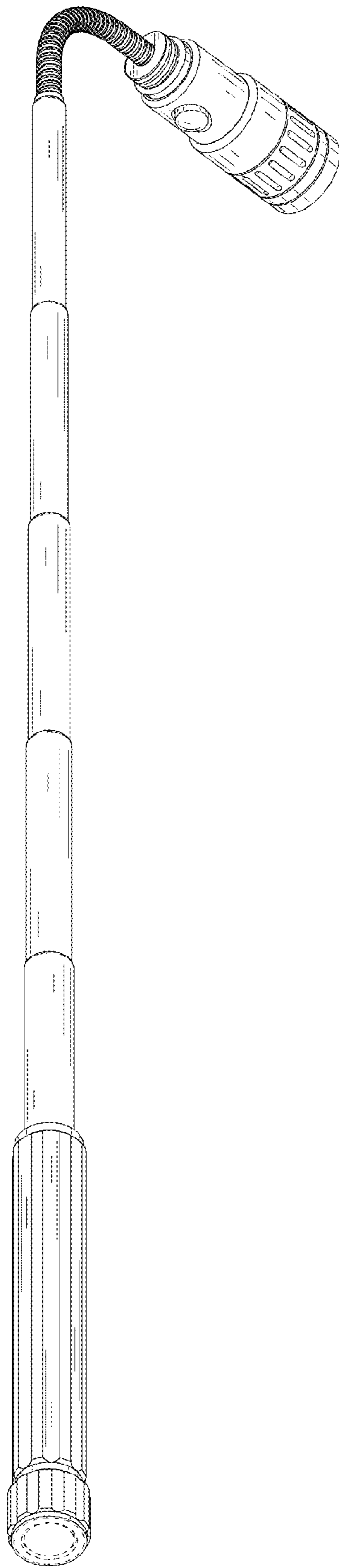


FIG. 2

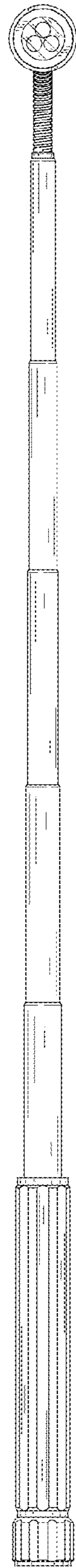


FIG. 3

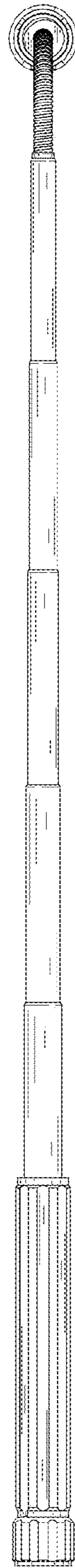


FIG. 4

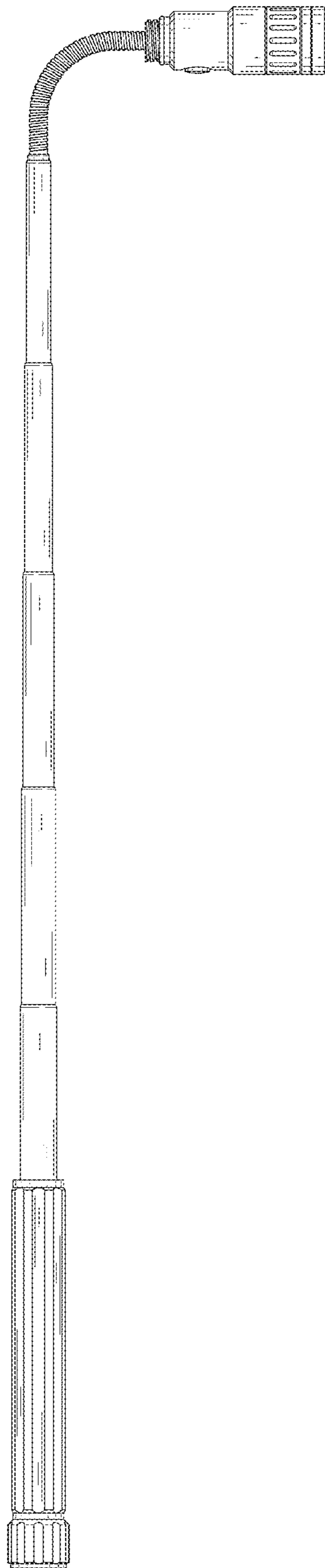


FIG. 5

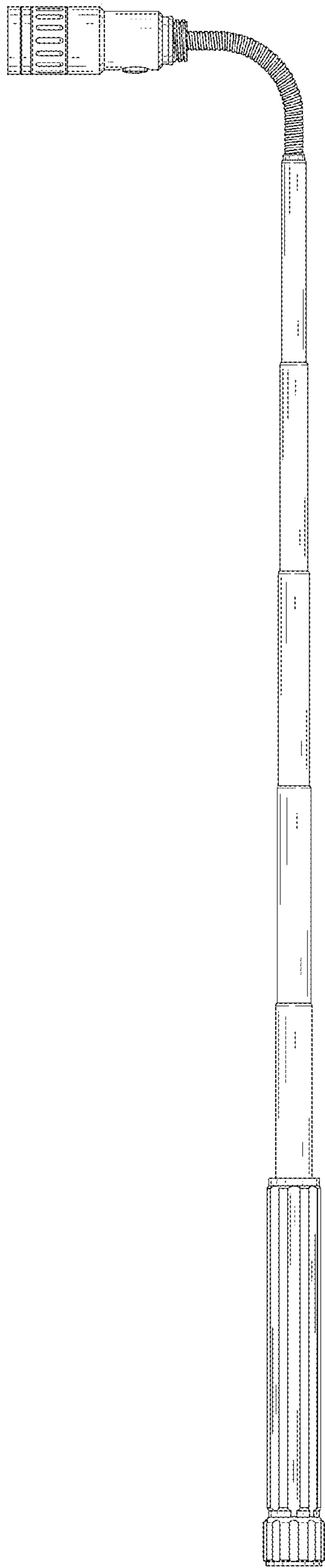


FIG. 6

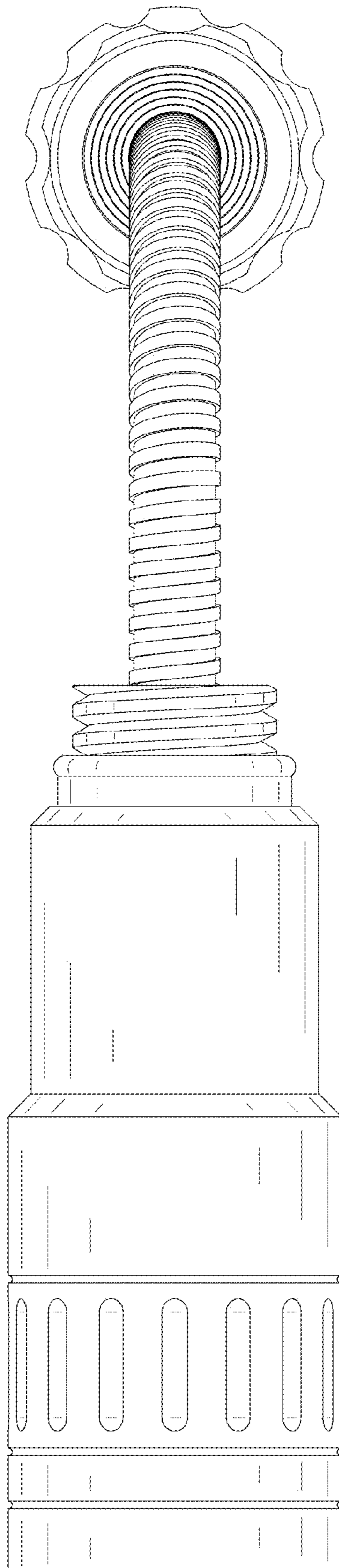


FIG. 7

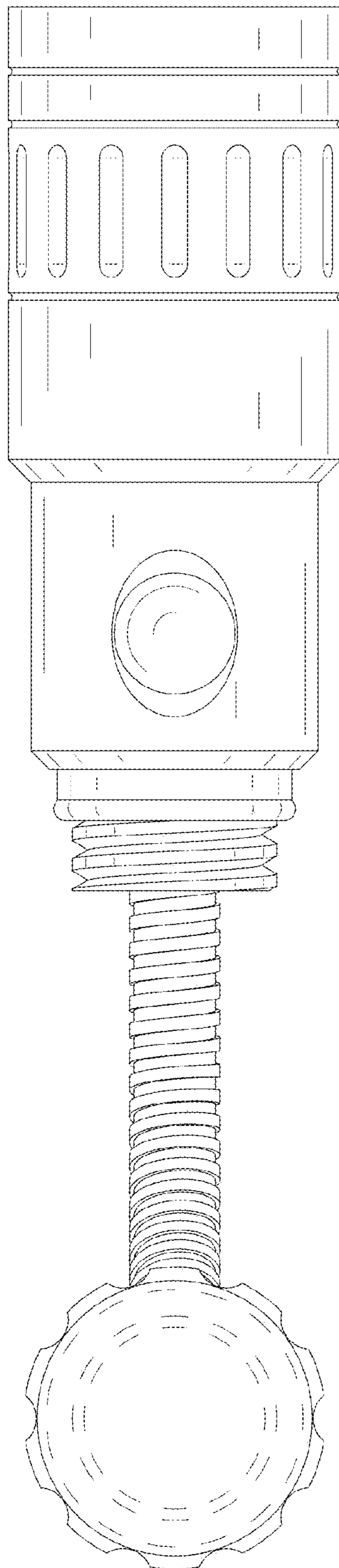


FIG. 8

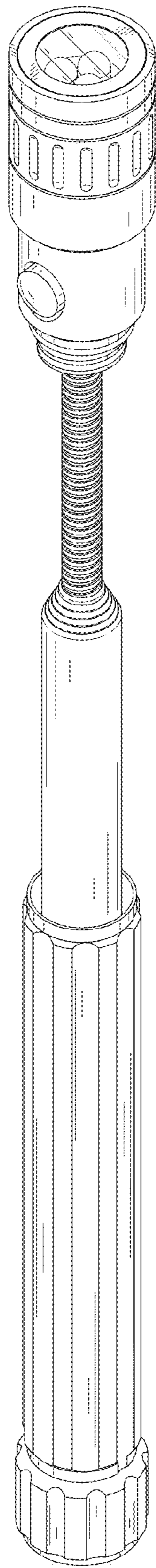


FIG. 9

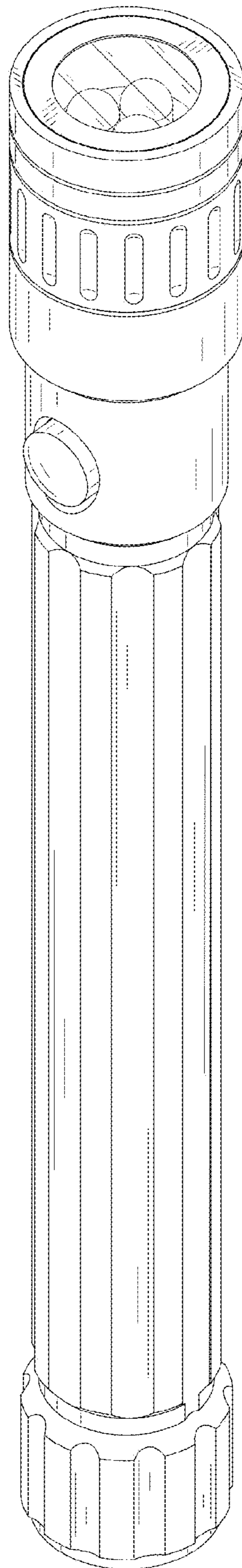


FIG. 10