



US00D982201S

(12) **United States Design Patent** (10) **Patent No.:** **US D982,201 S**
Jeong et al. (45) **Date of Patent:** **** Mar. 28, 2023**

(54) **HEAD LAMP FOR VEHICLES**

(56) **References Cited**

(71) Applicants: **HYUNDAI MOTOR COMPANY**,
Seoul (KR); **Kia Corporation**, Seoul
(KR)

U.S. PATENT DOCUMENTS

D690,041 S *	9/2013	Lai	D26/28
D743,070 S *	11/2015	Lai	D26/28
D747,819 S *	1/2016	Thole	D26/28
D761,462 S *	7/2016	Lai	D26/28
D783,189 S *	4/2017	Nishii	D26/28
D787,726 S *	5/2017	Hong	D26/28
D792,622 S *	7/2017	Briscoe	D26/28
D794,232 S *	8/2017	Lai	D26/28
D803,433 S *	11/2017	Yang	D26/28
D819,241 S *	5/2018	Werner	D26/28
D819,847 S *	6/2018	Woodhouse	D26/28

(72) Inventors: **Da-Young Jeong**, Seongnam-si (KR);
Dai-Sung Kim, Gunpo-si (KR);
Joon-Bo Shim, Seoul (KR)

(73) Assignees: **Hyundai Motor Company**, Seoul
(KR); **Kia Corporation**, Seoul (KR)

(Continued)

(**) Term: **15 Years**

Primary Examiner — Steven J Czyz

(21) Appl. No.: **35/510,935**

(74) *Attorney, Agent, or Firm* — Fox Rothschild LLP

(22) Filed: **Nov. 19, 2020**

(57) **CLAIM**

(80) **Hague Agreement Data**

The ornamental design for a head lamp for vehicles, as shown and described.

Int. Filing Date: **Nov. 19, 2020**

Int. Reg. No.: **DM/211464**

Int. Reg. Date: **Nov. 19, 2020**

Int. Reg. Pub. Date: **Dec. 11, 2020**

DESCRIPTION

(30) **Foreign Application Priority Data**

Jul. 1, 2020 (KR) 30-2020-0029998

(51) **LOC (14) Cl.** **26-06**

(52) **U.S. Cl.**
USPC **D26/28**

(58) **Field of Classification Search**

USPC D26/28, 29, 34, 35, 36

CPC F21S 41/00; F21S 41/14; F21S 41/141;
F21S 41/20; F21S 41/30; F21S 43/00;
F21S 43/10; F21S 43/14; F21S 43/15;
F21S 43/20; F21S 43/30; B60Q 1/26;
B60Q 1/2619; B60Q 1/22; B60Q 1/28;
B60Q 1/30; B60Q 1/34; B60Q 1/44;
B60Q 1/46

1. Head lamp for vehicles

1.1 : Perspective

1.2 : Front

1.3 : Back

1.4 : Left

1.5 : Right

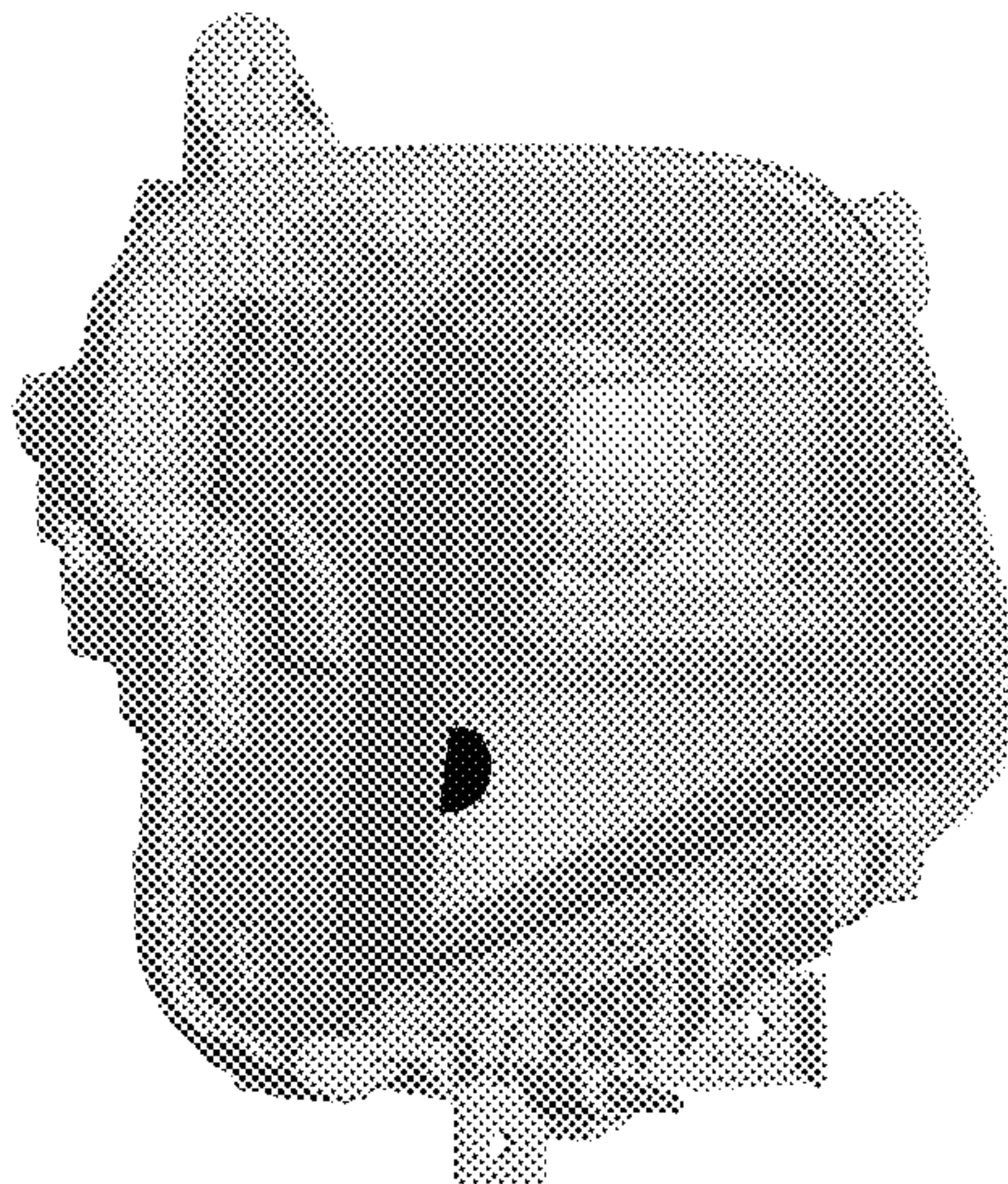
1.6 : Top

1.7 : Bottom

Reproduction 1.1 is a perspective view of a head lamp for vehicles showing our new design; Reproduction 1.2 is a front elevation view thereof; Reproduction 1.3 is a rear elevation view thereof; Reproduction 1.4 is a left side elevation view thereof; Reproduction 1.5 is a right side elevation view thereof; Reproduction 1.6 is a top plan view thereof; and Reproduction 1.7 is a bottom plan view thereof; this article is installed on a left and right side of the front of vehicles to secure a driver's visibility at night or in case of rain.

See application file for complete search history.

(Continued)



The solid black element on the article depict portions of the article that form no part of the claimed design.

1 Claim, 7 Drawing Sheets

(56)

References Cited

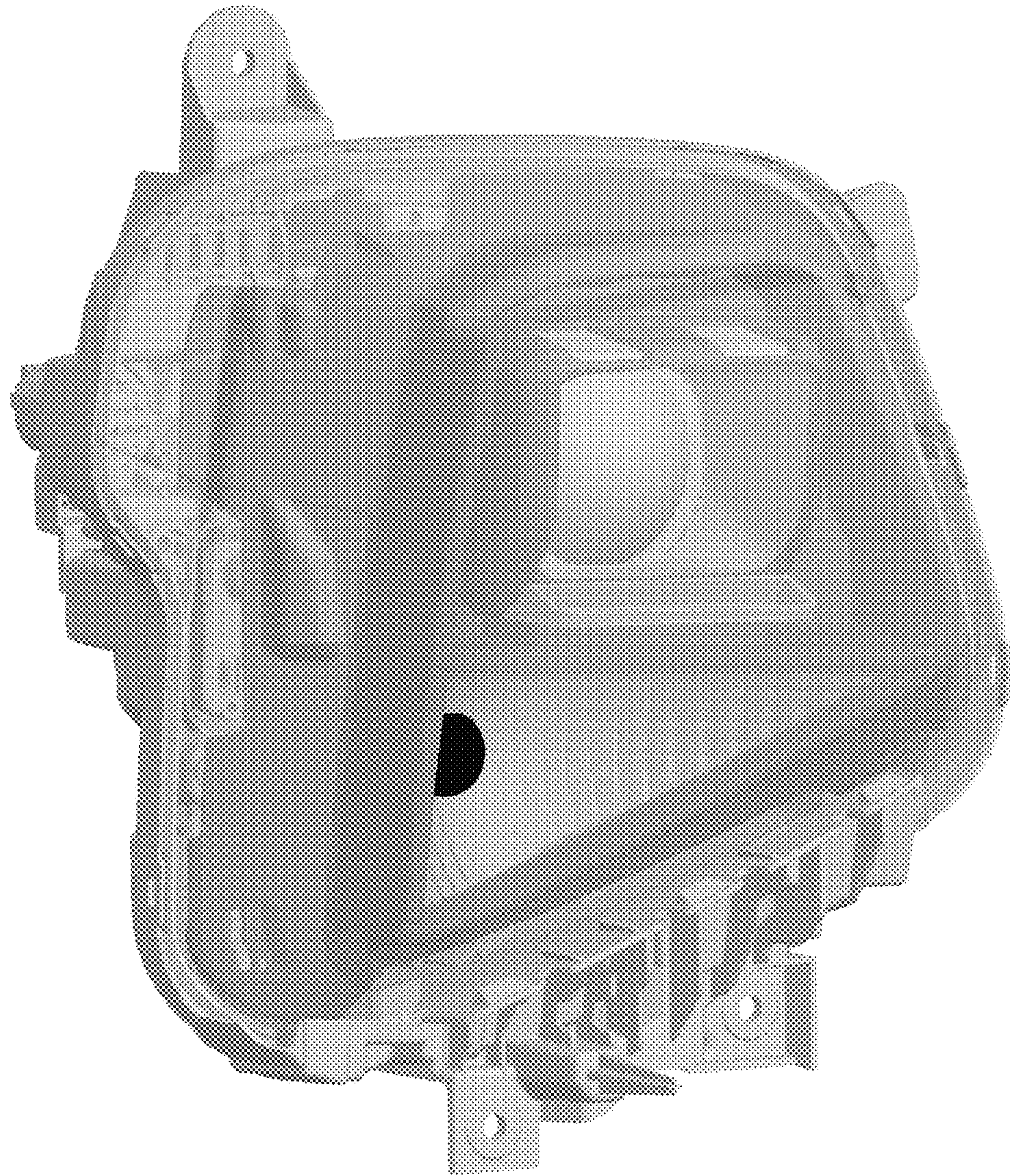
U.S. PATENT DOCUMENTS

D852,999 S * 7/2019 Allmendinger D26/28
D853,607 S * 7/2019 Allmendinger D26/28
D867,638 S * 11/2019 Kong D26/28
D868,323 S * 11/2019 Kim D26/28
D868,324 S * 11/2019 Kim D26/28
D883,526 S * 5/2020 Lin D26/28
D883,538 S * 5/2020 Lai D26/28
D887,595 S * 6/2020 Wu D26/28
D889,008 S * 6/2020 Lim D26/28

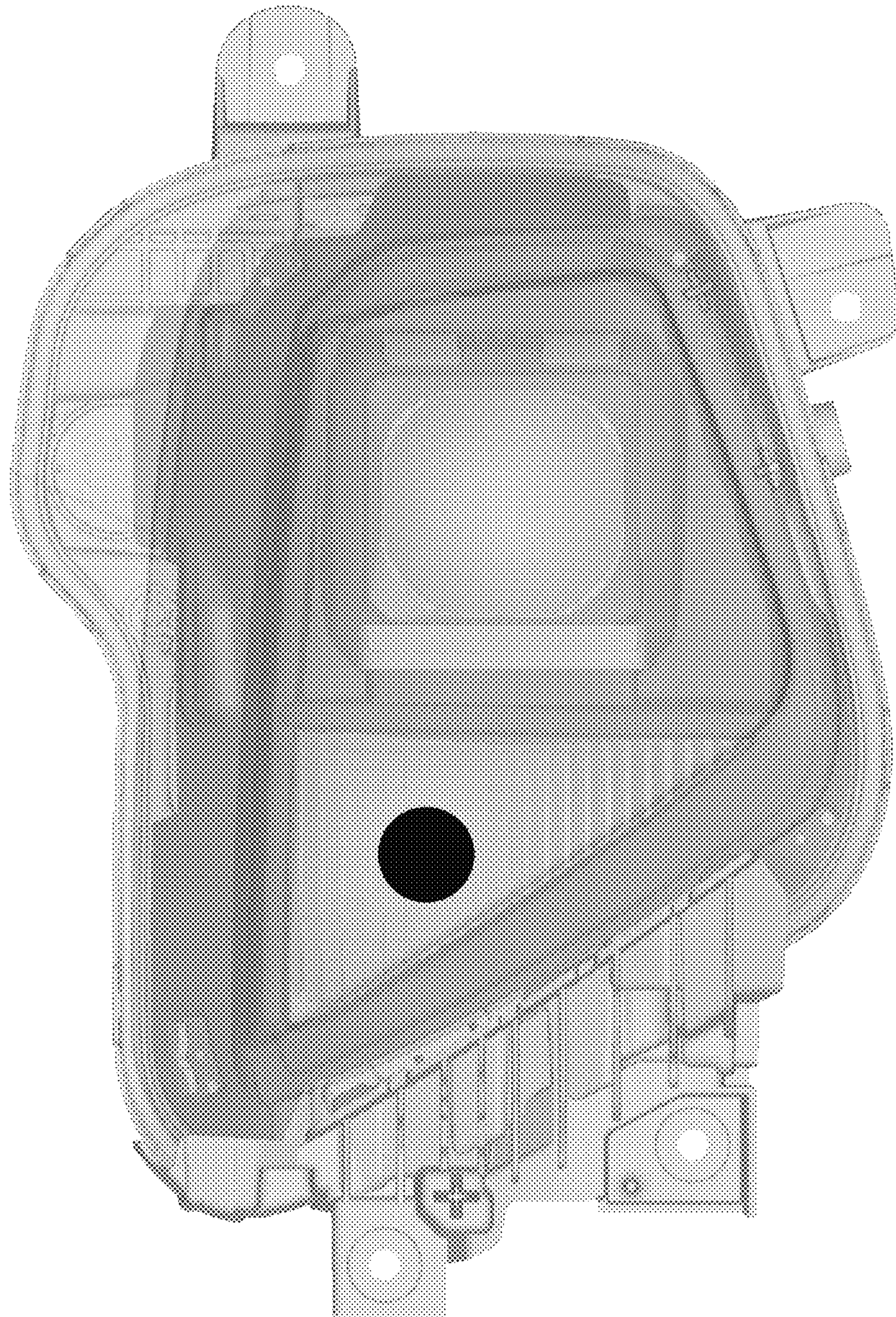
D893,065 S * 8/2020 He D26/28
D893,771 S * 8/2020 Lin D26/28
D895,180 S * 9/2020 Hong D26/28
D896,410 S * 9/2020 He D26/28
D899,641 S * 10/2020 He D26/28
D900,359 S * 10/2020 He D26/28
D901,733 S * 11/2020 Kim D26/28
D905,876 S * 12/2020 Wu D26/28
D907,264 S * 1/2021 Lin D26/28
D907,821 S * 1/2021 Jeong D26/28
D908,260 S * 1/2021 Jeong D26/28
D912,863 S * 3/2021 Wu D26/28
D923,213 S * 6/2021 He D26/28
D923,214 S * 6/2021 He D26/28
D928,363 S * 8/2021 Lin D26/28
D929,622 S * 8/2021 Wu D26/28
D930,198 S * 9/2021 Wu D26/28
D933,267 S * 10/2021 Lin D26/28
D935,649 S * 11/2021 Wu D26/28
D936,870 S * 11/2021 Wu D26/28

* cited by examiner

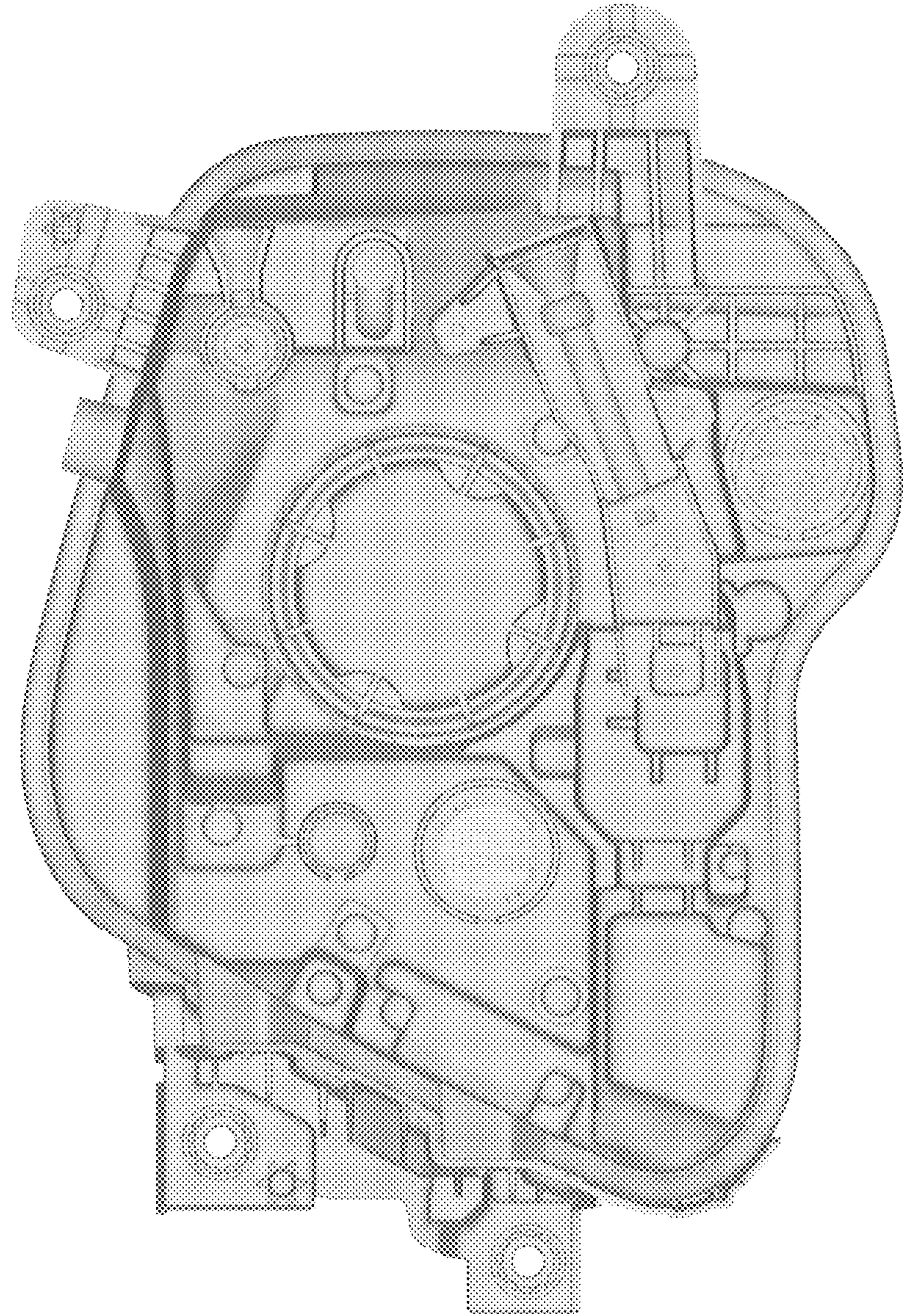
1.1



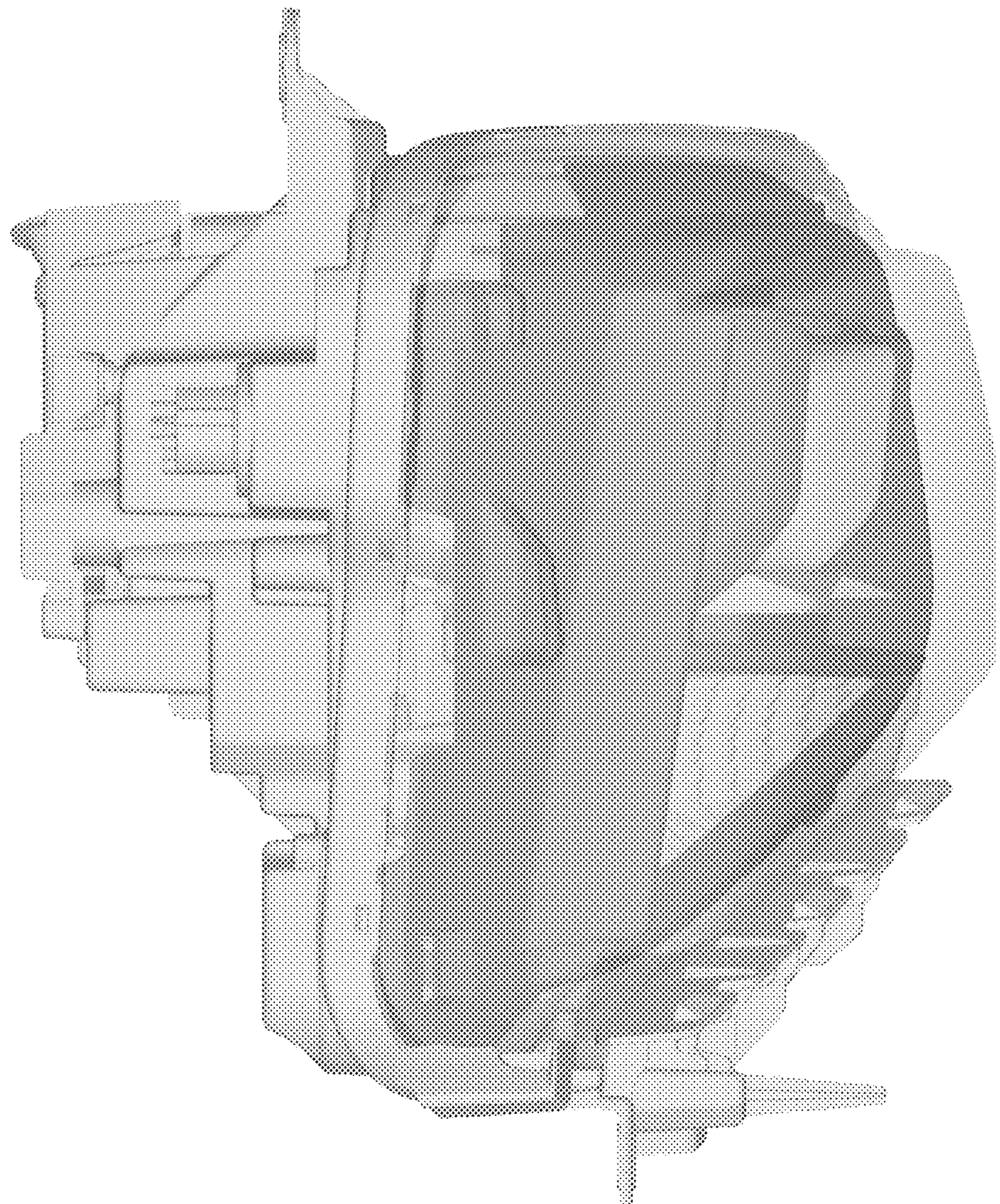
1.2



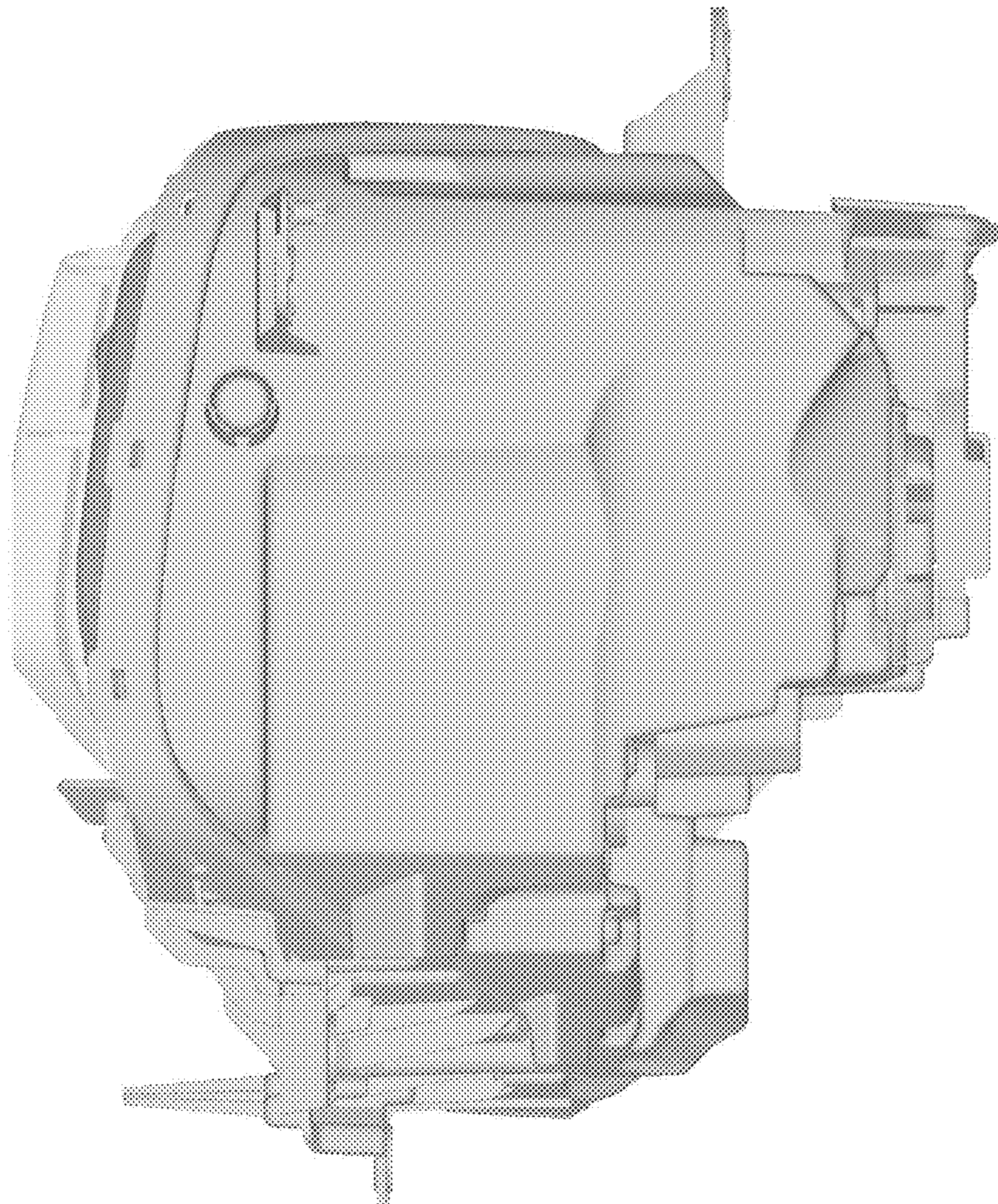
1.3



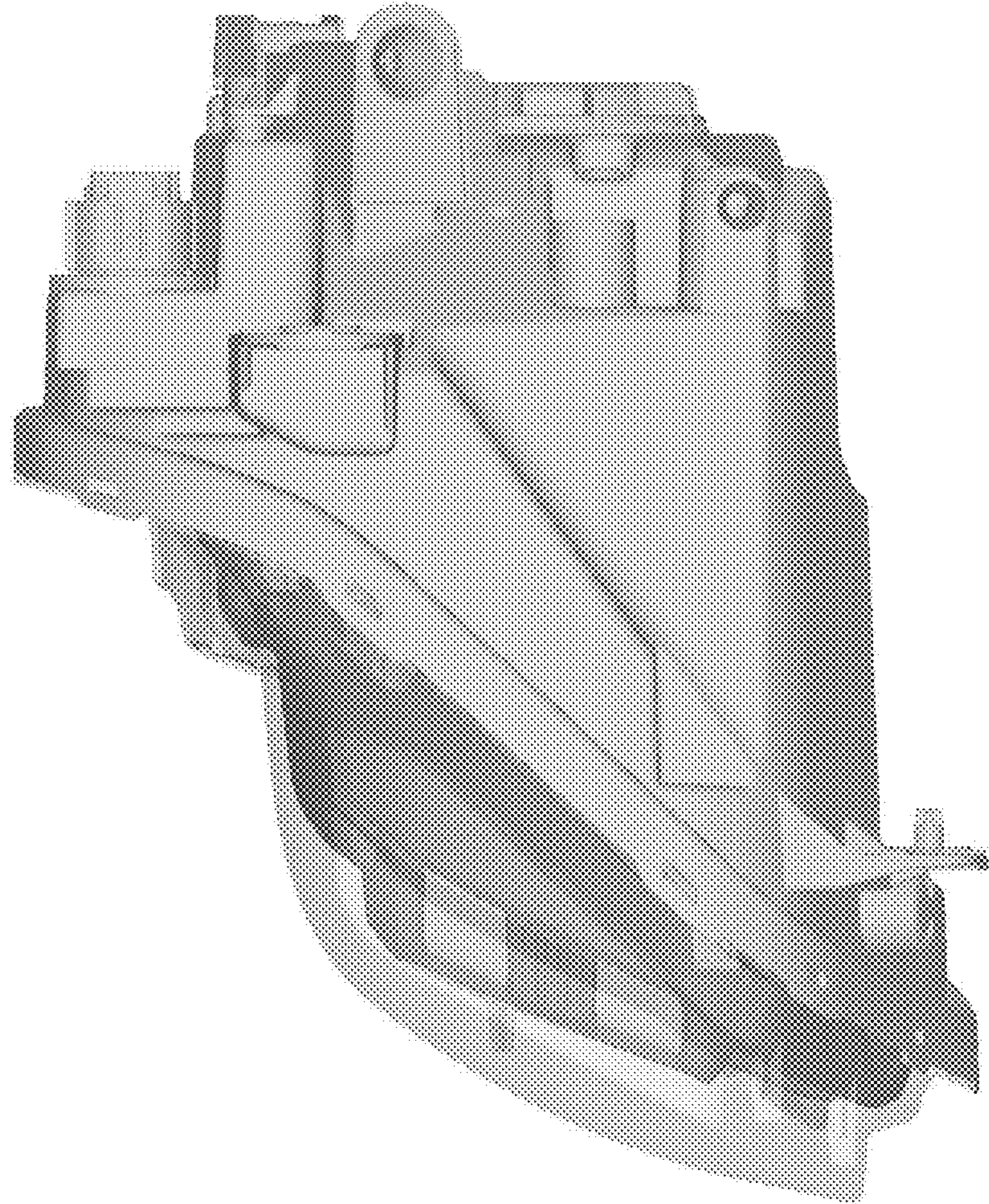
1.4



1.5



1.6



1.7

