



US00D982198S

(12) **United States Design Patent**
Signorelli

(10) **Patent No.:** **US D982,198 S**
(45) **Date of Patent:** **** Mar. 28, 2023**

- (54) **MULTI-PURPOSE BOAT LIGHT**
- (71) Applicant: **Brian Signorelli**, Lafayette, LA (US)
- (72) Inventor: **Brian Signorelli**, Lafayette, LA (US)
- (**) Term: **15 Years**
- (21) Appl. No.: **29/807,317**
- (22) Filed: **Sep. 10, 2021**
- (51) **LOC (14) Cl.** **26-06**
- (52) **U.S. Cl.**
USPC **D26/28; D26/61**
- (58) **Field of Classification Search**
USPC ... D26/1, 2, 3, 4, 24, 26, 28, 29, 34, 35, 40,
D26/42, 49, 61, 63, 65, 67, 75, 78, 93,
D26/113
CPC B60Q 1/02; B63B 45/02; B63B 45/04;
B63B 45/06; B63B 49/00; B63B 51/00;
B63B 51/02; B63B 51/04; F21K 9/27;
F21K 9/272; F21K 9/278; F21V 23/002;
F21V 23/04; F21V 23/006; F21W
2107/20; F21W 2131/10; F21W 2111/04;
F21W 2131/40; F21W 2131/401; F21Y
2103/00; F21Y 2115/10; H01R 33/942;
H01R 33/955; H01J 5/48; H01J 5/50
See application file for complete search history.

- 5,335,149 A 8/1994 Evans
- 5,508,895 A * 4/1996 Wagoner, Jr. B60Q 1/18
362/477
- 5,537,299 A * 7/1996 Perry B60Q 1/0483
362/477
- 6,394,634 B2 * 5/2002 Kitchin F21V 21/26
362/477
- 6,499,867 B1 * 12/2002 Neal B63B 45/02
362/477
- D515,228 S * 2/2006 Gebhard D26/28
- 7,021,802 B1 4/2006 Wyatt
- D532,126 S * 11/2006 Kinzel D26/28
- D575,424 S 8/2008 Gebhard et al.

(Continued)

OTHER PUBLICATIONS

“Basin Boat Lighting BrightBird™ + NAV 120W/12,000 Lumens SmartBird Safety Lighting System w 105db Horn”, available in Amazon.com, date first available Mar. 29, 2022, Date site visited: Dec. 27, 2022, Available from the internet URL: <https://a.co/d/hL4EJhh> (Year: 2022).*

(Continued)

Primary Examiner — Angela J Lee
Assistant Examiner — Anthony Vincent Rotolo
(74) *Attorney, Agent, or Firm* — Greg Mier

(57) **CLAIM**

The ornamental design for a multi-purpose boat light, as shown and described.

DESCRIPTION

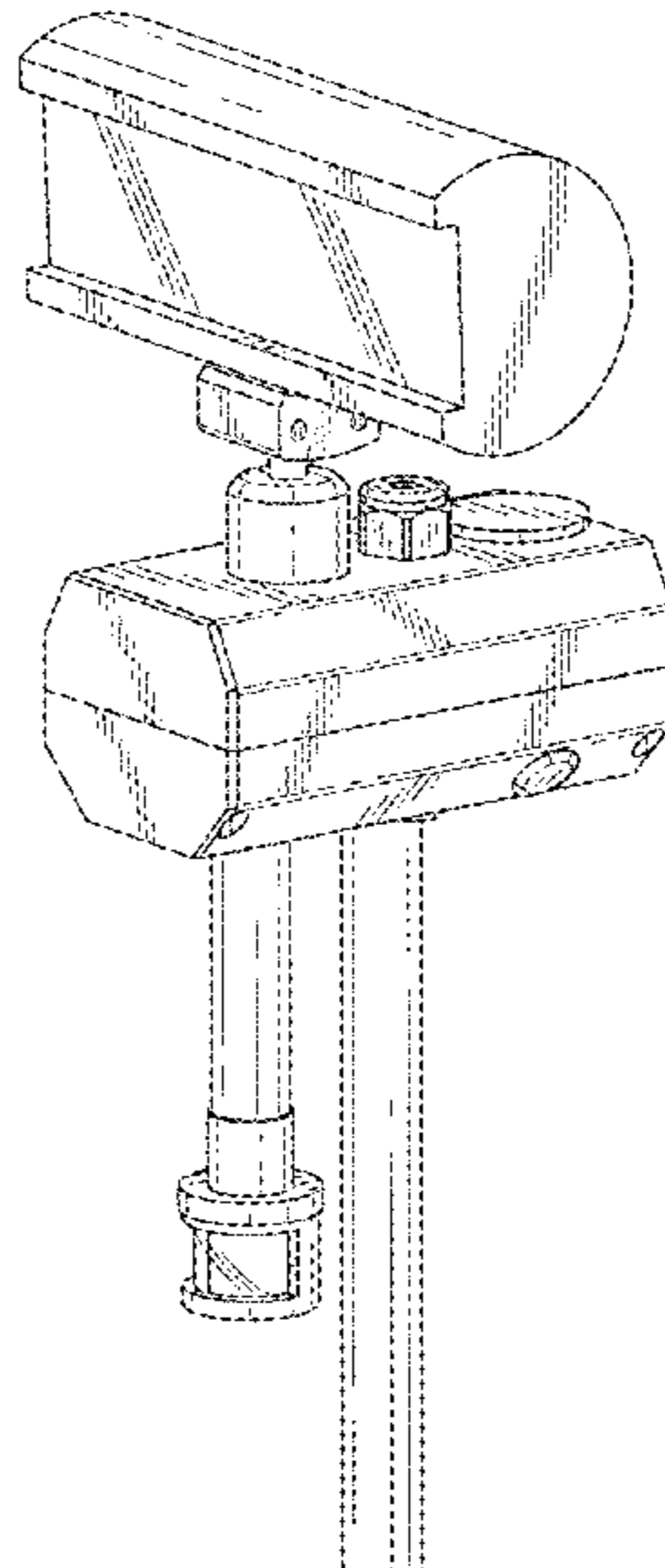
FIG. 1 is a perspective view of the multi-purpose boat light; FIG. 2 is a front view thereof; FIG. 3 is a back view thereof; FIG. 4 is a top view thereof; FIG. 5 is a bottom view thereof; FIG. 6 is a side view thereof; and, FIG. 7 is an opposite side view thereof.

1 Claim, 6 Drawing Sheets

(56) **References Cited**

U.S. PATENT DOCUMENTS

- 1,292,475 A * 1/1919 Kaufmann B60Q 1/245
74/480 B
- 3,253,136 A * 5/1966 Faul B60Q 1/2657
362/431
- D303,016 S * 8/1989 Yuen D26/29
- 4,884,173 A * 11/1989 Cassidy F21V 33/004
362/543
- D322,136 S * 12/1991 Shima D26/93
- 5,142,457 A * 8/1992 Wehner B63B 45/02
D26/29



(56)

References Cited

U.S. PATENT DOCUMENTS

D765,279 S * 8/2016 Hill D26/28
9,625,128 B2 * 4/2017 Lu F21V 25/12
D960,408 S * 8/2022 Zhang D26/28

OTHER PUBLICATIONS

“Navigation Bow Light w Built in Headlight, Wireless Remote”, available in fishingvault.com, Wayback Machine date May 19, 2022, site visited Dec. 28, 2022, Internet URL: <https://fishingvault.com/collections/boat-lights/products/navigation-bow-light-with-built-in-headlight-and-wireless-remote-control/> (Year: 2022).*

* cited by examiner

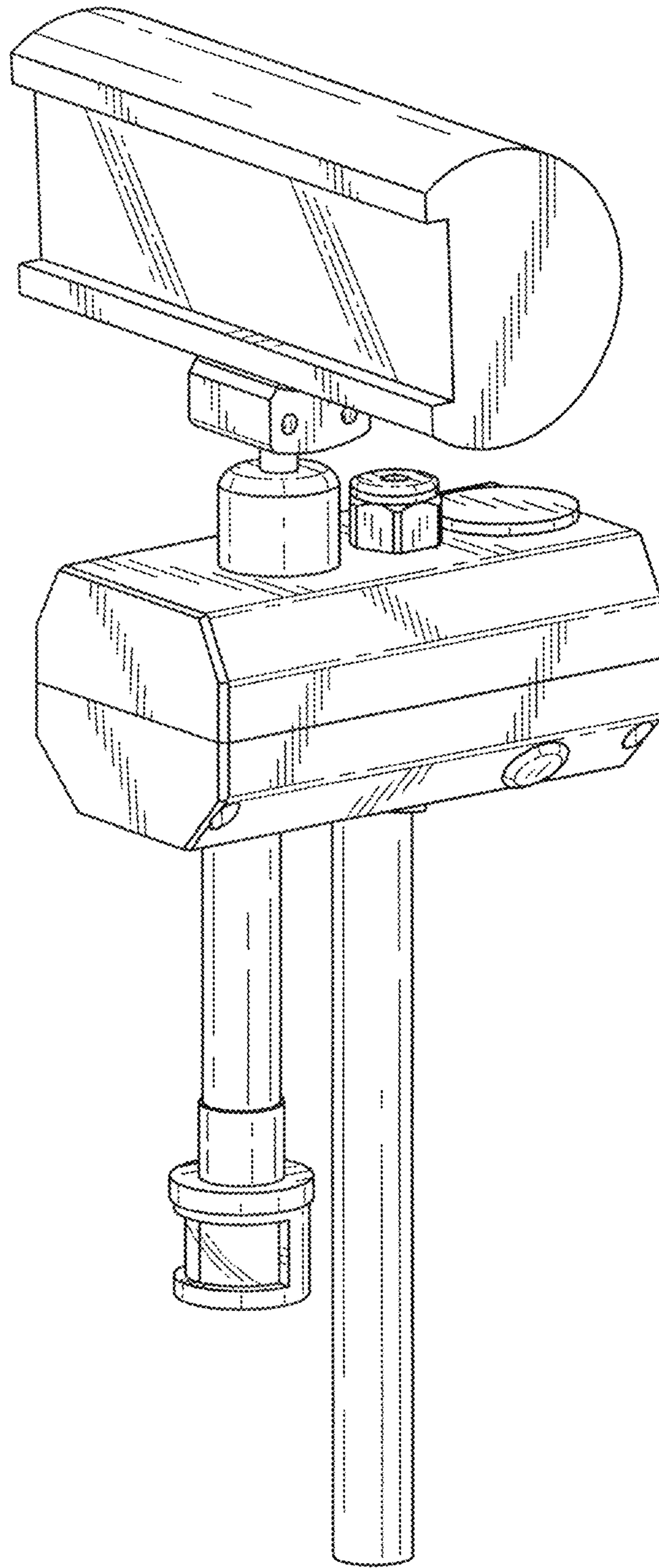


FIG. 1

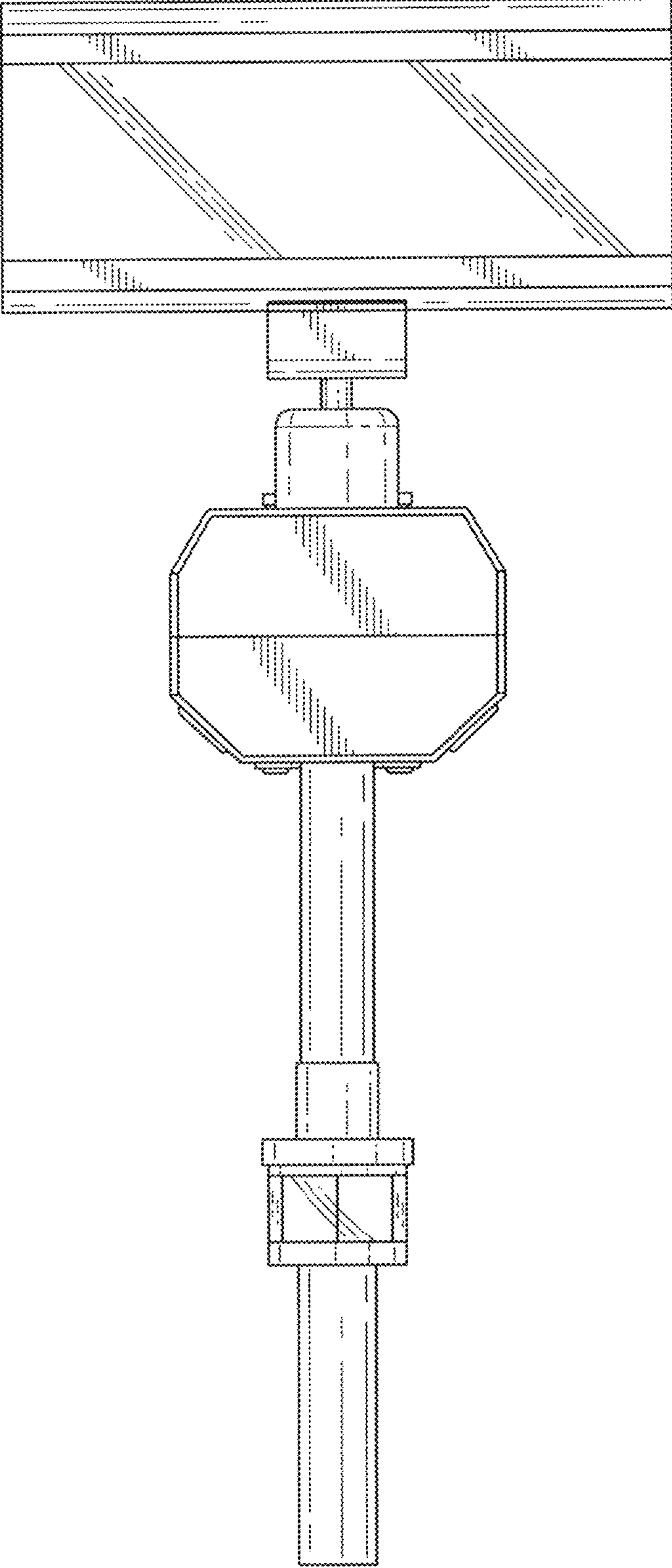


FIG. 2

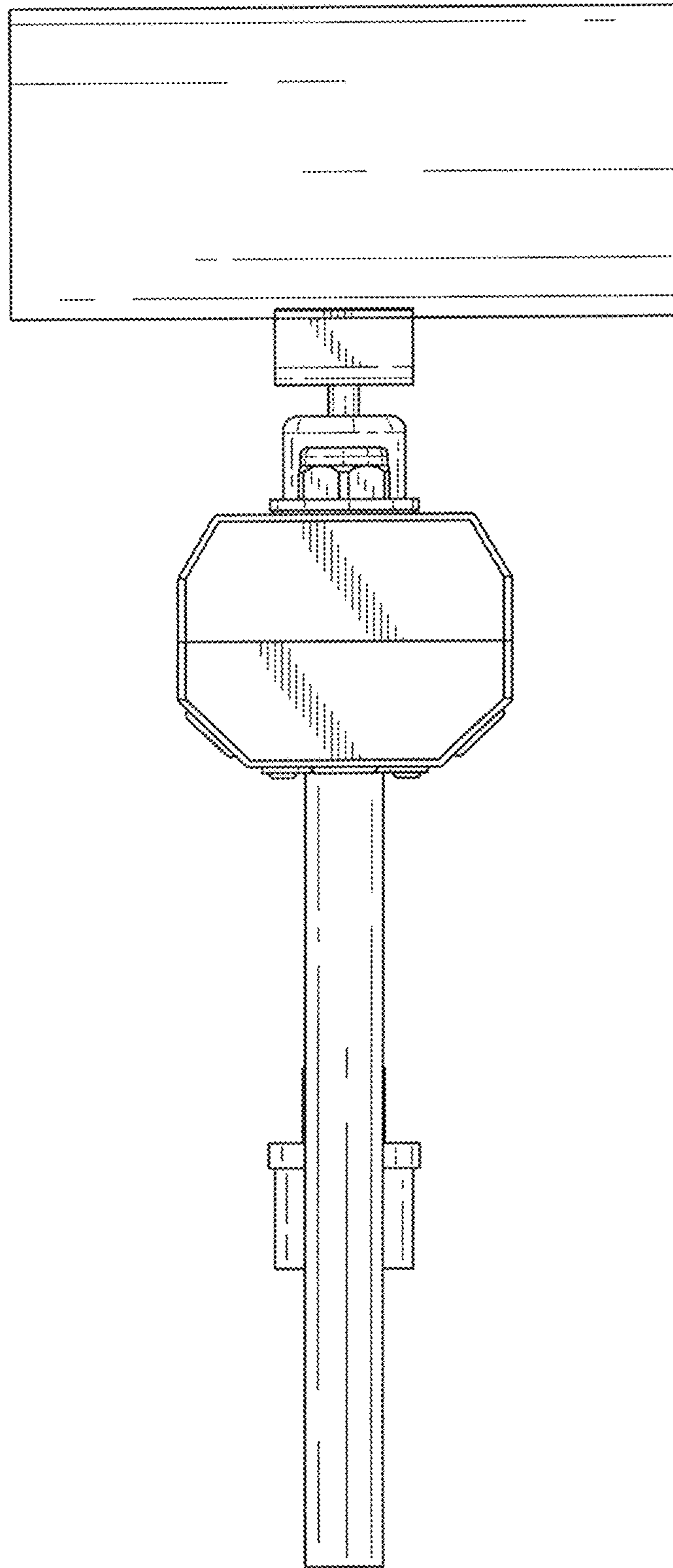


FIG. 3

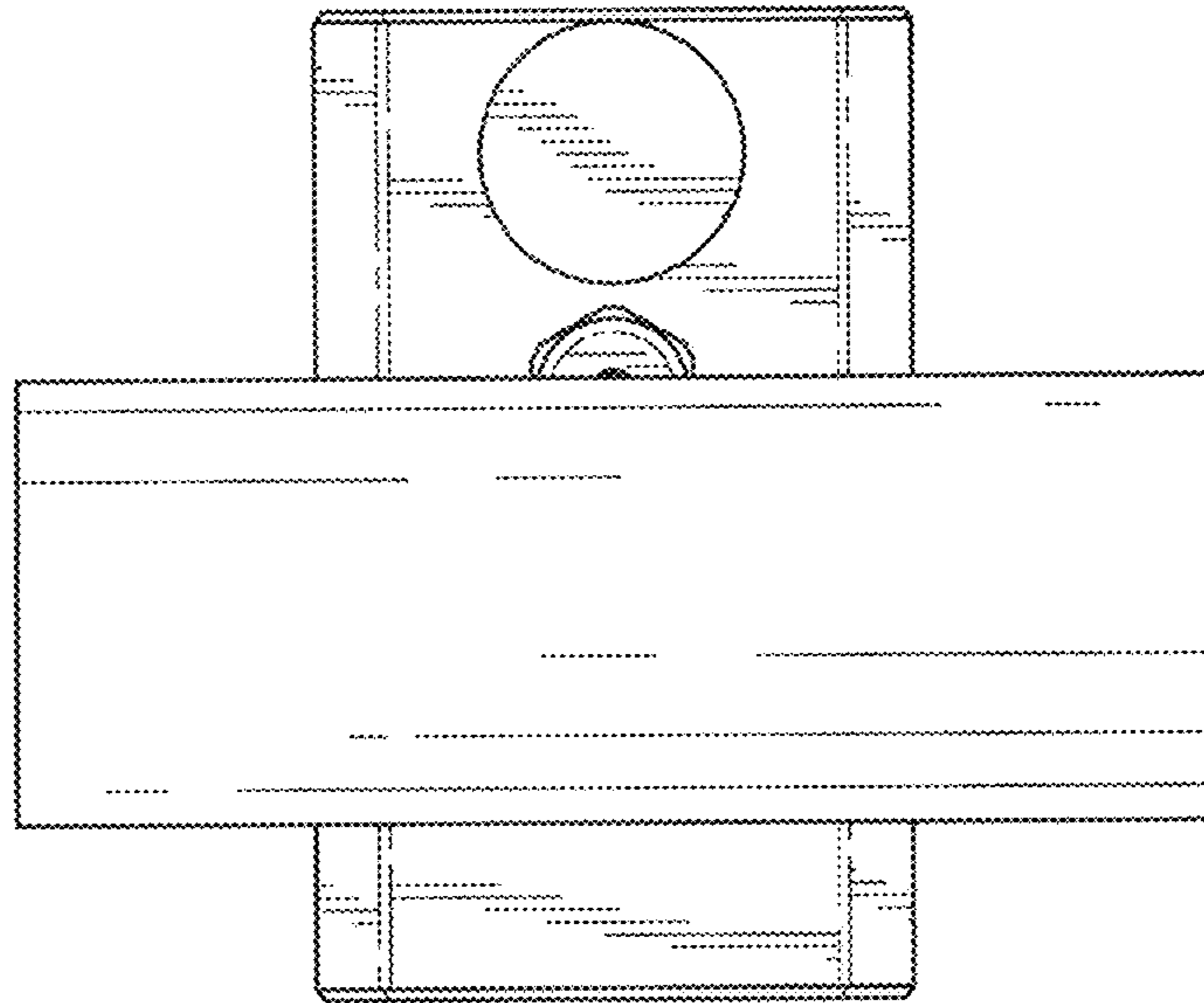


FIG. 4

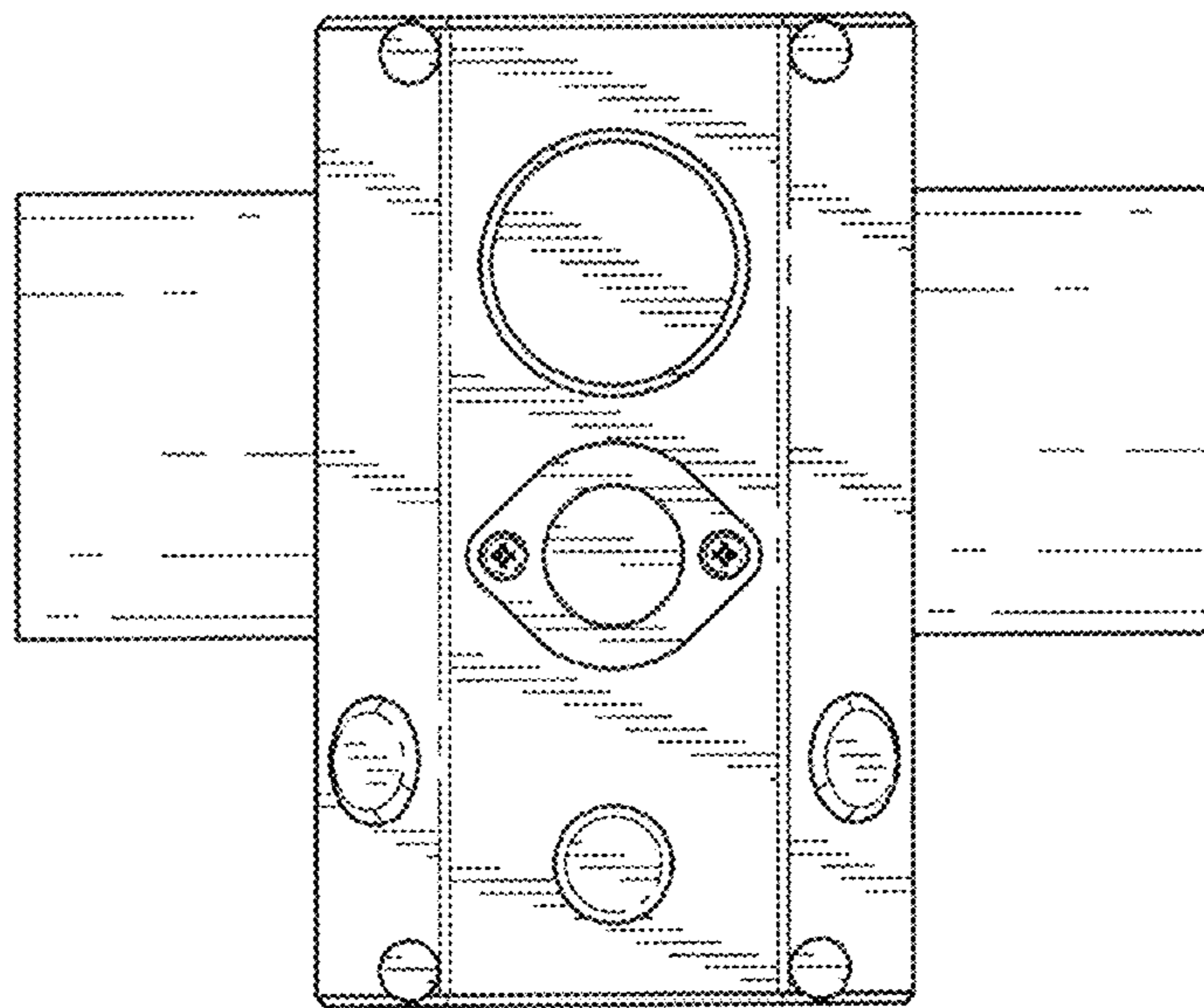


FIG. 5

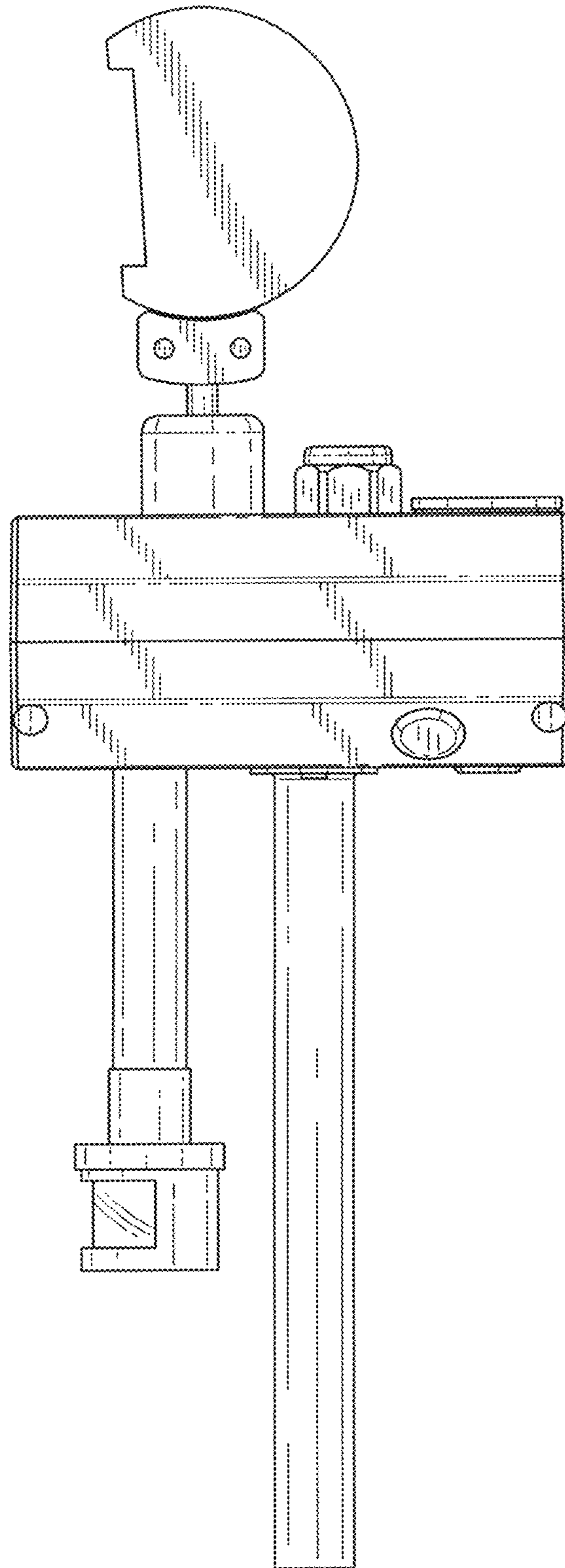


FIG. 6

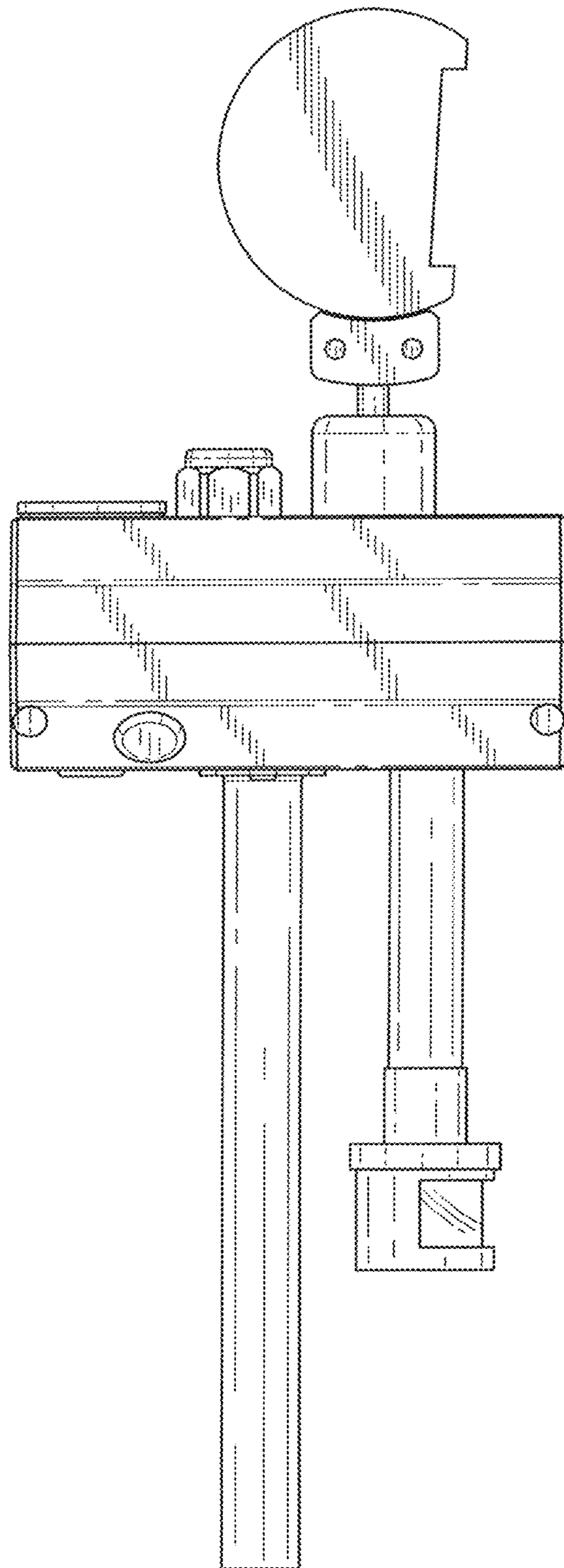


FIG. 7