



US00D982196S

(12) **United States Design Patent** (10) **Patent No.:** **US D982,196 S**  
**Tran** (45) **Date of Patent:** **\*\* Mar. 28, 2023**

(54) **VEHICLE REAR TAILLAMP**  
(71) Applicant: **JAGUAR LAND ROVER LIMITED**,  
Coventry (GB)  
(72) Inventor: **Marc Tran**, Coventry (GB)  
(73) Assignee: **JAGUAR LAND ROVER LIMITED**,  
Coventry (GB)

(\*\*) Term: **15 Years**  
(21) Appl. No.: **29/743,543**  
(22) Filed: **Jul. 22, 2020**

(30) **Foreign Application Priority Data**  
Jan. 24, 2020 (EM) ..... 007554258-0007  
(51) **LOC (14) Cl.** ..... **26-06**  
(52) **U.S. Cl.**  
USPC ..... **D26/28**  
(58) **Field of Classification Search**  
USPC ..... D26/28, 29, 30, 31, 32, 33, 34, 35, 36  
CPC .. F21S 41/33; F21S 41/60; F21S 41/00; F21S  
43/00; F21S 41/141; F21S 41/162; F21S  
41/18; F21S 41/20; F21S 41/36; F21F  
21/04; F21W 2103/40; F21W 2103/35;  
F21W 2107/17; F21W 2107/13  
See application file for complete search history.

(56) **References Cited**  
U.S. PATENT DOCUMENTS  
D823,499 S \* 7/2018 Peat ..... D26/28  
D846,768 S \* 4/2019 Thomas ..... D26/28  
D871,622 S \* 12/2019 Jobling ..... D26/28  
D871,623 S \* 12/2019 Tovey ..... D26/28  
D872,326 S \* 1/2020 Tovey ..... D26/28  
D875,278 S \* 2/2020 Jobling ..... D26/28  
D880,735 S \* 4/2020 Jobling ..... D26/28  
D908,936 S \* 1/2021 Chan ..... D26/28

D919,138 S \* 5/2021 Loisch ..... D26/28  
D919,847 S \* 5/2021 Piaskowski ..... D26/28  
D920,552 S \* 5/2021 Runde ..... D26/28  
D924,451 S \* 7/2021 Nagasaka ..... D26/28  
D925,790 S \* 7/2021 Jobling ..... D26/28  
D934,470 S \* 10/2021 Chan ..... D26/28  
D937,451 S \* 11/2021 Tovey ..... D26/28  
D939,740 S \* 12/2021 Jobling ..... D26/28  
D944,427 S \* 2/2022 Tovey ..... D26/28

\* cited by examiner

*Primary Examiner* — Angela J Lee  
(74) *Attorney, Agent, or Firm* — Reising Ethington P.C.

(57) **CLAIM**

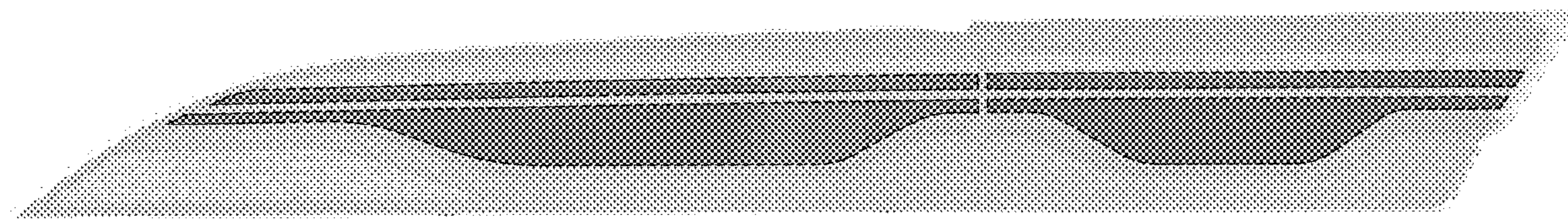
The ornamental design for a vehicle rear taillamp, as shown and described.

**DESCRIPTION**

FIG. 1 is a frontside perspective view of the vehicle rear taillamp residing on a driver-side of a vehicle;  
FIG. 2 is a front view thereof;  
FIG. 3 is a right side view thereof;  
FIG. 4 is a left side view thereof;  
FIG. 5 is a top view thereof;  
FIG. 6 is a bottom view thereof;  
FIG. 7 is a rearside perspective view thereof; and,  
FIG. 8 is a rear view thereof.

The claim is directed to the darker tonal value portions of the vehicle rear taillamp that are bounded by the broken lines. The broken lines in the drawings represent the bounds of the claimed design; it is understood that the claimed design extends to the boundary but does not include the boundary. The part of the image shown in a lighter tonal value outside the broken-line perimeter boundary lines illustrates portions of the vehicle rear taillamp that form no part of the claimed design. A second embodiment is the passenger-side vehicle rear taillamp which is a mirror image of this driver-side vehicle rear taillamp shown in the drawings.

**1 Claim, 8 Drawing Sheets**



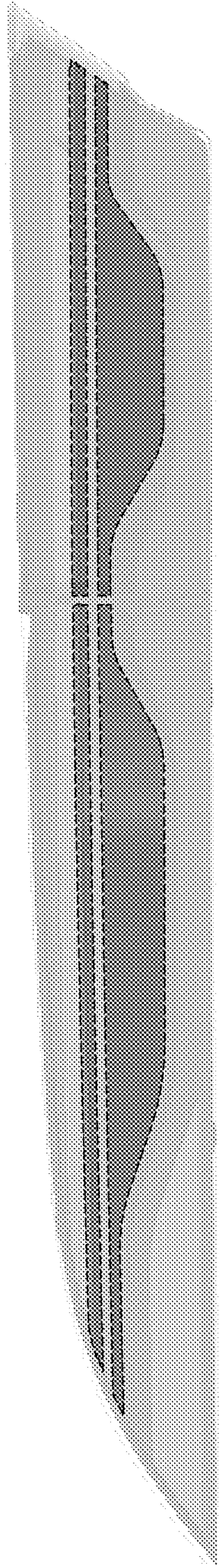


FIG. 1

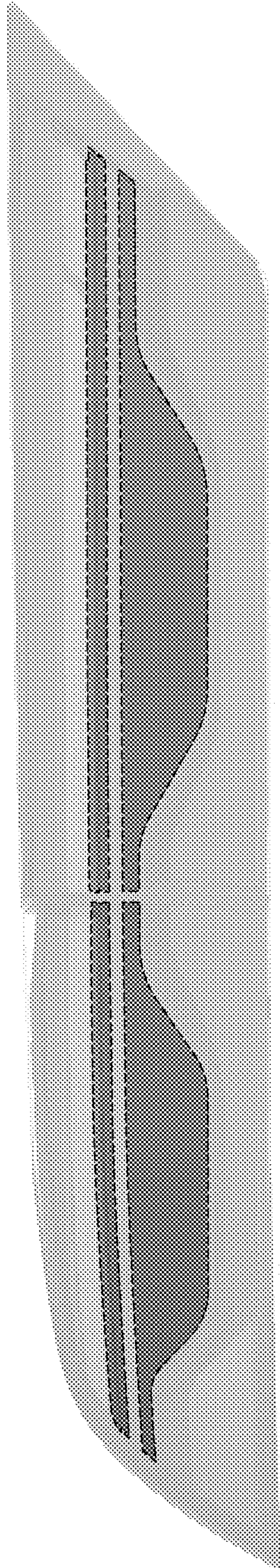


FIG. 2

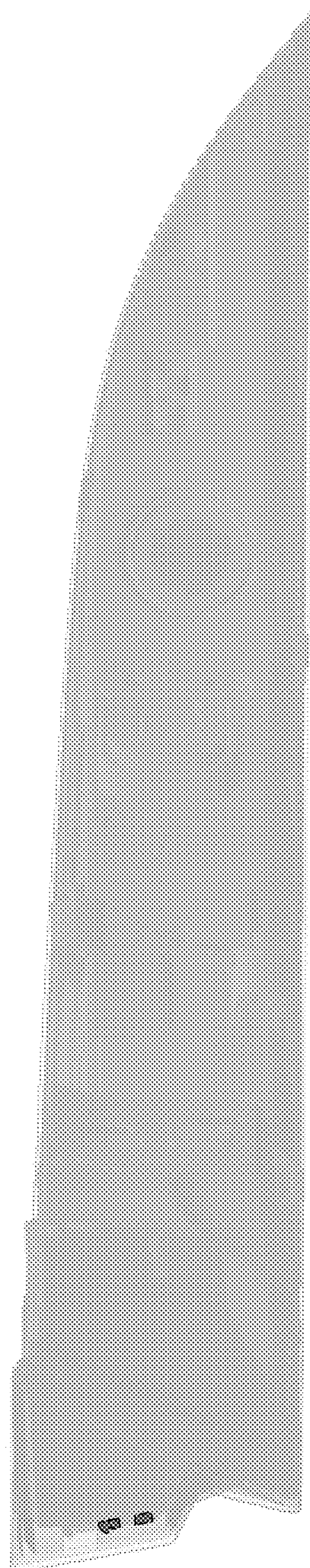


FIG. 3

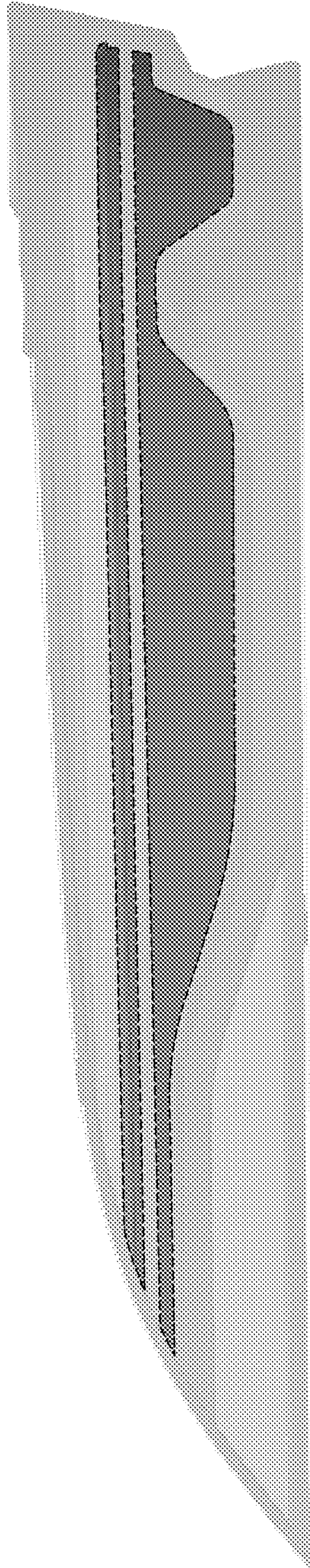


FIG. 4

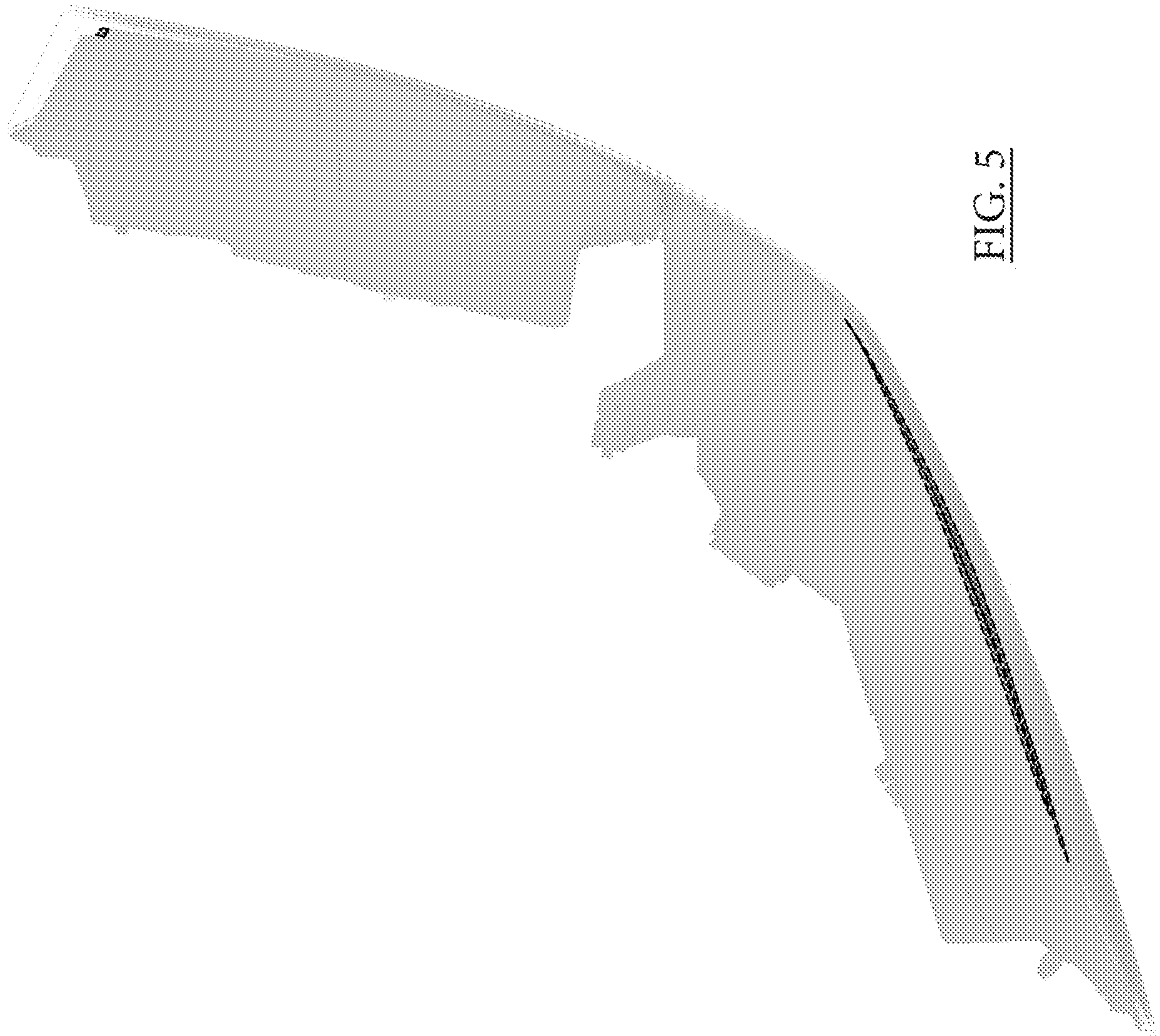


FIG. 5

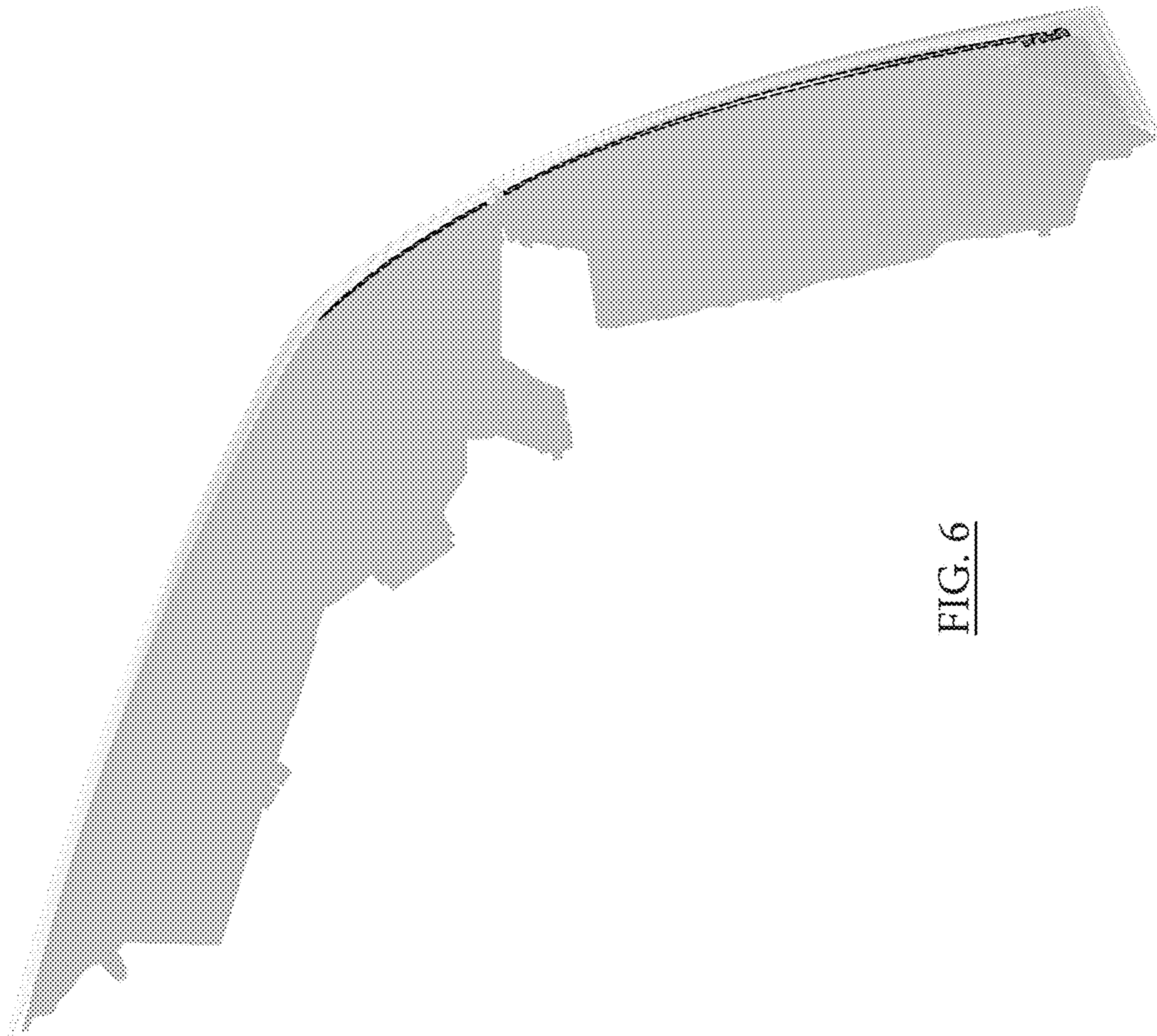


FIG. 6

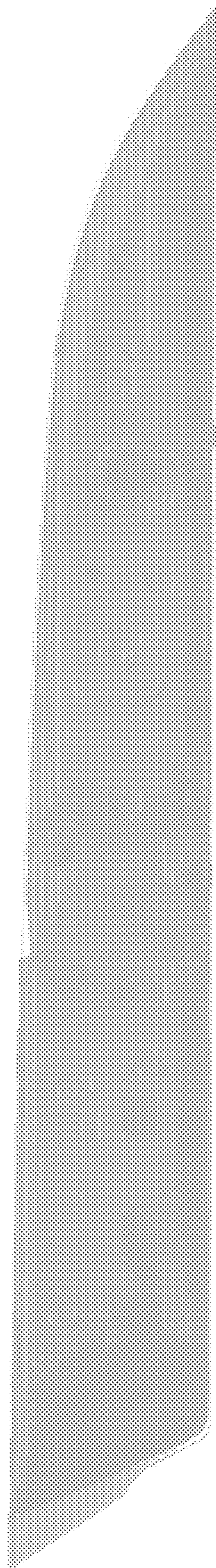


FIG. 7



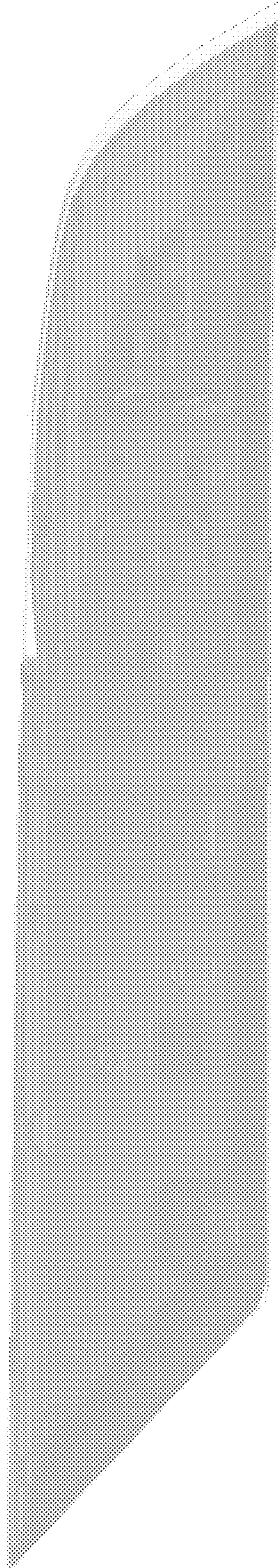


FIG. 8