



US00D982192S

(12) **United States Design Patent**
Chai

(10) **Patent No.:** **US D982,192 S**
(45) **Date of Patent:** **** Mar. 28, 2023**

(54) **LED POOL LIGHT**

(71) Applicant: **Qun Chai**, Guangdong (CN)

(72) Inventor: **Qun Chai**, Guangdong (CN)

(**) Term: **15 Years**

(21) Appl. No.: **29/840,002**

(22) Filed: **May 25, 2022**

(51) **LOC (14) Cl.** **26-04**

(52) **U.S. Cl.**
USPC **D26/2**

(58) **Field of Classification Search**
USPC D26/1-5, 24, 26
CPC F21V 5/00; F21V 6/00; F21V 7/05; F21V
7/06; F21V 9/00; F21V 21/044; F21V
21/047; F21V 21/049; F21Y 2115/10;
F21S 8/02; F21S 8/026

See application file for complete search history.

(56) **References Cited**

U.S. PATENT DOCUMENTS

D610,722 S *	2/2010	Bi	D26/2
D631,574 S *	1/2011	Yoshinobu	D26/2
D644,352 S *	8/2011	Layevsky	D26/2
D645,996 S *	9/2011	Wey	D26/2
D668,360 S *	10/2012	Lee	D26/2
D705,456 S *	5/2014	Yan	D26/2

D709,641 S *	7/2014	Maxik	D26/113
D814,071 S	3/2018	Lin		
D907,257 S	1/2021	Shalvi		
D907,258 S	1/2021	Chai		
D910,213 S	2/2021	Singh		
D910,887 S	2/2021	Singh		
D910,888 S	2/2021	Singh		
D918,432 S	5/2021	Chen		
D920,566 S	5/2021	Wei		
D928,995 S	8/2021	Wang et al.		
D932,064 S	9/2021	Wang et al.		
D948,085 S	4/2022	Lu et al.		
D963,015 S *	9/2022	Scalisi	D16/203

* cited by examiner

Primary Examiner — Keli L Hill

(57) **CLAIM**

The ornamental design for an LED pool light, as shown and described.

DESCRIPTION

FIG. 1 is a top perspective view of an LED pool light showing my new design.

FIG. 2 is a bottom perspective view of an LED pool light.

FIG. 3 is a front view of an LED pool light.

FIG. 4 is a rear view of an LED pool light.

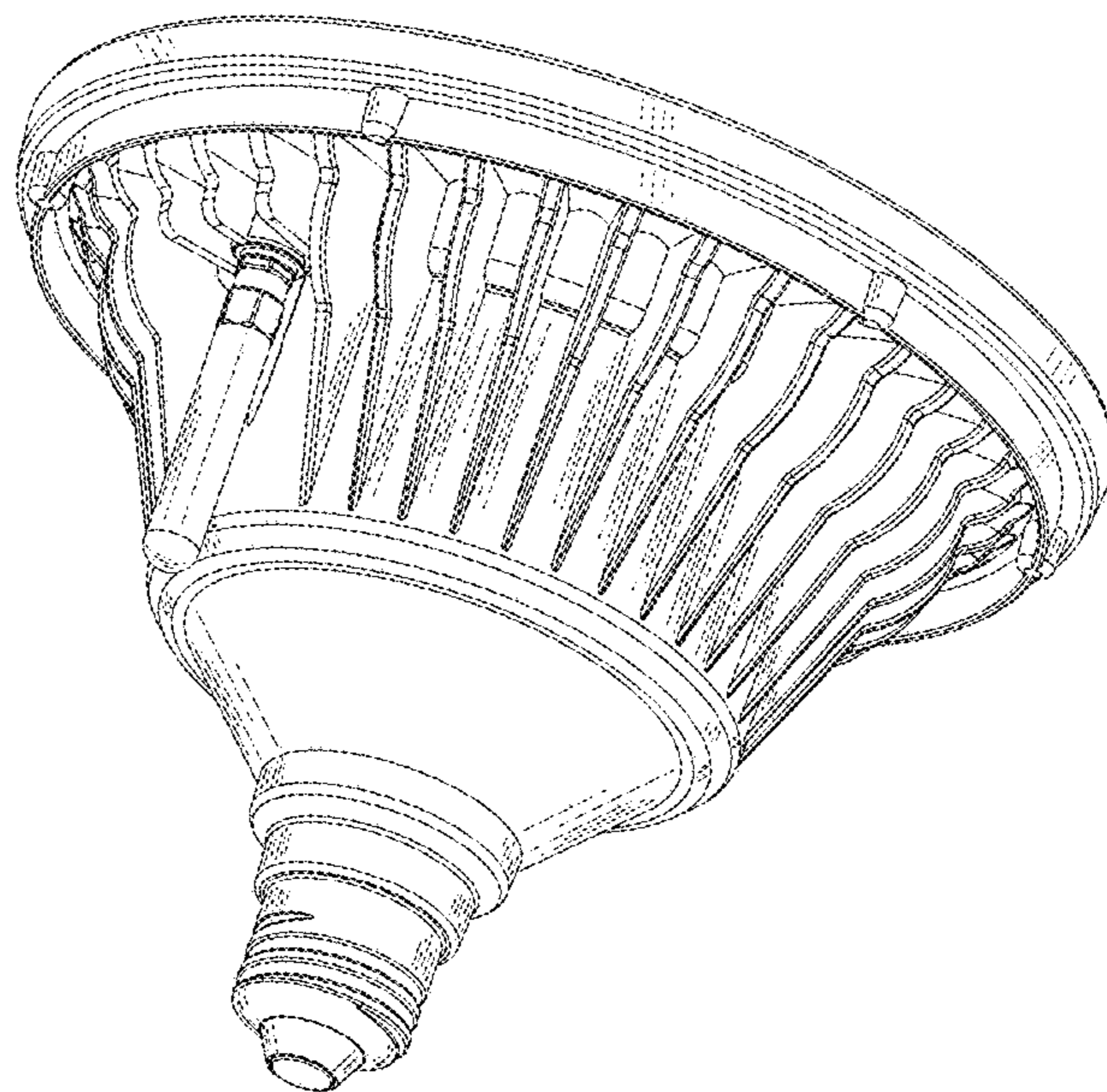
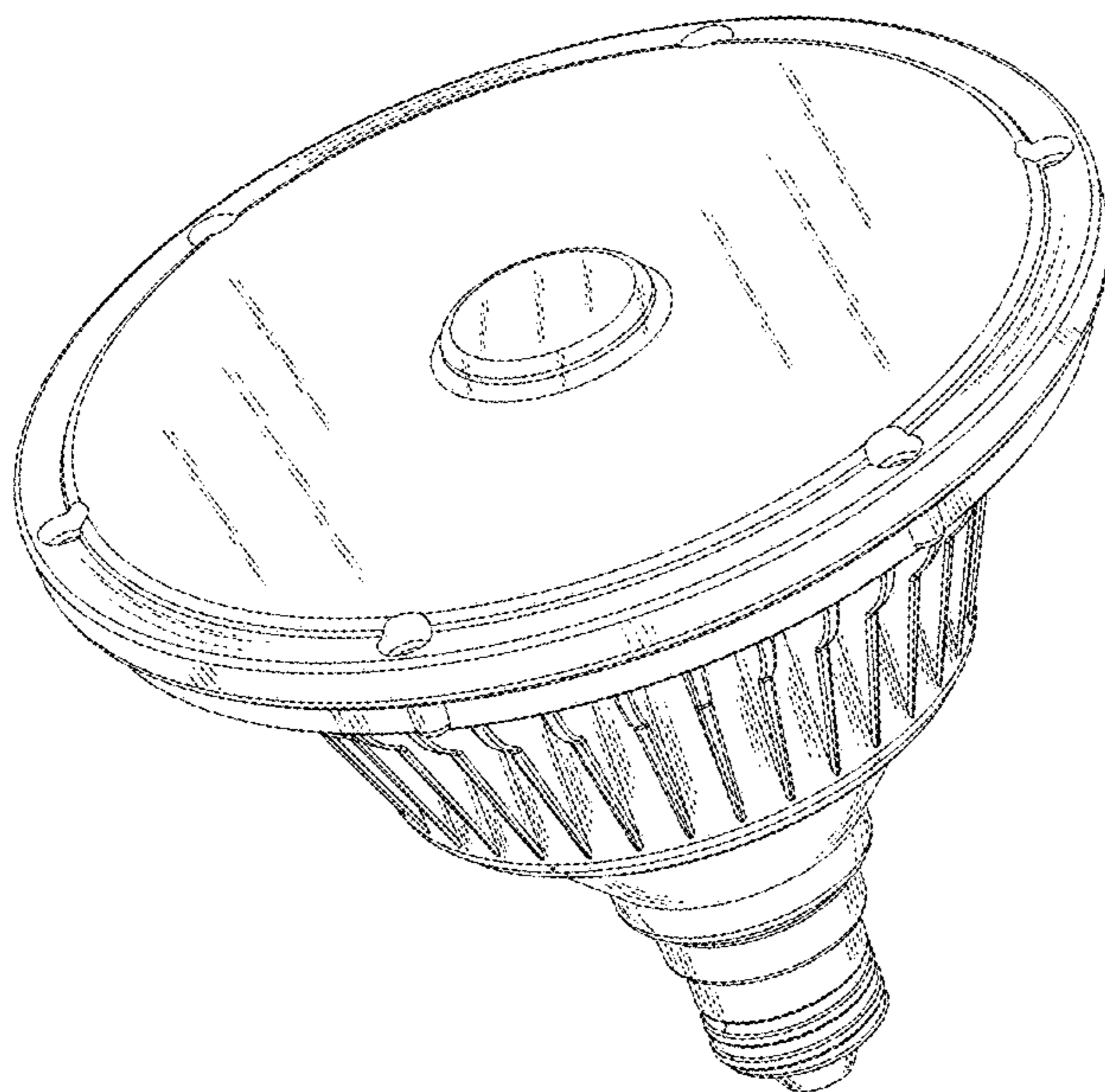
FIG. 5 is a left side view of an LED pool light.

FIG. 6 is a right side view of an LED pool light.

FIG. 7 is a top view of an LED pool light; and,

FIG. 8 is a bottom view of an LED pool light.

1 Claim, 8 Drawing Sheets



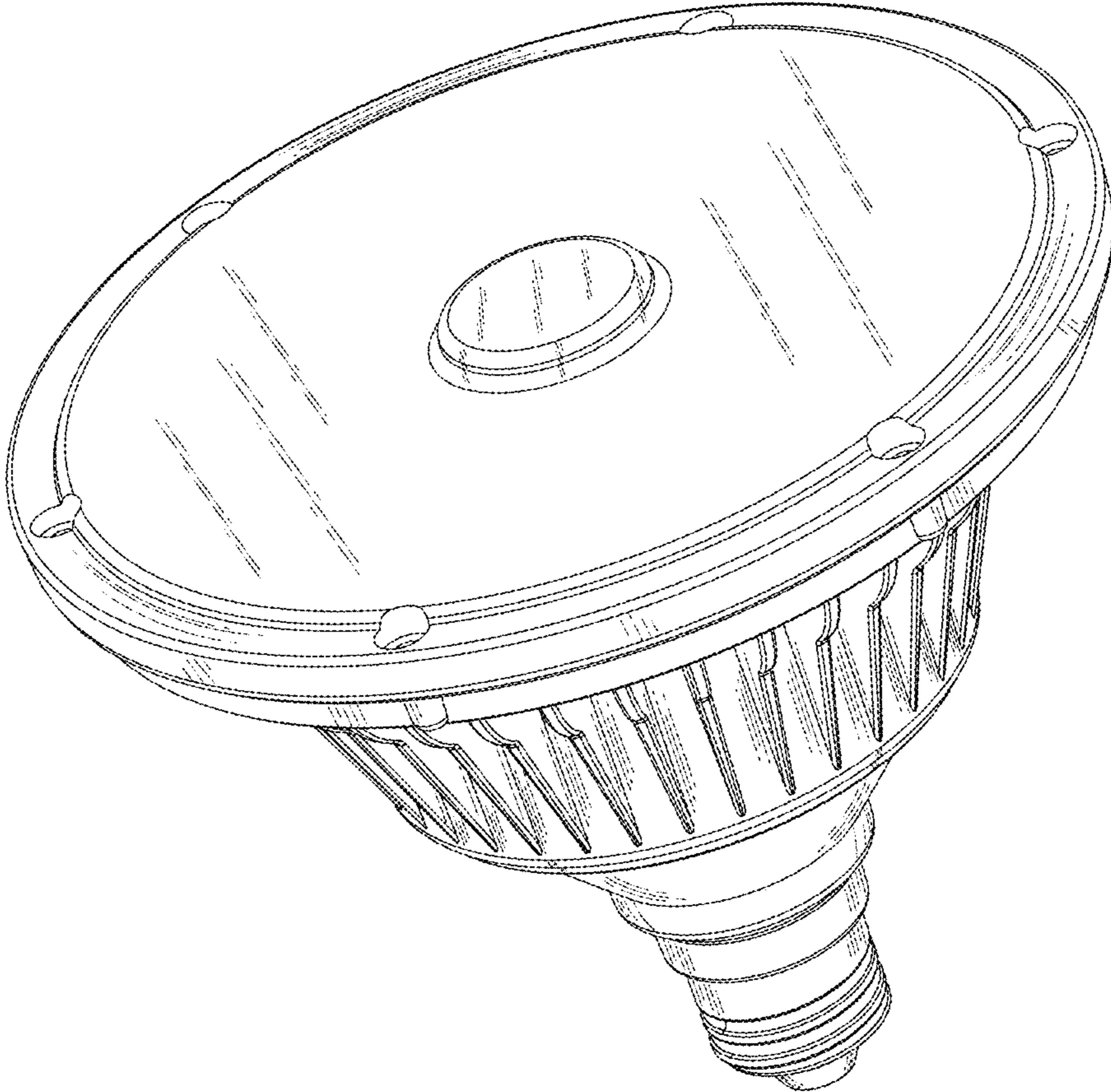


FIG. 1

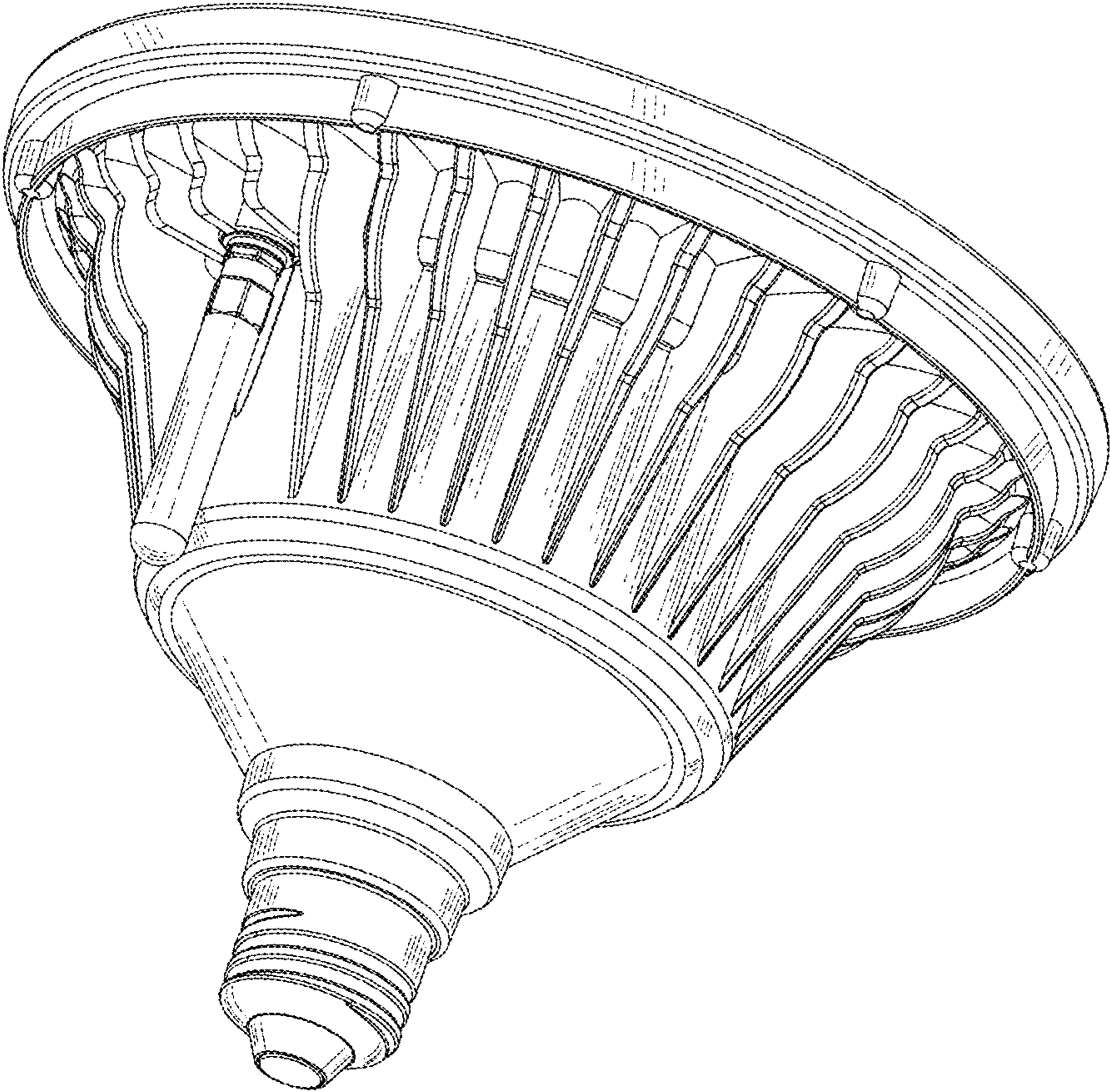


FIG. 2

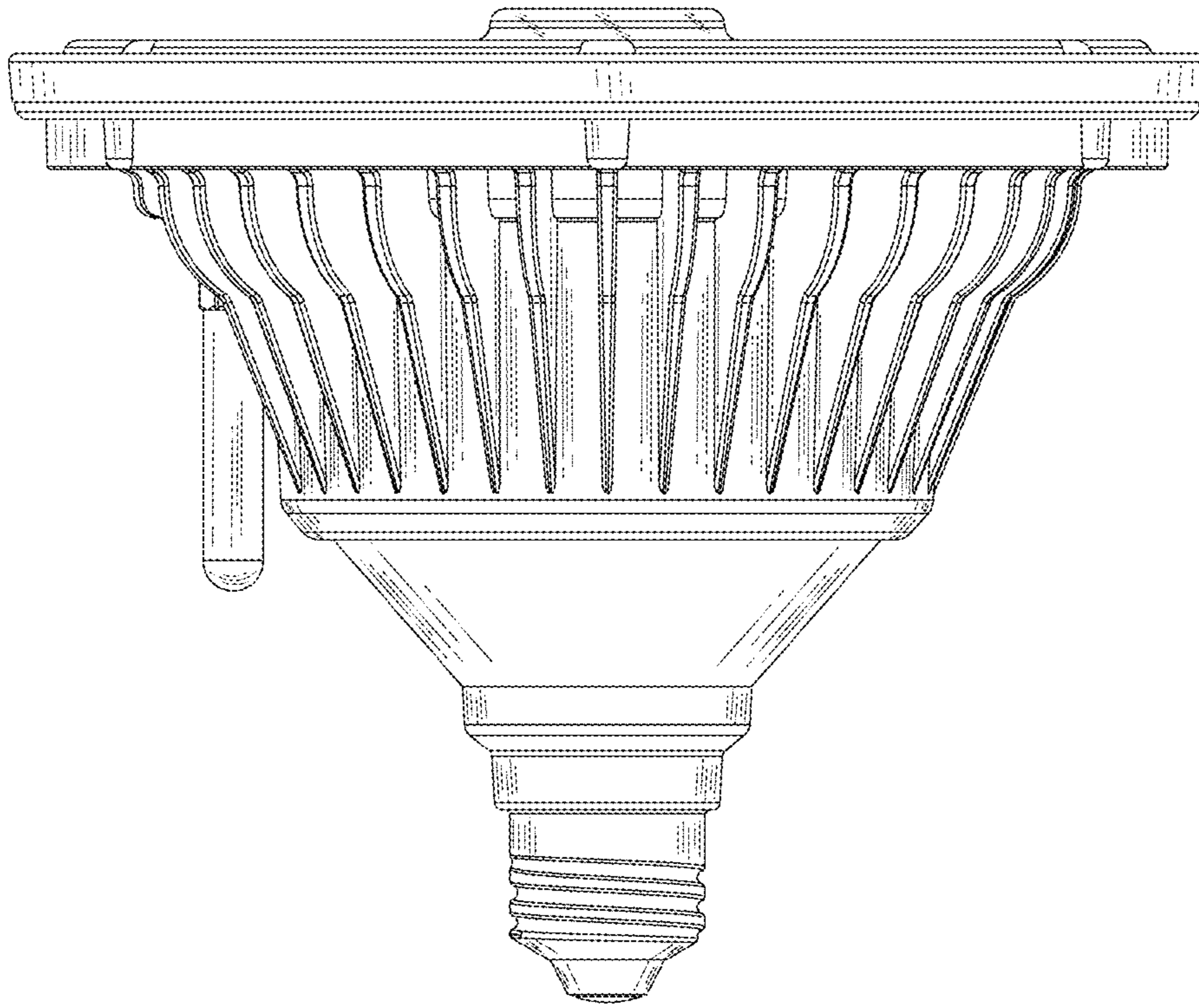


FIG. 3

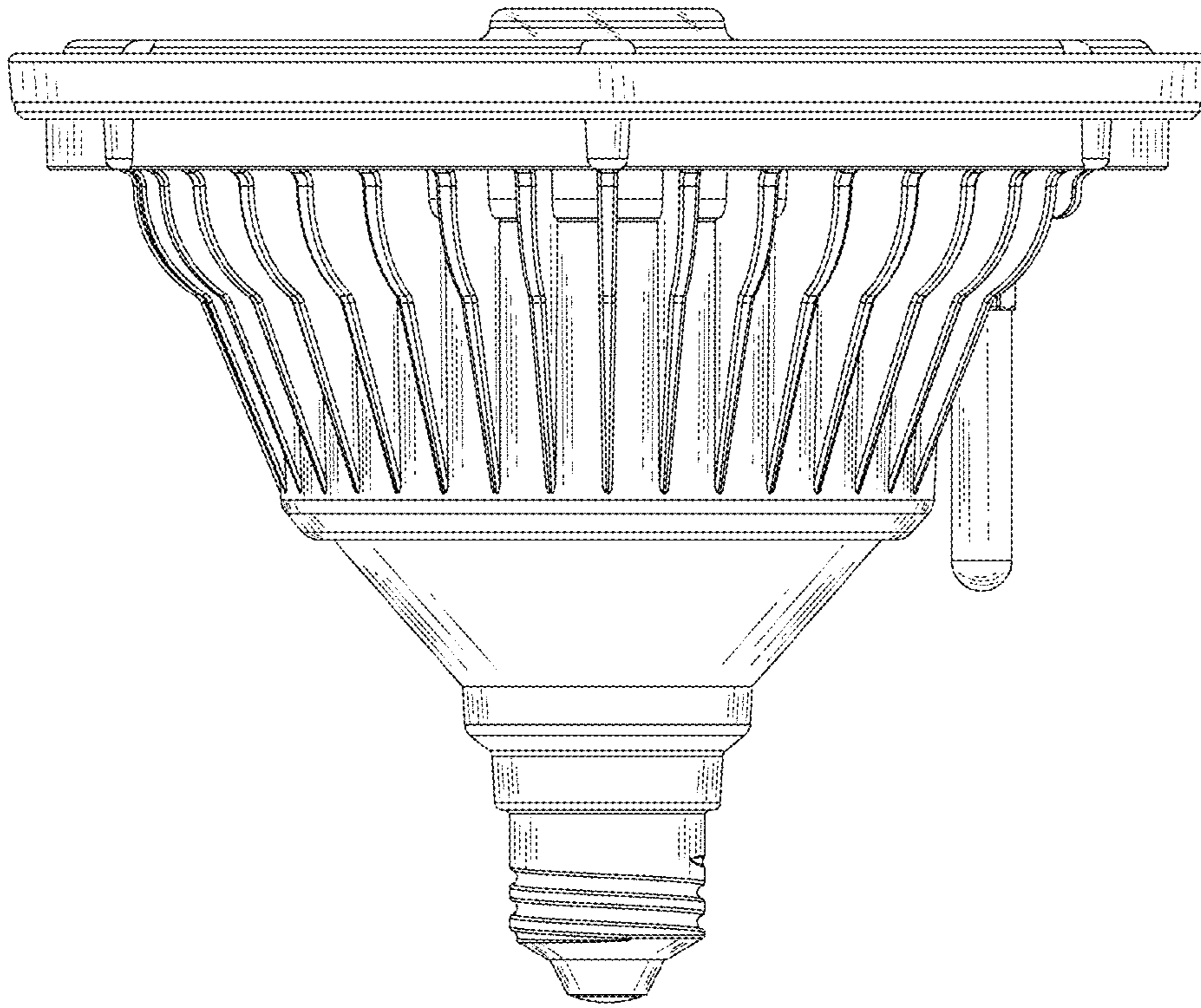


FIG. 4

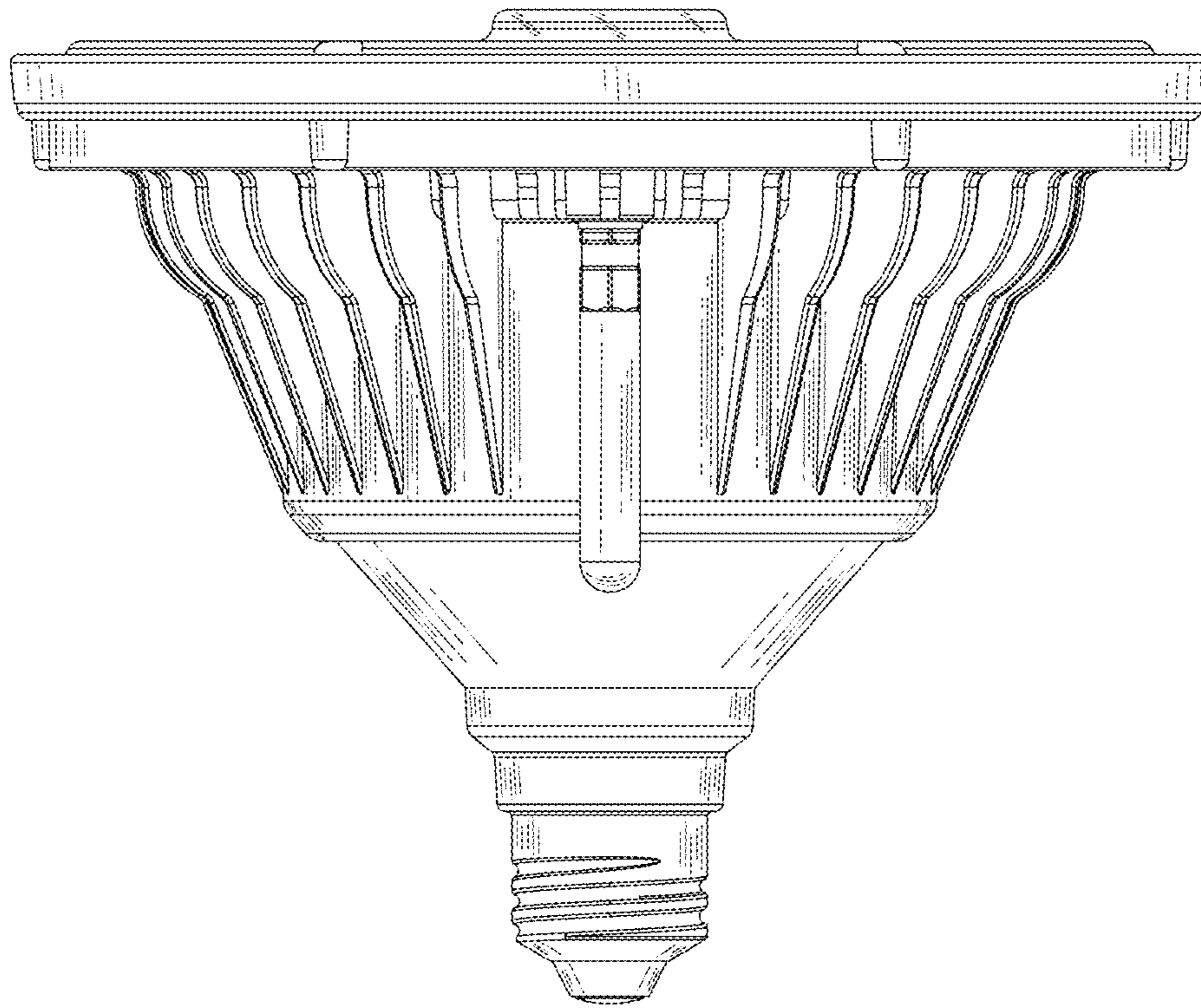


FIG. 5

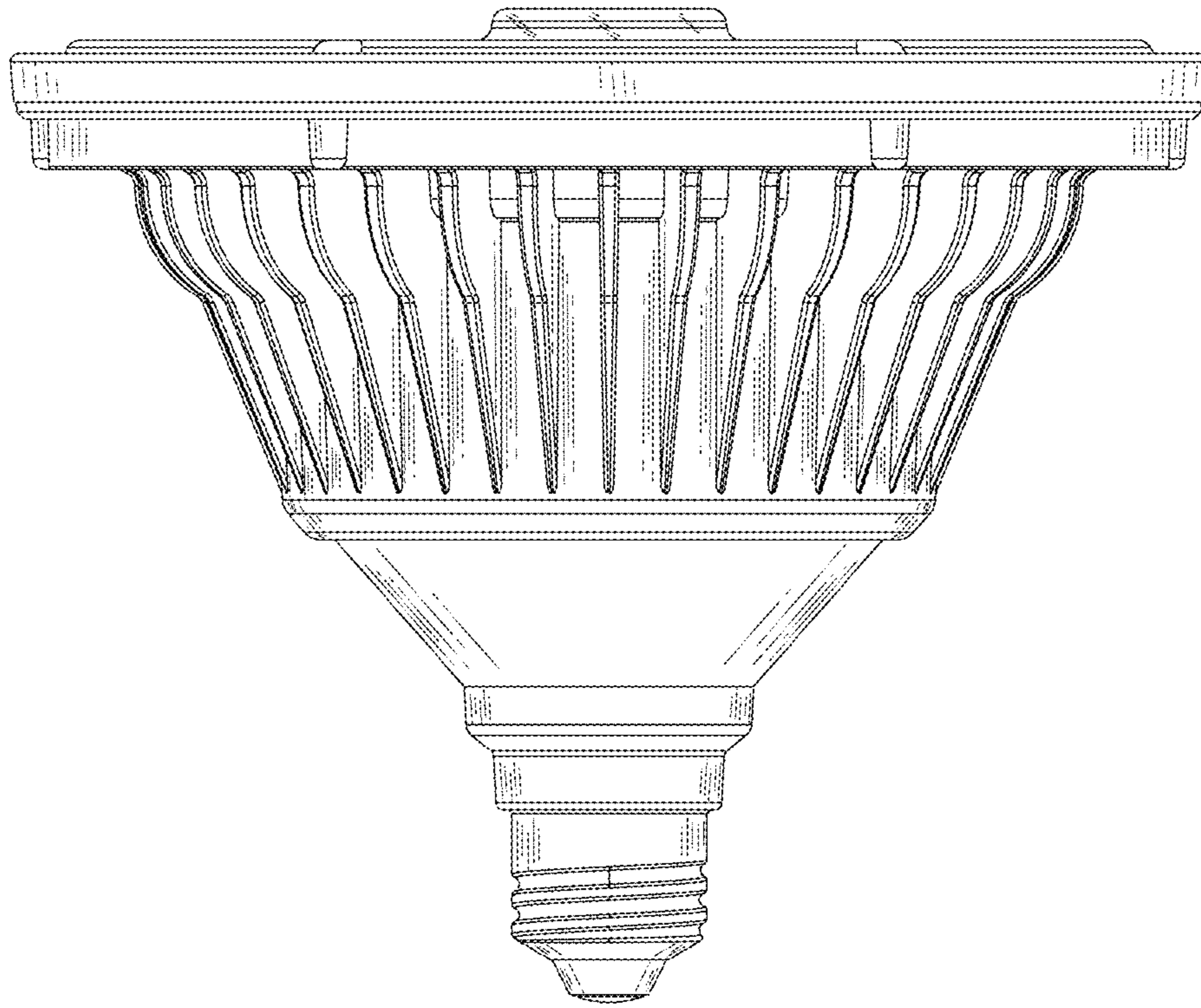


FIG. 6

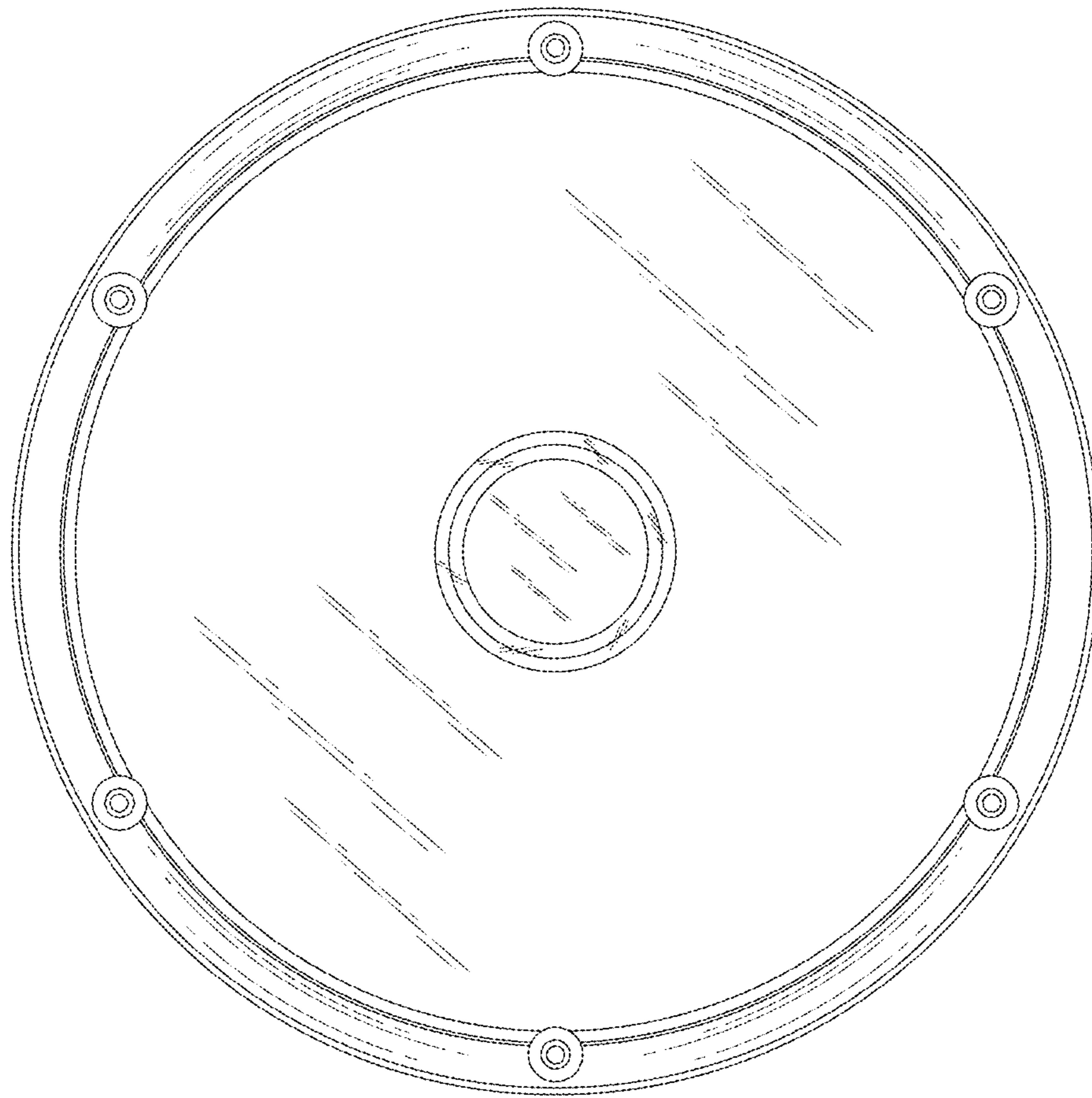


FIG. 7

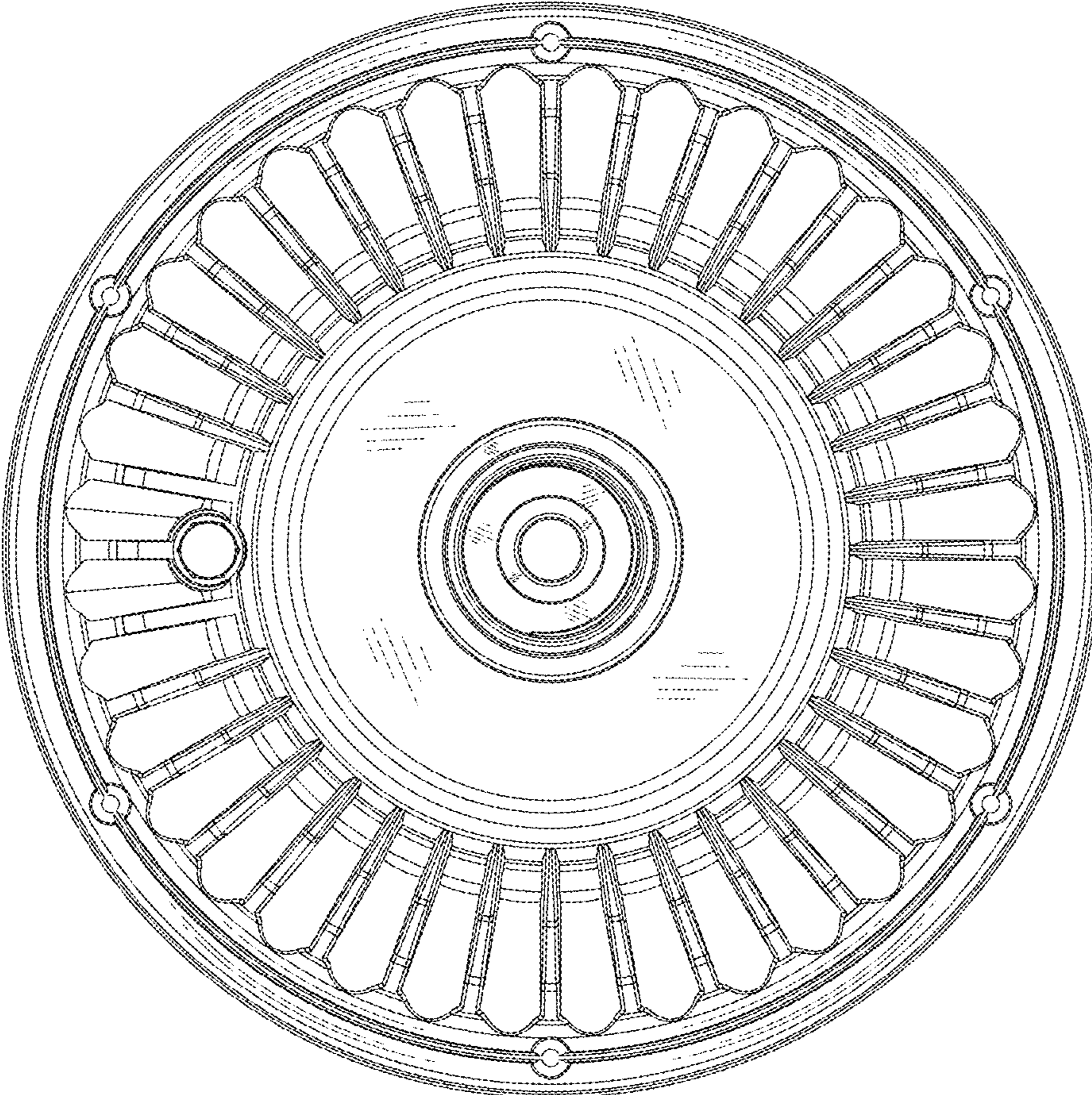


FIG. 8