



US00D982191S

(12) **United States Design Patent**  
**Wang**

(10) **Patent No.:** **US D982,191 S**  
(45) **Date of Patent:** **\*\* Mar. 28, 2023**

- (54) **LIGHT BULB**
- (71) Applicant: **DONGGUAN HUIHUAN LIGHTING CO., LTD.**, Dongguan (CN)
- (72) Inventor: **Song Wang**, Chengdu (CN)
- (73) Assignee: **DONGGUAN HUIHUAN LIGHTING CO., LTD.**, Dongguan (CN)
- (\*\*) Term: **15 Years**
- (21) Appl. No.: **29/809,833**
- (22) Filed: **Sep. 30, 2021**
- (51) **LOC (14) Cl.** ..... **26-04**
- (52) **U.S. Cl.**  
USPC ..... **D26/2**
- (58) **Field of Classification Search**  
USPC ..... D26/1-4, 24, 26, 40, 42, 49, 75, 78, 93, D26/113  
CPC ... F21K 9/23; F21K 9/232; F21V 3/00; F21V 3/02; F21V 19/001; F21V 29/74; F21V 29/76; F21V 29/83; F21V 29/677; F21Y 2115/10; H01J 9/006; Y10S 362/80  
See application file for complete search history.

D917,737 S \* 4/2021 Zheng ..... D26/2  
 11,215,327 B1 \* 1/2022 Wang ..... F21K 9/232  
 11,543,085 B1 \* 1/2023 Lei ..... F21K 9/237

**FOREIGN PATENT DOCUMENTS**

CN 307121415 \* 2/2022

**OTHER PUBLICATIONS**

“Westinghouse Lighting 5317500 6.5 Watt (60 Watt Equivalent) G40 Dimmable Clear Filament LED Light Bulb”, available in Amazon.com, date first available Apr. 20, 2021 [online], Jan. 6, 2023, Available from the internet URL: <https://a.co/d/4OjytzC> (Year: 2021).\*

“LED Bulbs 60 Watt Equivalent, 6 Packs 6W Dimmable LED Edison Bulb E26 Vintage LED Light Bulb”, available in Amazon.com, date first available Apr. 8, 2019 [online], Jan. 6, 2023, Available from the internet URL: <https://a.co/d/8CVHnGm> (Year: 2019).\*

\* cited by examiner

*Primary Examiner* — Angela J Lee  
*Assistant Examiner* — Anthony Vincent Rotolo

(57) **CLAIM**

The ornamental design for a light bulb, as shown and described.

**DESCRIPTION**

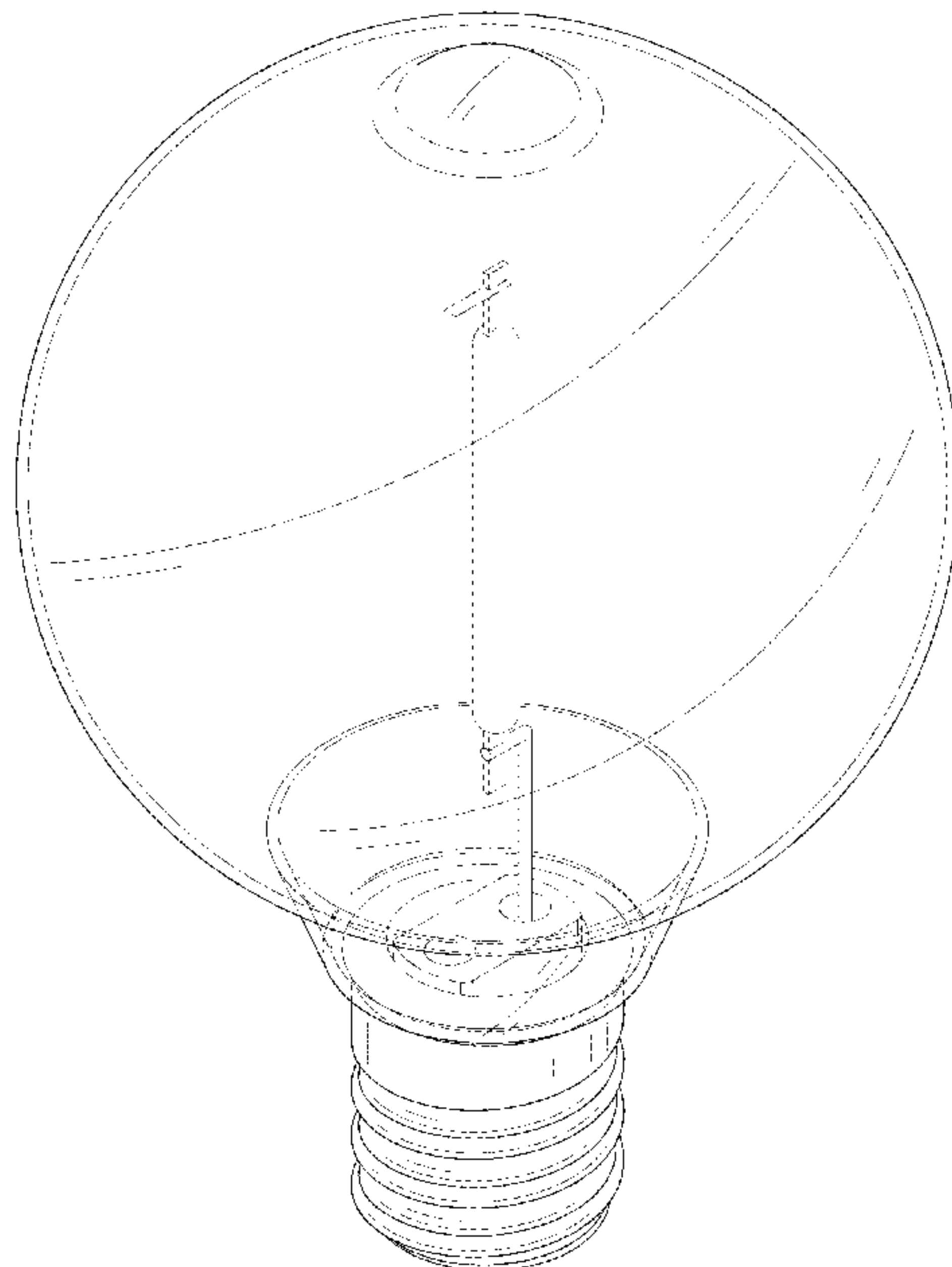
FIG. 1 is a perspective view of a light bulb showing my new design;  
 FIG. 2 is a front elevational view thereof;  
 FIG. 3 is a rear elevational view thereof;  
 FIG. 4 is a left side elevational view thereof;  
 FIG. 5 is a right side elevational view thereof;  
 FIG. 6 is a top plan view thereof; and,  
 FIG. 7 is a bottom plan view thereof.

**1 Claim, 7 Drawing Sheets**

(56) **References Cited**

**U.S. PATENT DOCUMENTS**

- D12,631 S \* 12/1881 Edison ..... D26/2
- D30,856 S \* 5/1899 Davis ..... D26/2
- 1,649,975 A \* 11/1927 Parks ..... H01K 9/08  
313/38
- D638,147 S \* 5/2011 Lukacs ..... D26/3
- D647,636 S \* 10/2011 Guohui ..... D26/2
- D662,625 S \* 6/2012 Yamamoto ..... D26/2
- D827,163 S \* 8/2018 Jiang ..... D26/2
- D854,198 S \* 7/2019 Goscha ..... D26/2
- D863,609 S \* 10/2019 Wang ..... D26/2
- D880,016 S \* 3/2020 Zulauf ..... D26/2



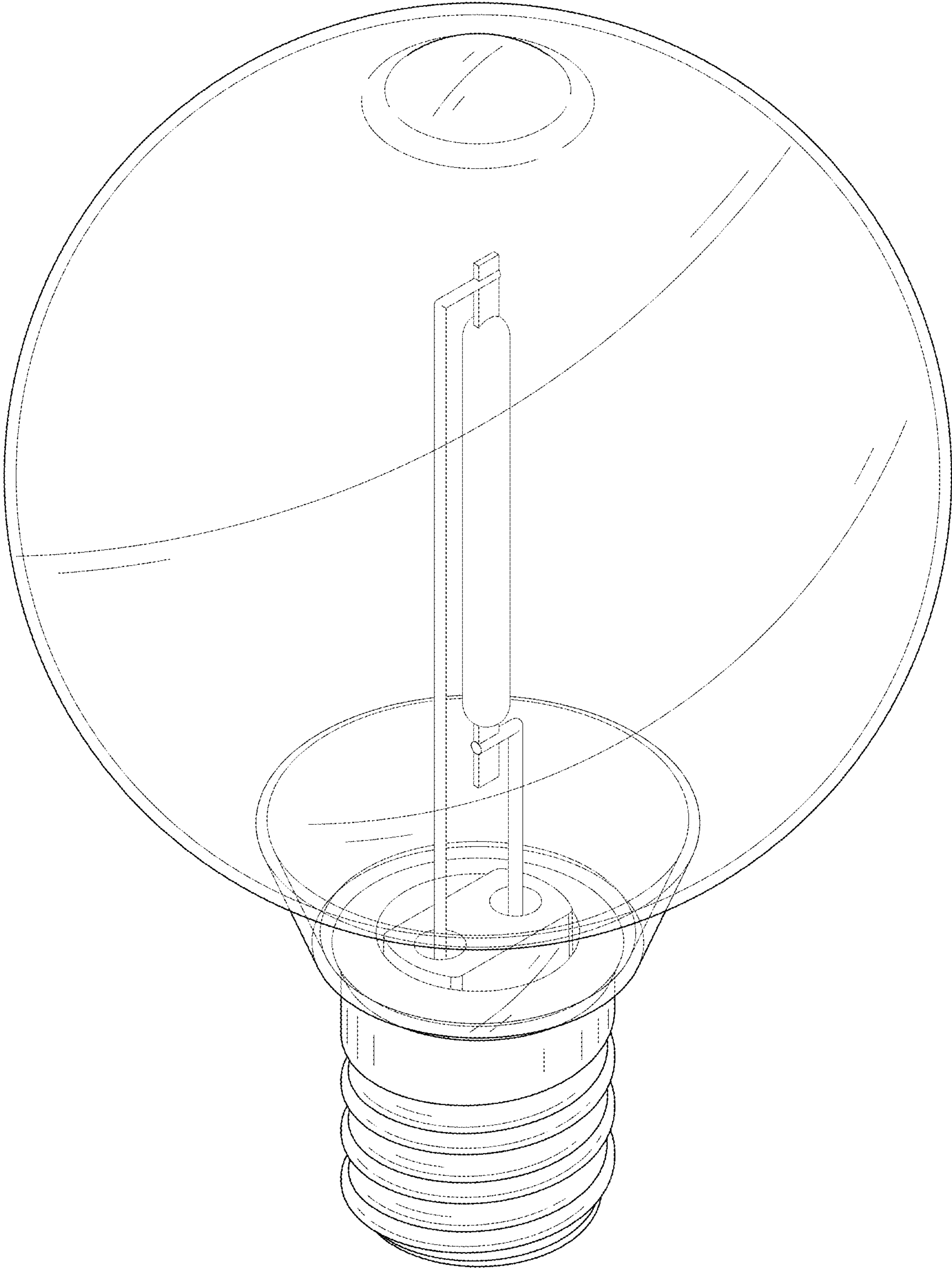


FIG. 1

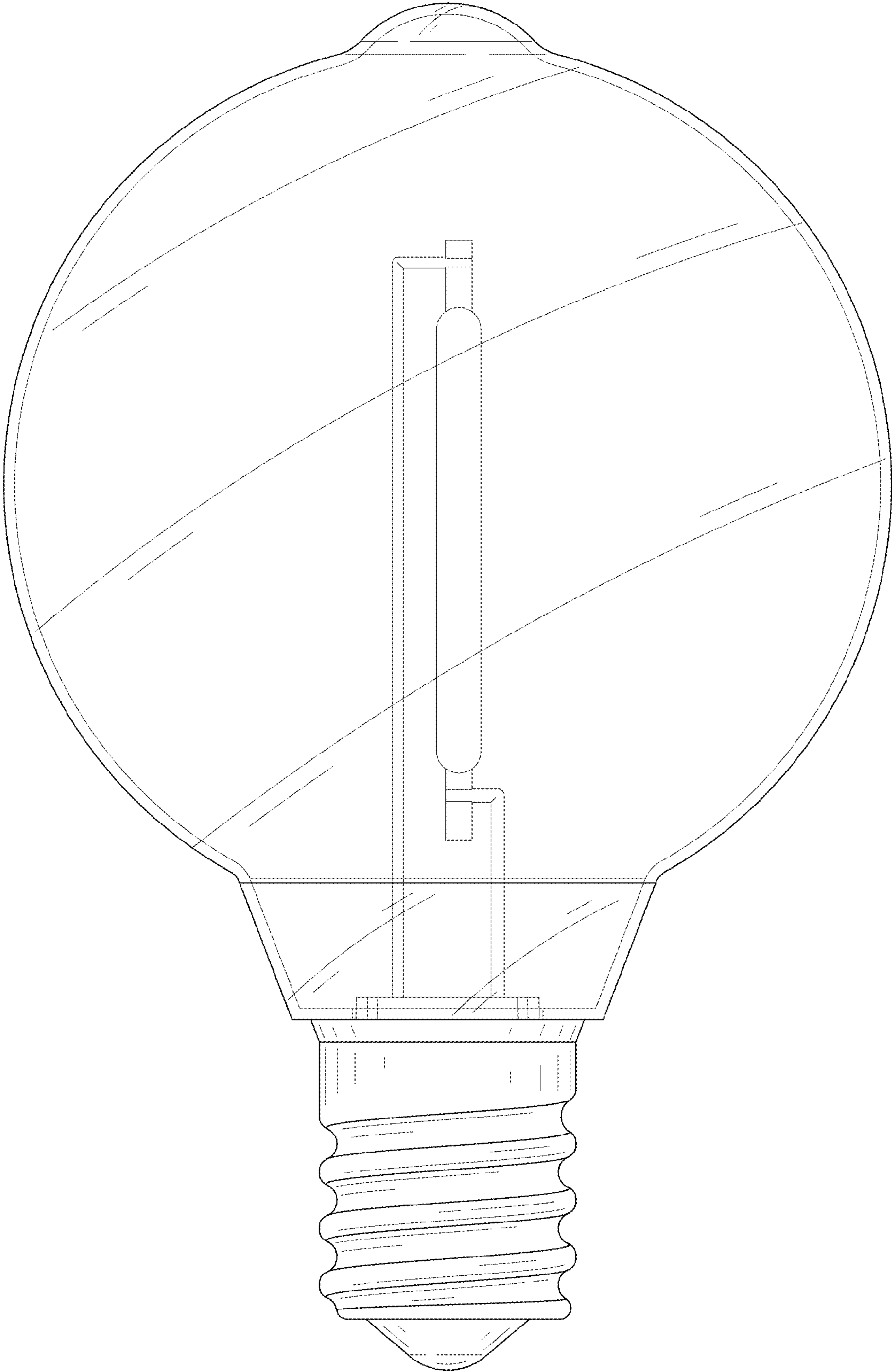


FIG. 2

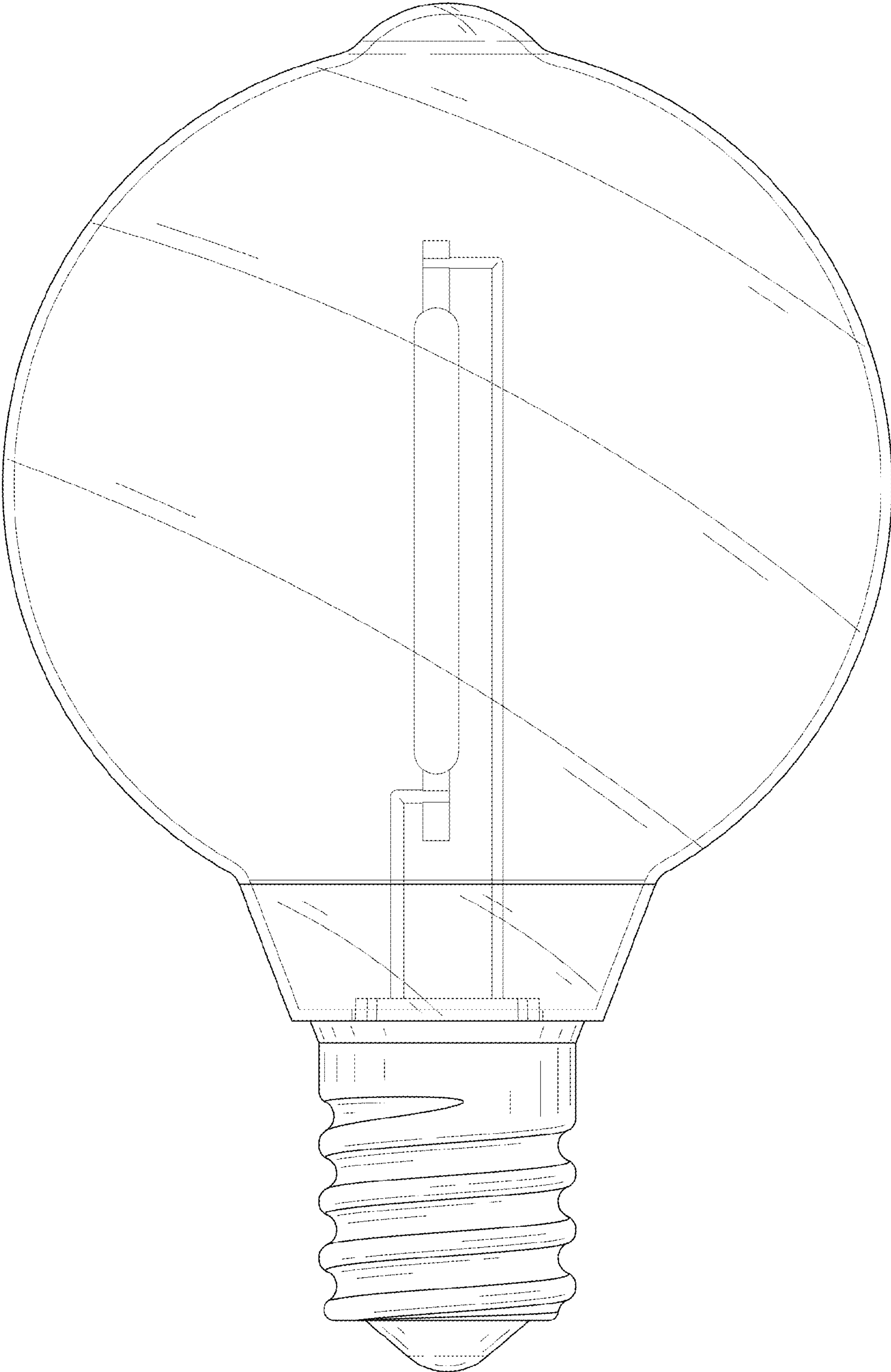


FIG. 3



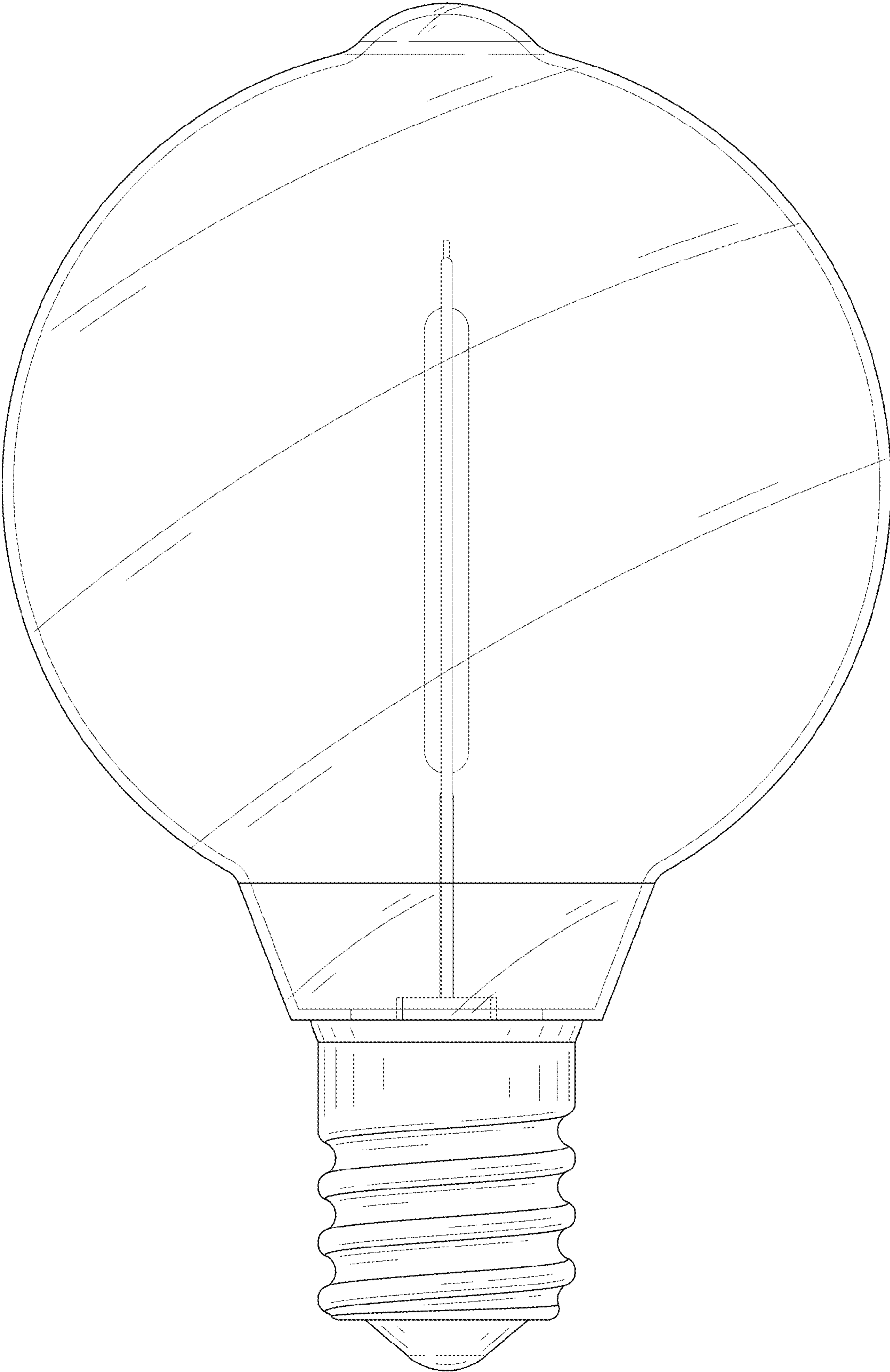


FIG. 4

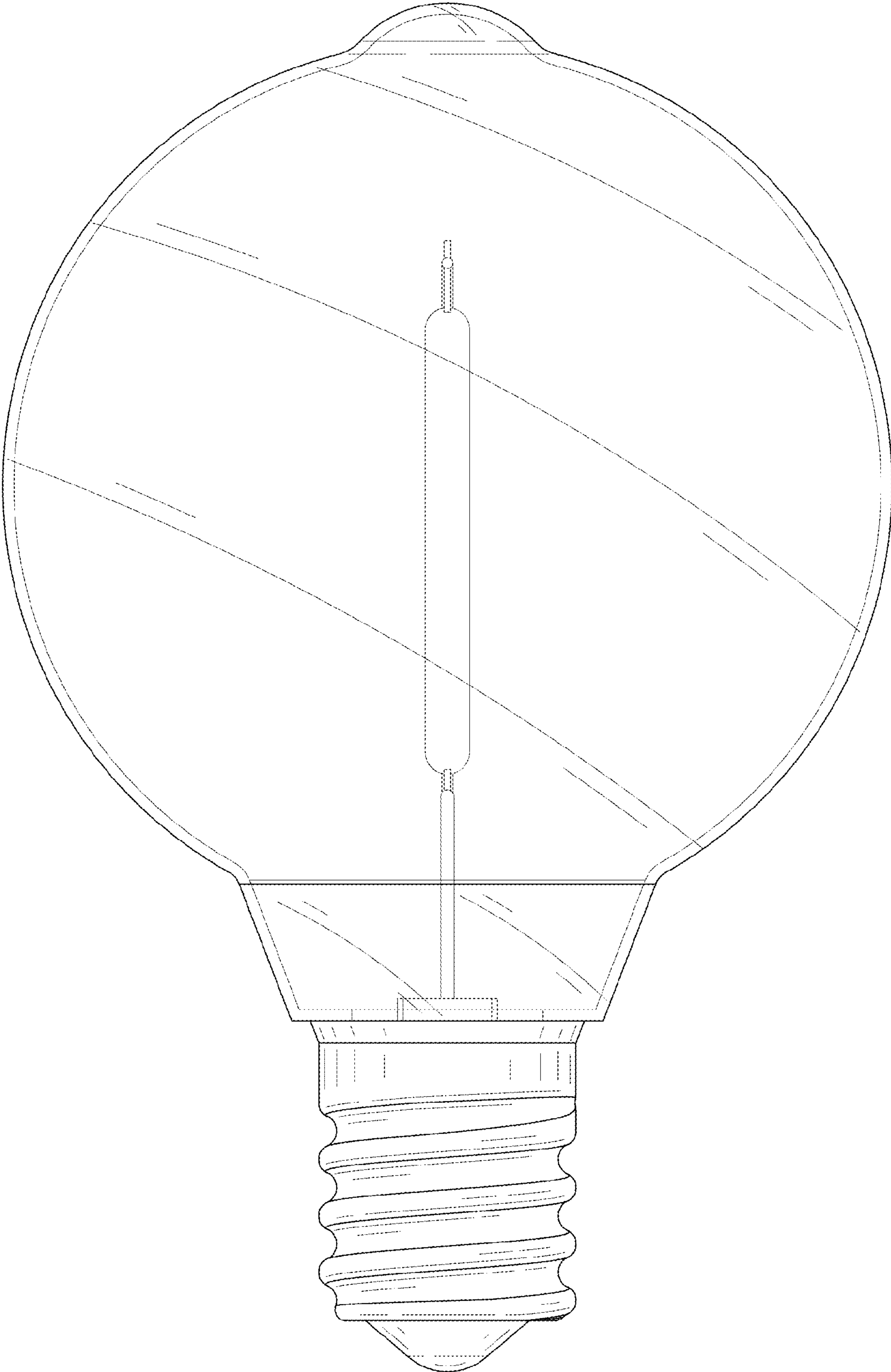


FIG. 5

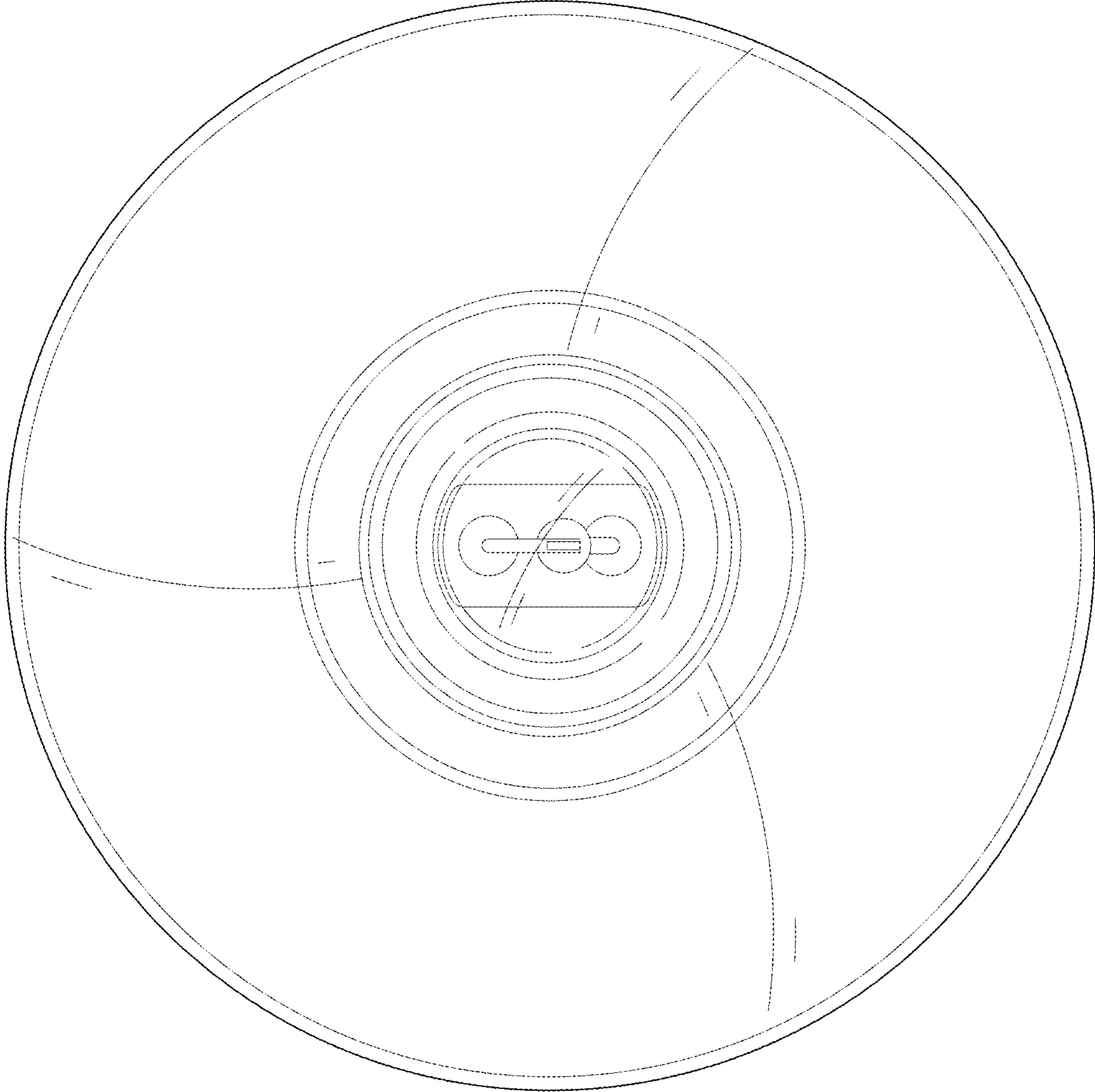


FIG. 6

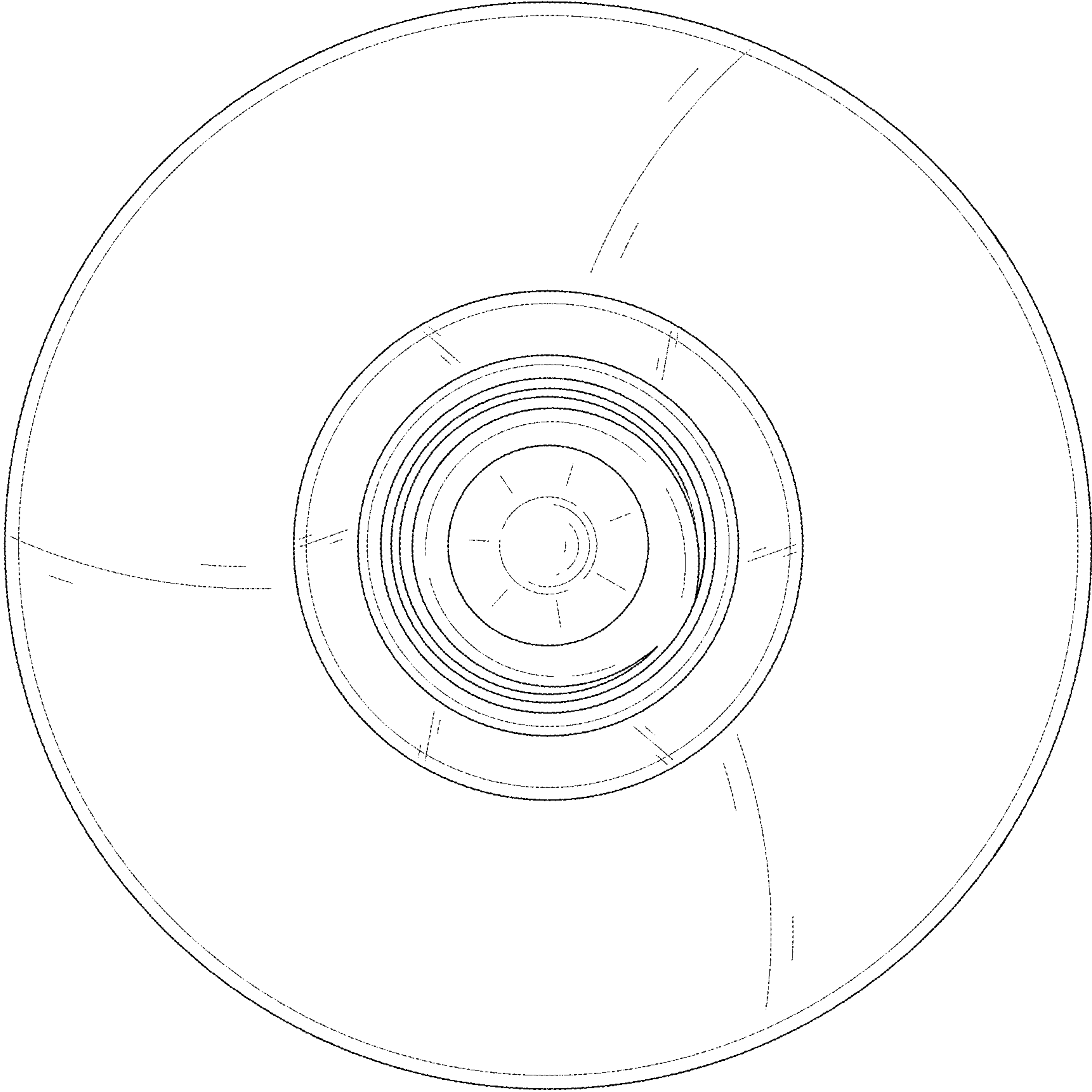


FIG. 7