



US00D982190S

(12) **United States Design Patent** (10) **Patent No.:** **US D982,190 S**  
**Svec et al.** (45) **Date of Patent:** **\*\* Mar. 28, 2023**

(54) **SHINGLE**  
(71) Applicant: **BMIC LLC**, Dallas, TX (US)  
(72) Inventors: **Jim Svec**, Kearny, NJ (US);  
**Ming-Liang Shiao**, Basking Ridge, NJ  
(US); **Dan Boss**, Morris Township, NJ  
(US)

6,471,812 B1 10/2002 Thompson et al.  
6,516,572 B1 2/2003 Nowacek et al.  
6,804,919 B2 10/2004 Railkar  
6,813,866 B2 11/2004 Naipawer, III  
6,851,240 B2 2/2005 Peng et al.  
6,936,239 B2 8/2005 Kiik et al.  
6,968,662 B2 11/2005 Rodrigues  
7,082,724 B2 8/2006 Railkar et al.

(Continued)

(73) Assignee: **BMIC LLC**, Dallas, TX (US)

**FOREIGN PATENT DOCUMENTS**

(\*\*) Term: **15 Years**

EP 3115524 A1 1/2017

(21) Appl. No.: **29/868,872**

**OTHER PUBLICATIONS**

(22) Filed: **Dec. 15, 2022**

GAF Timberline; Lifetime High Definition Shingles brochure; 2011, 13 pgs.

**Related U.S. Application Data**

(63) Continuation of application No. 29/849,521, filed on Aug. 11, 2022, which is a continuation of application No. 29/726,172, filed on Feb. 29, 2020.

*Primary Examiner* — Doris Clark

(74) *Attorney, Agent, or Firm* — Greenberg Traurig, LLP

(51) **LOC (14) Cl.** ..... **25-01**

(57) **CLAIM**

(52) **U.S. Cl.**  
USPC ..... **D25/139**

The ornamental design for a shingle, as shown and described.

(58) **Field of Classification Search**  
USPC ..... D25/139, 143  
CPC .... E04D 1/12; E04D 1/26; E04D 1/28; E04D  
2001/005

**DESCRIPTION**

See application file for complete search history.

FIG. 1 is a front perspective view of a shingle.  
FIG. 2 is a front view of the shingle shown in FIG. 1.  
FIG. 3A is a back view of the shingle shown in FIG. 1.  
FIG. 3B is a magnified view of a portion of the back view of the shingle according to FIG. 1.  
FIG. 4 is a right side view of the shingle shown in FIG. 1.  
FIG. 5 is a left side view of the shingle shown in FIG. 1.  
FIG. 6 is a top view of the shingle shown in FIG. 1.  
FIG. 7 is a bottom view of the shingle shown in FIG. 1; and, FIG. 8 is a back perspective view of the shingle shown in FIG. 1.

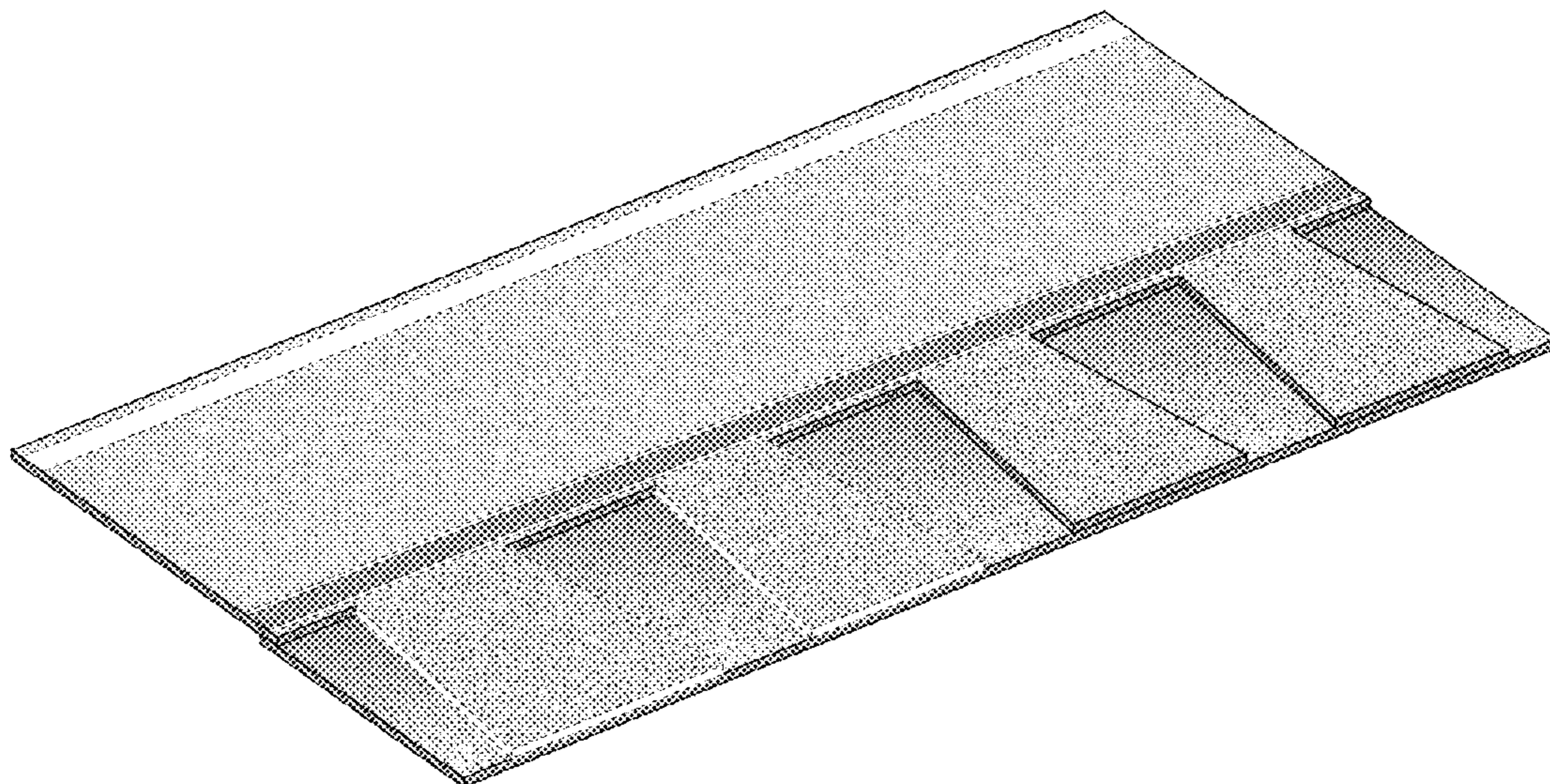
The broken lines in the drawings illustrate unclaimed features forming no part of the claimed design.

(56) **References Cited**

**U.S. PATENT DOCUMENTS**

2,161,440 A 6/1939 Venrick  
3,138,897 A 6/1964 McCorkle  
3,190,040 A 6/1965 Theobald  
3,252,257 A 5/1966 Price et al.  
4,738,884 A 4/1988 Algrim  
D320,091 S \* 9/1991 Paquette ..... D25/139  
5,394,672 A 3/1995 Seem  
5,822,943 A 10/1998 Frankoski et al.  
5,950,387 A 9/1999 Stahl et al.  
D417,513 S 12/1999 Blanpied

**1 Claim, 7 Drawing Sheets**



(56)

References Cited

U.S. PATENT DOCUMENTS

7,172,678 B2	2/2007	Canfield et al.	9,399,870 B2	7/2016	Leitch et al.
7,219,476 B2	5/2007	Akins et al.	9,399,871 B2	7/2016	Leitch et al.
7,272,915 B2	9/2007	Peng	D762,879 S	8/2016	Leitch
D554,275 S	10/2007	Sibling et al.	D762,880 S	8/2016	Leitch
7,320,767 B2	1/2008	Edge et al.	D762,881 S	8/2016	Leitch
7,442,658 B2	10/2008	Rodrigues et al.	D763,468 S	8/2016	Leitch et al.
7,448,177 B2	11/2008	McClintick	D763,470 S	8/2016	Leitch
7,454,873 B2	11/2008	McClintick	D763,471 S	8/2016	Leitch
7,582,155 B2	9/2009	Mehta et al.	D764,076 S	8/2016	Leitch
D611,620 S	3/2010	Kalkanoglu et al.	D764,687 S	8/2016	Anderson et al.
7,805,905 B2	10/2010	Rodrigues et al.	D765,271 S	8/2016	Anderson et al.
7,833,371 B2	11/2010	Binkley et al.	D765,273 S	8/2016	Leitch et al.
7,836,654 B2	11/2010	Belt et al.	D765,274 S	8/2016	Leitch et al.
7,851,051 B2	12/2010	Dejarnette et al.	9,404,260 B2	8/2016	Leitch
7,861,631 B2	1/2011	Freshwater et al.	9,410,323 B1	8/2016	Leitch
7,900,266 B1	3/2011	Longcor, IV	9,416,539 B2	8/2016	Duque et al.
7,928,023 B2	4/2011	Canfield et al.	D765,885 S	9/2016	Leitch et al.
8,006,457 B2	8/2011	Binkley et al.	D765,886 S	9/2016	Leitch et al.
8,033,072 B2	10/2011	McClintick	D765,887 S	9/2016	Leitch et al.
8,127,514 B2	3/2012	Binkley et al.	D765,888 S	9/2016	Leitch et al.
8,156,704 B2	4/2012	Belt et al.	D766,466 S	9/2016	Leitch
8,181,413 B2	5/2012	Belt et al.	D766,467 S	9/2016	Leitch
8,226,790 B2	7/2012	Rodrigues et al.	D766,468 S	9/2016	Leitch
D665,103 S	8/2012	Rodrigues et al.	D766,469 S	9/2016	Leitch et al.
D665,104 S	8/2012	Rodrigues et al.	D767,172 S	9/2016	Leitch
8,240,100 B2	8/2012	Kalkanoglu et al.	D767,272 S	9/2016	Gibson
8,240,102 B2	8/2012	Belt et al.	D769,472 S	10/2016	Leitch
D666,744 S	9/2012	Rodrigues et al.	D769,473 S	10/2016	Rodrigues et al.
D666,745 S	9/2012	Rodrigues et al.	9,458,633 B2	10/2016	McGraw et al.
D666,746 S	9/2012	Rodrigues et al.	9,464,439 B2	10/2016	Buzza
D666,747 S	9/2012	Rodrigues et al.	D774,215 S	12/2016	Duque et al.
8,297,020 B1	10/2012	Swanson	D774,664 S	12/2016	Rodrigues et al.
D670,407 S	11/2012	Leitch	9,523,202 B2	12/2016	Anderson et al.
D670,408 S	11/2012	Leitch	D776,303 S	1/2017	Duque et al.
D670,409 S	11/2012	Leitch	9,540,821 B2	1/2017	Houchin et al.
D670,825 S	11/2012	Leitch	9,605,434 B2	3/2017	Belt et al.
D670,826 S	11/2012	Leitch	9,624,670 B2	4/2017	Belt et al.
D670,827 S	11/2012	Leitch	9,657,478 B2	5/2017	Belt et al.
8,302,358 B2	11/2012	Kalkanoglu	D793,584 S	8/2017	Leitch
8,316,608 B2	11/2012	Binkley et al.	9,739,062 B2	8/2017	Leitch
8,381,489 B2	2/2013	Freshwater et al.	9,752,324 B2	9/2017	Leitch
8,389,103 B2	3/2013	Kiik et al.	9,758,970 B2	9/2017	Grubka et al.
8,397,460 B2	3/2013	Rodrigues et al.	D799,271 S	10/2017	Pogue et al.
8,535,786 B2	9/2013	Schroer	D804,687 S	12/2017	Duque et al.
8,607,521 B2	12/2013	Belt et al.	D805,221 S	12/2017	Leitch
8,623,164 B2	1/2014	Belt et al.	9,845,602 B2	12/2017	Kiik et al.
8,752,351 B2	6/2014	Belt et al.	9,856,649 B1	1/2018	Selway
8,763,339 B2	7/2014	Bryson et al.	9,890,540 B2	2/2018	Weitzer
8,813,453 B2	8/2014	Kalkanoglu et al.	10,009,929 B1	6/2018	Zhou et al.
8,863,388 B2	10/2014	Aschoff et al.	D825,081 S	8/2018	Rodrigues et al.
8,898,987 B1 *	12/2014	Amatruda ..... E04D 1/28 52/557	D827,158 S	8/2018	Duque et al.
8,978,332 B2	3/2015	Leitch	D827,159 S	8/2018	Anderson et al.
8,984,835 B2	3/2015	Kalkanoglu	10,060,132 B2	8/2018	Beerer et al.
8,991,130 B2	3/2015	Belt et al.	D827,864 S	9/2018	Rodrigues et al.
9,010,058 B2	4/2015	Dejarnette et al.	D827,865 S	9/2018	Rodrigues et al.
9,021,760 B2	5/2015	Kiik et al.	D827,866 S	9/2018	Rodrigues et al.
9,057,194 B2	6/2015	Jenkins et al.	D827,867 S	9/2018	Rodrigues et al.
9,121,178 B2	9/2015	Belt et al.	D827,868 S	9/2018	Rodrigues et al.
9,140,012 B1	9/2015	Leitch et al.	D829,935 S	10/2018	Duque et al.
9,157,236 B2	10/2015	Jenkins	D831,233 S	10/2018	Anderson et al.
9,187,903 B1	11/2015	Buzza	D834,220 S	11/2018	Duque et al.
9,212,487 B2	12/2015	Kiik et al.	10,180,001 B2	1/2019	Leitch
D747,007 S	1/2016	Leitch	10,189,656 B2	1/2019	Belt et al.
D747,501 S	1/2016	Leitch	10,195,640 B2	2/2019	Svec
D749,240 S	2/2016	Rodrigues et al.	10,196,821 B2	2/2019	Anderson et al.
D750,810 S	3/2016	Buzza	10,308,448 B2	6/2019	Belt et al.
9,279,255 B2	3/2016	Bryson et al.	10,315,863 B2	6/2019	Belt et al.
9,290,945 B2	3/2016	Beerer et al.	10,322,889 B2	6/2019	Belt et al.
9,340,371 B2	5/2016	Mishler	D856,538 S	8/2019	Duque et al.
D760,924 S	7/2016	Rodrigues et al.	D856,539 S	8/2019	Duque et al.
D760,925 S	7/2016	Rodrigues et al.	D857,931 S	8/2019	Leitch
D761,445 S	7/2016	Rodrigues et al.	D857,932 S	8/2019	Leitch
D761,446 S	7/2016	Rodrigues et al.	10,415,247 B2	9/2019	Kilk et al.
D761,447 S	7/2016	Anderson et al.	10,428,525 B2	10/2019	Belt et al.
			10,995,495 B2	5/2021	Kiik et al.
			11,002,015 B2	5/2021	Kiik et al.
			D943,642 S	2/2022	Svec et al.
			11,352,792 B2	6/2022	Boss et al.
			11,377,731 B2	7/2022	Chikaishi et al.

(56)

**References Cited**

U.S. PATENT DOCUMENTS

D973,583	S	12/2022	Horikoshi
2001/0055680	A1	12/2001	Kiik et al.
2003/0124292	A1	7/2003	Unterreiter
2004/0083674	A1	5/2004	Kalkanoglu et al.
2004/0258883	A1	12/2004	Weaver
2005/0178428	A1	8/2005	Laaly et al.
2006/0269713	A1	11/2006	Zuege et al.
2008/0134612	A1	6/2008	Koschitzky
2009/0139175	A1	6/2009	Todd et al.
2009/0220720	A1	9/2009	Mohseen et al.
2010/0170169	A1	7/2010	Railkar et al.
2010/0173110	A1	7/2010	Wiercinski et al.
2011/0041446	A1	2/2011	Stephens et al.
2011/0086214	A1	4/2011	Rockwell
2012/0047838	A1	3/2012	Kalkanoglu et al.
2013/0025225	A1	1/2013	Vermilion et al.
2013/0068279	A1	3/2013	Buller et al.
2014/0147611	A1	5/2014	Ackerman, Jr.
2014/0283468	A1	9/2014	Weitzer
2015/0089895	A1	4/2015	Leitch
2015/0176282	A1	6/2015	Baker
2016/0369509	A1	12/2016	Leitch et al.
2017/0314271	A1	11/2017	Sutton et al.
2018/0038108	A1	2/2018	Aschenbeck et al.
2018/0363302	A1	12/2018	Beerer et al.
2019/0256304	A1	8/2019	Belt et al.
2020/0040582	A1	2/2020	Boss et al.
2021/0108416	A1	4/2021	Aschenbeck et al.

\* cited by examiner

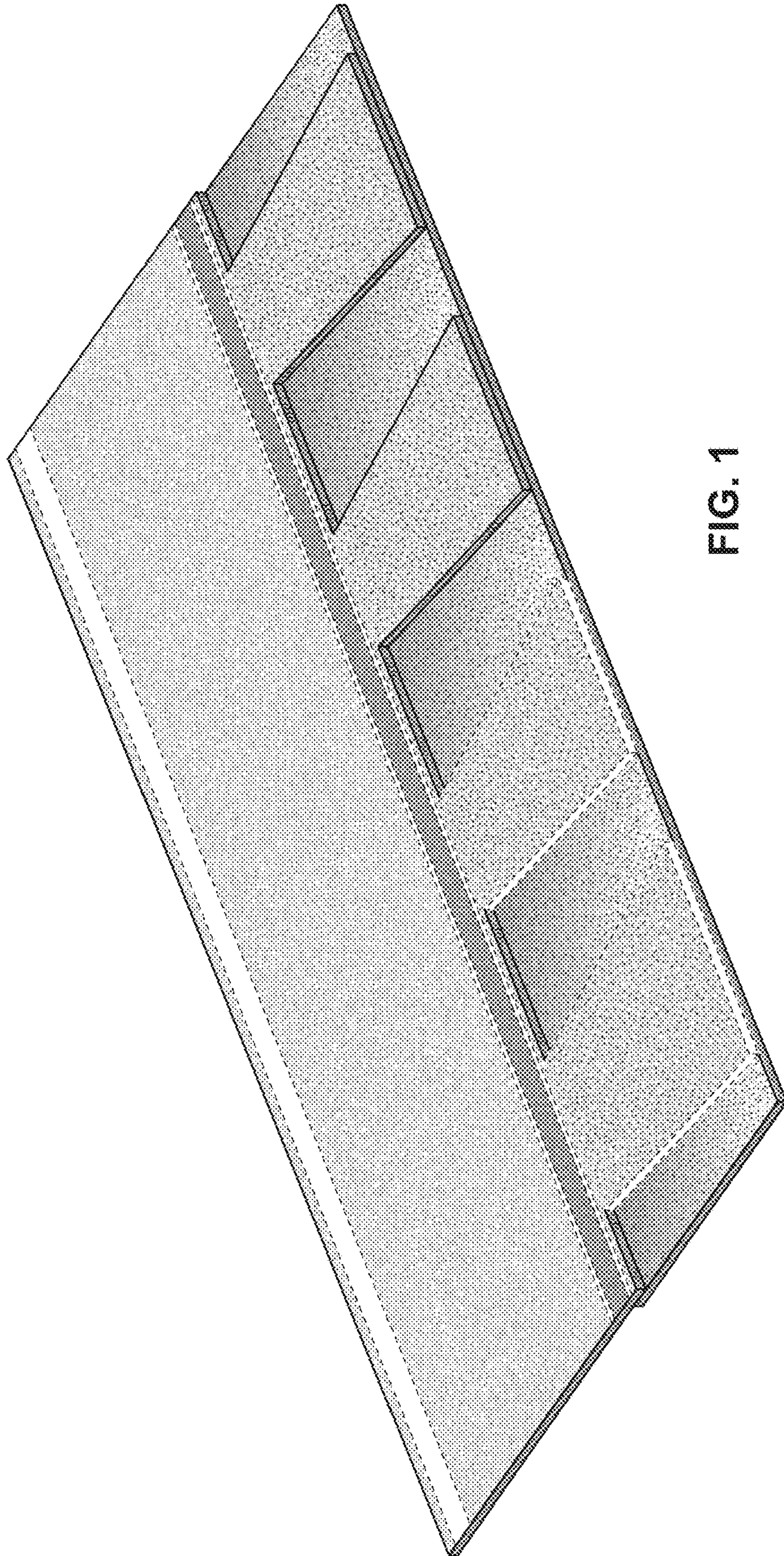


FIG. 1

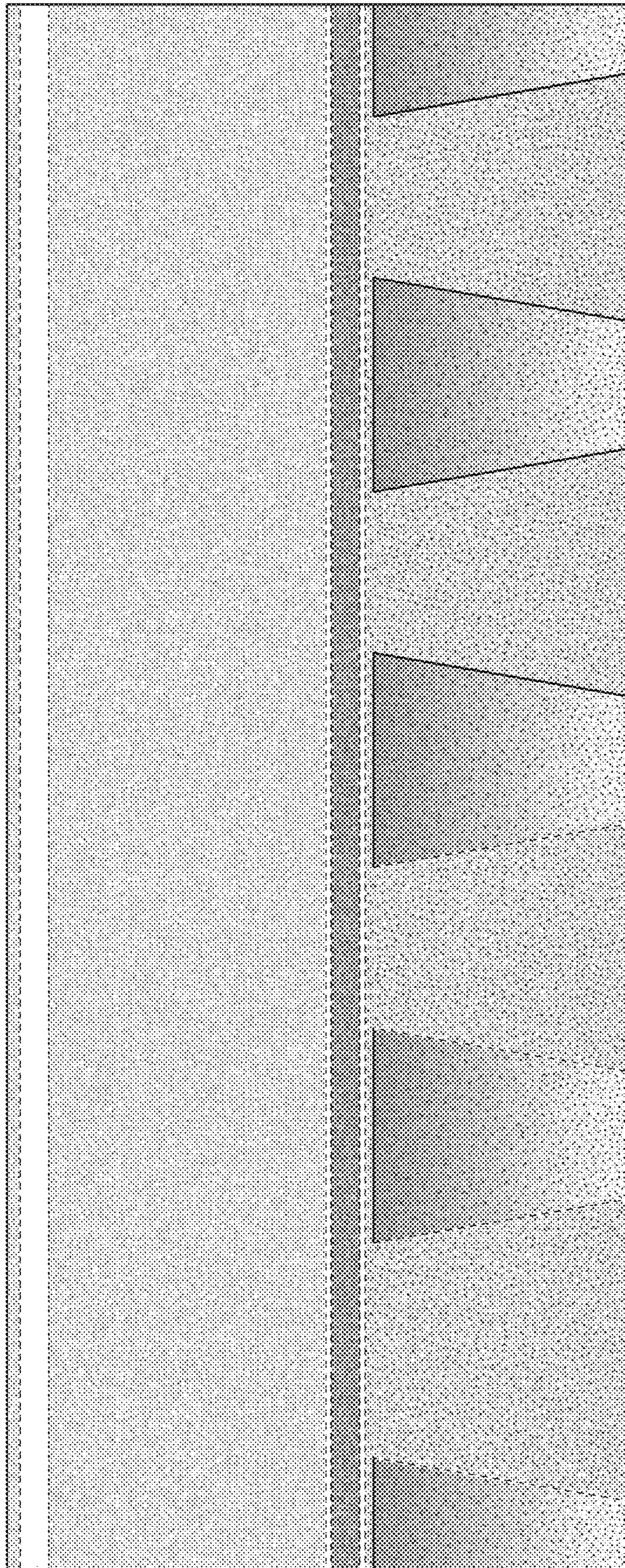


FIG. 2

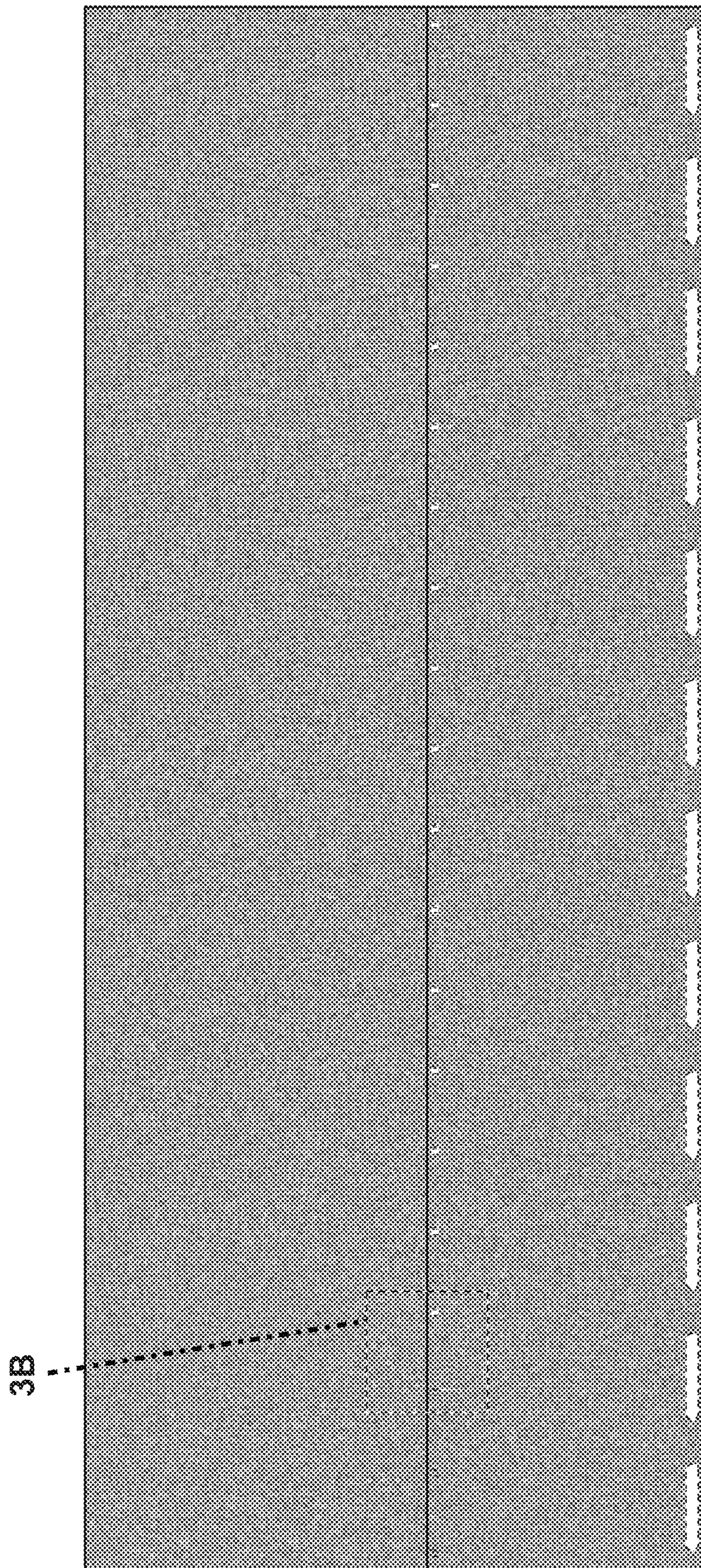


FIG. 3A

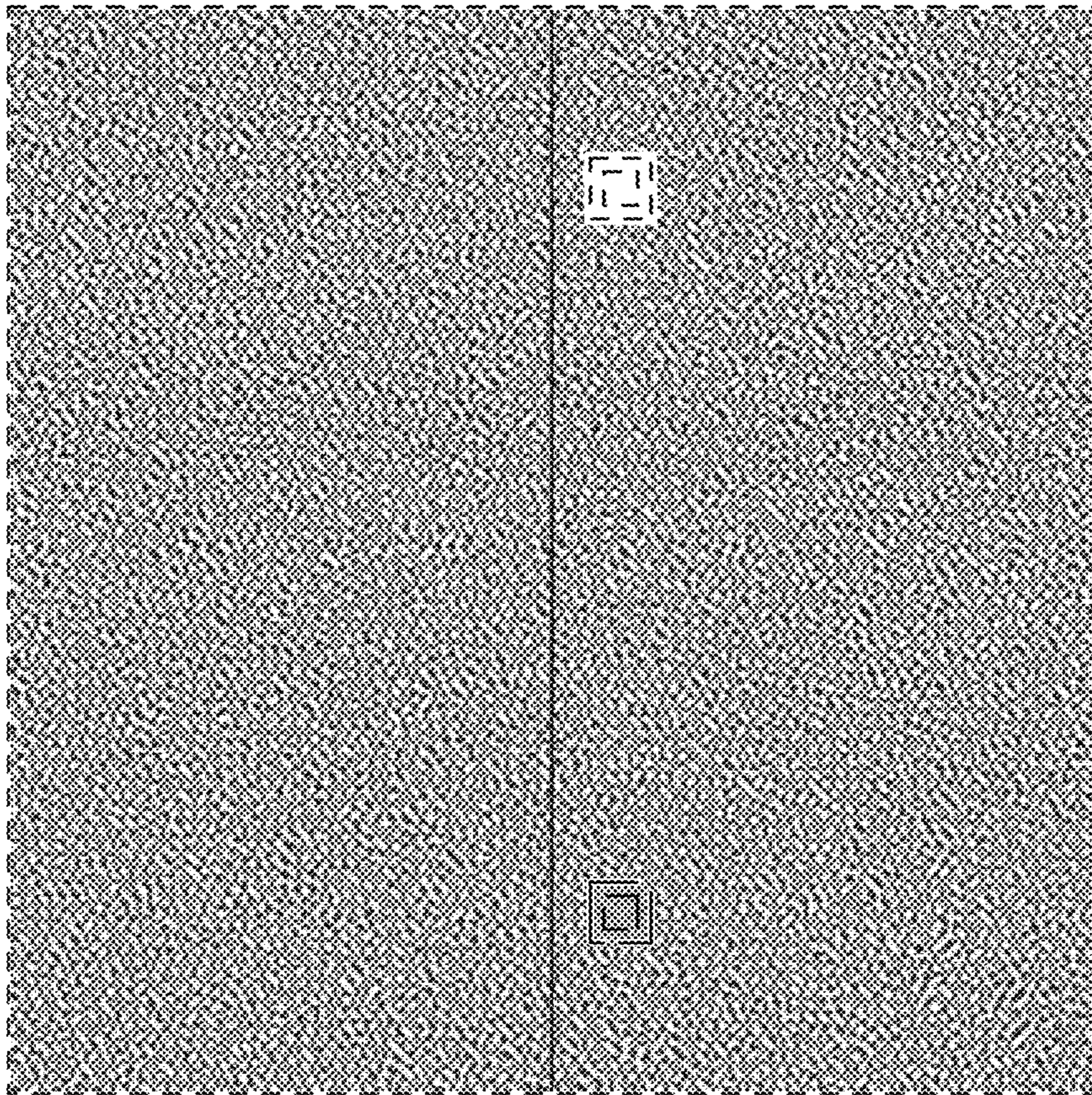


FIG. 3B



FIG. 5



FIG. 4





FIG. 6



FIG. 7

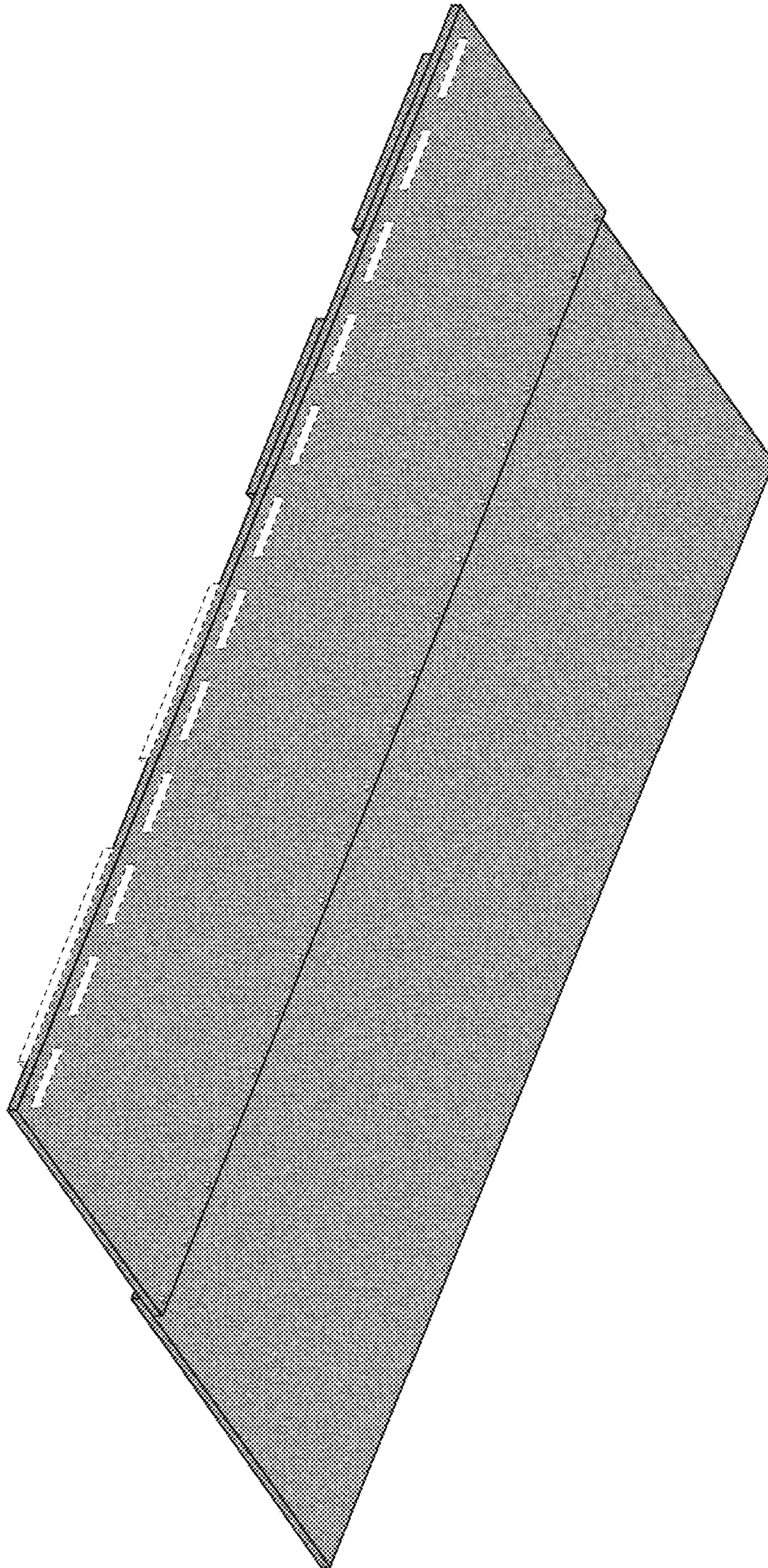


FIG. 8