



US00D982189S

(12) **United States Design Patent**  
**Svec et al.**

(10) **Patent No.:** **US D982,189 S**  
(45) **Date of Patent:** **\*\* Mar. 28, 2023**

(54) **SHINGLE**

(71) Applicant: **BMIC LLC**, Dallas, TX (US)

(72) Inventors: **Jim Svec**, Kearny, NJ (US);  
**Ming-Liang Shiao**, Basking Ridge, NJ  
(US); **Dan Boss**, Morris Township, NJ  
(US)

(73) Assignee: **BMIC LLC**, Dallas, TX (US)

(\*\*) Term: **15 Years**

(21) Appl. No.: **29/868,871**

(22) Filed: **Dec. 15, 2022**

**Related U.S. Application Data**

(63) Continuation of application No. 29/849,521, filed on  
Aug. 11, 2022, which is a continuation of application  
No. 29/726,172, filed on Feb. 29, 2020.

(51) **LOC (14) Cl.** ..... **25-01**

(52) **U.S. Cl.**  
USPC ..... **D25/139**

(58) **Field of Classification Search**  
USPC ..... D25/139, 143  
CPC .... E04D 1/12; E04D 1/26; E04D 1/28; E04D  
2001/005  
See application file for complete search history.

(56) **References Cited**

**U.S. PATENT DOCUMENTS**

2,161,440	A	6/1939	Venrick	
3,138,897	A	6/1964	McCorkle	
3,190,040	A	6/1965	Theobald	
3,252,257	A	5/1966	Price et al.	
4,738,884	A	4/1988	Algrim	
D320,091	S *	9/1991	Paquette	..... D25/139
5,394,672	A	3/1995	Seem	
5,822,943	A	10/1998	Frankoski et al.	
5,950,387	A	9/1999	Stahl et al.	

D417,513	S	12/1999	Blanpied
6,471,812	B1	10/2002	Thompson et al.
6,516,572	B1	2/2003	Nowacek et al.
6,804,919	B2	10/2004	Railkar
6,813,866	B2	11/2004	Naipawer, III

(Continued)

**FOREIGN PATENT DOCUMENTS**

EP 3115524 A1 1/2017

**OTHER PUBLICATIONS**

Landmark™ Series and Landmark™ TL; CertainTeed Website;  
<https://www.certainteed.com/residential-roofing/products/landmark-tl>,  
downloaded Mar. 19, 2020.

(Continued)

*Primary Examiner* — Doris Clark

(74) *Attorney, Agent, or Firm* — Greenberg Traurig, LLP

(57) **CLAIM**

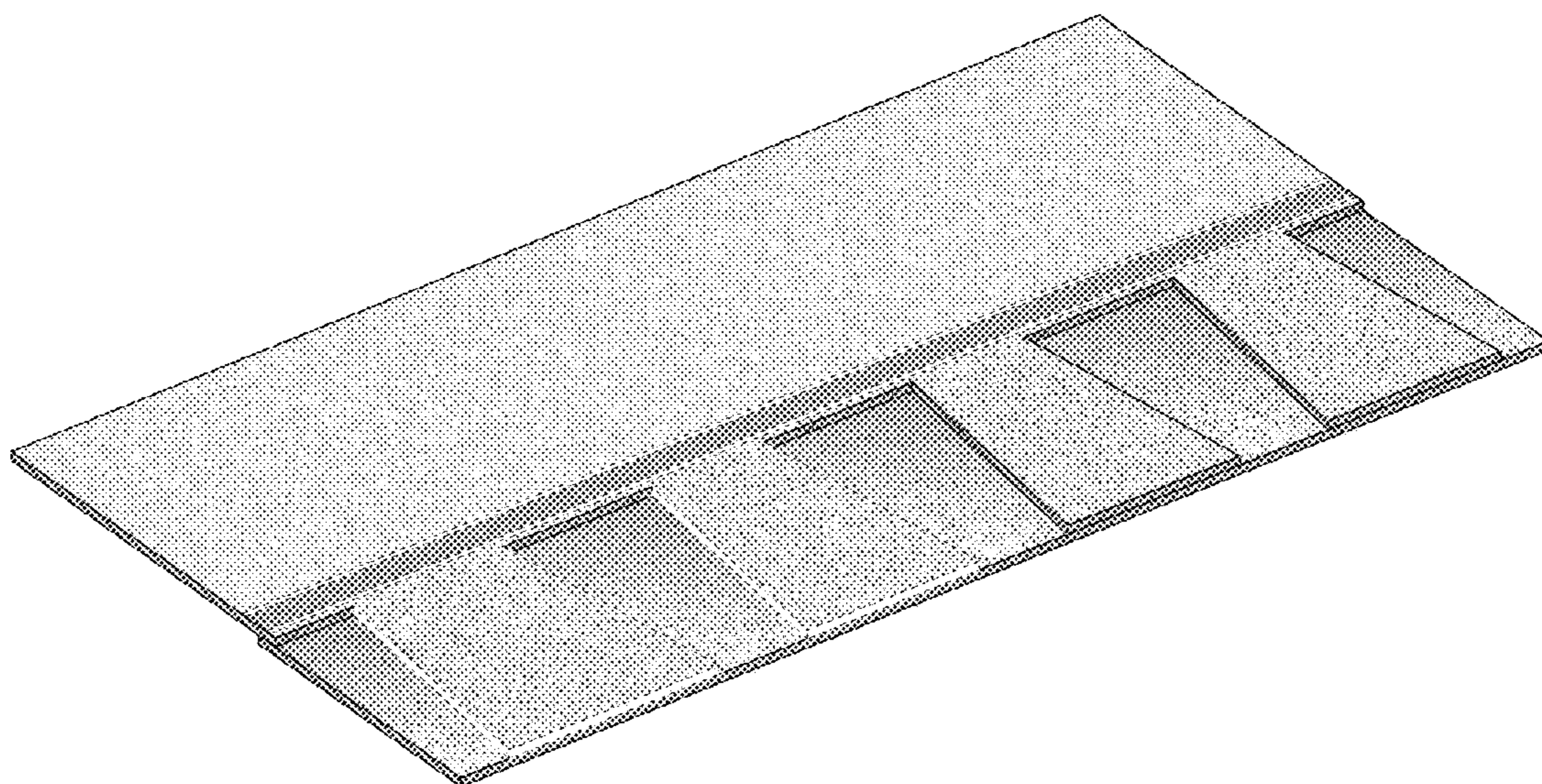
The ornamental design for a shingle, as shown and  
described.

**DESCRIPTION**

FIG. 1 is a front perspective view of a shingle.  
FIG. 2 is a front view of the shingle shown in FIG. 1.  
FIG. 3A is a back view of the shingle shown in FIG. 1.  
FIG. 3B is a magnified view of a portion of the back view  
of the shingle according to the first embodiment shown in  
FIG. 1.  
FIG. 4 is a right side view of the shingle shown in FIG. 1.  
FIG. 5 is a left side view of the shingle shown in FIG. 1.  
FIG. 6 is a top view of the shingle shown in FIG. 1.  
FIG. 7 is a bottom view of the shingle shown in FIG. 1; and,  
FIG. 8 is a back perspective view of the shingle shown in  
FIG. 1.

The broken lines in the drawings illustrate unclaimed fea-  
tures forming no part of the claimed design.

**1 Claim, 7 Drawing Sheets**





(56)

References Cited

U.S. PATENT DOCUMENTS

6,851,240 B2 2/2005 Peng et al.  
 6,936,239 B2 8/2005 Kiik et al.  
 6,968,662 B2 11/2005 Rodrigues  
 7,082,724 B2 8/2006 Railkar et al.  
 7,172,678 B2 2/2007 Canfield et al.  
 7,219,476 B2 5/2007 Akins et al.  
 7,272,915 B2 9/2007 Peng  
 D554,275 S 10/2007 Sieling et al.  
 7,320,767 B2 1/2008 Edge et al.  
 7,442,658 B2 10/2008 Rodrigues et al.  
 7,448,177 B2 11/2008 McClintick  
 7,454,873 B2 11/2008 McClintick  
 7,582,155 B2 9/2009 Mehta et al.  
 D611,620 S 3/2010 Kalkanoglu et al.  
 7,805,905 B2 10/2010 Rodrigues et al.  
 7,833,371 B2 11/2010 Binkley et al.  
 7,836,654 B2 11/2010 Belt et al.  
 7,851,051 B2 12/2010 Dejarnette et al.  
 7,861,631 B2 1/2011 Freshwater et al.  
 7,900,266 B1 3/2011 Longcor, IV  
 7,928,023 B2 4/2011 Canfield et al.  
 8,006,457 B2 8/2011 Binkley et al.  
 8,033,072 B2 10/2011 McClintick  
 8,127,514 B2 3/2012 Binkley et al.  
 8,156,704 B2 4/2012 Belt et al.  
 8,181,413 B2 5/2012 Belt et al.  
 8,226,790 B2 7/2012 Rodrigues et al.  
 D665,103 S 8/2012 Rodrigues et al.  
 D665,104 S 8/2012 Rodrigues et al.  
 8,240,100 B2 8/2012 Kalkanoglu et al.  
 8,240,102 B2 8/2012 Belt et al.  
 D666,744 S 9/2012 Rodrigues et al.  
 D666,745 S 9/2012 Rodrigues et al.  
 D666,746 S 9/2012 Rodrigues et al.  
 D666,747 S 9/2012 Rodrigues et al.  
 8,297,020 B1 10/2012 Swanson  
 D670,407 S 11/2012 Leitch  
 D670,408 S 11/2012 Leitch  
 D670,409 S 11/2012 Leitch  
 D670,825 S 11/2012 Leitch  
 D670,826 S 11/2012 Leitch  
 D670,827 S 11/2012 Leitch  
 8,302,358 B2 11/2012 Kalkanoglu  
 8,316,608 B2 11/2012 Binkley et al.  
 8,381,489 B2 2/2013 Freshwater et al.  
 8,389,103 B2 3/2013 Kiik et al.  
 8,397,460 B2 3/2013 Rodrigues et al.  
 8,535,786 B2 9/2013 Schroer  
 8,607,521 B2 12/2013 Belt et al.  
 8,623,164 B2 1/2014 Belt et al.  
 8,752,351 B2 6/2014 Belt et al.  
 8,763,339 B2 7/2014 Bryson et al.  
 8,813,453 B2 8/2014 Kalkanoglu et al.  
 8,863,388 B2 10/2014 Aschoff et al.  
 8,898,987 B1\* 12/2014 Amatruda ..... E04D 1/28  
 52/557  
 8,978,332 B2 3/2015 Leitch  
 8,984,835 B2 3/2015 Kalkanoglu  
 8,991,130 B2 3/2015 Belt et al.  
 9,010,058 B2 4/2015 Dejarnette et al.  
 9,021,760 B2 5/2015 Kiik et al.  
 9,057,194 B2 6/2015 Jenkins et al.  
 9,121,178 B2 9/2015 Belt et al.  
 9,140,012 B1 9/2015 Leitch et al.  
 9,157,236 B2 10/2015 Jenkins  
 9,187,903 B1 11/2015 Buzza  
 9,212,487 B2 12/2015 Kiik et al.  
 D747,007 S 1/2016 Leitch  
 D747,501 S 1/2016 Leitch  
 D749,240 S 2/2016 Rodrigues et al.  
 D750,810 S 3/2016 Buzza  
 9,279,255 B2 3/2016 Bryson et al.  
 9,290,945 B2 3/2016 Beerer et al.  
 9,340,371 B2 5/2016 Mishler  
 D760,924 S 7/2016 Rodrigues et al.

D760,925 S 7/2016 Rodrigues et al.  
 D761,445 S 7/2016 Rodrigues et al.  
 D761,446 S 7/2016 Rodrigues et al.  
 D761,447 S 7/2016 Anderson et al.  
 9,399,870 B2 7/2016 Leitch et al.  
 9,399,871 B2 7/2016 Leitch et al.  
 D762,879 S 8/2016 Leitch  
 D762,880 S 8/2016 Leitch  
 D762,881 S 8/2016 Leitch  
 D763,468 S 8/2016 Leitch et al.  
 D763,470 S 8/2016 Leitch  
 D763,471 S 8/2016 Leitch  
 D764,076 S 8/2016 Leitch  
 D764,687 S 8/2016 Anderson et al.  
 D765,271 S 8/2016 Anderson et al.  
 D765,273 S 8/2016 Leitch et al.  
 D765,274 S 8/2016 Leitch et al.  
 9,404,260 B2 8/2016 Leitch  
 9,410,323 B1 8/2016 Leitch  
 9,416,539 B2 8/2016 Duque et al.  
 D765,885 S 9/2016 Leitch et al.  
 D765,886 S 9/2016 Leitch et al.  
 D765,887 S 9/2016 Leitch et al.  
 D765,888 S 9/2016 Leitch et al.  
 D766,466 S 9/2016 Leitch  
 D766,467 S 9/2016 Leitch  
 D766,468 S 9/2016 Leitch  
 D766,469 S 9/2016 Leitch et al.  
 D767,172 S 9/2016 Leitch  
 D767,272 S 9/2016 Gibson  
 D769,472 S 10/2016 Leitch  
 D769,473 S 10/2016 Rodrigues et al.  
 9,458,633 B2 10/2016 McGraw et al.  
 9,464,439 B2 10/2016 Buzza  
 D774,215 S 12/2016 Duque et al.  
 D774,664 S 12/2016 Rodrigues et al.  
 9,523,202 B2 12/2016 Anderson et al.  
 D776,303 S 1/2017 Duque et al.  
 9,540,821 B2 1/2017 Houchin et al.  
 9,605,434 B2 3/2017 Belt et al.  
 9,624,670 B2 4/2017 Belt et al.  
 9,657,478 B2 5/2017 Belt et al.  
 D793,584 S 8/2017 Leitch  
 9,739,062 B2 8/2017 Leitch  
 9,752,324 B2 9/2017 Leitch  
 9,758,970 B2 9/2017 Grubka et al.  
 D799,271 S 10/2017 Pogue et al.  
 D804,687 S 12/2017 Duque et al.  
 D805,221 S 12/2017 Leitch  
 9,845,602 B2 12/2017 Kiik et al.  
 9,856,649 B1 1/2018 Selway  
 9,890,540 B2 2/2018 Weitzer  
 10,009,929 B1 6/2018 Zhou et al.  
 D825,081 S 8/2018 Rodrigues et al.  
 D827,158 S 8/2018 Duque et al.  
 D827,159 S 8/2018 Anderson et al.  
 10,060,132 B2 8/2018 Beerer et al.  
 D827,864 S 9/2018 Rodrigues et al.  
 D827,865 S 9/2018 Rodrigues et al.  
 D827,866 S 9/2018 Rodrigues et al.  
 D827,867 S 9/2018 Rodrigues et al.  
 D827,868 S 9/2018 Rodrigues et al.  
 D829,935 S 10/2018 Duque et al.  
 D831,233 S 10/2018 Anderson et al.  
 D834,220 S 11/2018 Duque et al.  
 10,180,001 B2 1/2019 Leitch  
 10,189,656 B2 1/2019 Belt et al.  
 10,195,640 B2 2/2019 Svec  
 10,196,821 B2 2/2019 Anderson et al.  
 10,308,448 B2 6/2019 Belt et al.  
 10,315,863 B2 6/2019 Belt et al.  
 10,322,889 B2 6/2019 Belt et al.  
 D856,538 S 8/2019 Duque et al.  
 D856,539 S 8/2019 Duque et al.  
 D857,931 S 8/2019 Leitch  
 D857,932 S 8/2019 Leitch  
 10,415,247 B2 9/2019 Kilk et al.  
 10,428,525 B2 10/2019 Belt et al.  
 10,995,495 B2 5/2021 Kiik et al.

(56)

**References Cited**

U.S. PATENT DOCUMENTS

11,002,015 B2 5/2021 Kiik et al.  
D943,642 S 2/2022 Svec et al.  
11,352,792 B2 6/2022 Boss et al.  
11,377,731 B2 7/2022 Chikaishi et al.  
D973,583 S 12/2022 Horikoshi et al.  
2001/0055680 A1 12/2001 Kiik et al.  
2003/0124292 A1 7/2003 Unterreiter  
2004/0083674 A1 5/2004 Kalkanoglu et al.  
2004/0258883 A1 12/2004 Weaver  
2005/0178428 A1 8/2005 Laaly et al.  
2006/0269713 A1 11/2006 Zuege et al.  
2008/0134612 A1 6/2008 Koschitzky  
2009/0139175 A1 6/2009 Todd et al.  
2009/0220720 A1 9/2009 Mohseen et al.  
2010/0170169 A1 7/2010 Railkar et al.  
2010/0173110 A1 7/2010 Wiercinski et al.  
2011/0041446 A1 2/2011 Stephens et al.  
2011/0086214 A1 4/2011 Rockwell

2012/0047838 A1 3/2012 Kalkanoglu et al.  
2013/0025225 A1 1/2013 Vermilion et al.  
2013/0068279 A1 3/2013 Buller et al.  
2014/0147611 A1 5/2014 Ackerman, Jr.  
2014/0283468 A1 9/2014 Weitzer  
2015/0089895 A1 4/2015 Leitch  
2015/0176282 A1 6/2015 Baker  
2016/0369509 A1 12/2016 Leitch et al.  
2017/0314271 A1 11/2017 Sutton et al.  
2018/0038108 A1 2/2018 Aschenbeck et al.  
2018/0363302 A1 12/2018 Beerer et al.  
2019/0256304 A1 8/2019 Belt et al.  
2020/0040582 A1 2/2020 Boss et al.  
2021/0108416 A1 4/2021 Aschenbeck et al.

OTHER PUBLICATIONS

GAF Timberline; Lifetime High Definition Shingles brochure;  
2011, 13 pgs.

\* cited by examiner



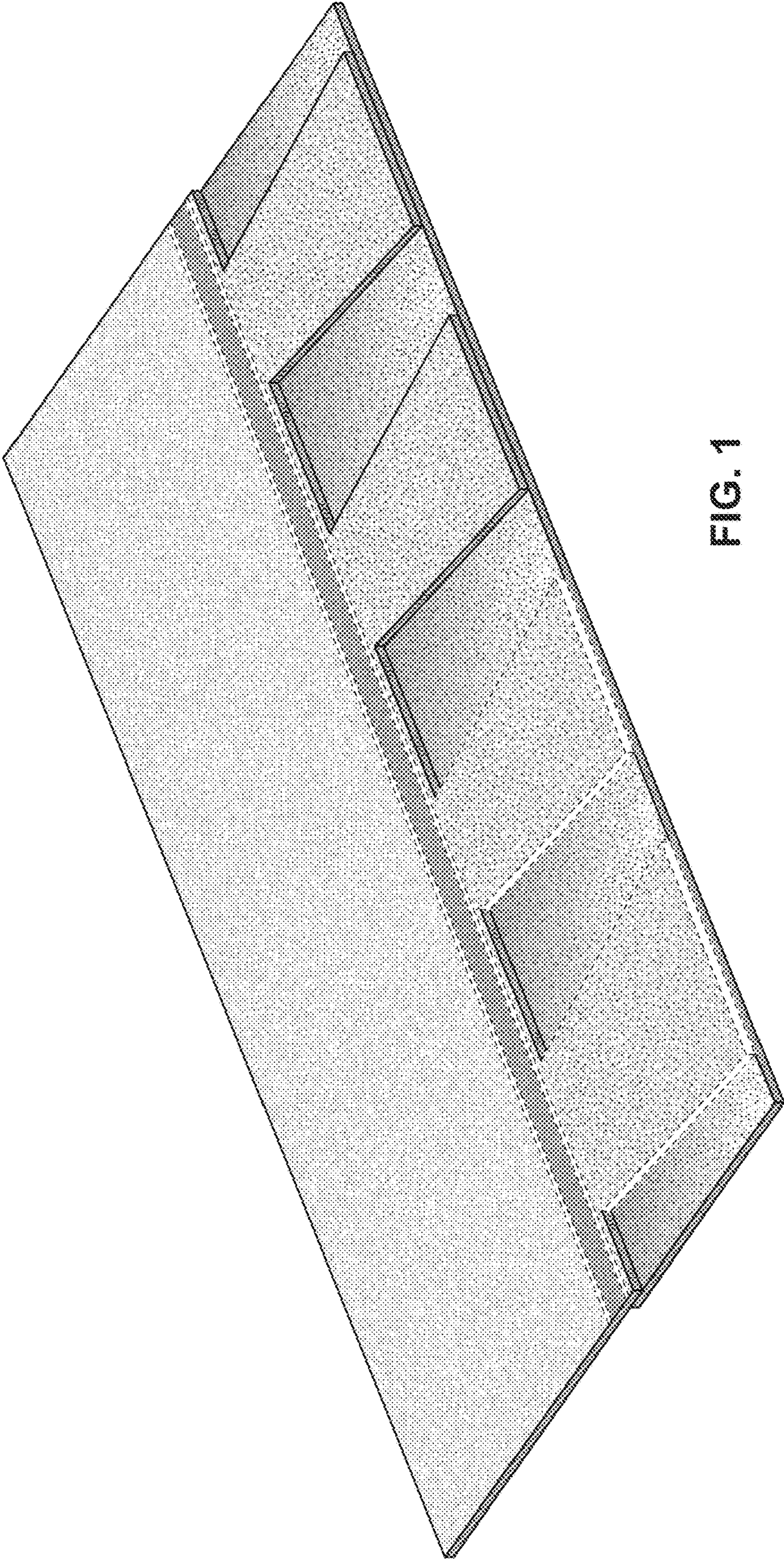


FIG. 1



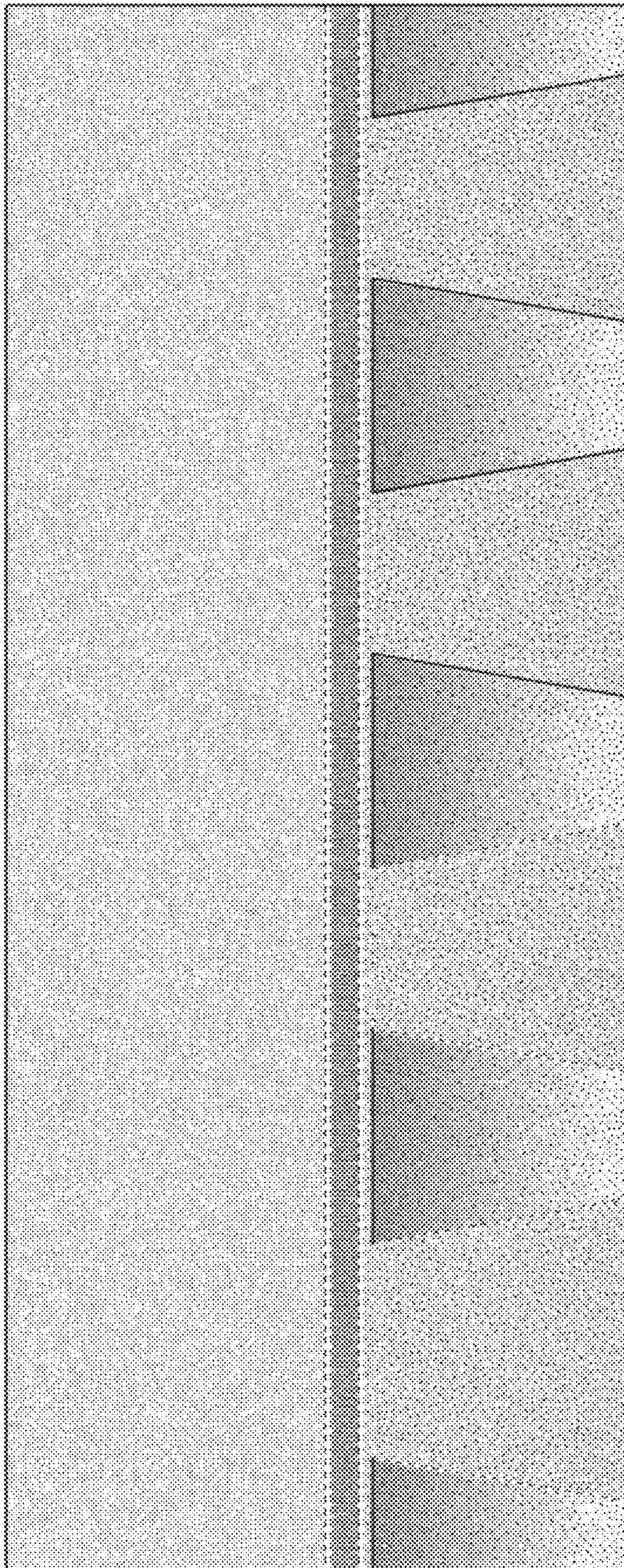


FIG. 2



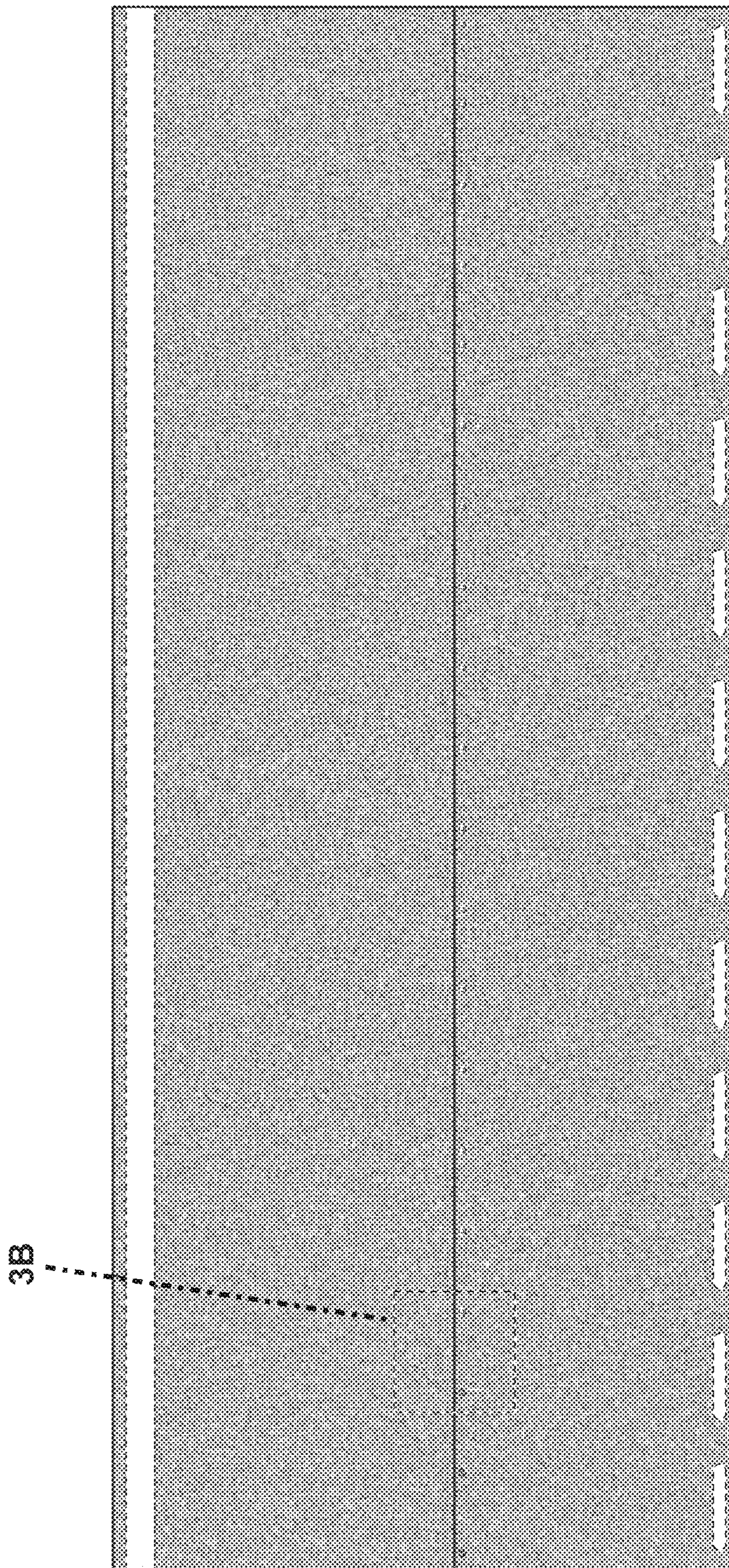


FIG. 3A



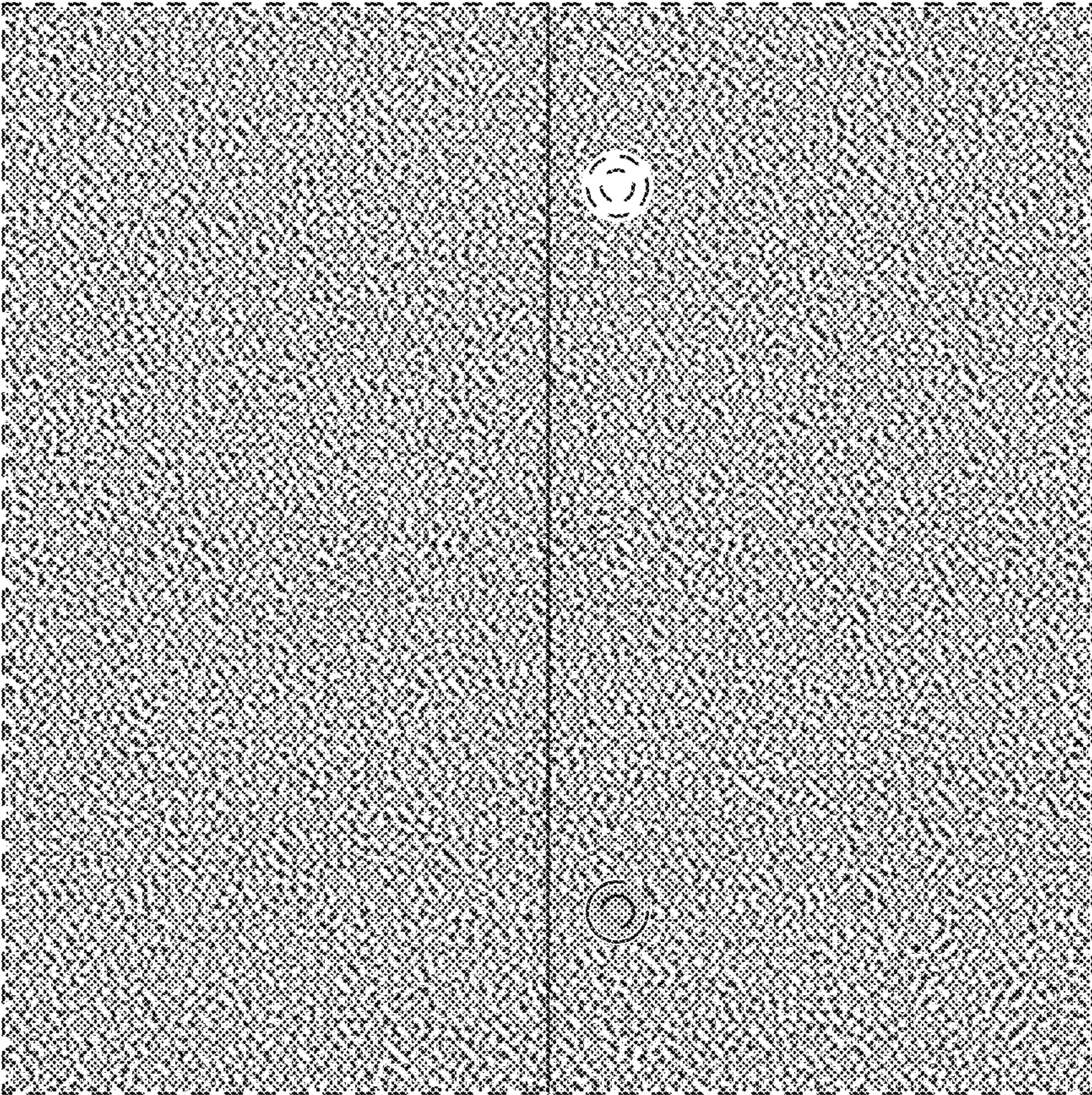


FIG. 3B





FIG. 5



FIG. 4





FIG. 6



FIG. 7



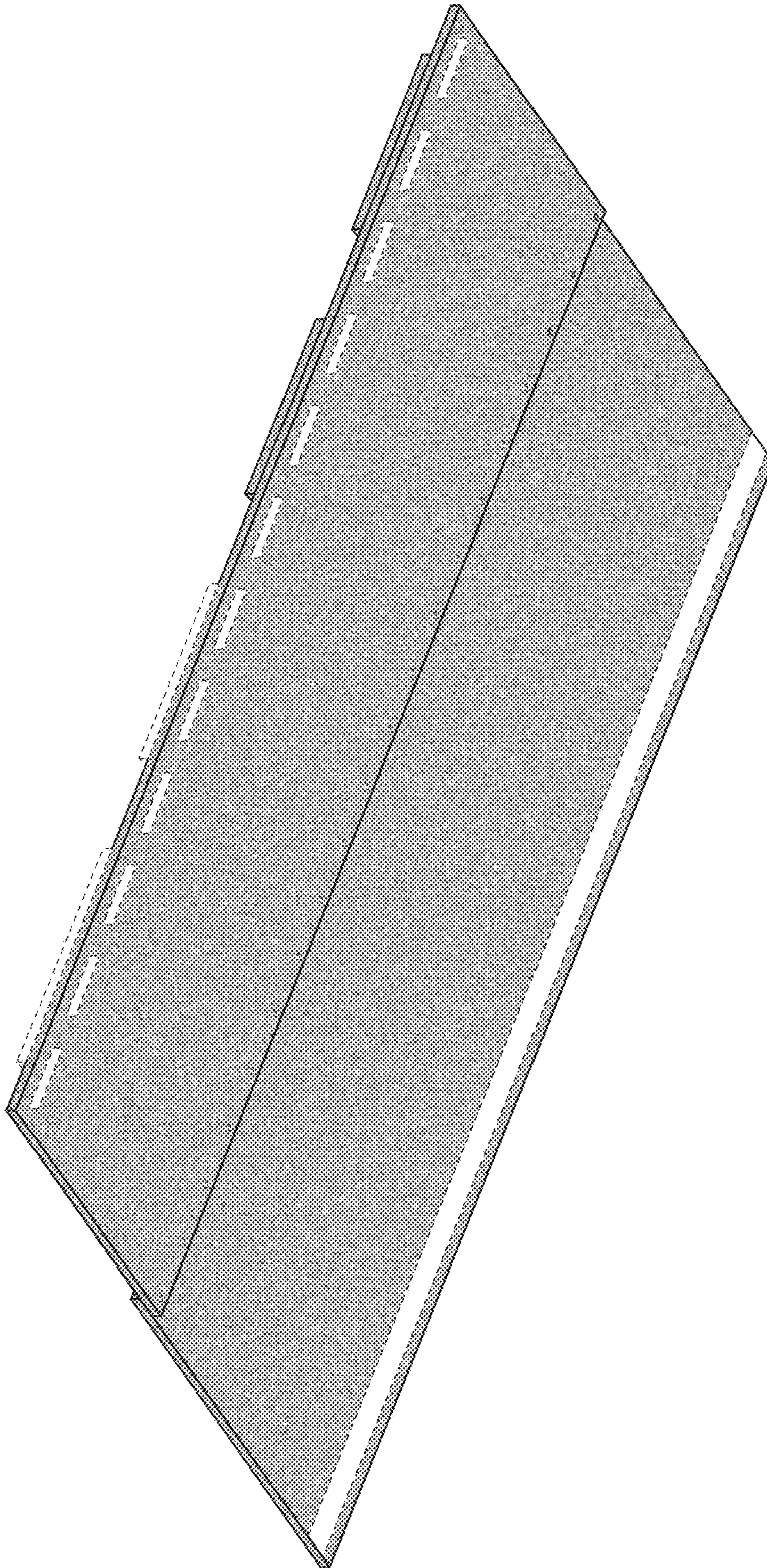


FIG. 8