



US00D982186S

(12) **United States Design Patent**  
**Zeng**

(10) **Patent No.:** **US D982,186 S**  
(45) **Date of Patent:** **\*\* Mar. 28, 2023**

(54) **SEALING STRIP**  
(71) Applicant: **ZENGSHI SECURITY TECHNOLOGY CO., LTD.**, Shenzhen (CN)  
(72) Inventor: **Jielong Zeng**, Shenzhen (CN)  
(\*\*) Term: **15 Years**  
(21) Appl. No.: **29/813,126**  
(22) Filed: **Oct. 27, 2021**  
(51) **LOC (14) Cl.** ..... **25-01**  
(52) **U.S. Cl.**  
USPC ..... **D25/125**  
(58) **Field of Classification Search**  
USPC ..... D25/48.2, 119-123, 125, 136, 164, 199  
CPC .. E06B 3/663; E06B 3/66342; E06B 3/66352;  
E06B 3/9632; E06B 1/70; E06B 2001/707; E06B 7/14; E06B 7/18; E06B 7/205; E06B 7/22; E06B 7/231; E06B 7/2312; E06B 7/2314; E06B 7/2316; E06B 7/26  
See application file for complete search history.

D240,725 S \* 7/1976 Dillon ..... D25/122  
4,520,605 A \* 6/1985 Budd ..... A47K 3/008  
D25/119  
D294,866 S \* 3/1988 Meshulam ..... D25/122  
D343,312 S \* 1/1994 Burdick ..... D6/709  
D349,738 S \* 8/1994 Naegele, III ..... D21/706  
D587,421 S \* 2/2009 Liao ..... D34/27  
D625,436 S 10/2010 Corey et al.  
D669,601 S 10/2012 Schoonover et al.  
10,486,723 B2 \* 11/2019 Liao ..... B62B 3/02  
D968,657 S \* 11/2022 Johnson ..... D25/136

\* cited by examiner

*Primary Examiner* — Llorelys Martinez  
(74) *Attorney, Agent, or Firm* — Daniel M. Cohn;  
Howard M. Cohn

(57) **CLAIM**

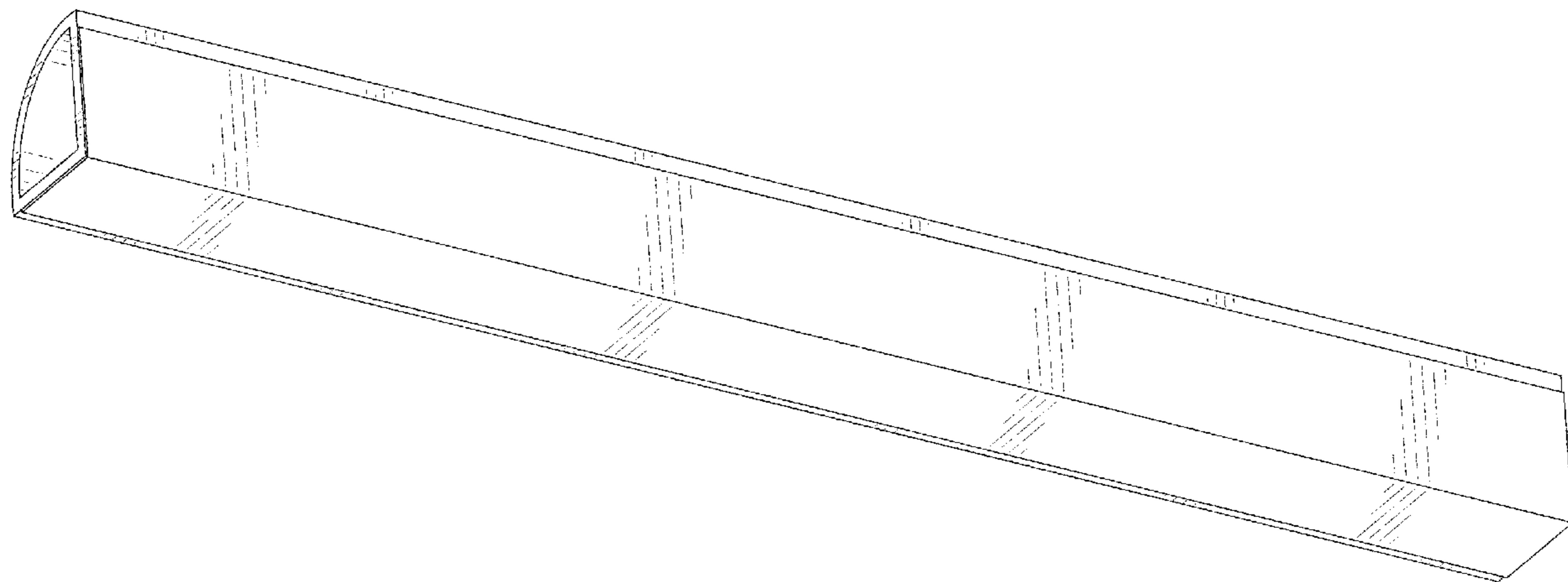
The ornamental design for a sealing strip, as shown and described.

**DESCRIPTION**

FIG. 1 is a perspective view of a sealing strip showing my new design;  
FIG. 2 is another perspective view thereof;  
FIG. 3 is a front elevational view thereof;  
FIG. 4 is a rear elevational view thereof;  
FIG. 5 is a left side elevational view thereof;  
FIG. 6 is a right side elevational view thereof;  
FIG. 7 is a top plan view thereof; and,  
FIG. 8 is a bottom plan view thereof.

**1 Claim, 8 Drawing Sheets**

(56) **References Cited**  
U.S. PATENT DOCUMENTS  
D155,369 S \* 9/1949 Wallance ..... D6/709.21  
3,166,100 A \* 1/1965 Tiola ..... F16B 12/40  
D25/122  
3,605,137 A \* 9/1971 Stollenwerk ..... A61G 1/052  
D25/120



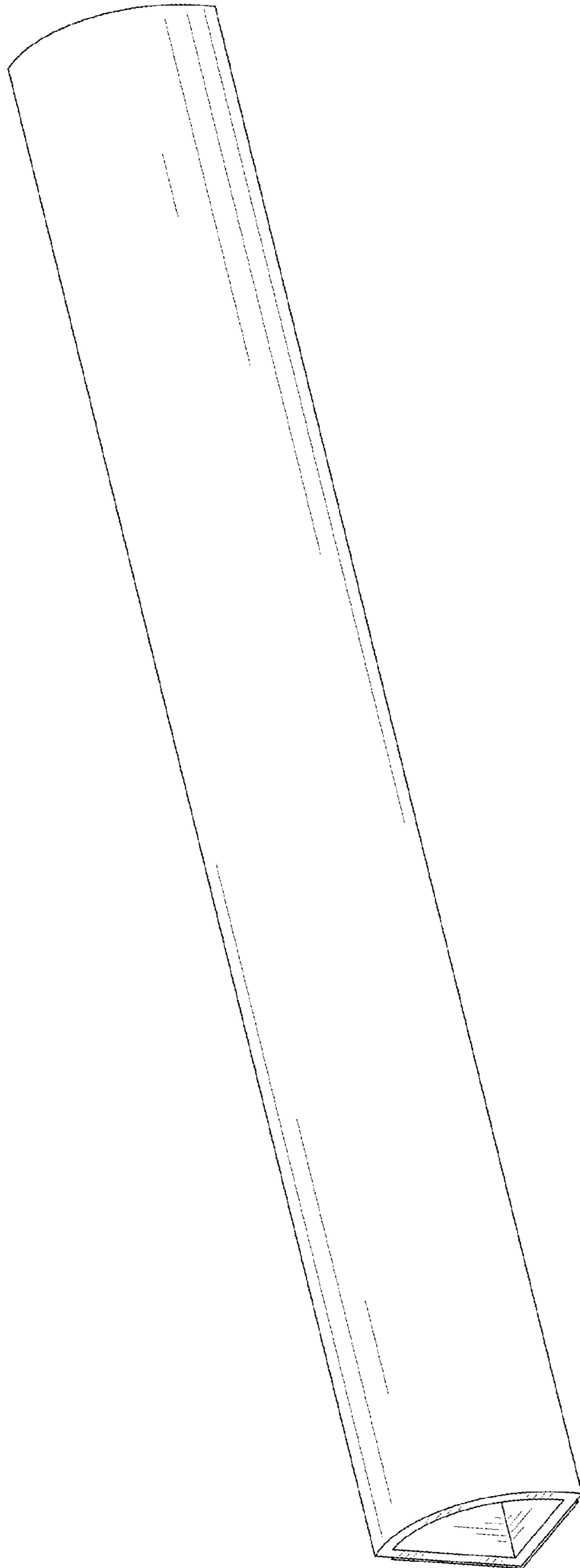


FIG. 1

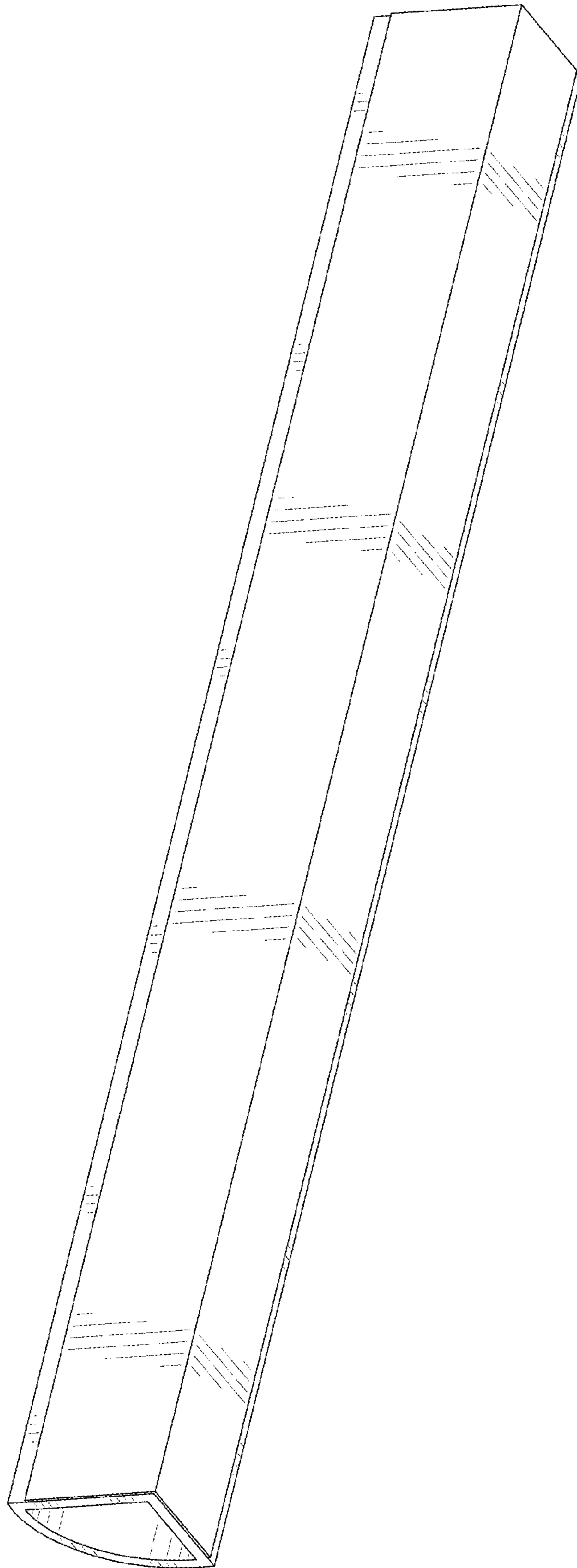


FIG. 2

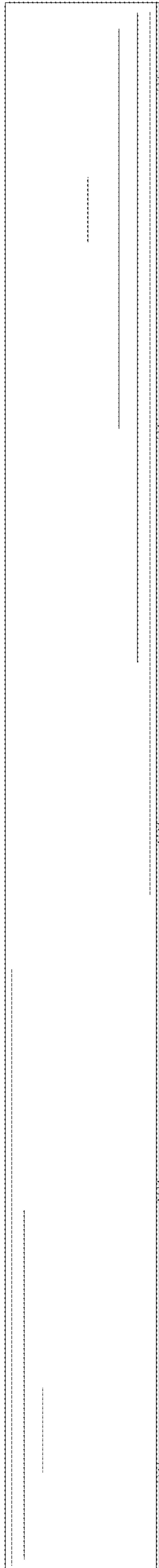


FIG. 3

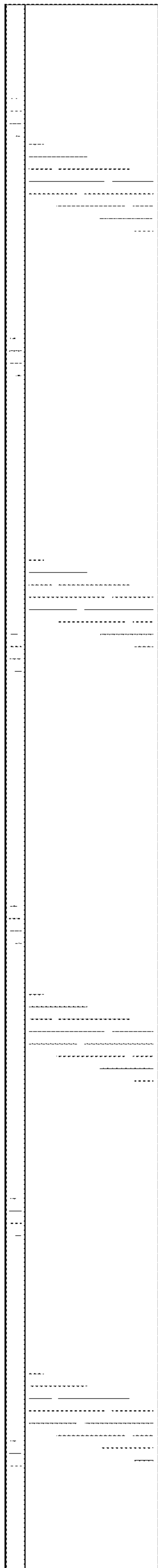


FIG. 4

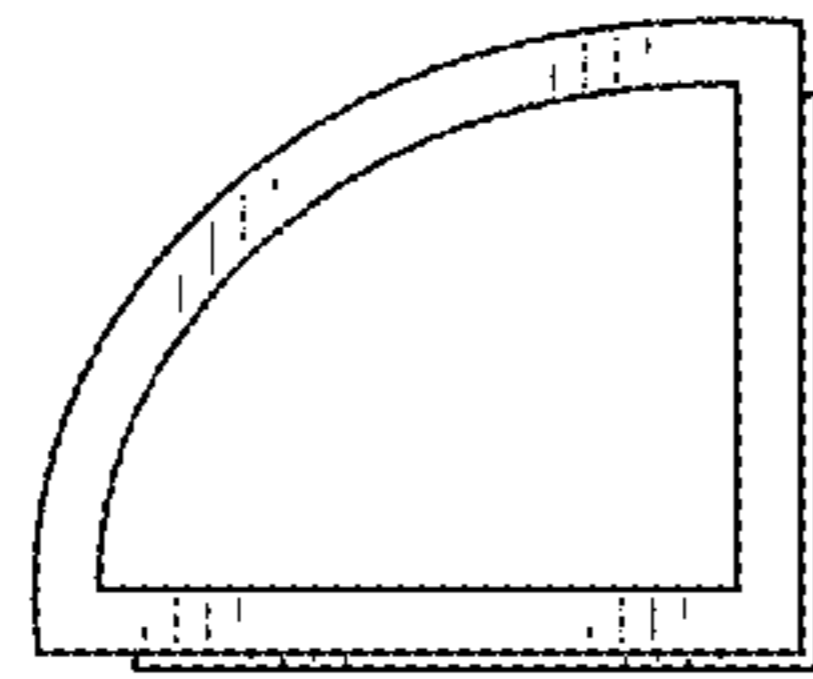


FIG. 5

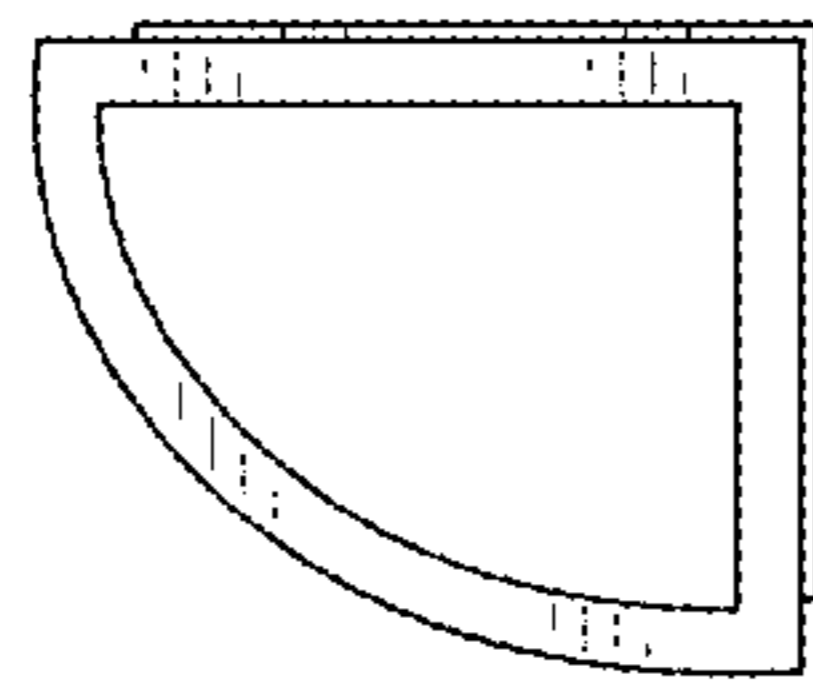


FIG. 6

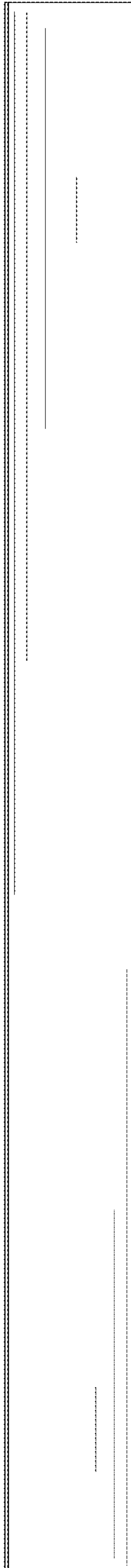


FIG. 7



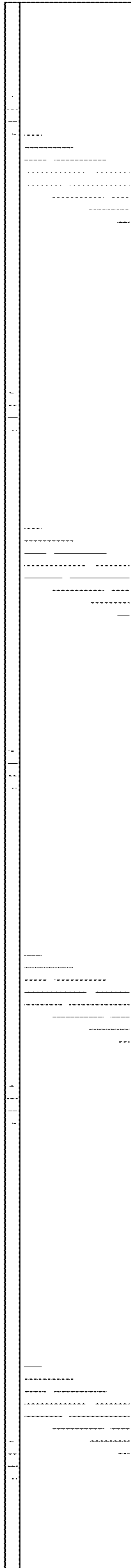


FIG. 8