



US00D982185S

(12) **United States Design Patent**
Cerilli

(10) **Patent No.:** **US D982,185 S**

(45) **Date of Patent:** **** Mar. 28, 2023**

- (54) **ROUGH STONE LOOKING STEP**
- (71) Applicant: **NuCast LLC**, Redford, MI (US)
- (72) Inventor: **Anthony Ulderico Cerilli**, Clinton Township, MI (US)
- (73) Assignee: **NuCast LLC**, Redford, MI (US)
- (**) Term: **15 Years**
- (21) Appl. No.: **29/781,956**
- (22) Filed: **May 3, 2021**
- (51) **LOC (14) Cl.** **25-04**
- (52) **U.S. Cl.**
USPC **D25/69**; D25/62; D25/113
- (58) **Field of Classification Search**
USPC D6/334, 349–355, 360, 363, 368, 374,
D6/403, 405, 685, 688, 693, 695, 708,
D6/709; D25/62, 65, 59, 113
CPC .. A47C 9/00; A47C 9/105; A47C 7/00; A47C
7/02; A47C 16/00; A47C 16/04; A47B
7/00; A47B 7/02; A47B 3/00; A47B 3/02;
A47B 3/04; A47B 3/12
See application file for complete search history.

(56) **References Cited**

U.S. PATENT DOCUMENTS

- 915,608 A * 3/1909 Kaye F27D 1/08
D25/113
- 926,767 A * 7/1909 Rehaut E04B 2/18
52/592.5
- 1,799,014 A * 3/1931 Innes E04C 1/40
52/576
- D187,267 S * 2/1960 Marsh D25/113
- D315,026 S * 2/1991 Castonguay D25/113
- D330,057 S * 10/1992 Saunders D21/671
- D378,702 S * 4/1997 Blomquist D25/113
- D477,767 S * 7/2003 Burdett D8/330

- D579,575 S * 10/2008 Lockwood D25/113
- D582,056 S * 12/2008 Plies D25/113
- D582,057 S * 12/2008 Plies D25/113

(Continued)

OTHER PUBLICATIONS

NuCast Precast Concrete . . . , posted Jan. 2021 [online], [retrieved Nov. 18, 2022]. Retrieved from internet, <https://a.co/d/coOeiti> (Year: 2021).*

(Continued)

Primary Examiner — T Chase Nelson
Assistant Examiner — Sydney Margaret Parsley
(74) *Attorney, Agent, or Firm* — Quinn IP Law

(57) **CLAIM**

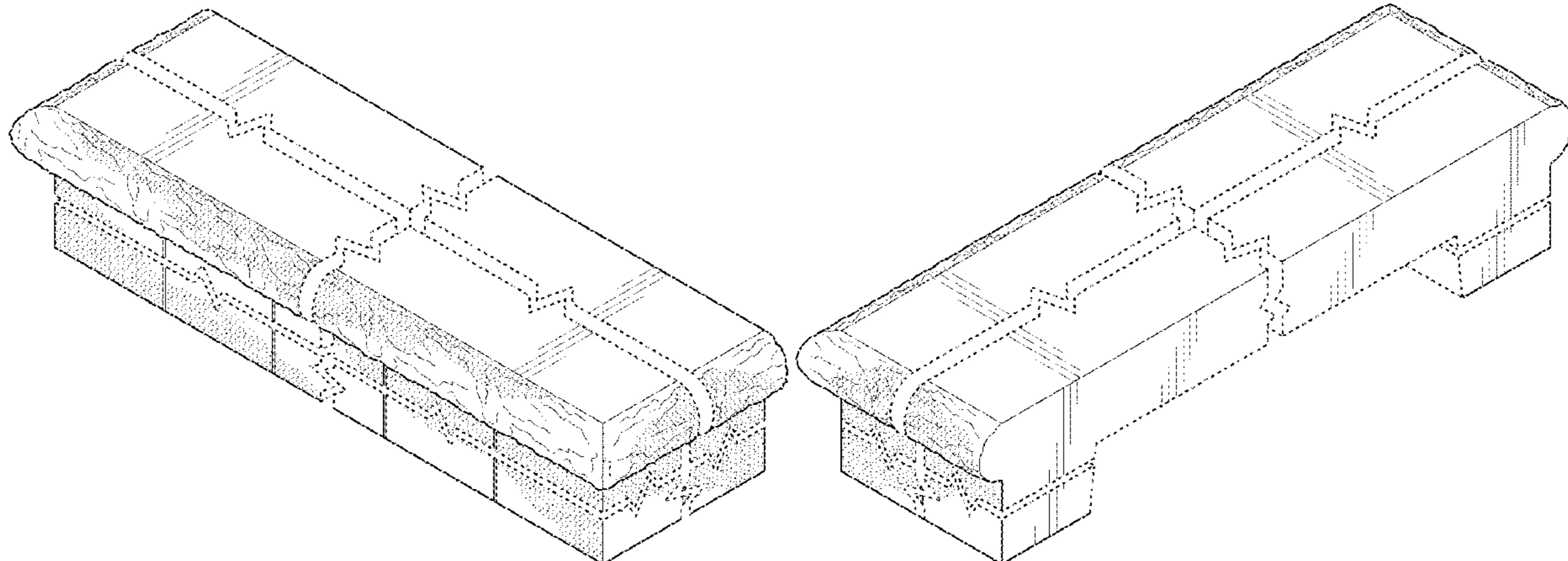
The ornamental design for a rough stone looking step, as shown and described.

DESCRIPTION

FIG. 1 is a front isometric view of a rough stone looking step;
FIG. 2 is a rear isometric view of the rough stone looking step of FIG. 1;
FIG. 3 is a front elevation view of the rough stone looking step of FIG. 1;
FIG. 4 is a rear elevation view of the rough stone looking step of FIG. 1;
FIG. 5 is a right side elevation view of the rough stone looking step of FIG. 1;
FIG. 6 is a left side elevation view of the rough stone looking step of FIG. 1;
FIG. 7 is a top plan view of the rough stone looking step of FIG. 1; and,
FIG. 8 is a bottom plan view of the rough stone looking step of FIG. 1.

The broken lines represent structure or features that form no part of the claimed design. The appearance of any portion of the rough stone looking step between the break lines shown in FIGS. 1-8 forms no part of the claimed design.

1 Claim, 3 Drawing Sheets



(56)

References Cited

U.S. PATENT DOCUMENTS

D619,669 S *	7/2010	Mesirow	D21/797
D643,939 S *	8/2011	Mugge	D25/113
D688,809 S *	8/2013	McAllister	D25/113
D739,481 S *	9/2015	Glickfield	D21/671
D773,072 S *	11/2016	Magnuson	D25/113
D783,860 S *	4/2017	Mugge	D25/113
D789,556 S *	6/2017	Lundell	D25/113
D815,307 S *	4/2018	Mugge	D25/113
D817,043 S *	5/2018	Baylar	D6/691.4
D820,473 S *	6/2018	Mugge	D25/113
D834,841 S *	12/2018	Mandon	D6/381
D855,217 S *	7/2019	Mugge	D25/113

OTHER PUBLICATIONS

Standard Concrete Block, posted Apr. 13, 2019 [online], [retrieved Dec. 7, 2022]. Retrieved from internet, <https://www.lowes.com/pd/Common-36-in-x-7-in-x-36-in-Actual-36-in-x-7-in-x-36-in-Concrete-Step-Standard-Concrete-Block/1000812258> (Year: 2019).*

* cited by examiner

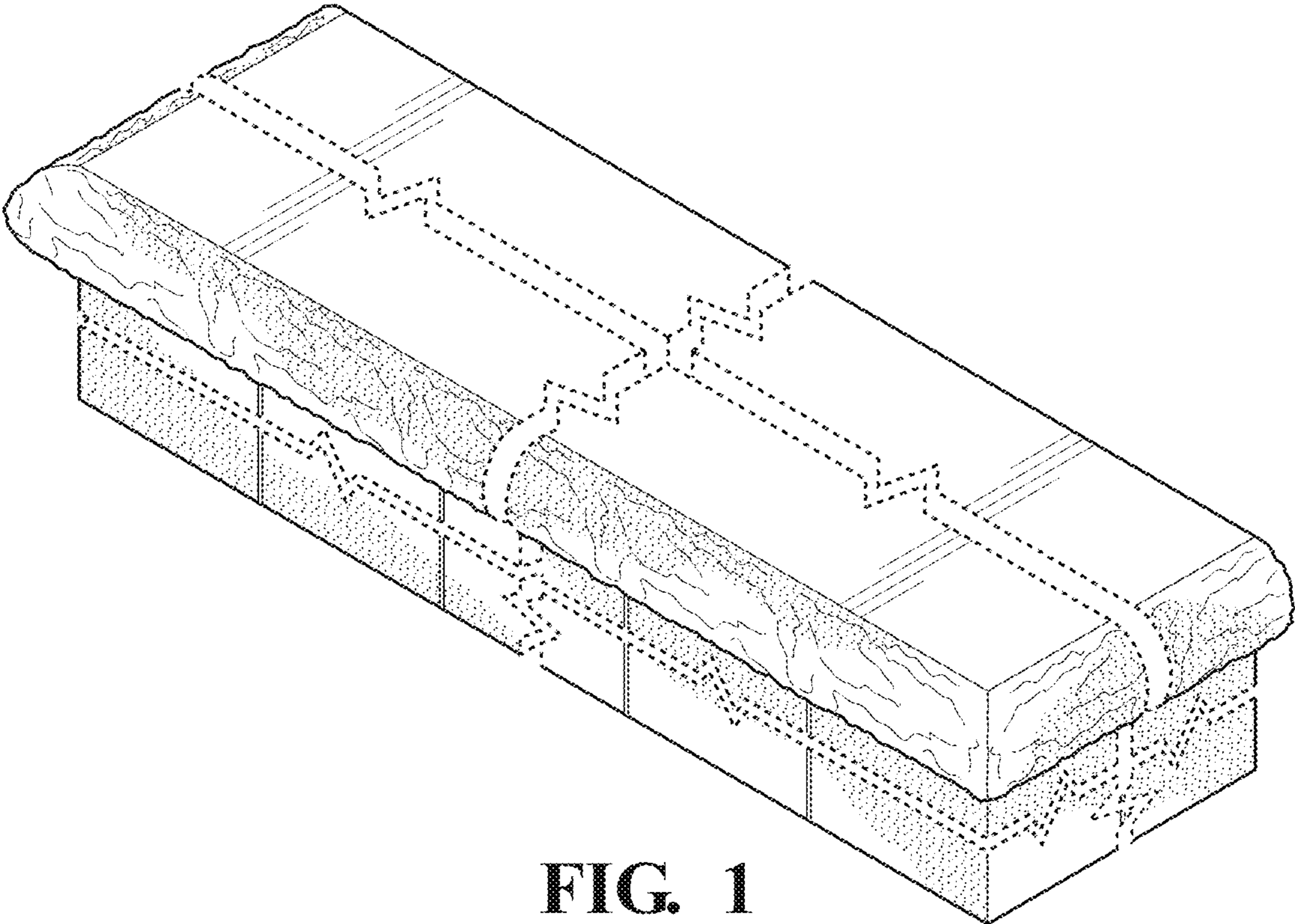


FIG. 1

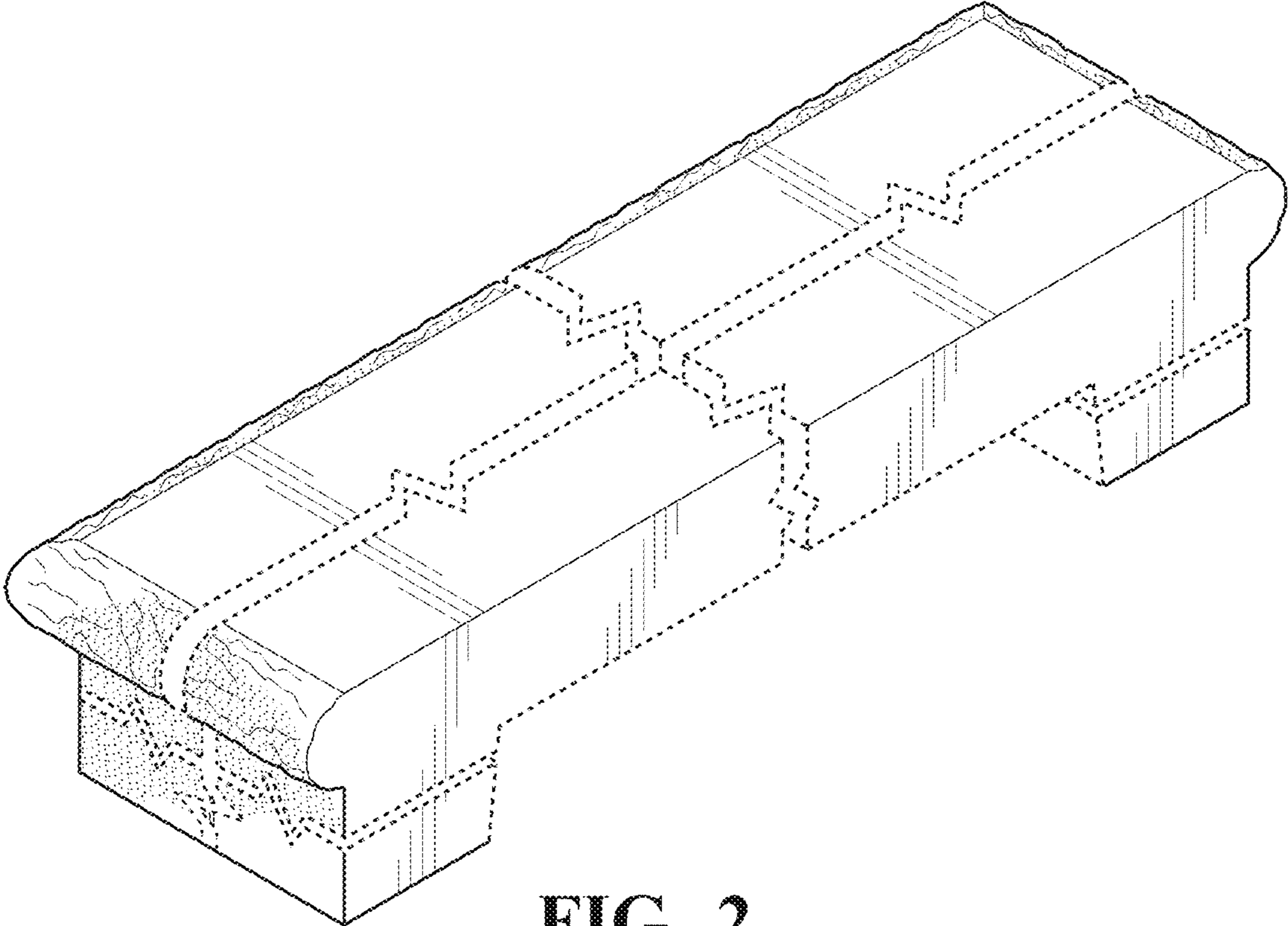


FIG. 2

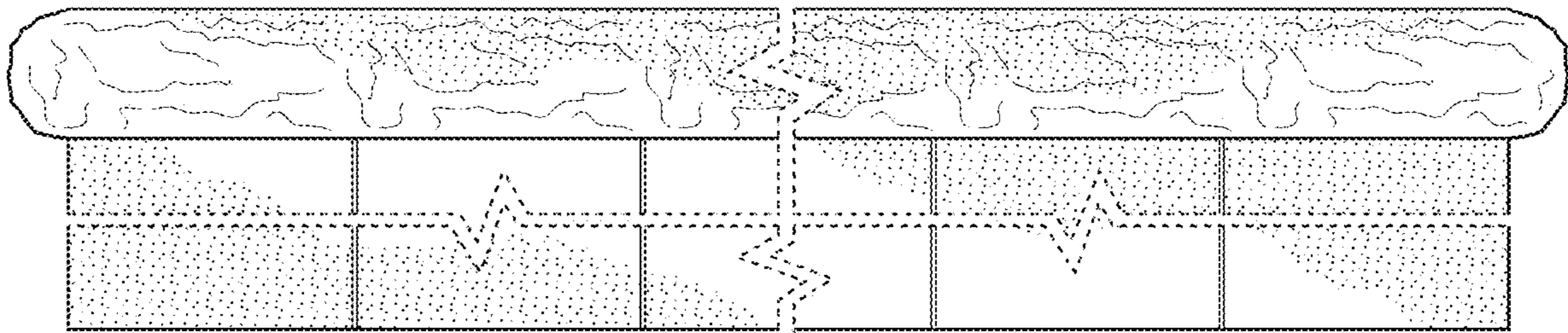


FIG. 3

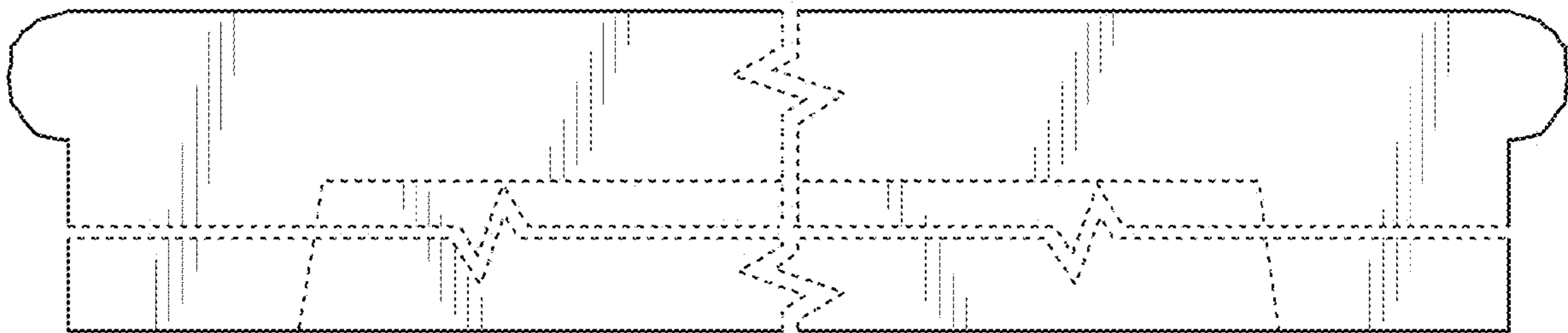


FIG. 4

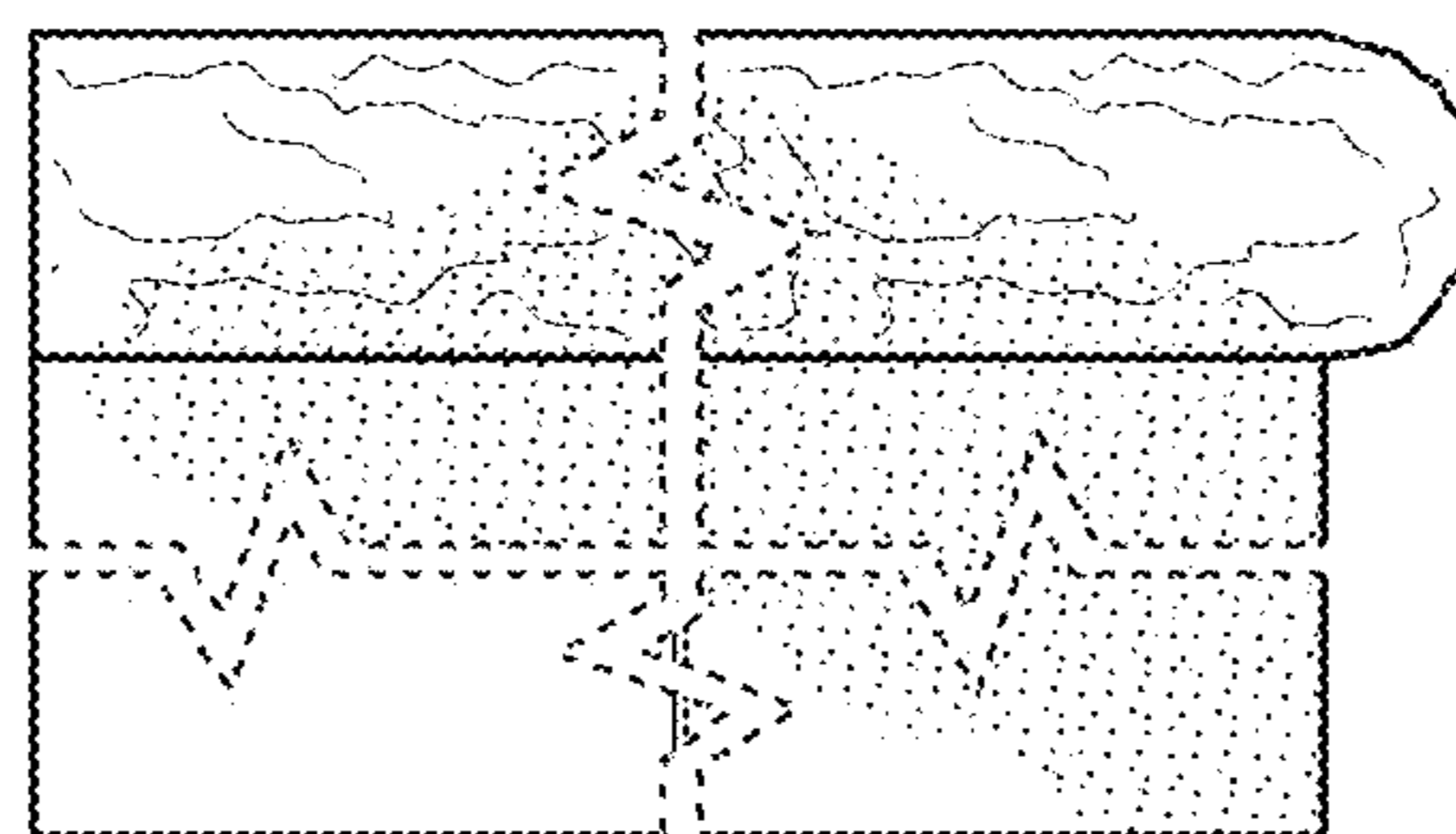


FIG. 5

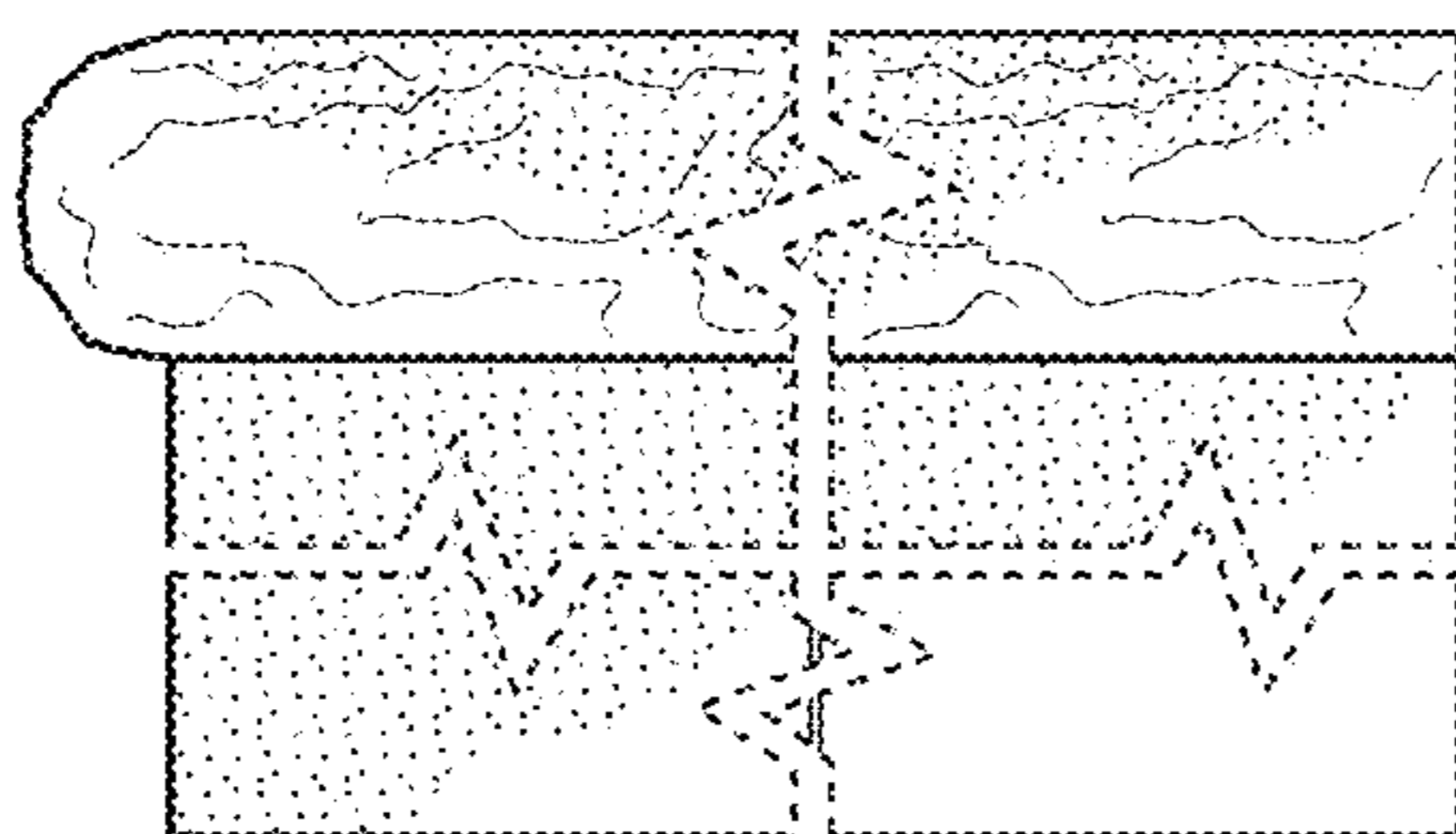


FIG. 6

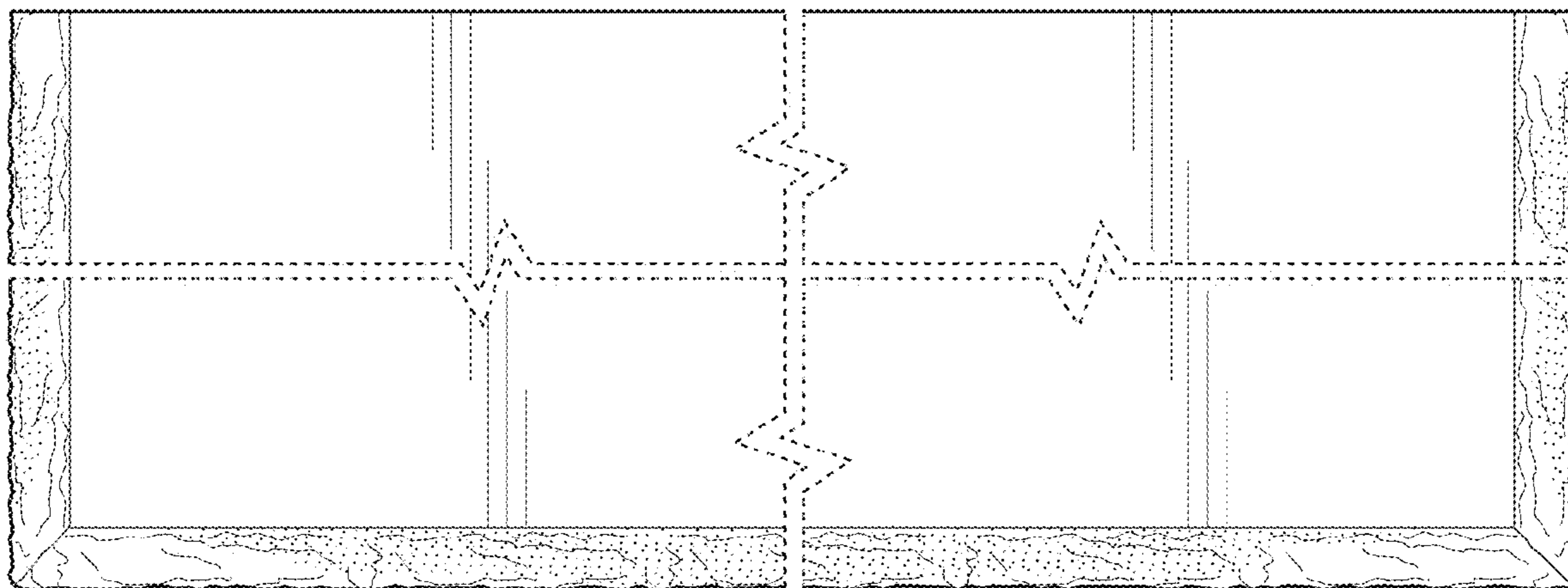


FIG. 7

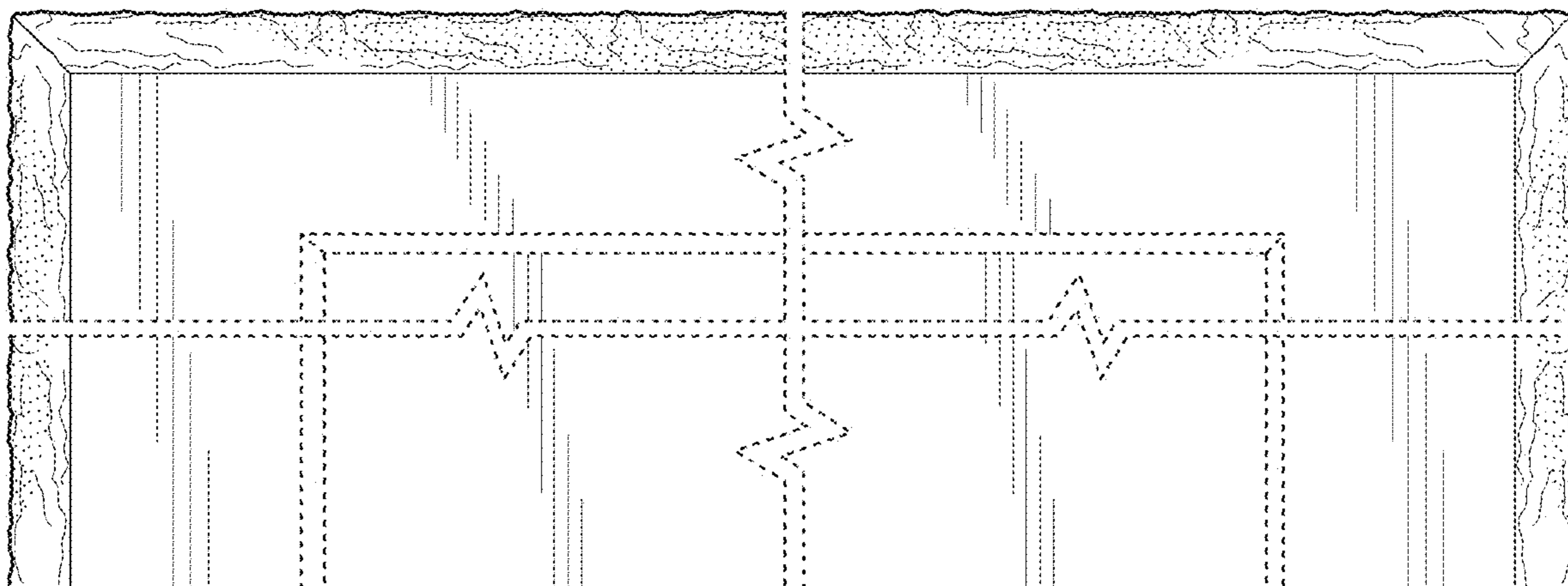


FIG. 8