



US00D982180S

(12) **United States Design Patent** (10) **Patent No.:** **US D982,180 S**
Altman et al. (45) **Date of Patent:** **** Mar. 28, 2023**

(54) **CAP FOR LIGHT EMITTING DEVICE**
(71) Applicant: **LUMENIS LTD.**, Yokneam (IL)
(72) Inventors: **Hernan Altman**, Kiryat Tivon (IL);
Joseph Birman, Haifa (IL)
(73) Assignee: **LUMENIS BE LTD.**, Yokneam (IL)

2016/0198765 A1* 7/2016 Liu A24F 40/40
392/386
2016/0374549 A1* 12/2016 Xue A61B 3/0083
351/221
2017/0224023 A1* 8/2017 Lin A24F 40/40
2017/0259868 A1* 9/2017 Hu B62J 6/03
(Continued)

(**) Term: **15 Years**
(21) Appl. No.: **29/764,416**

FOREIGN PATENT DOCUMENTS

CN 307059153 * 1/2022
IL 67210 * 6/2021

(22) Filed: **Dec. 30, 2020**
(51) **LOC (14) Cl.** **24-99**
(52) **U.S. Cl.**
USPC **D24/231**
(58) **Field of Classification Search**
USPC D24/108, 111, 112, 127, 129, 130, 164,
D24/230, 231
CPC A61J 1/00; A61K 6/00; A61K 2121/00;
G01F 1/00; G01F 11/00; G01F 17/00;
G01F 23/00; C12M 1/00; A61F
2009/0087; A61F 9/008; G02B 1/00;
G02B 2207/00
See application file for complete search history.

OTHER PUBLICATIONS

Lamp Socket, Jun. 16, 2020, amazon.com [online], [site visited Mar. 30, 2022], Available from internet, URL: <https://www.amazon.com/100Pcs-Light-Emitting-Display-Transparent-Protective/dp/B08B83Y39T/ref=sr_1_18?crd=1PJ3ALXBYN9KL&keywords=cap+for+light+emitting&qid=1648757166&sprefix=cap+for+light+emitting+%2Caps%2C83&sr=8-18> (Year: 2020).*
(Continued)

Primary Examiner — Wendy L Arminio
Assistant Examiner — Maheen Khurshid
(74) *Attorney, Agent, or Firm* — ISUS Intellectual Property PLLC; Anthony Jason Mirabito

(56) **References Cited**

(57) **CLAIM**

U.S. PATENT DOCUMENTS

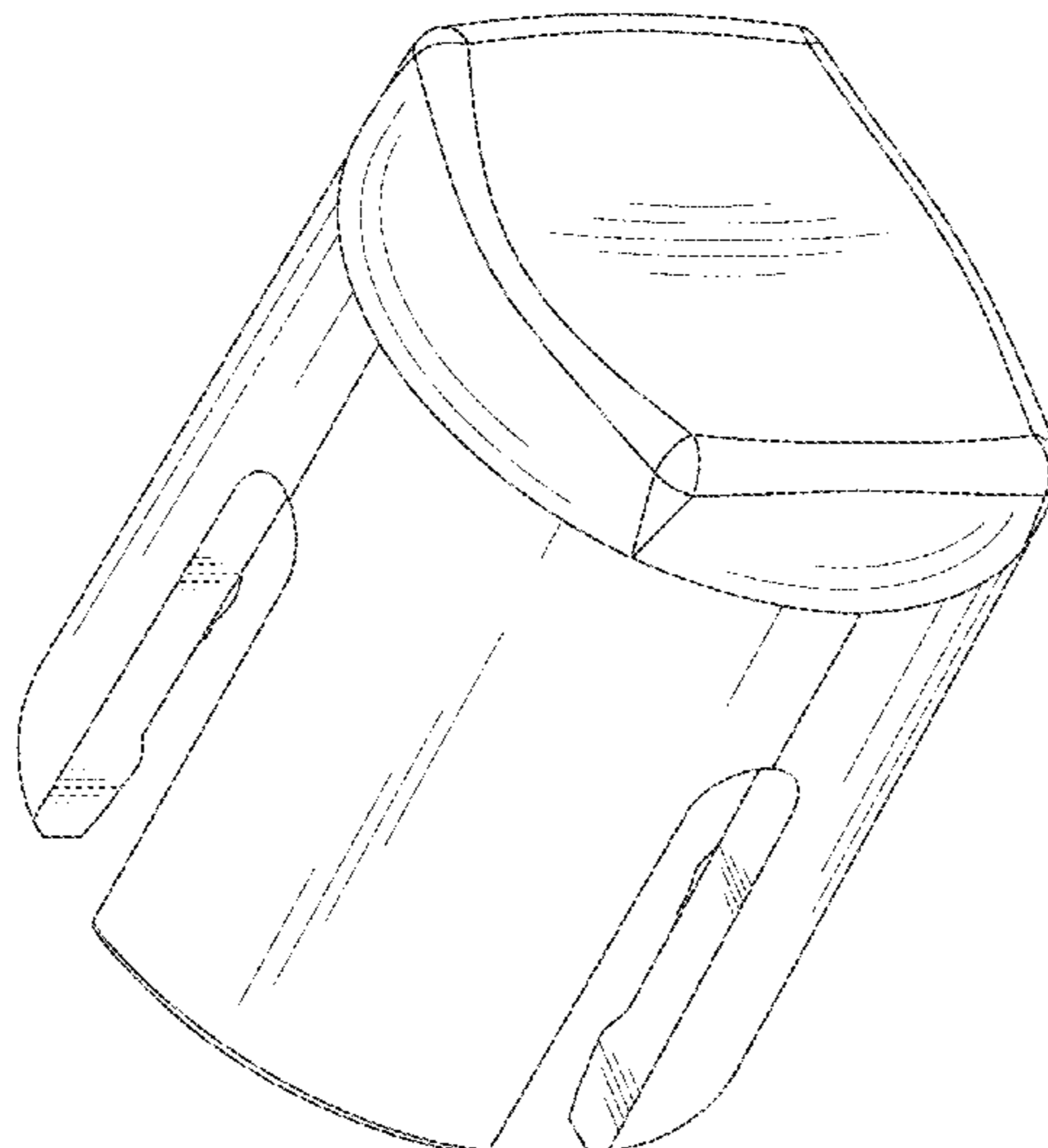
The ornamental design for a cap for light emitting device, as shown and described.

6,481,148 B1* 11/2002 Lindgren A01K 85/01
362/276
D561,348 S * 2/2008 Zinger D24/231
D681,230 S * 4/2013 Mosier D24/129
8,807,814 B1* 8/2014 Glenn F21V 21/0885
362/580
D787,052 S * 5/2017 Heinz D24/130
11,116,193 B2* 9/2021 Shim A01K 85/01
D940,875 S * 1/2022 Gulani D24/172
2014/0308875 A1* 10/2014 Renforth A63H 33/22
446/485
2015/0157807 A1* 6/2015 Srinivasan A61M 5/3257
604/198
2016/0114937 A1* 4/2016 Hylton B65D 47/0857
206/519

DESCRIPTION

FIG. 1 is a Top Perspective View of the new design.
FIG. 2 is a Bottom Perspective View of the new design.
FIG. 3 is a Left View of the new design.
FIG. 4 is a Right-Side View of the new design.
FIG. 5 is a Front View of the new design.
FIG. 6 is a Rear View of the new design.
FIG. 7 is a Top View of the new design; and,
FIG. 8 is a Bottom View of the new design.

1 Claim, 8 Drawing Sheets



(56)

References Cited

U.S. PATENT DOCUMENTS

2018/0140783 A1* 5/2018 Raday A61M 5/326
2018/0180275 A1* 6/2018 Suo F21K 9/238

OTHER PUBLICATIONS

Peermax Drop Direct Eye Drop Dispenser, Jun. 2, 2021, [site visited Mar. 30, 2022], Availabel from internet, URL: <https://www.amazon.com/Peermax-Drop-Direct-Eye-Dispenser/dp/B096H_KFHSS/ref=sr_1_3?crid=3UL59L7KDIUK&keywords=peermax&qid=1648757100&s=hpc&srefix=peermax%2Chpc%2C69&sr=1-3> (Year: 2021).*

* cited by examiner

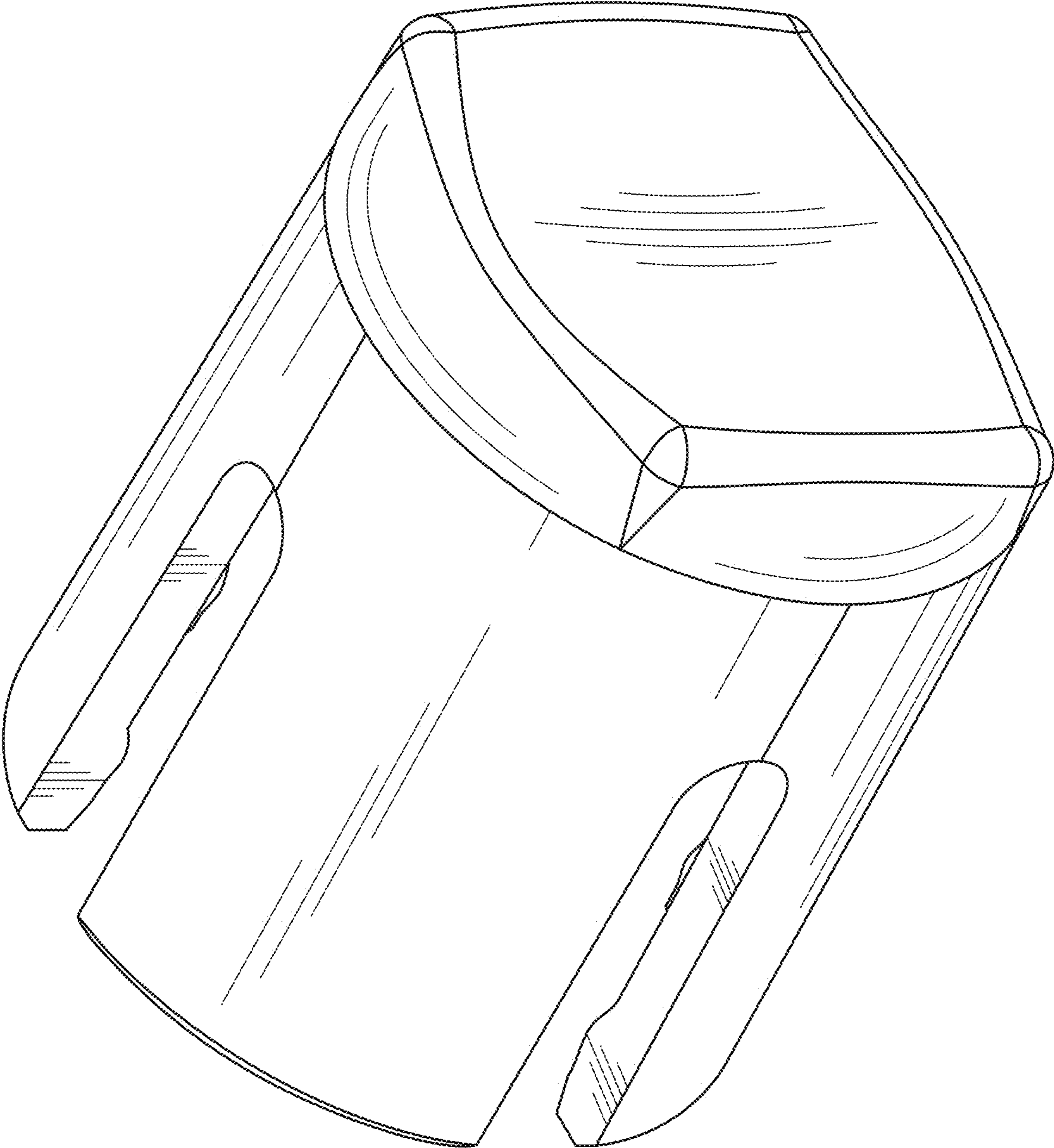


FIG. 1

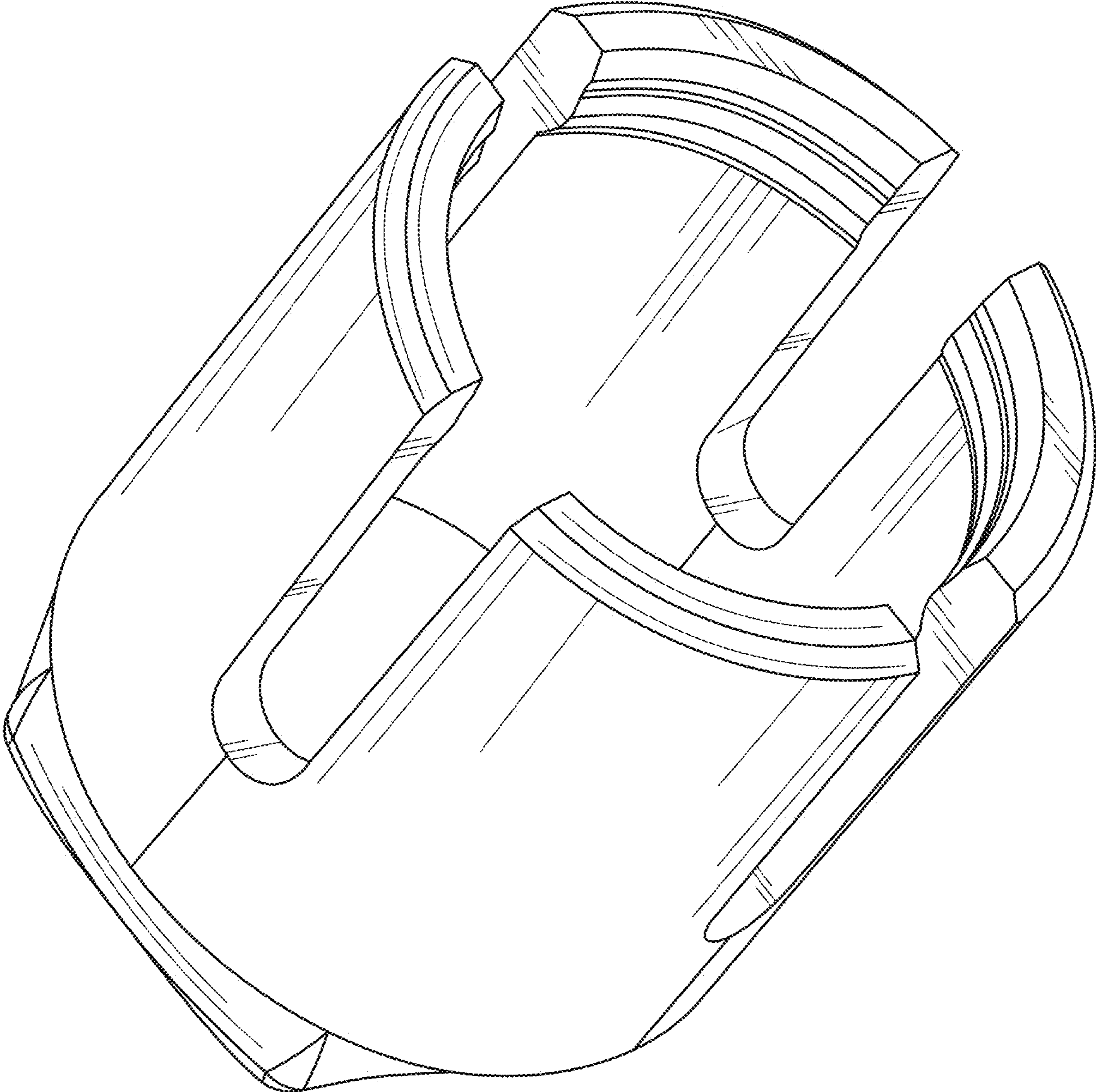


FIG. 2

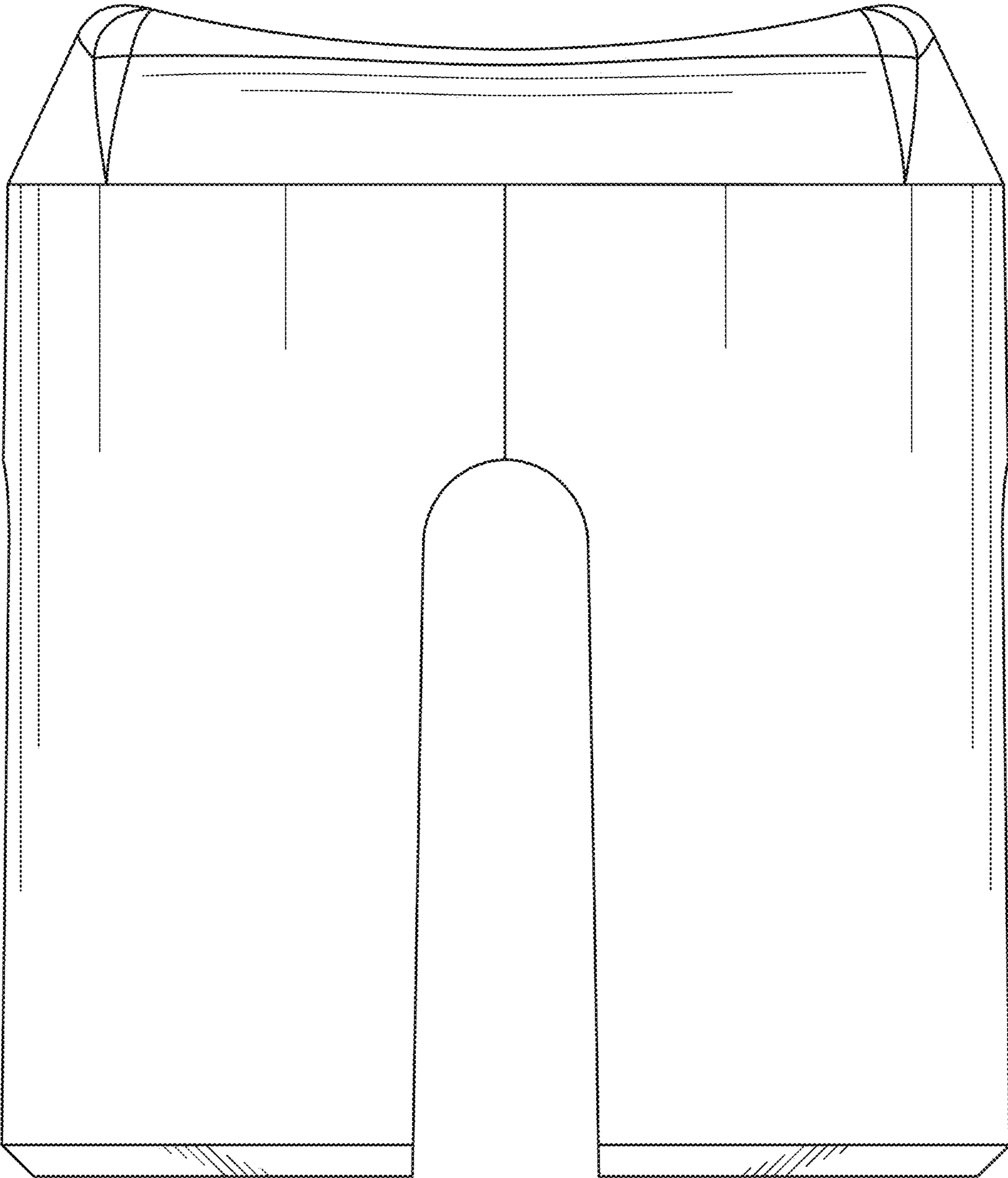


FIG. 3

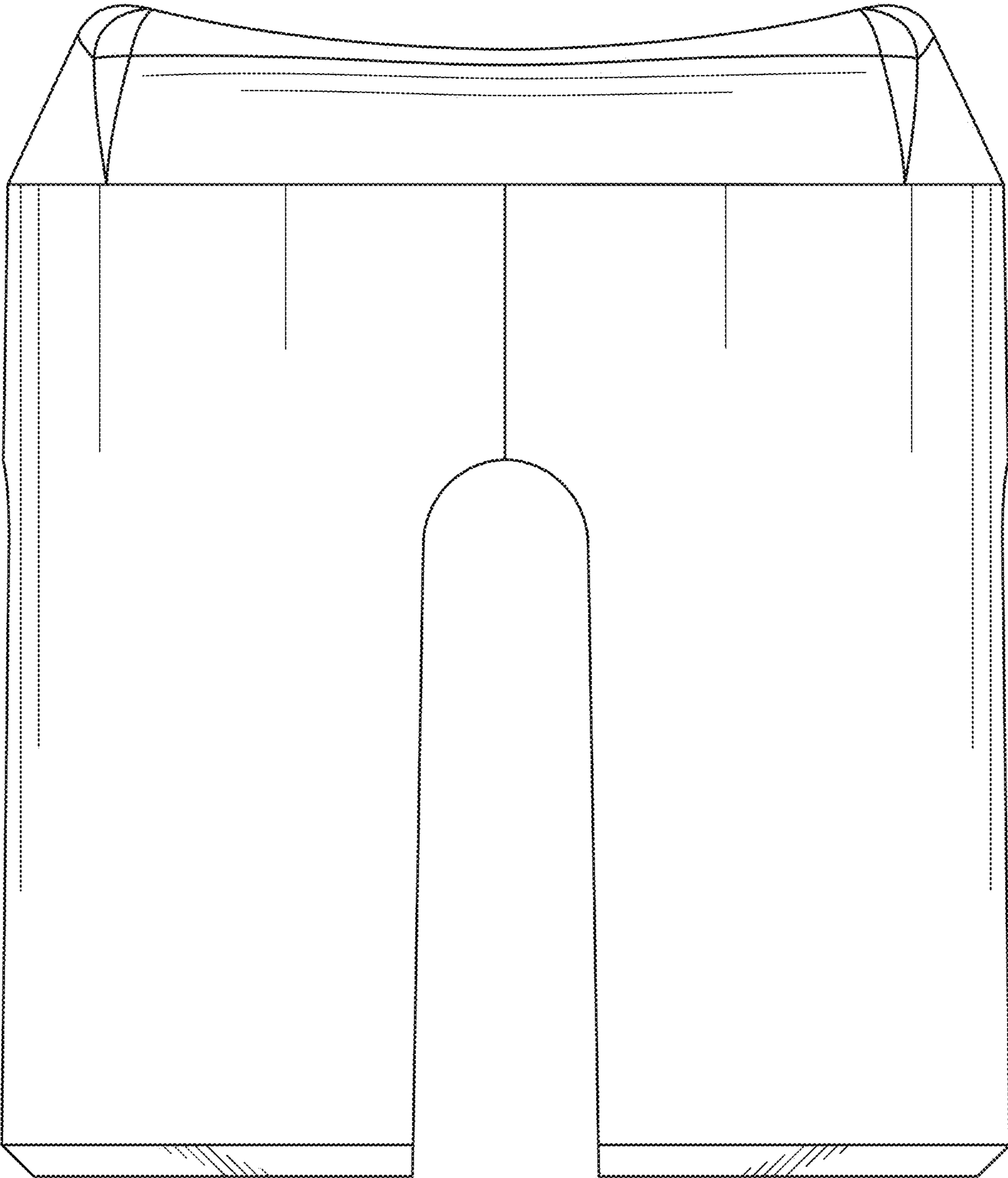


FIG. 4

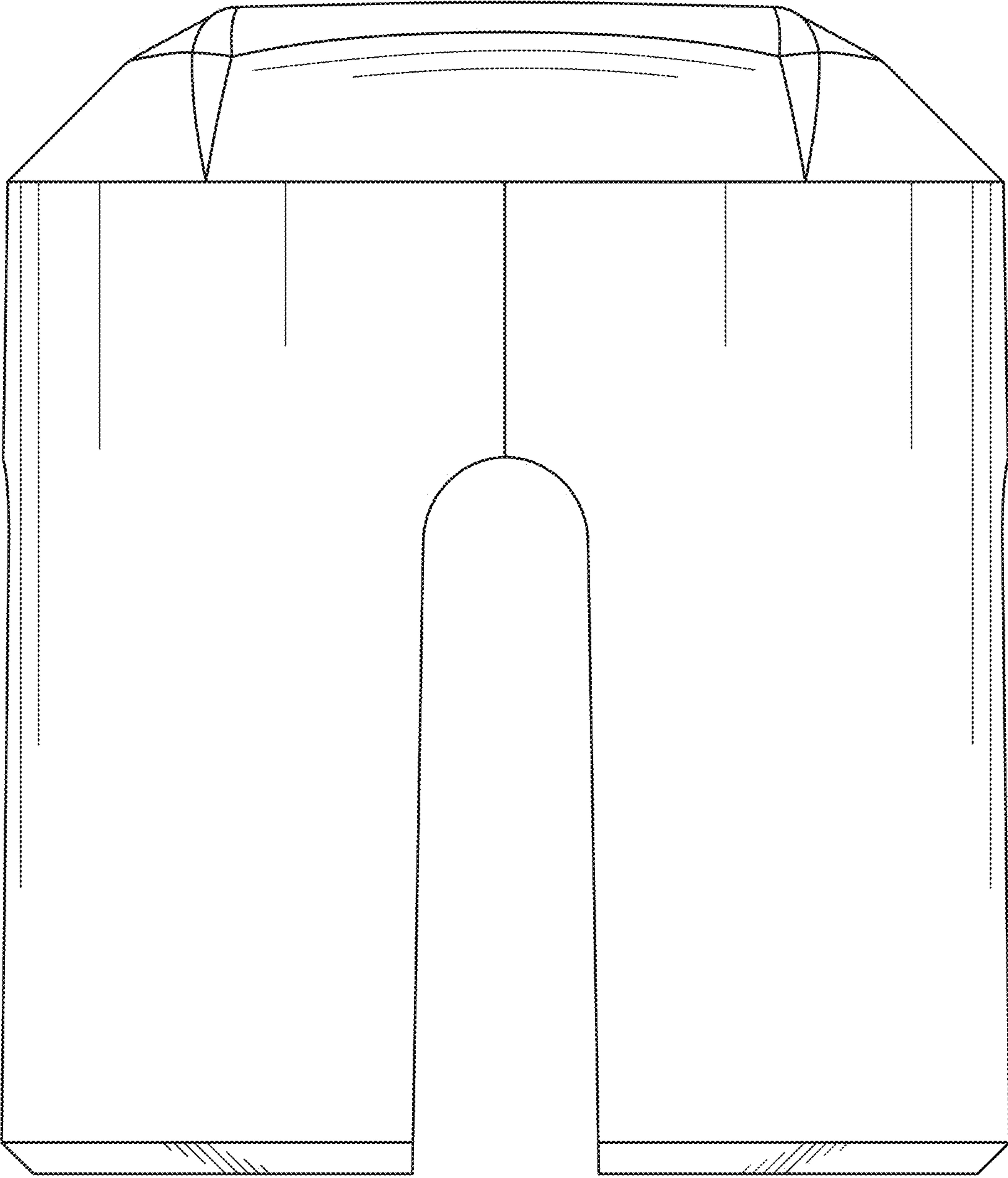


FIG. 5

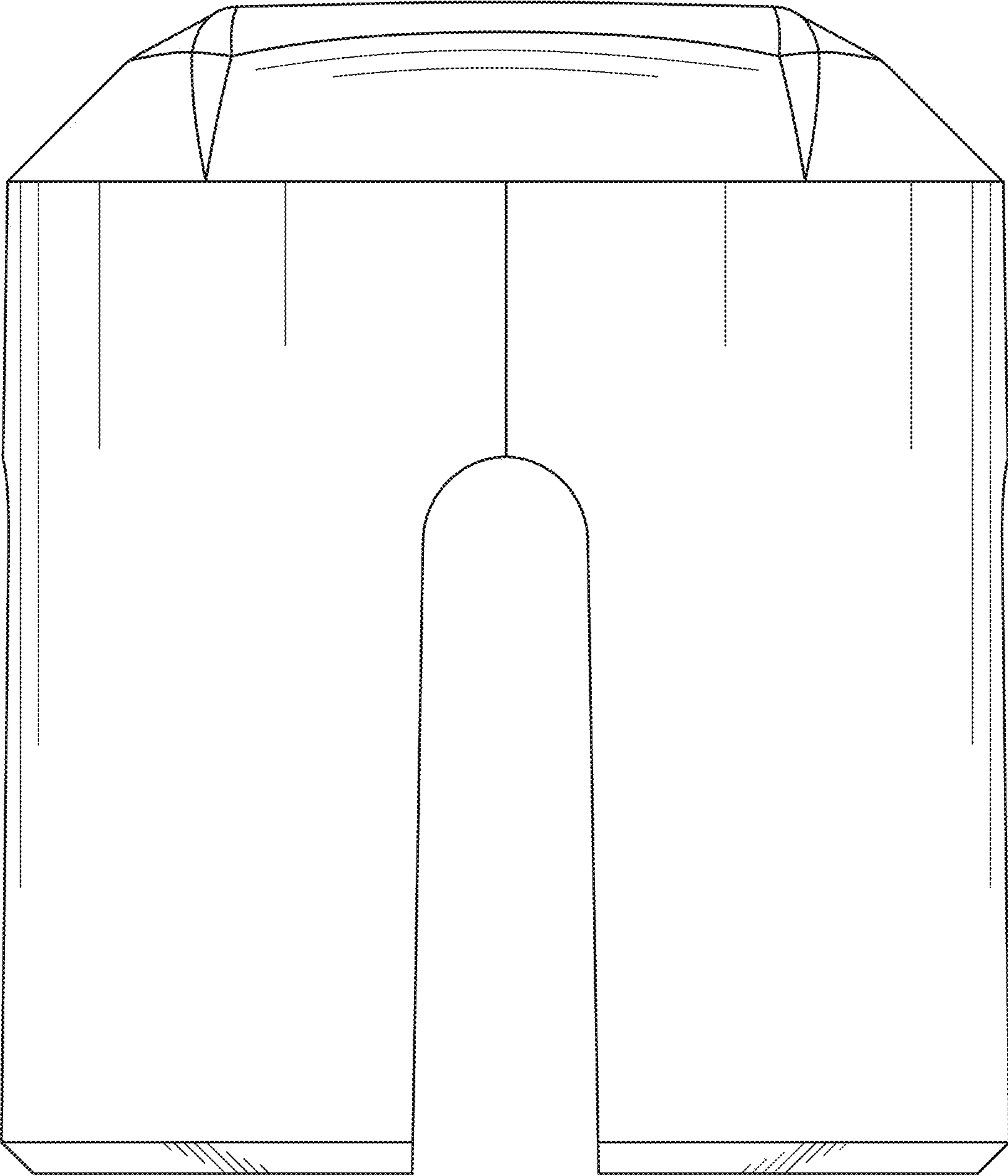


FIG. 6

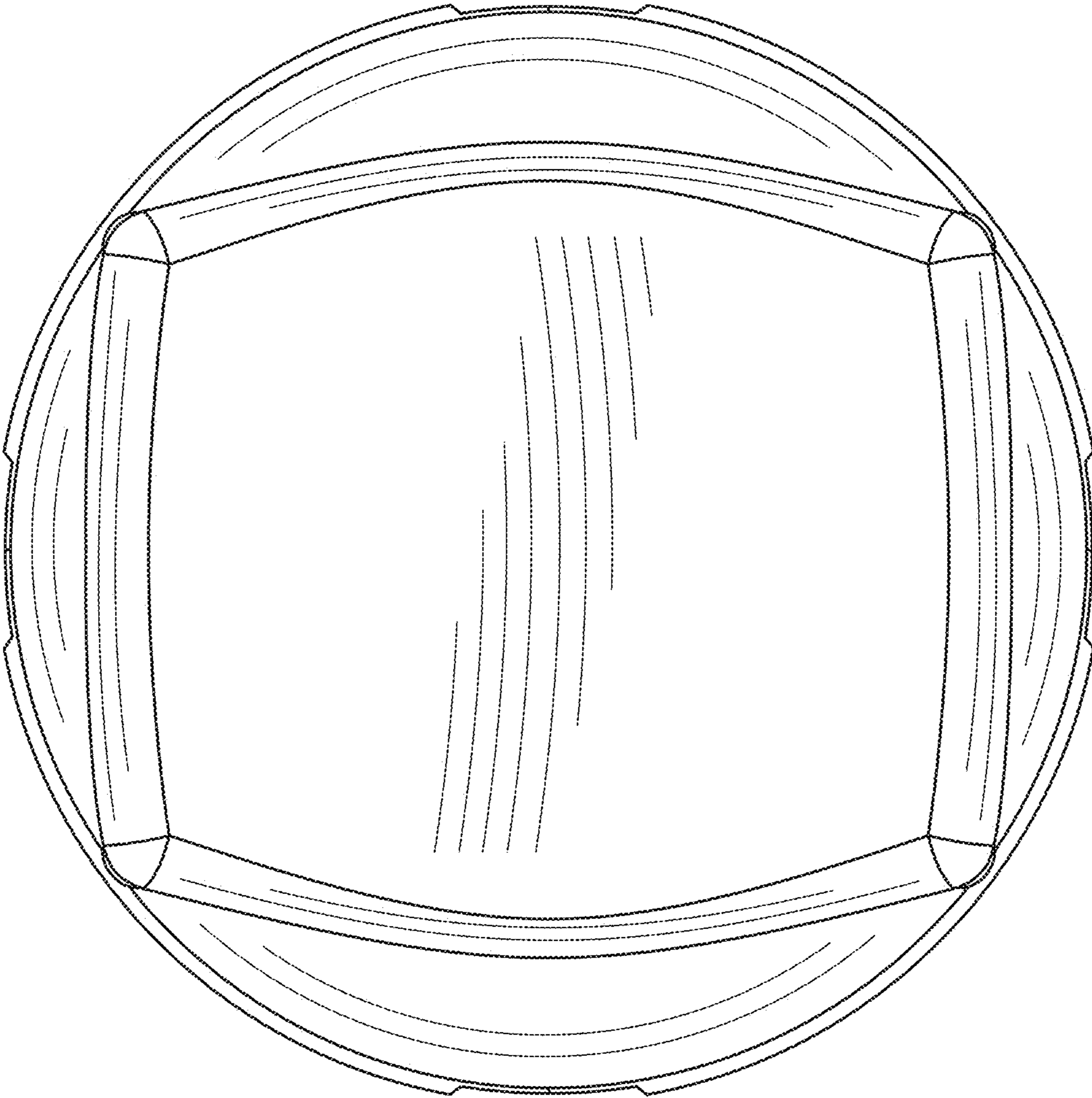


FIG. 7

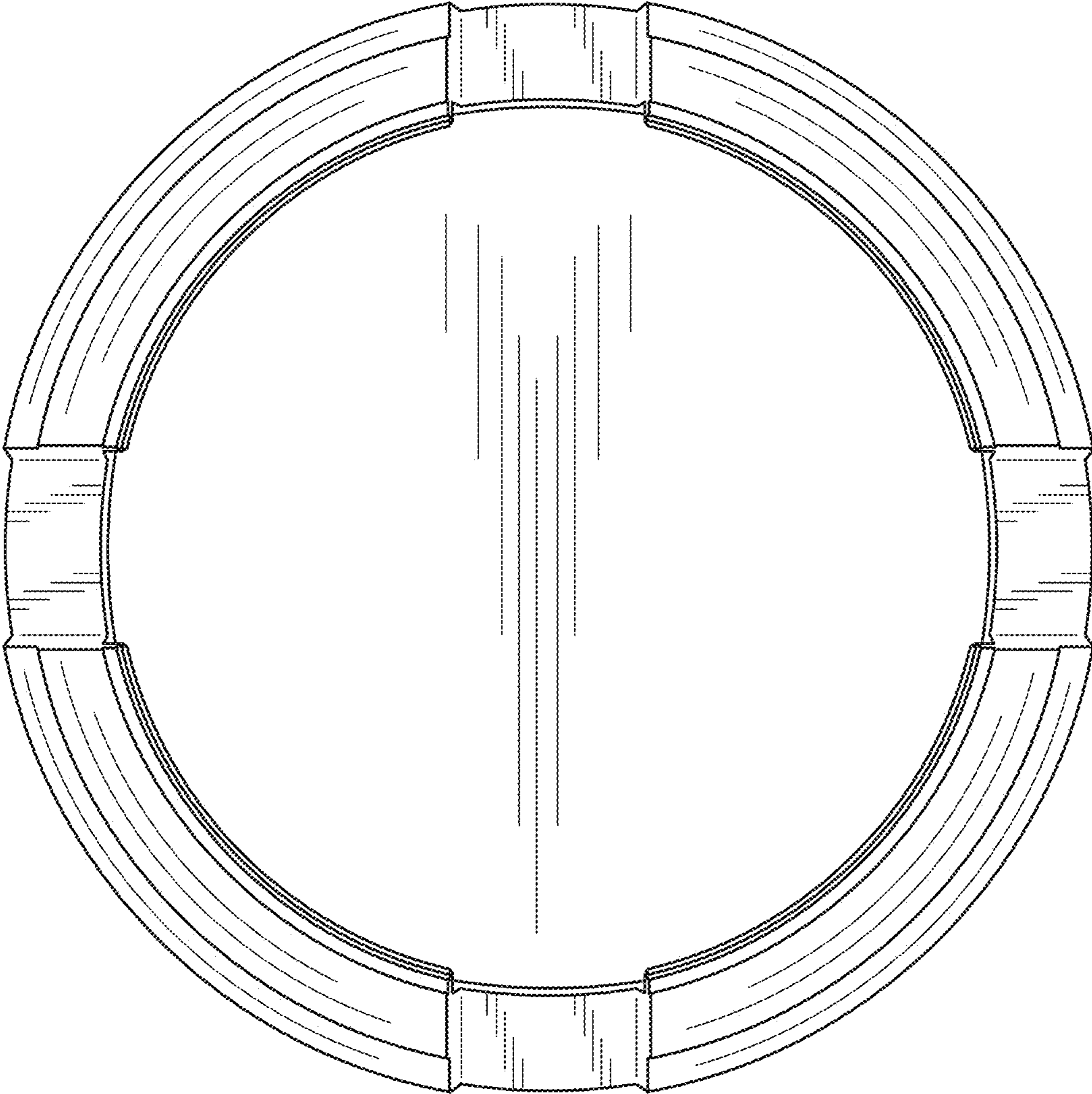


FIG. 8