



US00D982179S

(12) **United States Design Patent** (10) **Patent No.:** **US D982,179 S**
Fang (45) **Date of Patent:** **** Mar. 28, 2023**

(54) **EXTRACTION TUBE HOLDER** D956,263 S * 6/2022 Beckett D24/226
D956,349 S * 6/2022 Goradesky D27/187
(71) Applicant: **Zhejiang Orient Gene Biotech Co.,** D959,019 S * 7/2022 Hawkins D24/227
Ltd, Zhejiang (CN) D960,388 S * 8/2022 Fang D24/224

(72) Inventor: **Jianqiu Fang, Zhejiang (CN)**

(73) Assignee: **Zhejiang Orient Gene Biotech Co.,**
Ltd, Anji Huzhou (CN)

(**) Term: **15 Years**

(21) Appl. No.: **29/797,182**

(22) Filed: **Jun. 29, 2021**

(30) **Foreign Application Priority Data**

Mar. 18, 2021 (CN) 202130145414.4

(51) **LOC (14) Cl.** **24-02**

(52) **U.S. Cl.**
USPC **D24/227**

(58) **Field of Classification Search**
USPC D24/128, 231, 232, 227
CPC B65D 25/108; B01L 9/543; B01L 3/0217;
B01L 3/0279

See application file for complete search history.

(56) **References Cited**

U.S. PATENT DOCUMENTS

D448,854 S * 10/2001 Kuiper D24/227
D450,130 S * 11/2001 Goldstein D24/227
D632,404 S * 2/2011 Karpiloff D24/230
D698,496 S * 1/2014 Smith D7/510
D735,881 S * 8/2015 Thomas D24/227
D787,087 S * 5/2017 Duffy D24/227
D898,941 S * 10/2020 Ollar D24/227
D902,433 S * 11/2020 Livingston D24/227
D902,434 S * 11/2020 Livingston D24/227
D932,052 S * 9/2021 Zergiebel D24/227
D954,990 S * 6/2022 Thomas D24/227

FOREIGN PATENT DOCUMENTS

EM 008508998-0001 * 5/2021
EM 008508998-0002 * 5/2021
EM 008508998-0004 * 5/2021

OTHER PUBLICATIONS

Celltreat Plastic 50 ML Centrifuge Tube Racks, Morgansville Scientific, morganvillescisci.com/, [Post date: unknown], [Site seen Jan. 23, 2023], Seen at URL: <https://morganvillescisci.com/shop/celltreat-products/tube-racks-celltreat-products/celltreat-plastic-50-ml-centrifuge-tube-racks/> (Year: 2023).*

(Continued)

Primary Examiner — Natasha Vujcic

Assistant Examiner — Gilbert B Ford

(74) *Attorney, Agent, or Firm* — NZ Carr Law Office

(57) **CLAIM**

I claim, the ornamental design for an extraction tube holder, as shown and described.

DESCRIPTION

FIG. 1 is a front view of an extraction tube holder of our design;

FIG. 2 is a rear view thereof;

FIG. 3 is a left side view thereof;

FIG. 4 is a right side view thereof;

FIG. 5 is a top view thereof;

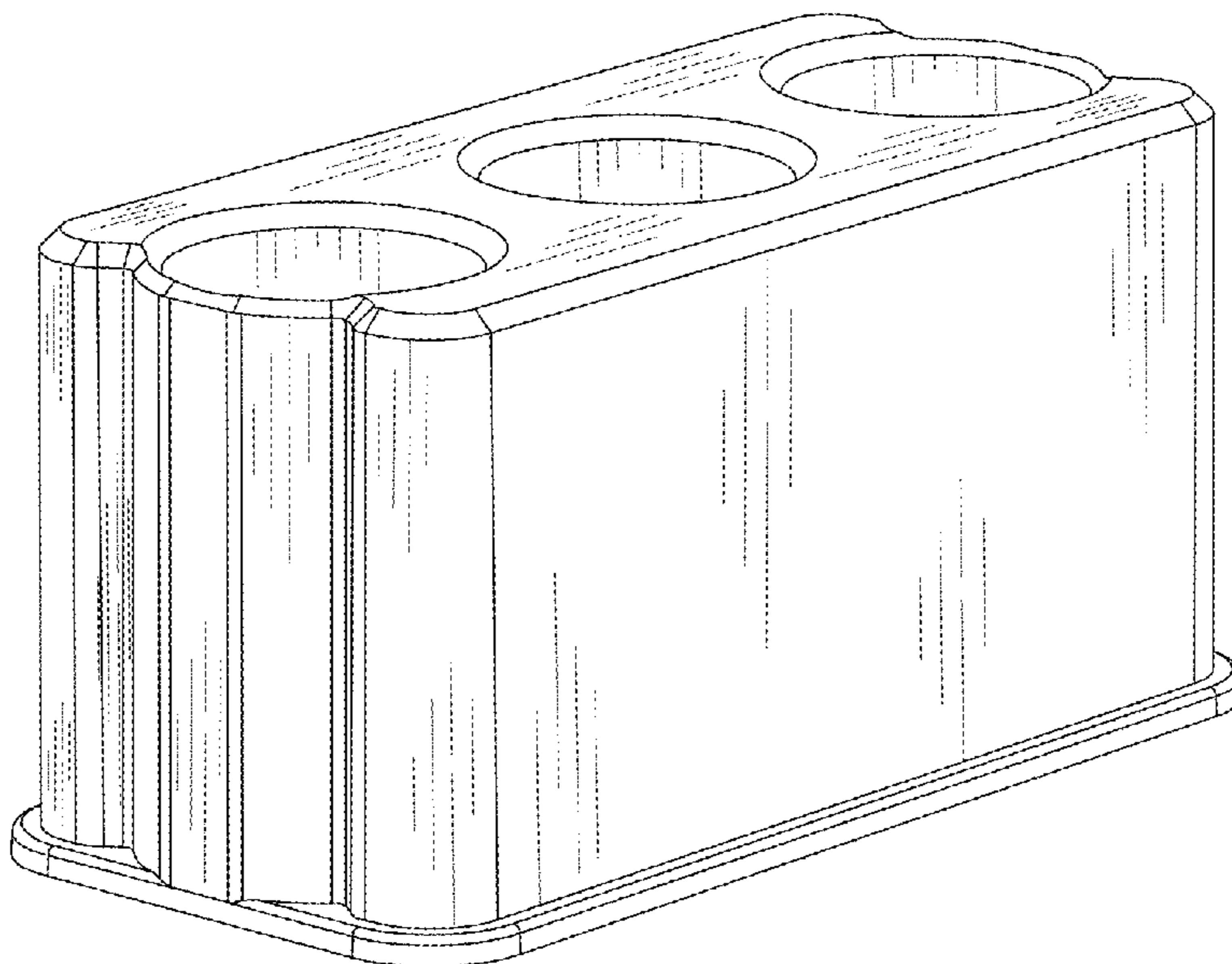
FIG. 6 is a bottom view thereof;

FIG. 7 is a top front perspective view thereof; and,

FIG. 8 is a bottom rear perspective view thereof.

All broken lines represent portions of the extraction tube holder that form no part of the claimed subject matter.

1 Claim, 8 Drawing Sheets



(56)

References Cited

OTHER PUBLICATIONS

Ohaus 30400202 Single Tube Holder, Hogentogler & Co. Inc.,
hogentogler.com, [Post date unknown], [Site seen Jan. 23, 2023],
Seen at URL: https://www.hogentogler.com/pc_product_detail.asp
(Year: 2023).*

* cited by examiner

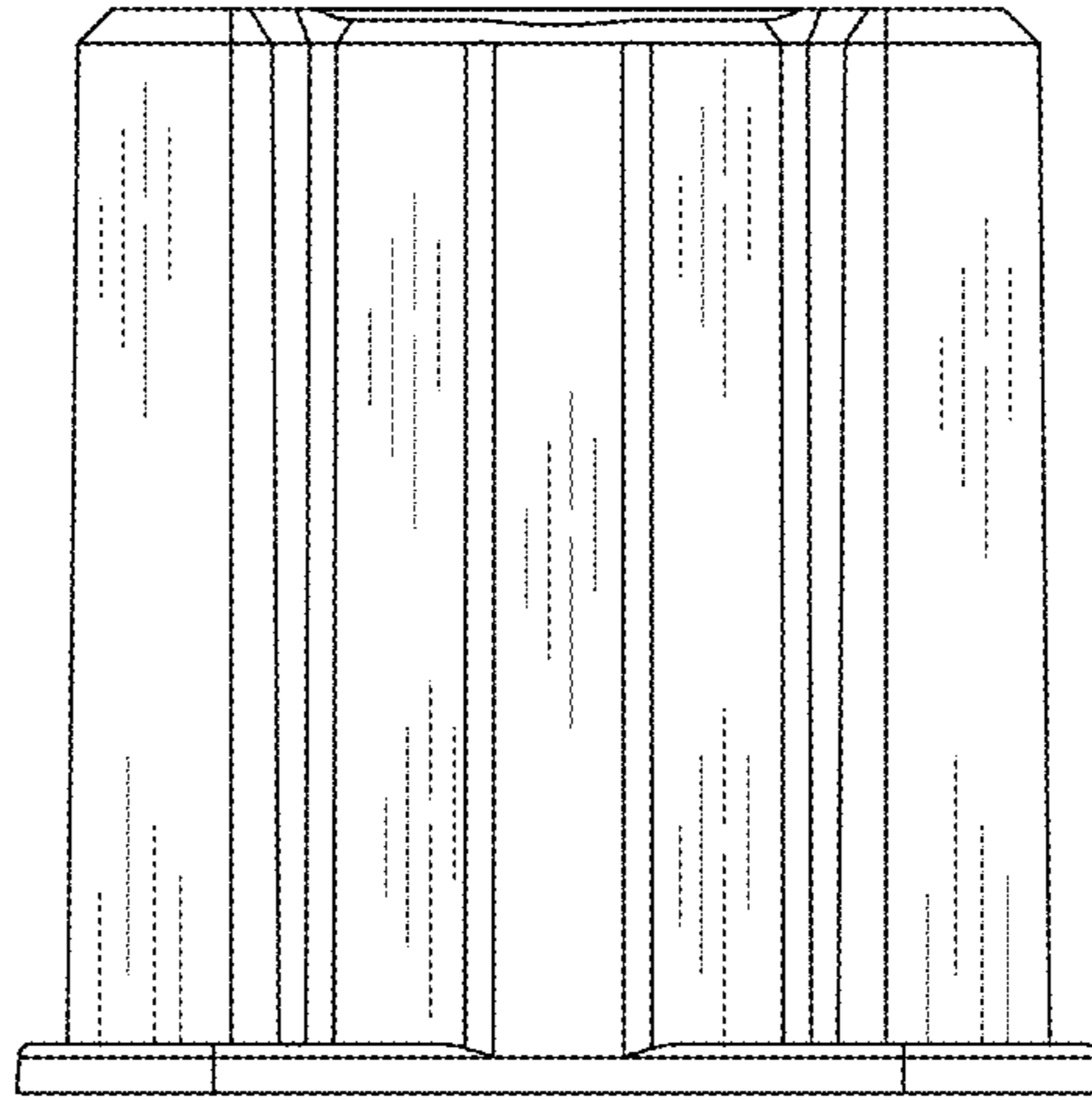


FIG.1

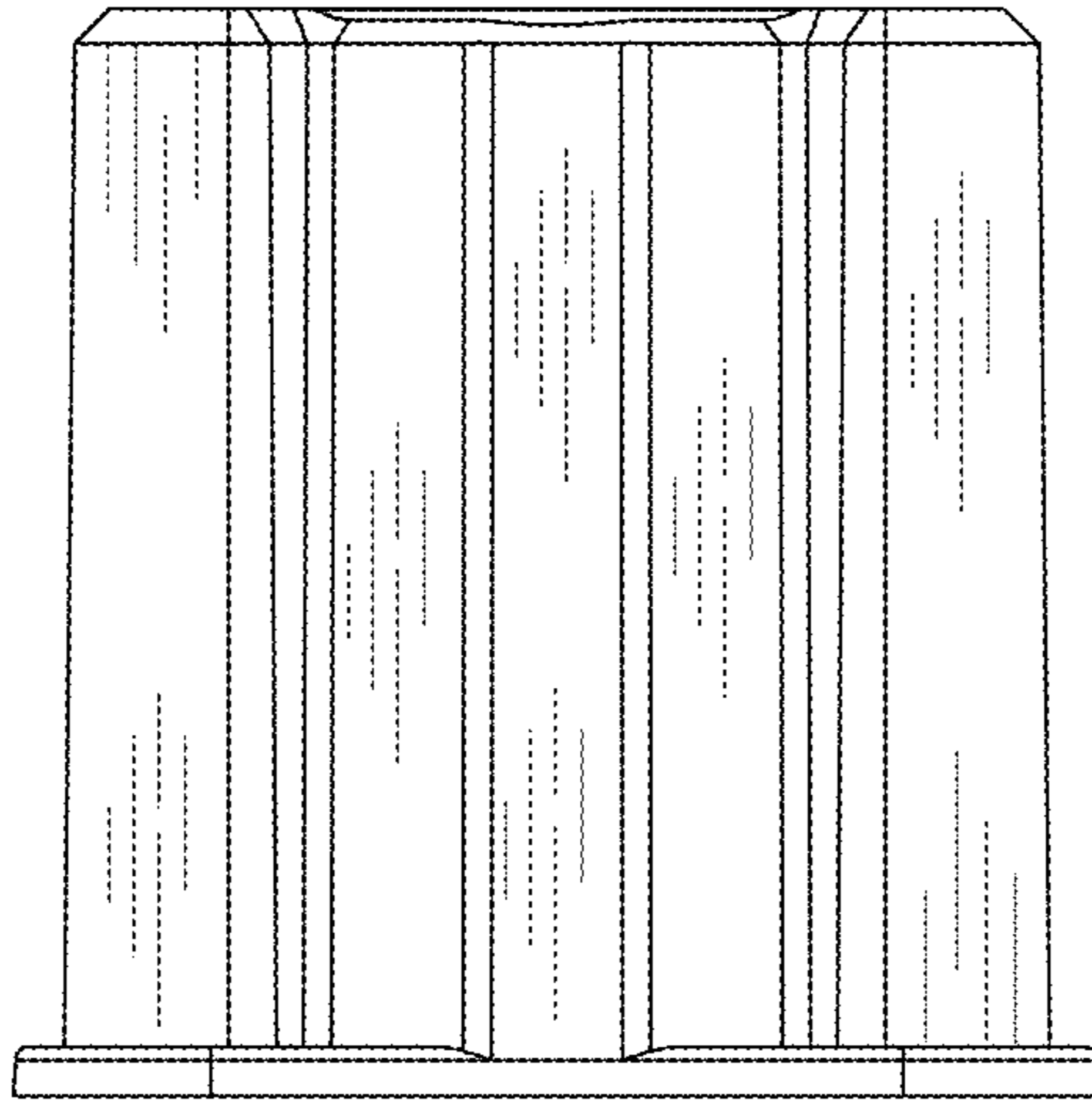


FIG.2

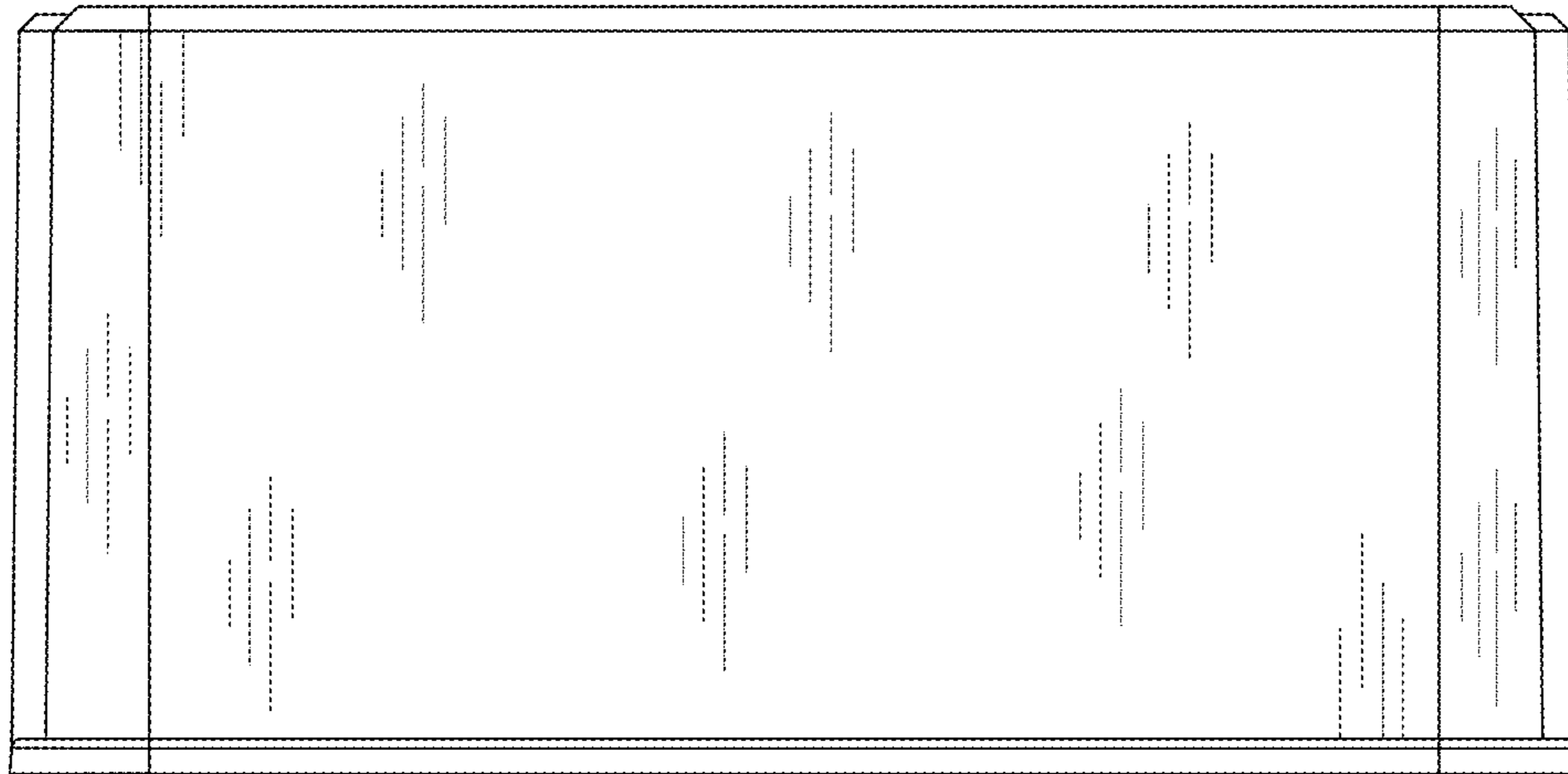


FIG.3

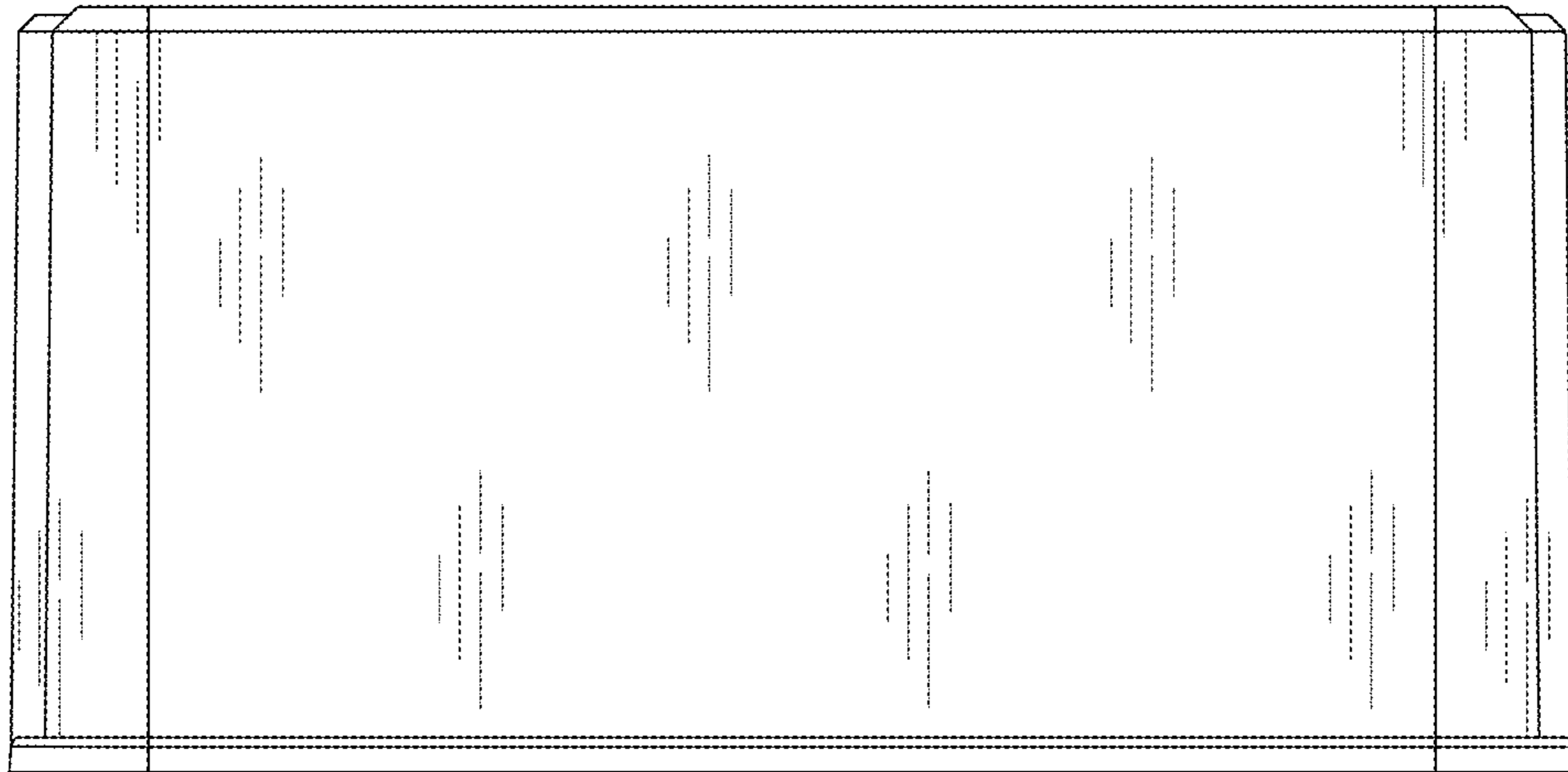


FIG.4

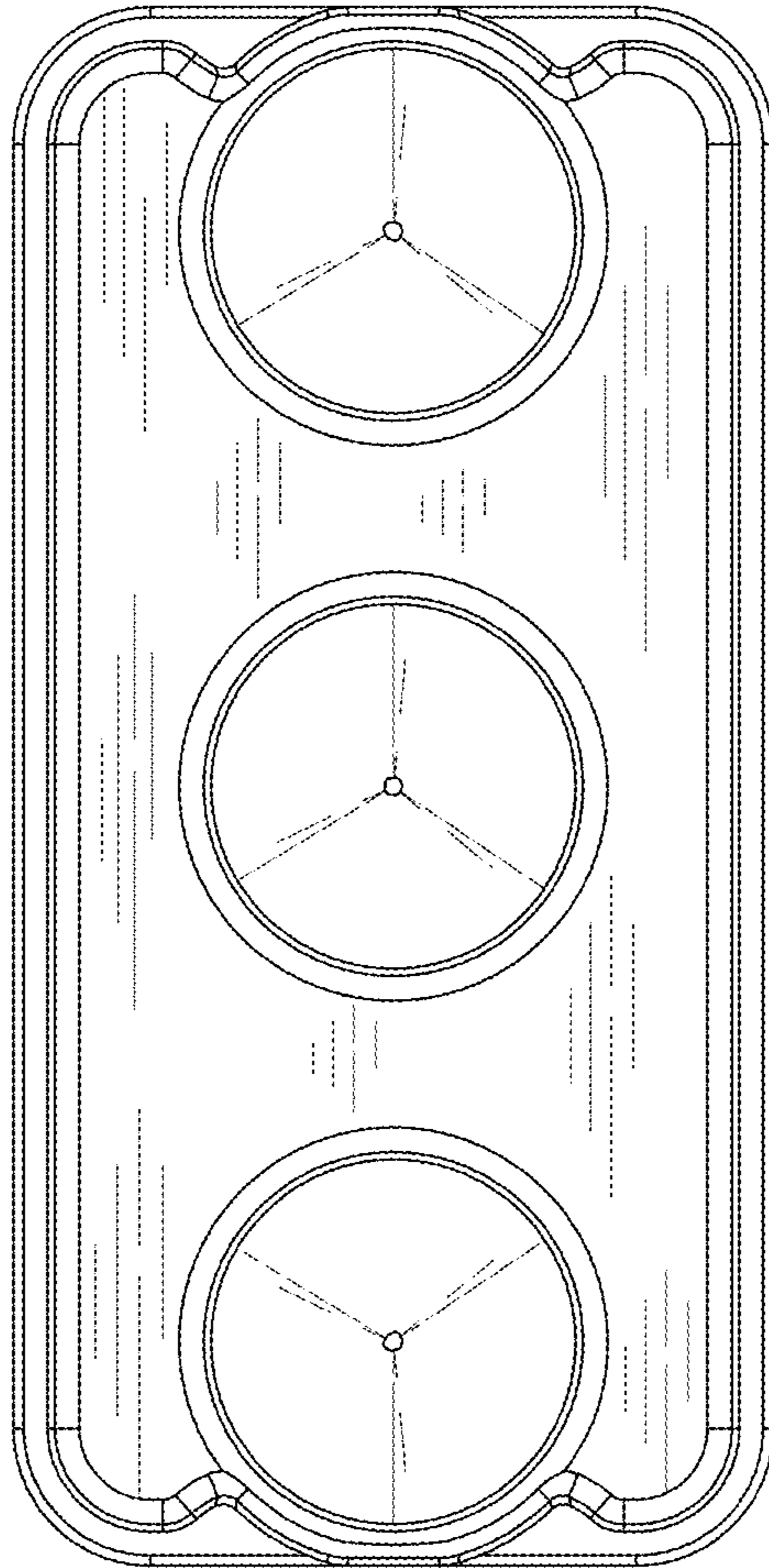


FIG.5

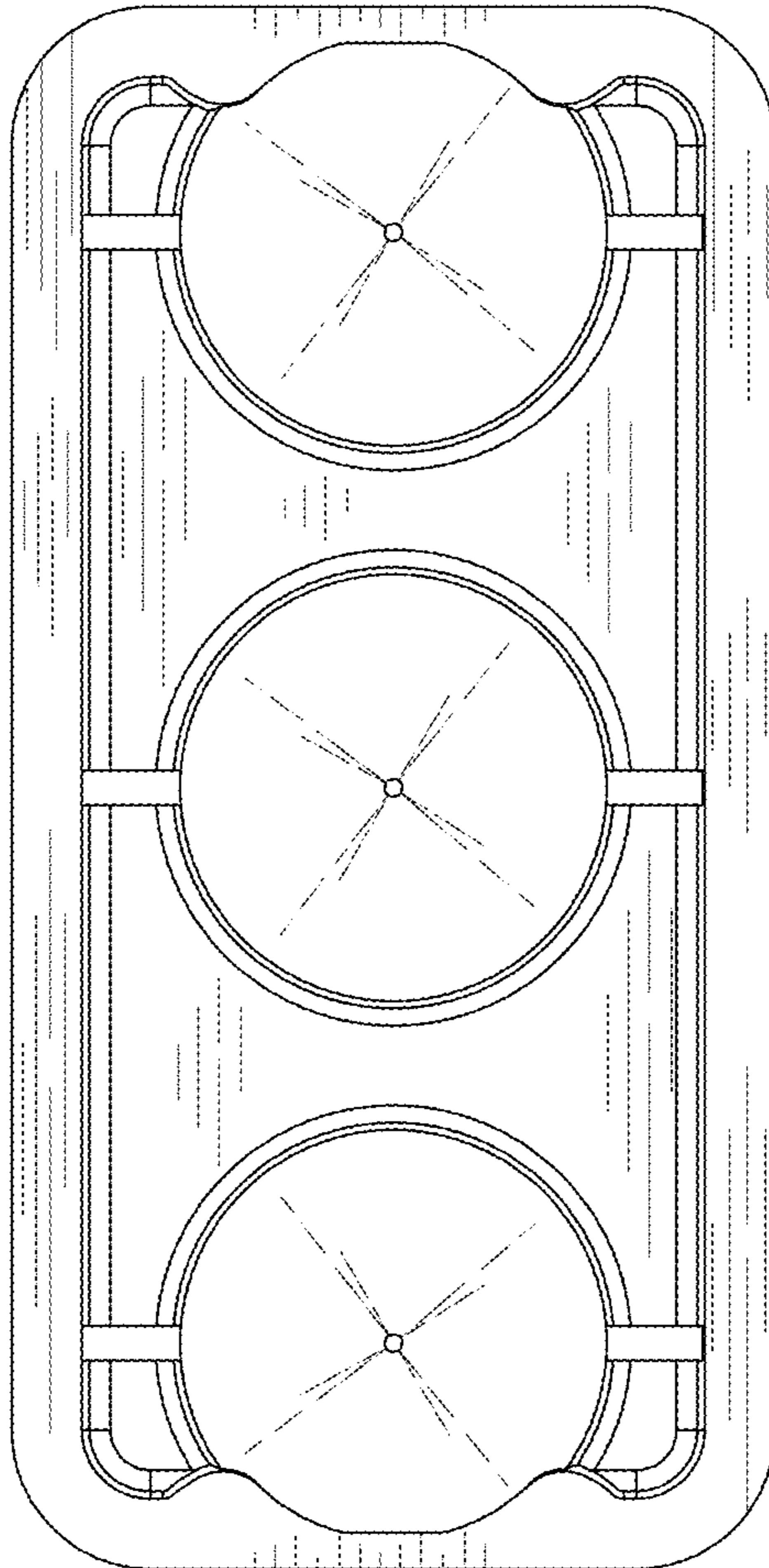


FIG.6

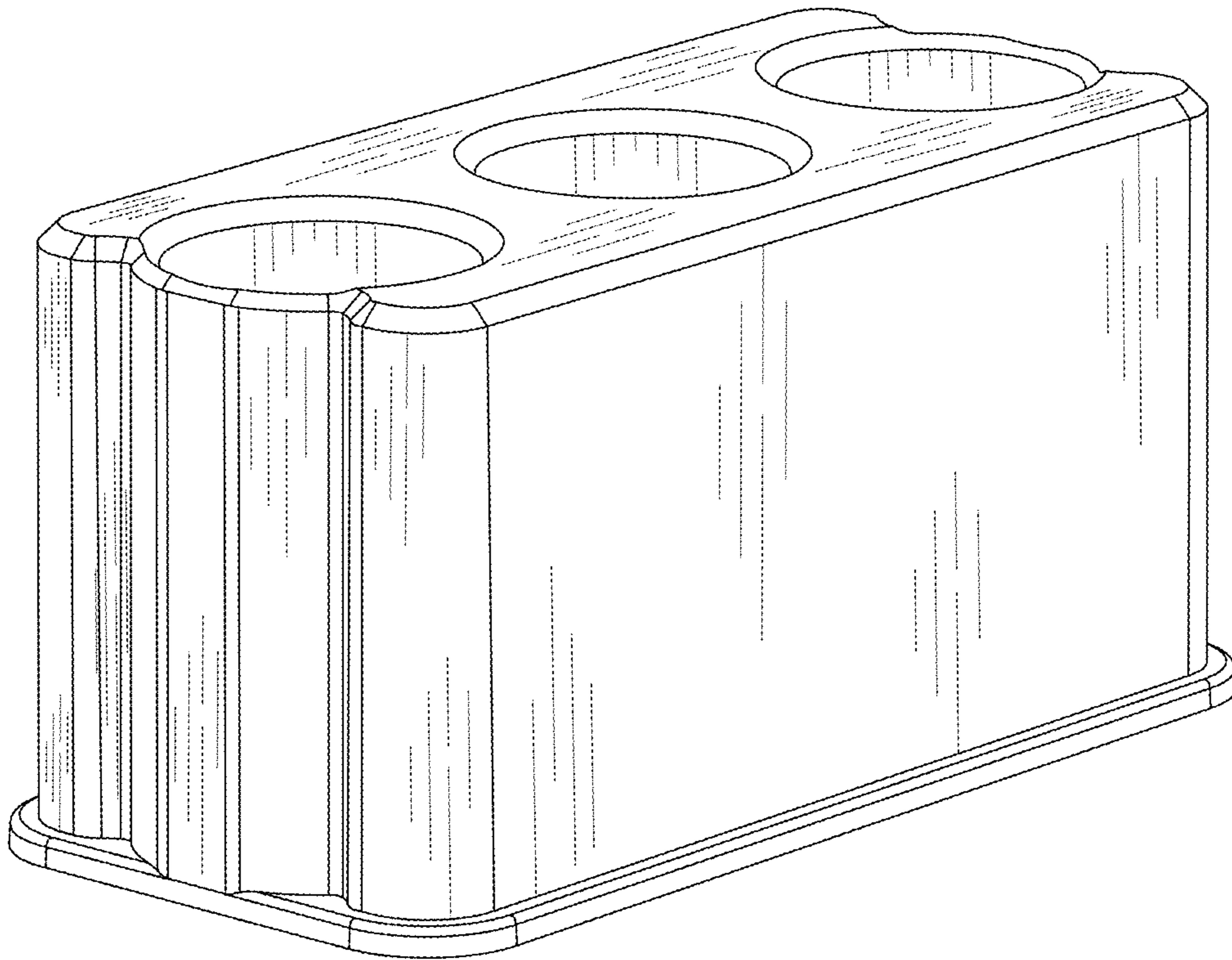


FIG.7

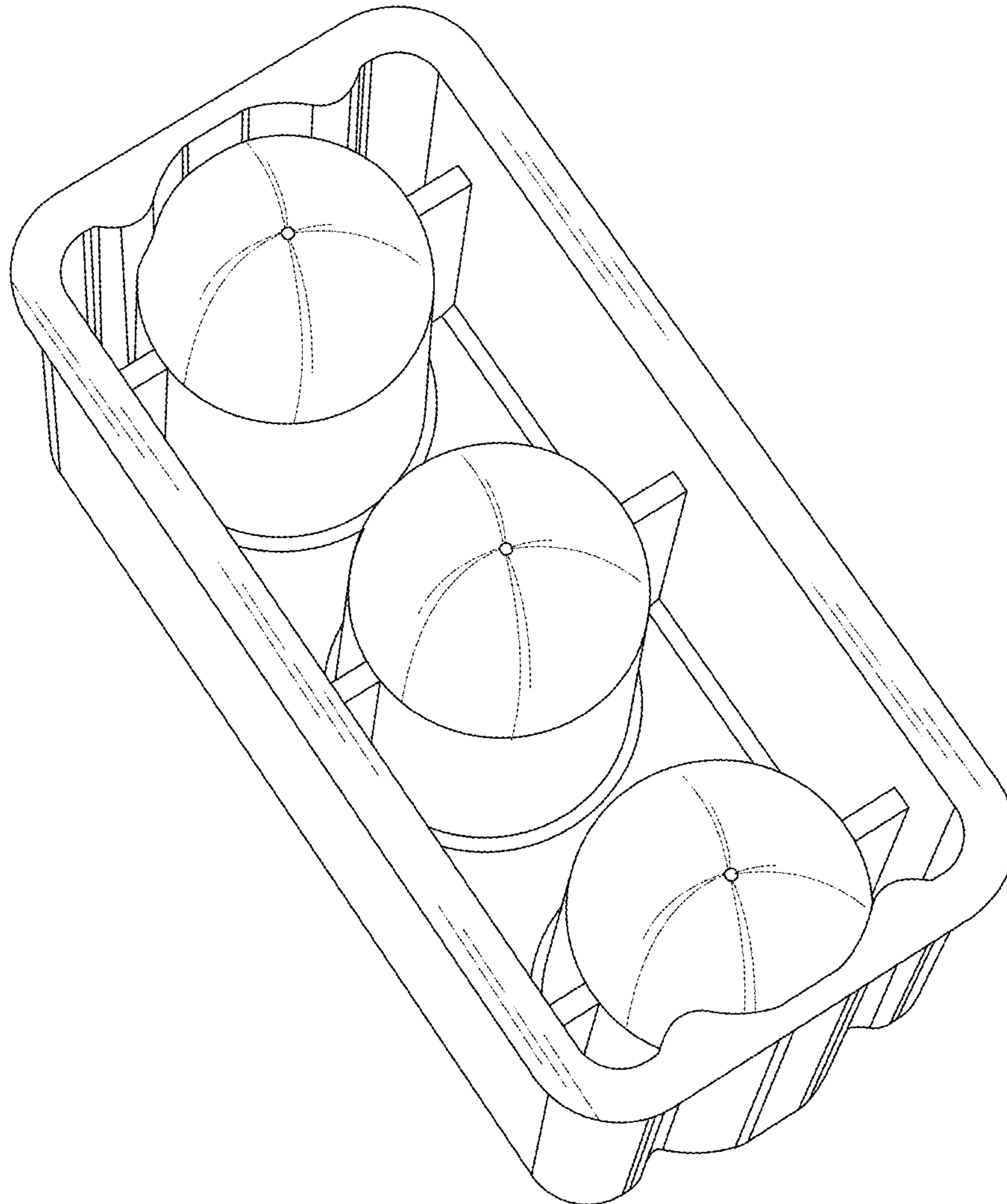


FIG.8