



US00D982177S

(12) **United States Design Patent** (10) **Patent No.:** **US D982,177 S**
Knight et al. (45) **Date of Patent:** **** Mar. 28, 2023**

(54) **VIAL WITH CAP**

(71) Applicant: **GEN-PROBE INCORPORATED**, San Diego, CA (US)

(72) Inventors: **Byron J. Knight**, San Diego, CA (US);
David A. Buse, San Diego, CA (US);
David Opalsky, San Diego, CA (US);
Norbert D. Hagen, Carlsbad, CA (US);
Tyler Moore, Murfreesboro, TN (US);
Anita Prasad, Belmont, CA (US);
Bruce Richardson, Los Gatos, CA (US)

(73) Assignee: **GEN-PROBE INCORPORATED**, San Diego, CA (US)

(**) Term: **15 Years**

(21) Appl. No.: **29/751,801**

(22) Filed: **Sep. 23, 2020**

Related U.S. Application Data

(63) Continuation of application No. 16/016,152, filed on Jun. 22, 2018, now Pat. No. 10,975,416, which is a continuation of application No. 15/675,206, filed on Aug. 11, 2017, now Pat. No. 10,711,297, which is a continuation of application No. 14/213,900, filed on Mar. 14, 2014, now Pat. No. 9,732,374.

(51) **LOC (14) Cl.** **24-02**

(52) **U.S. Cl.**
USPC **D24/224**

(58) **Field of Classification Search**
USPC D24/107, 108, 112, 119, 121, 122, 123,
D24/127, 129, 186, 216, 223-225, 231,
D24/232; D3/203.1, 229, 230; D9/420,
D9/503, 516, 519-521, 542, 558
CPC B01L 3/5021; B01L 3/50825; B01L
3/50851; B65D 51/002; B65D 47/02;
B25B 27/0028

See application file for complete search history.

(56) **References Cited**

U.S. PATENT DOCUMENTS

132,208 A * 10/1872 Hobbs B01L 3/50825
422/547
3,521,785 A * 7/1970 Dieter B01L 9/06
220/23.4
D308,724 S * 6/1990 Ennis, III D24/112
D445,895 S * 7/2001 Svendsen D24/112
D447,798 S * 9/2001 Rudzena D24/121
D485,616 S * 1/2004 Baillargeon D24/129
D505,202 S * 5/2005 Chesnin D24/129
D583,481 S * 12/2008 Yamamoto D24/224
D709,624 S * 7/2014 Baum D24/224

(Continued)

FOREIGN PATENT DOCUMENTS

CN 202130037188.8 * 7/2021
CN 202030731498.5 * 8/2021

Primary Examiner — Omeed Agilee

(74) *Attorney, Agent, or Firm* — Sterne, Kessler,
Goldstein & Fox P.L.L.C.; Charles B. Cappellari

(57) **CLAIM**

The ornamental design for a vial with cap, as shown and described.

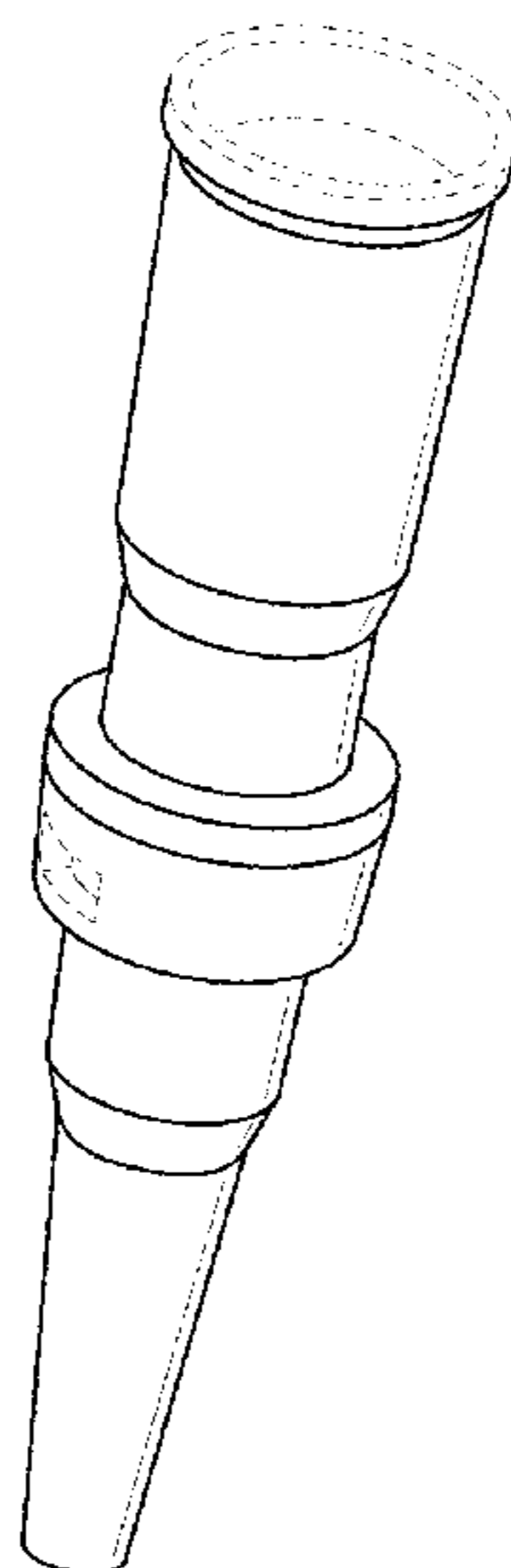
DESCRIPTION

FIG. 1 is a top perspective view of a vial with cap showing the claimed design; and,

FIG. 2 is a top perspective exploded view of the vial with cap of FIG. 1 shown in an environment in which it may be used.

The top element in FIG. 2 shown in broken lines depicts environmental subject matter and forms no part of the claimed design. The rest of the broken lines in the drawings depict portions of the vial with cap that form no part of the claimed design.

1 Claim, 2 Drawing Sheets



(56)

References Cited

U.S. PATENT DOCUMENTS

D749,722 S * 2/2016 Chauvette D24/129
D762,873 S * 8/2016 Baum D24/224
D766,427 S * 9/2016 Kurov D24/121
D849,937 S * 5/2019 Whitaker D24/129
D902,429 S * 11/2020 Ganeshan D24/224
D930,184 S * 9/2021 Johnson D24/224
D931,494 S * 9/2021 Elmoznino D24/224
D936,825 S * 11/2021 VanPelt D24/129
D942,035 S * 1/2022 Suarez del Real Pena . D24/216
D946,169 S * 3/2022 Zergiebel D24/232
2008/0287585 A1* 11/2008 Brown B01L 3/50851
422/240
2009/0221060 A1* 9/2009 Yamamoto B01L 7/52
435/287.2
2014/0193857 A1* 7/2014 Gray B01L 3/5025
435/91.2
2016/0299056 A1* 10/2016 Hagen G01N 35/00871
2020/0070149 A1* 3/2020 Lin B67B 3/2066

* cited by examiner

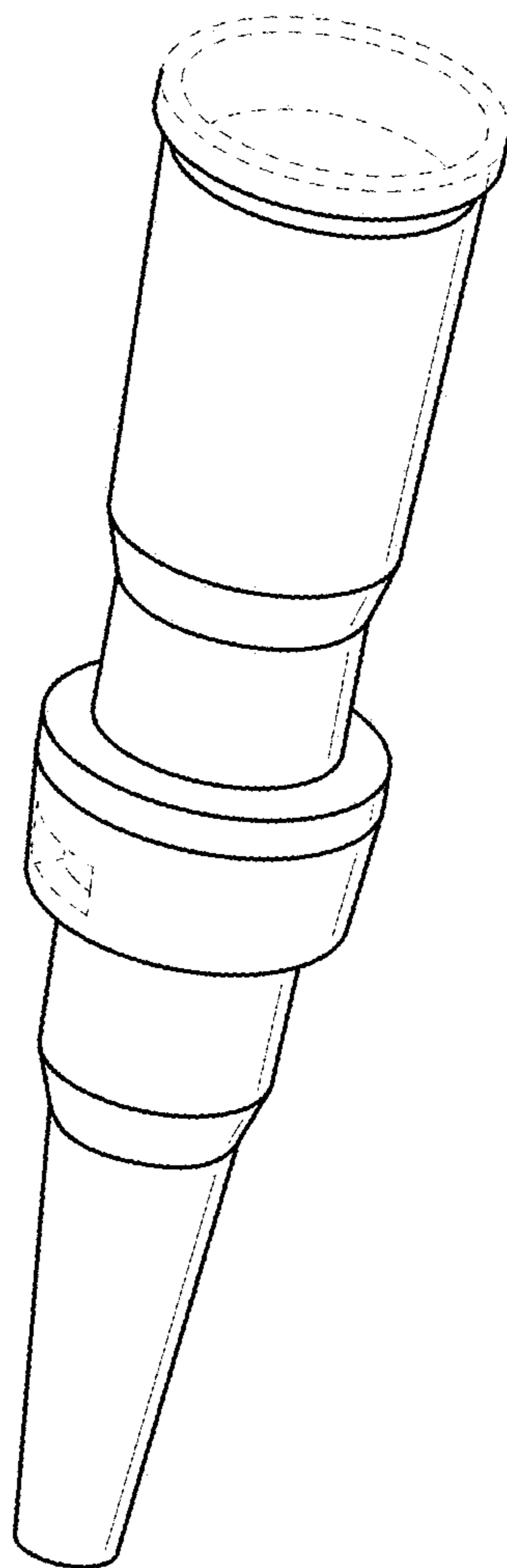


FIG. 1

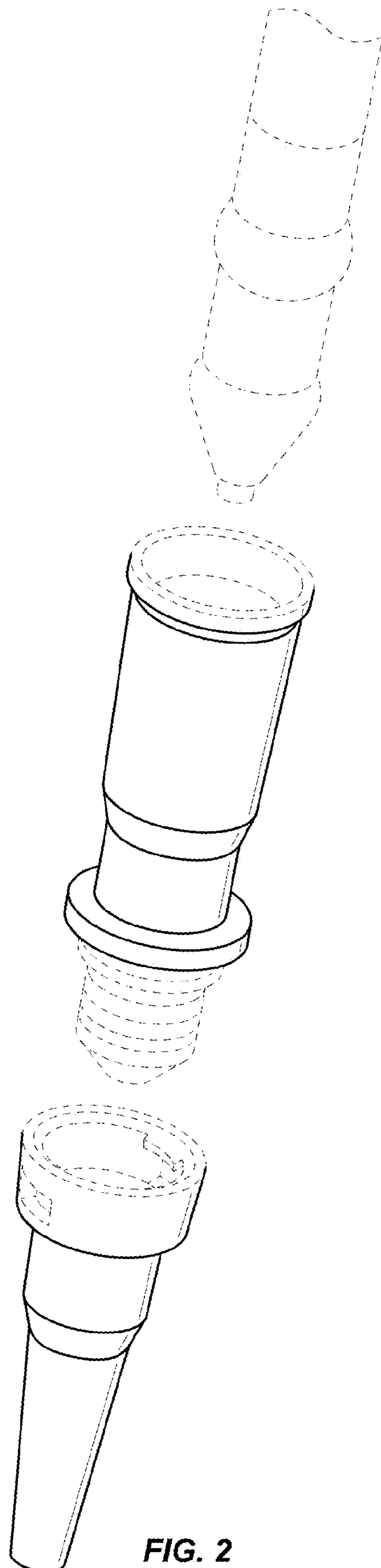


FIG. 2