



US00D982175S

(12) **United States Design Patent**
Hatanaka et al.

(10) **Patent No.:** **US D982,175 S**
(45) **Date of Patent:** **** Mar. 28, 2023**

(54) **FLOATING MATERIAL CAPTURE DEVICE**

(71) Applicant: **NISSAN CHEMICAL CORPORATION**, Tokyo (JP)

(72) Inventors: **Daisuke Hatanaka**, Chiba (JP);
Keiichiro Otsuka, Saitama (JP)

(73) Assignee: **NISSAN CHEMICAL CORPORATION**, Tokyo (JP)

(**) Term: **15 Years**

(21) Appl. No.: **29/806,364**

(22) Filed: **Sep. 2, 2021**

(30) **Foreign Application Priority Data**

Mar. 5, 2021 (JP) 2021-004601 D

(51) **LOC (14) Cl.** **24-01**

(52) **U.S. Cl.**
USPC **D24/216; D24/224**

(58) **Field of Classification Search**
USPC D24/107, 121, 129, 130, 186, 216, 217,
D24/223-227, 231, 232, 169; D10/81;
D9/703, 707, 711
CPC C12M 23/14; C12M 23/26; C12M 23/28;
C12M 21/01; B01L 3/505; B01L 3/5055
See application file for complete search history.

(56) **References Cited**

U.S. PATENT DOCUMENTS

- D337,382 S * 7/1993 Wallace D24/117
- D400,246 S * 10/1998 Niedoşpial, Jr. D24/118
- D400,250 S * 10/1998 Ropiak D24/118
- D400,252 S * 10/1998 Ropiak D24/118
- D408,533 S * 4/1999 Niedoşpial, Jr. D24/118
- D612,936 S * 3/2010 Cremonese D24/118
- D653,333 S * 1/2012 Ecabert D24/118

- D705,443 S * 5/2014 Ichimura D24/224
- D726,309 S * 4/2015 Wood D24/121
- D734,166 S * 7/2015 Olson D9/707
- 10,487,308 B2 11/2019 Hayashi et al.
- D908,869 S * 1/2021 Kumar D24/118
- 10,996,216 B2 5/2021 Arai
- 2018/0127696 A1* 5/2018 Takeuchi C12M 23/50
- 2021/0317394 A1* 10/2021 Iwakami C12M 23/14

FOREIGN PATENT DOCUMENTS

- EP 3 848 451 A1 7/2021
- JP 2004-147555 A 5/2004
- JP 2005-336080 A 12/2005

(Continued)

Primary Examiner — Anhdao Doan

(74) *Attorney, Agent, or Firm* — Leydig, Voit & Mayer, Ltd.

(57) **CLAIM**

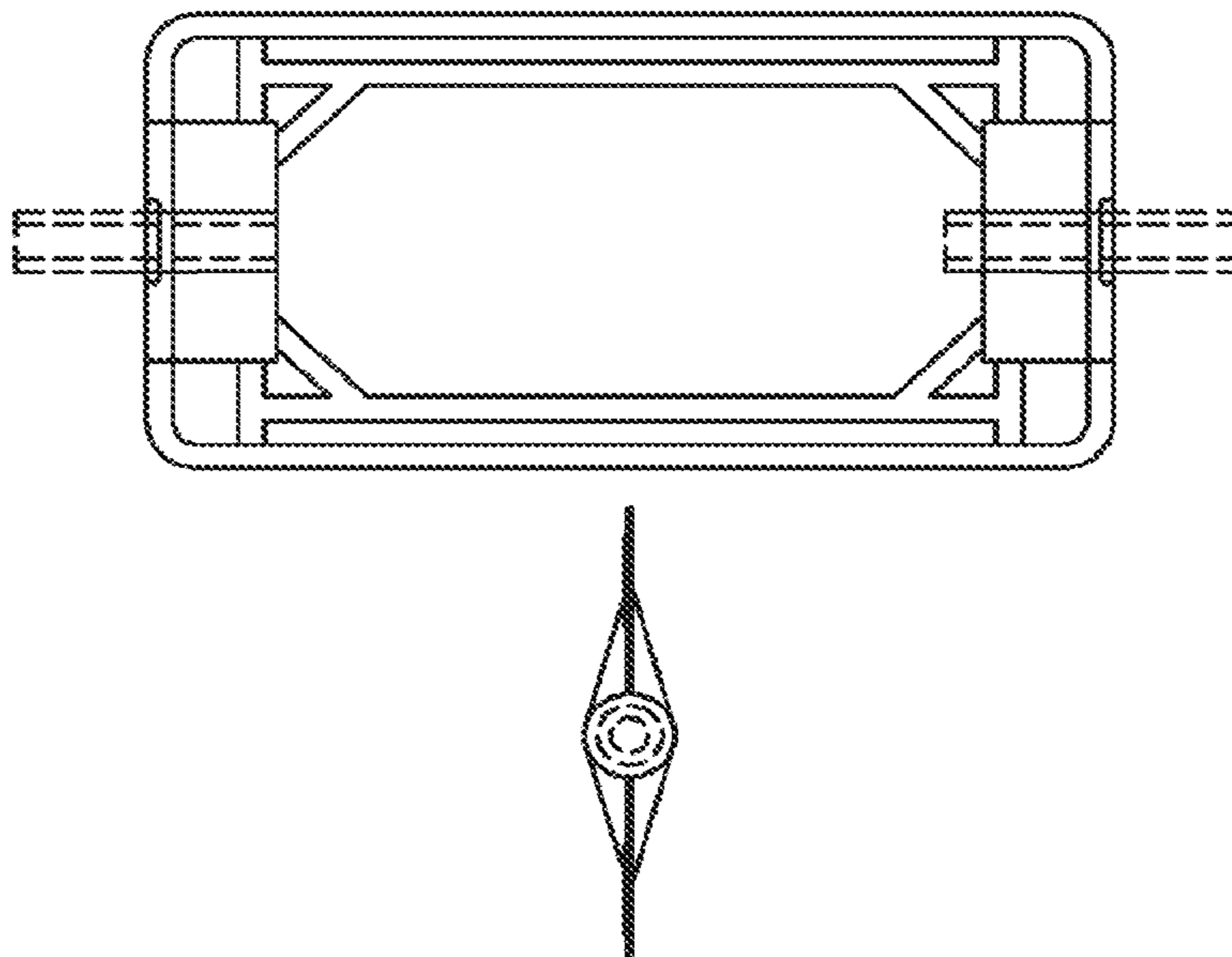
The ornamental design for a floating material capture device, as shown and described.

DESCRIPTION

FIG. 1 is a front view of a floating material capture device showing our new design;
 FIG. 2 is a rear view thereof;
 FIG. 3 is a right side view thereof;
 FIG. 4 is a left side view thereof;
 FIG. 5 is a plan view thereof;
 FIG. 6 is a bottom view thereof;
 FIG. 7 is an end view taken along line 7-7 of FIG. 1;
 FIG. 8 is an end view taken along line 8-8 of FIG. 1;
 FIG. 9 is a sectional view taken along line 9-9 of FIG. 1; and,
 FIG. 10 is a sectional view taken along line 10-10 of FIG. 1.

The broken line showing is included for the purpose of illustrating portions of the floating material capture device and forms no part of the claimed design.

1 Claim, 10 Drawing Sheets



(56)

References Cited

FOREIGN PATENT DOCUMENTS

JP	2020-072708	A	5/2020
JP	1681965	S	3/2021
JP	D2020-21955	*	8/2021
WO	2015/111686	A1	7/2015
WO	2020/054755	A1	3/2020

* cited by examiner

FIG. 1

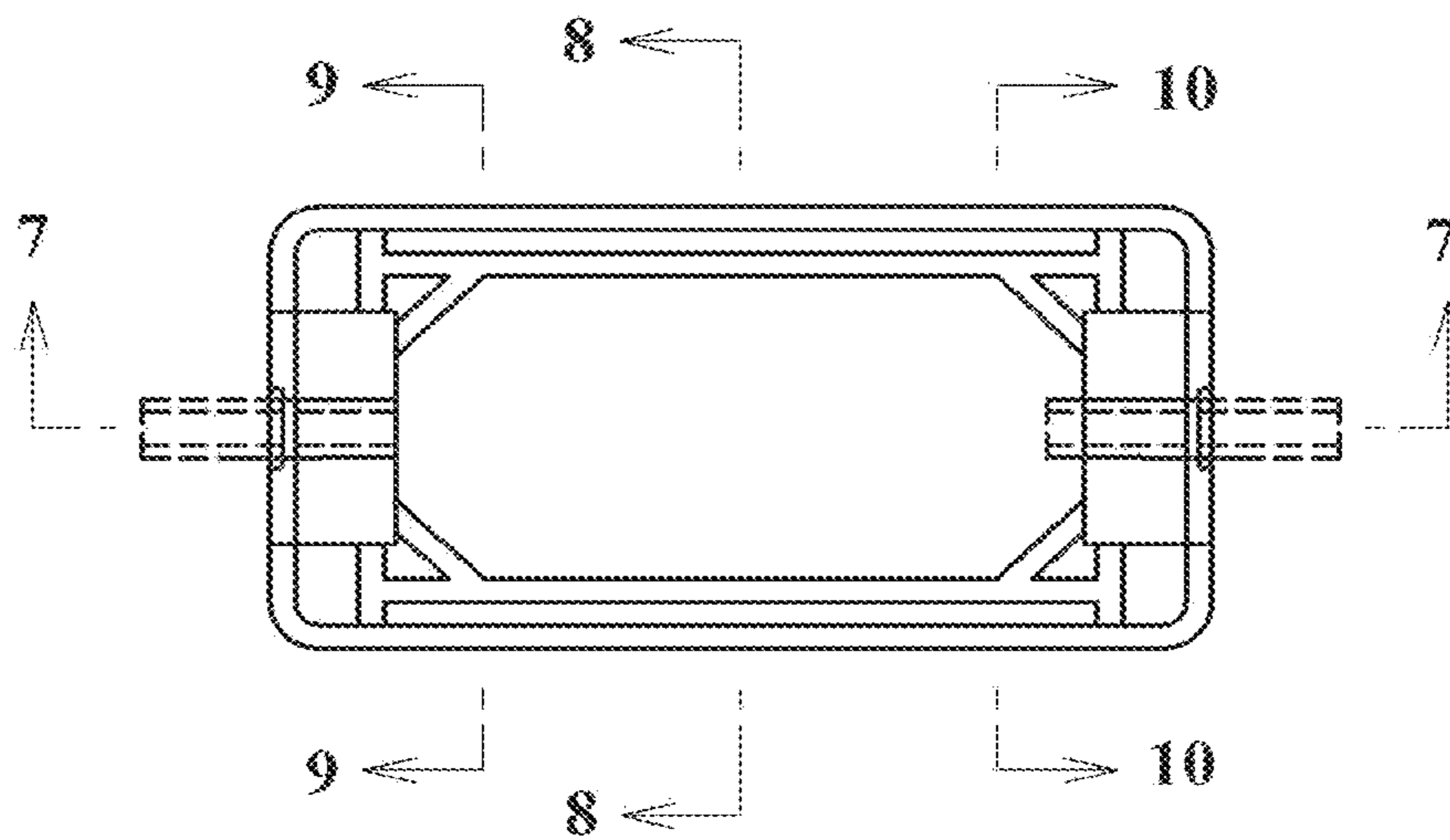


FIG. 2



FIG. 3



FIG. 4



FIG. 5

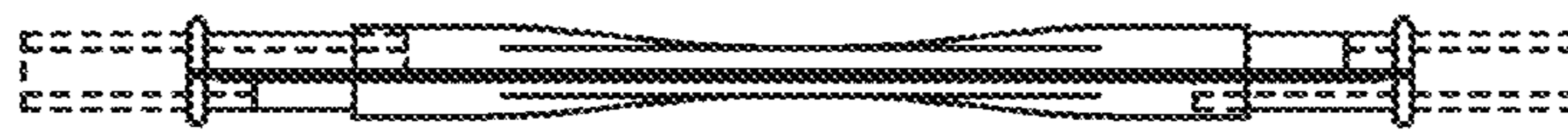


FIG. 6

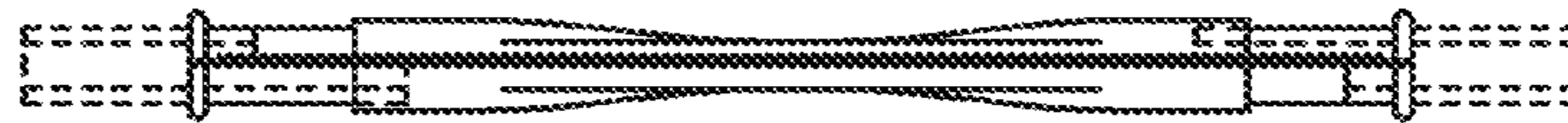


FIG. 7

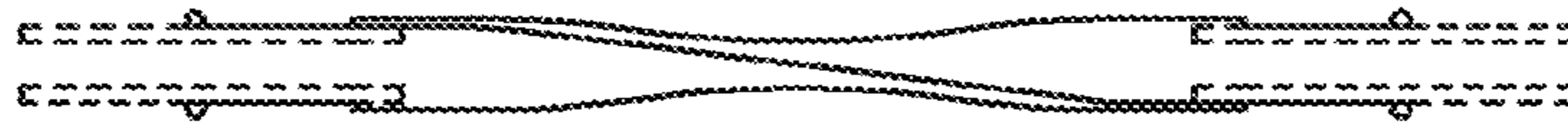


FIG. 8



FIG. 9



FIG. 10

