



US00D982174S

(12) **United States Design Patent**
Fischl et al.

(10) **Patent No.:** **US D982,174 S**
(45) **Date of Patent:** **** Mar. 28, 2023**

- (54) **DIRECT SAMPLE COLLECTION PAD**
- (71) Applicant: **ORASURE TECHNOLOGIES, INC.**,
Bethlehem, PA (US)
- (72) Inventors: **Mark Fischl**, Bethlehem, PA (US);
Mark Emrick, Bethlehem, PA (US);
Keith Kardos, Bethlehem, PA (US)
- (73) Assignee: **ORASURE TECHNOLOGIES, INC.**,
Bethlehem, PA (US)
- (**) Term: **15 Years**

- (21) Appl. No.: **29/780,671**
- (22) Filed: **Apr. 26, 2021**
- (51) **LOC (14) Cl.** **24-01**
- (52) **U.S. Cl.**
USPC **D24/216**
- (58) **Field of Classification Search**
USPC D24/107, 186, 216, 232, 233, 234, 121,
D24/122, 223, 224, 225, 227, 231, 119,
D24/133; D10/81
CPC B01L 3/5023; B01L 3/523; B01L 3/565;
B01L 2300/0809; B01L 3/50229; A61B
10/0038; A61B 10/0216; G01N 2001/028
See application file for complete search history.

(56) **References Cited**

U.S. PATENT DOCUMENTS

D379,663 S *	6/1997	Pearson	D24/223
D383,550 S *	9/1997	Larson	D24/216
D483,496 S *	12/2003	Kjendlie	D24/216
D626,249 S *	10/2010	Wang	D24/223
D634,023 S *	3/2011	Wei	D24/223
D667,562 S *	9/2012	Nguyen	D24/224
D673,265 S *	12/2012	Nonnemacher	D24/119
D678,545 S *	3/2013	Caillouette	D24/223
D713,973 S *	9/2014	Herzog	D24/223
D764,052 S *	8/2016	Kossow	D24/122

2009/0209044 A1* 8/2009 Gallagher B01L 3/502
422/400
2010/0239458 A1* 9/2010 Mink B01L 3/5023
435/5
2014/0316302 A1* 10/2014 Nonnemacher A61B 10/0051
600/582

(Continued)

Primary Examiner — Anhdao Doan

(74) *Attorney, Agent, or Firm* — Raphael Bellum PLLC

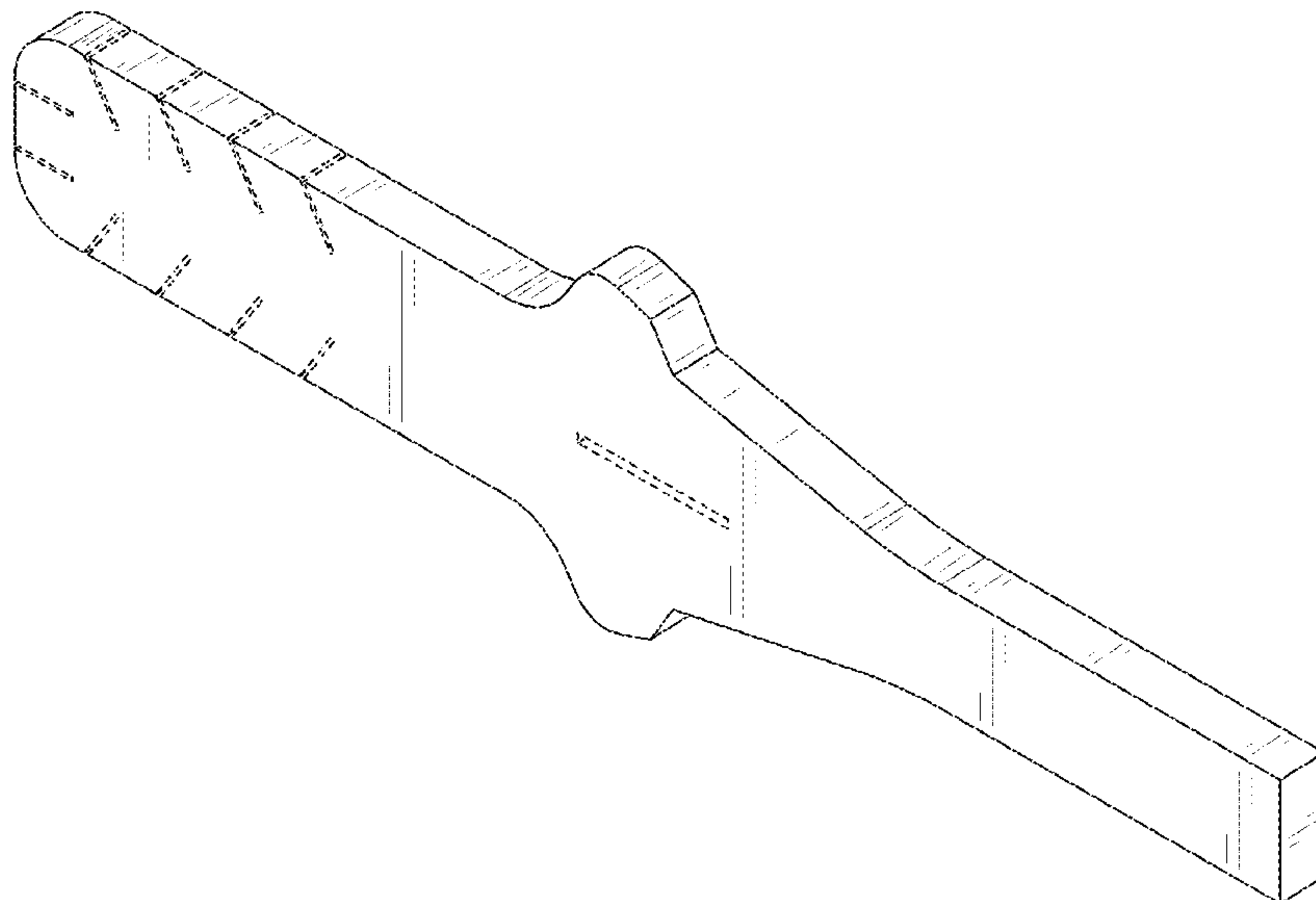
(57) **CLAIM**

The ornamental design for a direct sample collection pad, as shown and described herein.

DESCRIPTION

FIG. 1 is a top view of an embodiment of a direct sample collection pad in accordance with our new design.
 FIG. 2 is a top right perspective view of the direct sample collection pad of FIG. 1.
 FIG. 3 is a bottom view of the direct sample collection pad of FIG. 1.
 FIG. 4 is a left view of the direct sample collection pad of FIG. 1.
 FIG. 5 is a left perspective view of the direct sample collection pad of FIG. 1.
 FIG. 6 is a right view of the direct sample collection pad of FIG. 1.
 FIG. 7 is a right perspective view of the direct sample collection pad of FIG. 1.
 FIG. 8 is a top front perspective view of the direct sample collection pad of FIG. 1.
 FIG. 9 is a front view of the direct sample collection pad of FIG. 1.
 FIG. 10 is a top rear view of the direct sample collection pad of FIG. 1; and,
 FIG. 11 is a back view of the direct sample collection pad of FIG. 1.
 The broken lines depict portions of the direct sample collection pad form no part of the claimed design.

1 Claim, 11 Drawing Sheets



(56)

References Cited

U.S. PATENT DOCUMENTS

2017/0234778 A1* 8/2017 Sangha B01L 3/5029
435/6.11

* cited by examiner

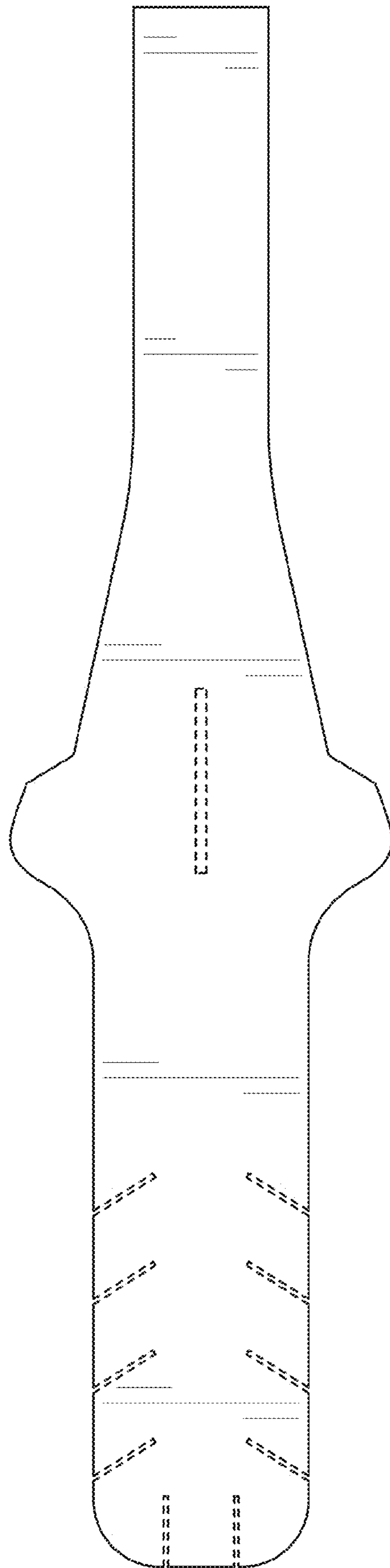


FIG. 1

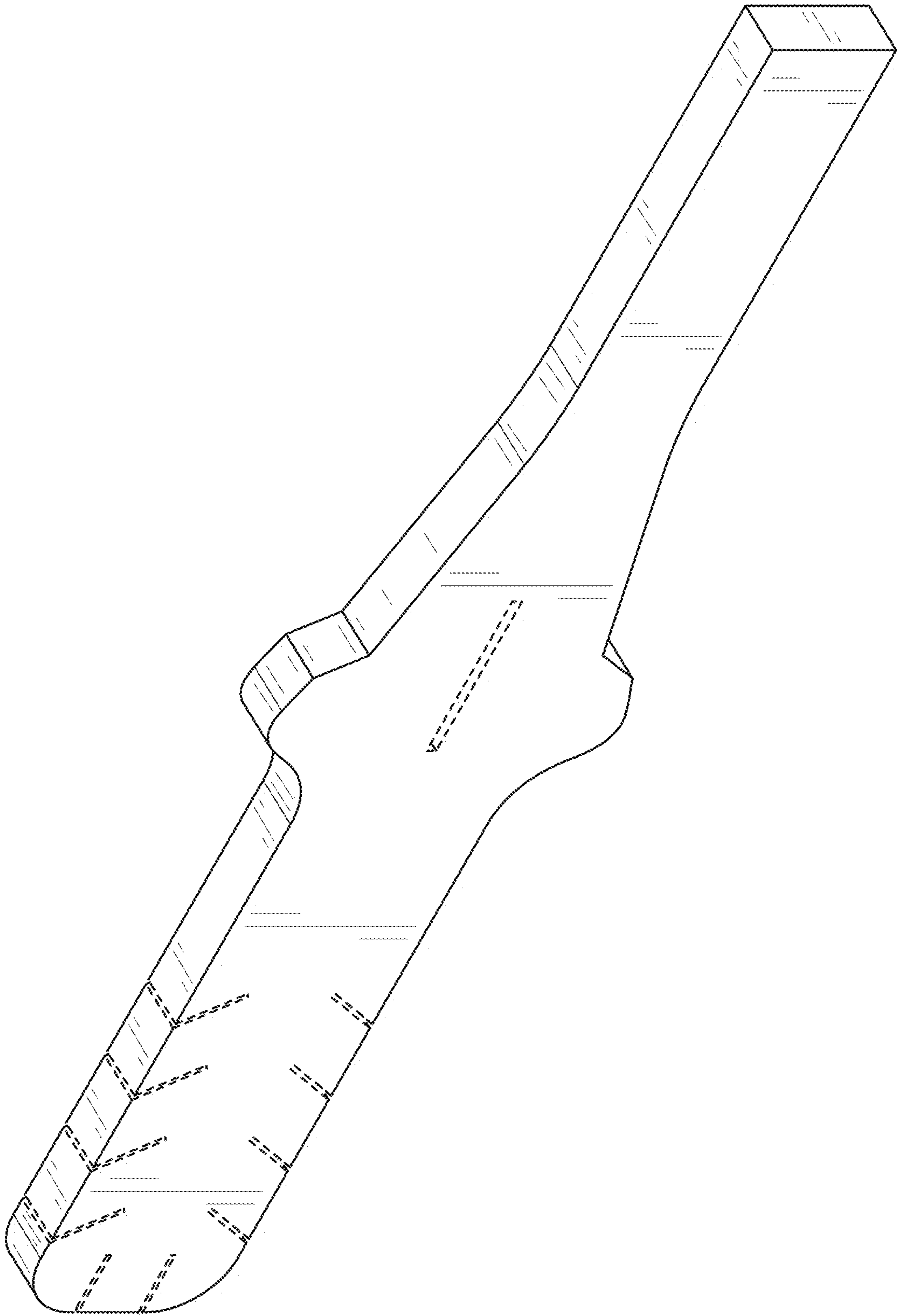


FIG. 2

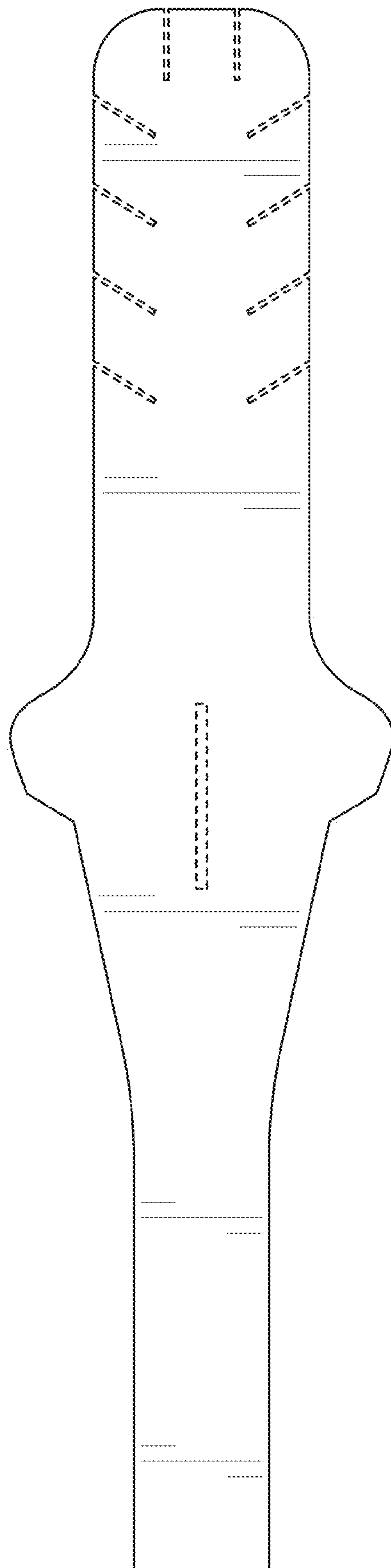


FIG. 3



FIG. 4

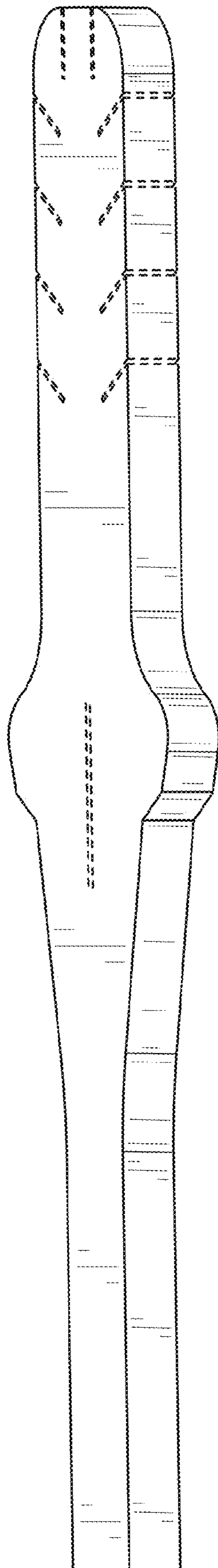


FIG. 5



FIG. 6

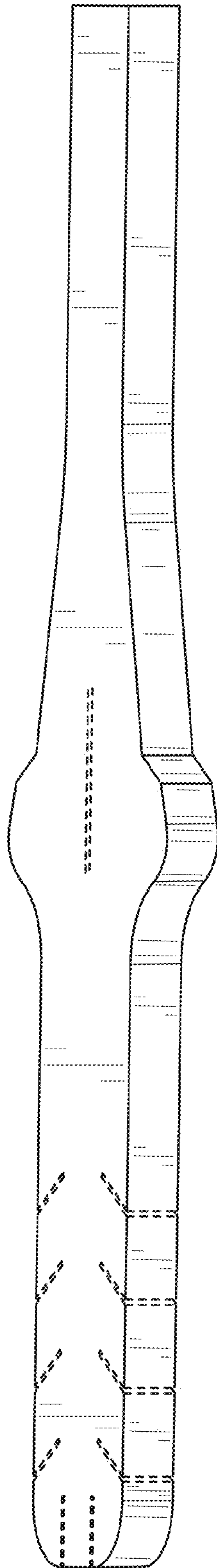


FIG. 7

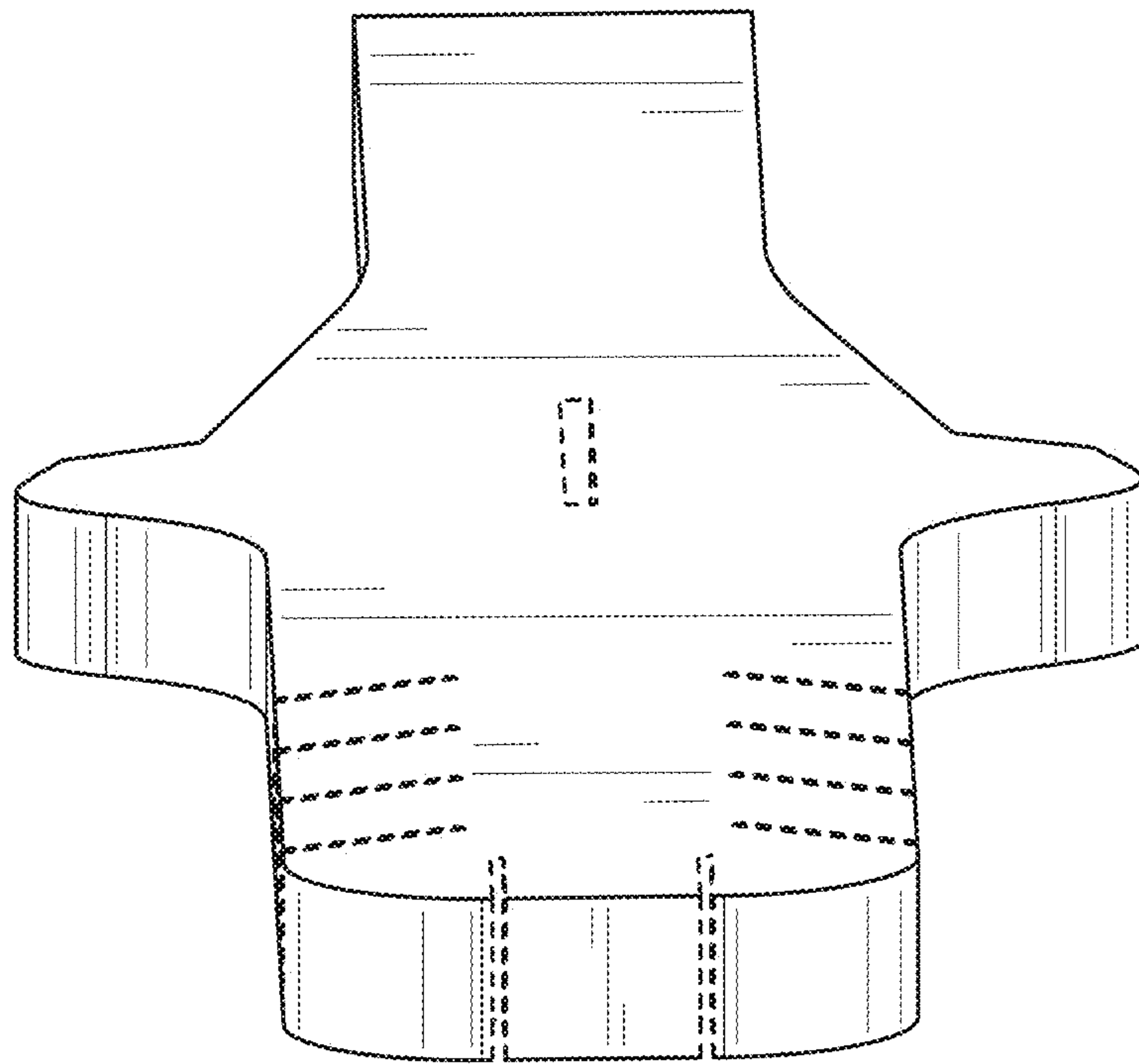


FIG. 8



FIG. 9

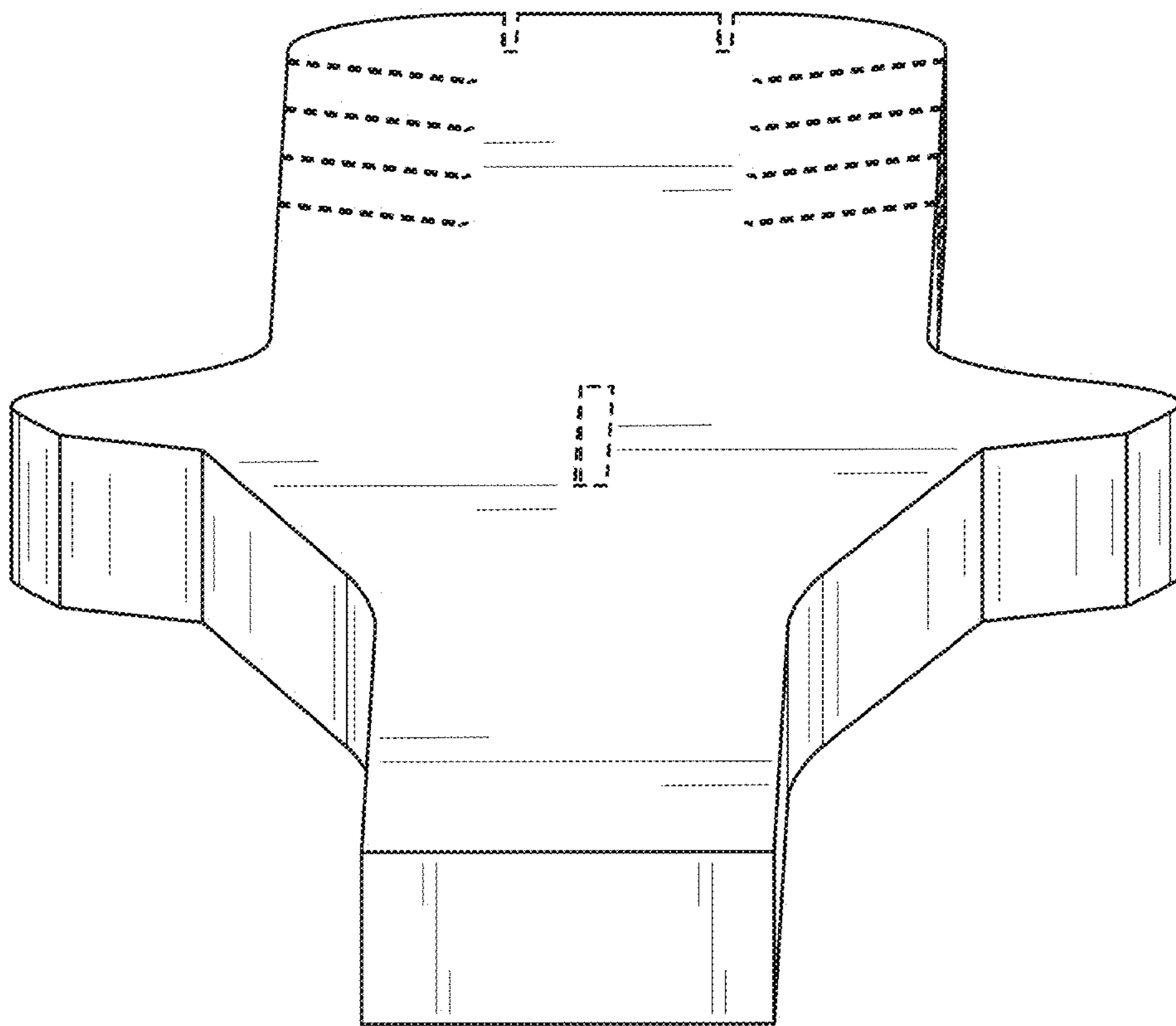


FIG. 10

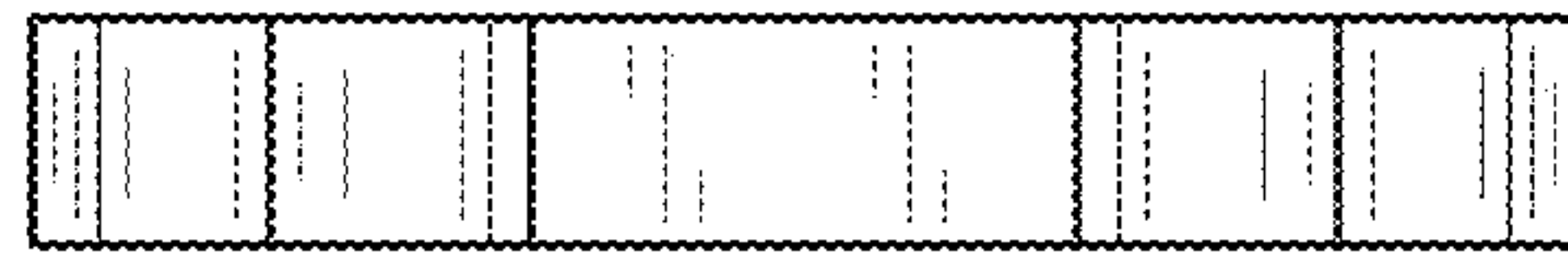


FIG. 11