



US00D982172S

(12) **United States Design Patent**  
**Li**

(10) **Patent No.:** **US D982,172 S**

(45) **Date of Patent:** **\*\* Mar. 28, 2023**

- (54) **BUTT LIFT**
- (71) Applicant: **Hongji Li**, Shenzhen (CN)
- (72) Inventor: **Hongji Li**, Shenzhen (CN)
- (73) Assignee: **Hongji Li**, Shenzhen (CN)
- (\*\*) Term: **15 Years**
- (21) Appl. No.: **29/847,843**
- (22) Filed: **Jul. 28, 2022**
- (51) **LOC (14) Cl.** ..... **28-03**
- (52) **U.S. Cl.**  
USPC ..... **D24/215; D24/214**
- (58) **Field of Classification Search**  
USPC ..... D24/119, 133, 141, 200, 211–215;  
D30/160; D28/13–18  
CPC ..... A61H 7/001; A61H 7/007; A61H 19/32;  
A61H 2205/087; A61H 19/50; A61H  
7/003; A61H 15/00  
See application file for complete search history.

- D693,921 S \* 11/2013 Burton ..... D24/112
- D715,955 S \* 10/2014 Hsu ..... A61H 19/00  
D24/215
- D742,025 S \* 10/2015 Callow ..... D24/214
- D864,408 S \* 10/2019 Xue ..... D24/215
- D901,705 S 11/2020 Du
- D910,191 S \* 2/2021 Cetta ..... D24/200
- D916,306 S \* 4/2021 Du ..... D24/214
- D949,380 S \* 4/2022 Khubani ..... D24/215

**FOREIGN PATENT DOCUMENTS**

KR 3020190043485 \* 8/2020

\* cited by examiner

*Primary Examiner* — Omeed Agilee

(74) *Attorney, Agent, or Firm* — Nitin Kaushik

(57) **CLAIM**

The ornamental design for a butt lift, as shown and described.

**DESCRIPTION**

FIG. 1 is a top perspective view of a butt lift, showing my new design;

FIG. 2 is a bottom perspective view thereof;

FIG. 3 is a front view thereof;

FIG. 4 is a rear view thereof;

FIG. 5 is a right side view thereof;

FIG. 6 is a left side view thereof;

FIG. 7 is a top view thereof; and,

FIG. 8 is a bottom view thereof.

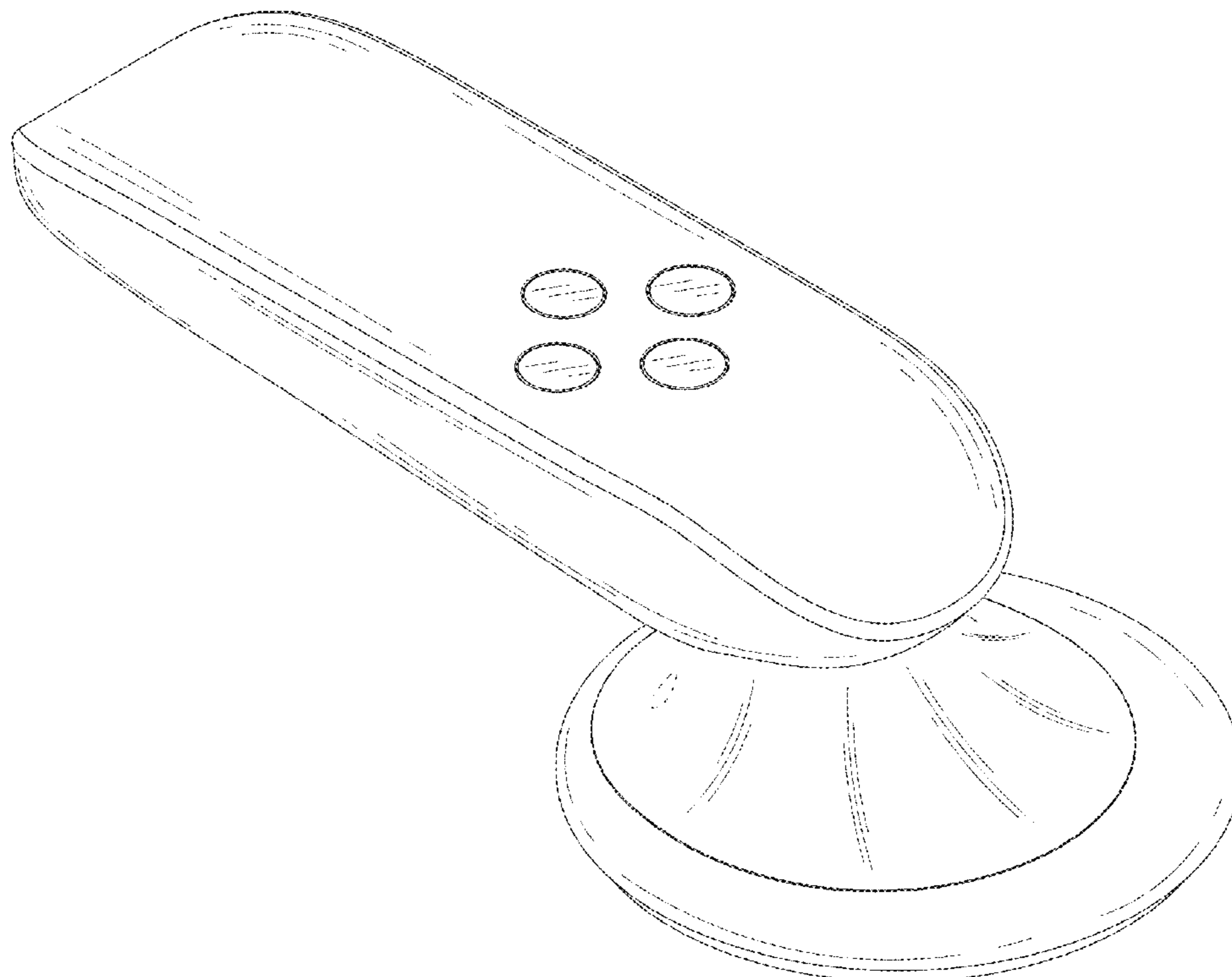
The broken lines depict portions of the butt Lift that form no part of the claimed design.

**1 Claim, 8 Drawing Sheets**

(56) **References Cited**

**U.S. PATENT DOCUMENTS**

- D333,351 S \* 2/1993 Tsou ..... D24/214
- D359,563 S \* 6/1995 Chi ..... D24/214
- D362,307 S \* 9/1995 Cirone ..... D24/211
- D414,582 S \* 9/1999 Hwang ..... D24/215
- D523,561 S \* 6/2006 Telford ..... D24/215
- D559,058 S \* 1/2008 Radi ..... D8/62
- D590,066 S \* 4/2009 Stewart ..... D24/214
- D660,448 S \* 5/2012 Lum ..... D24/209



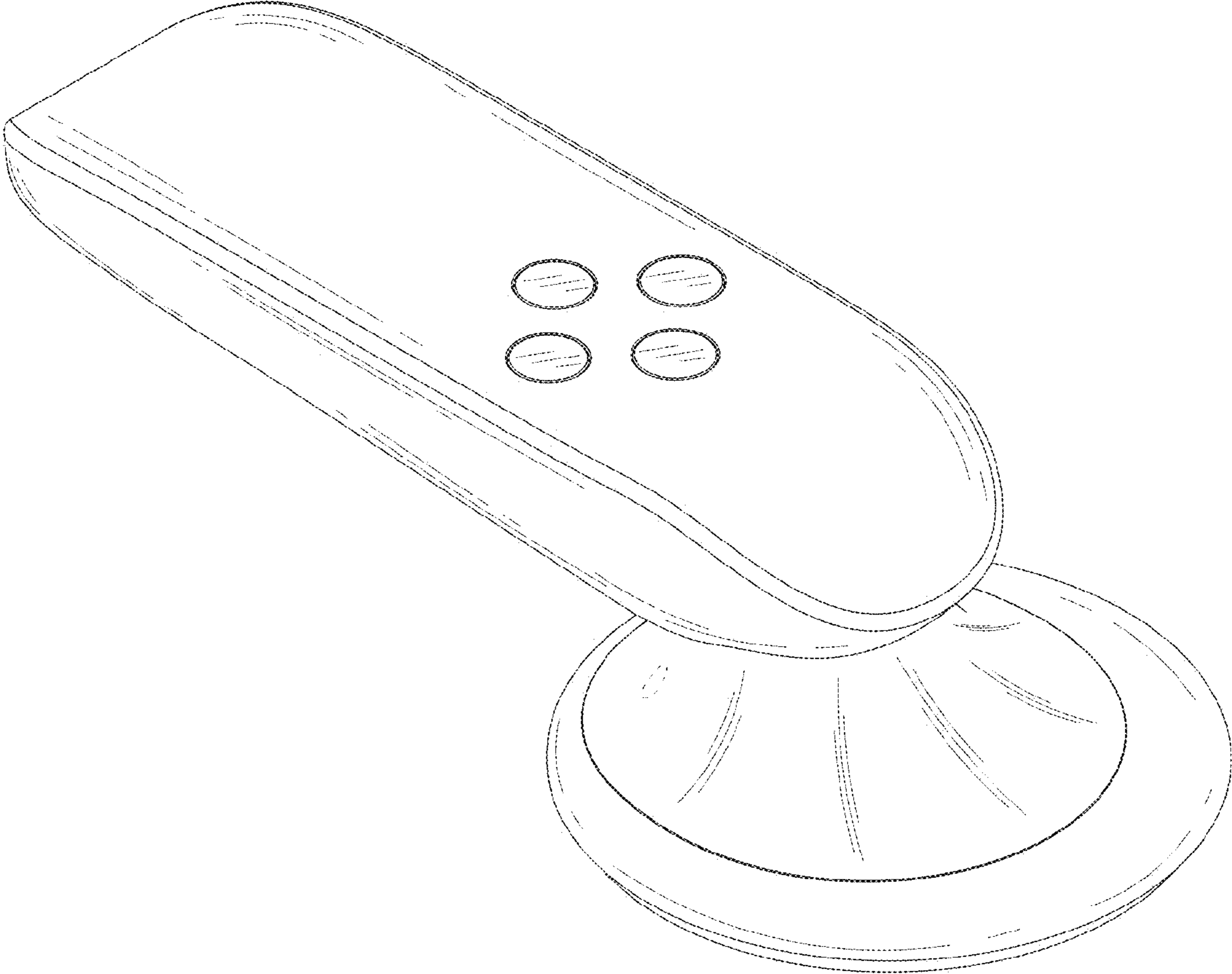


FIG. 1

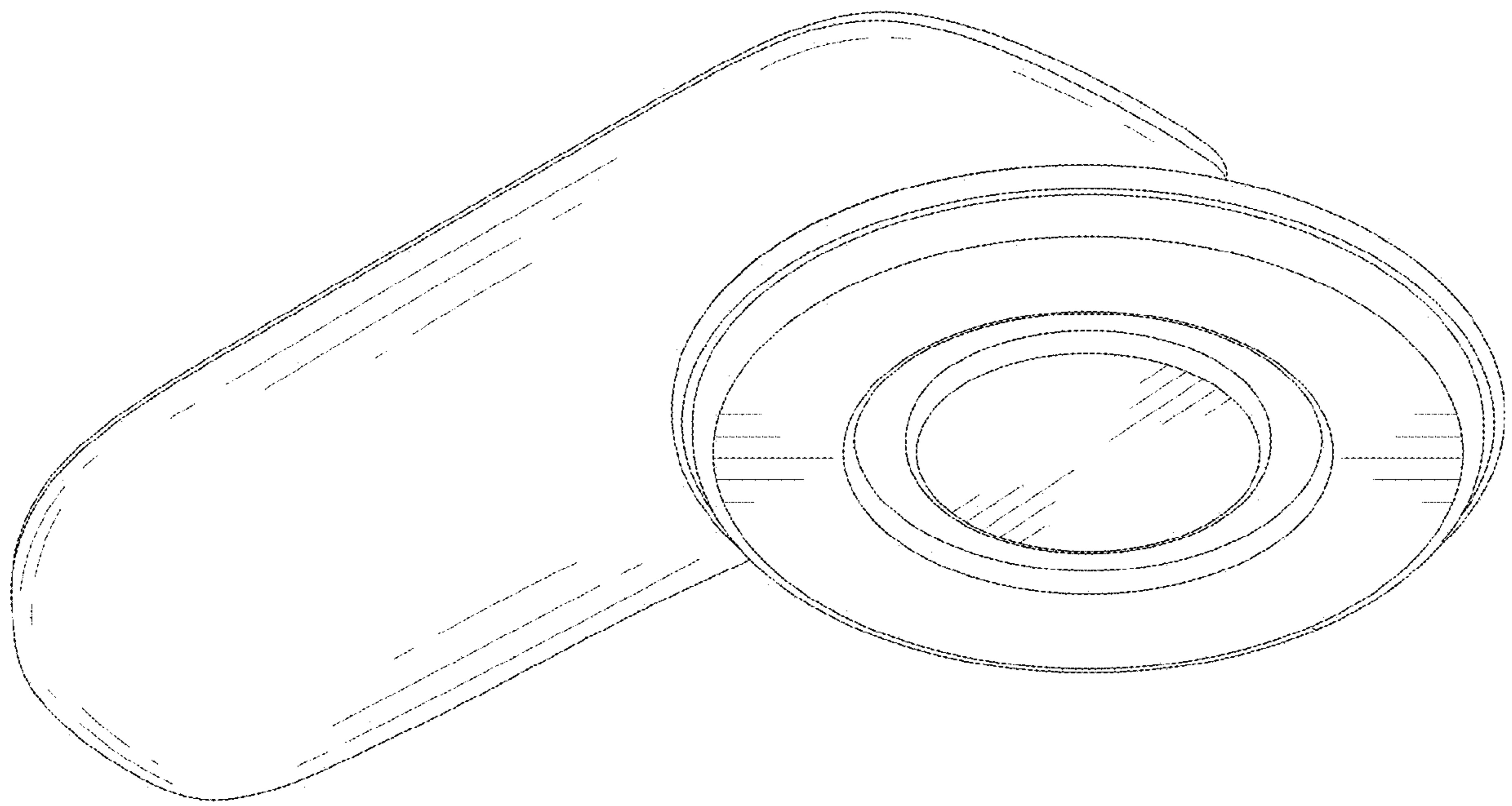


FIG. 2

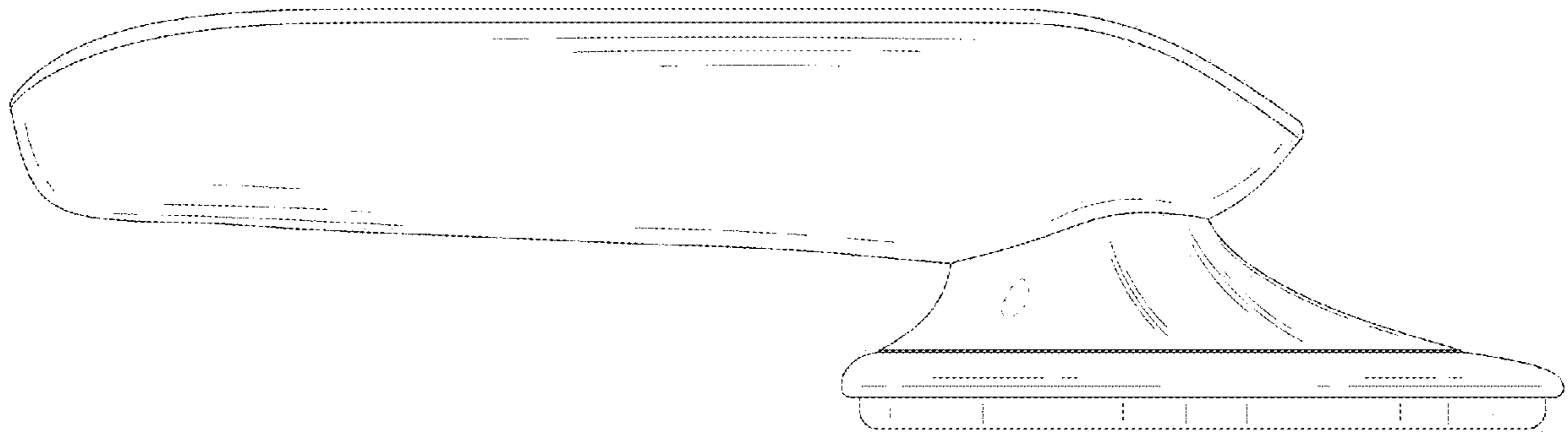


FIG. 3

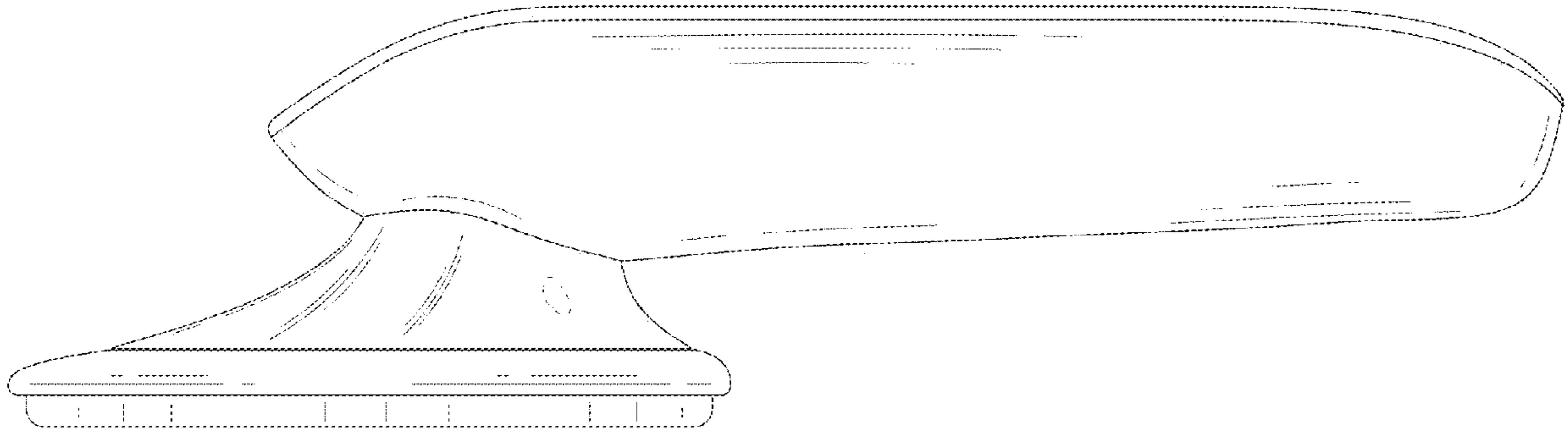


FIG. 4

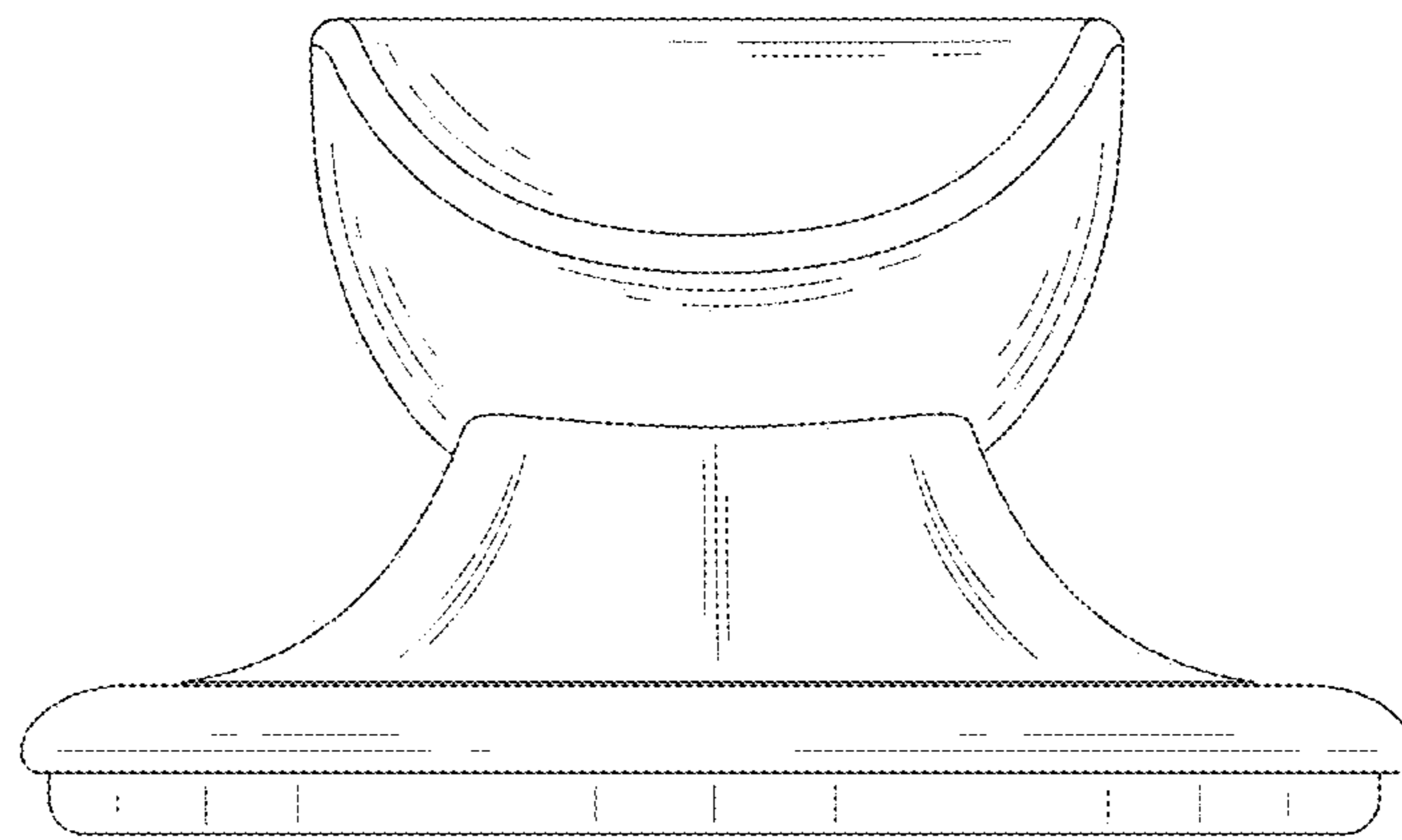


FIG. 5

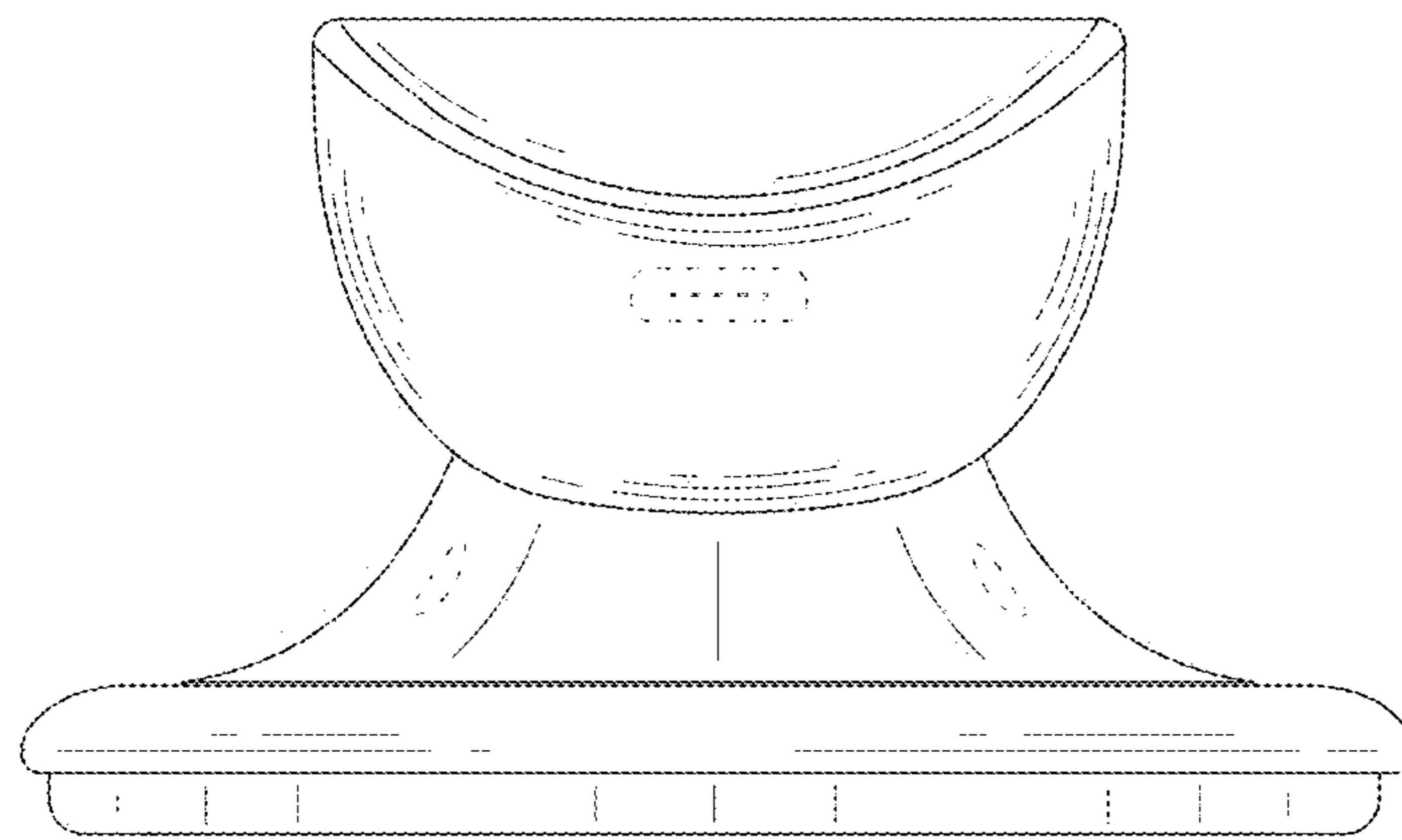


FIG. 6

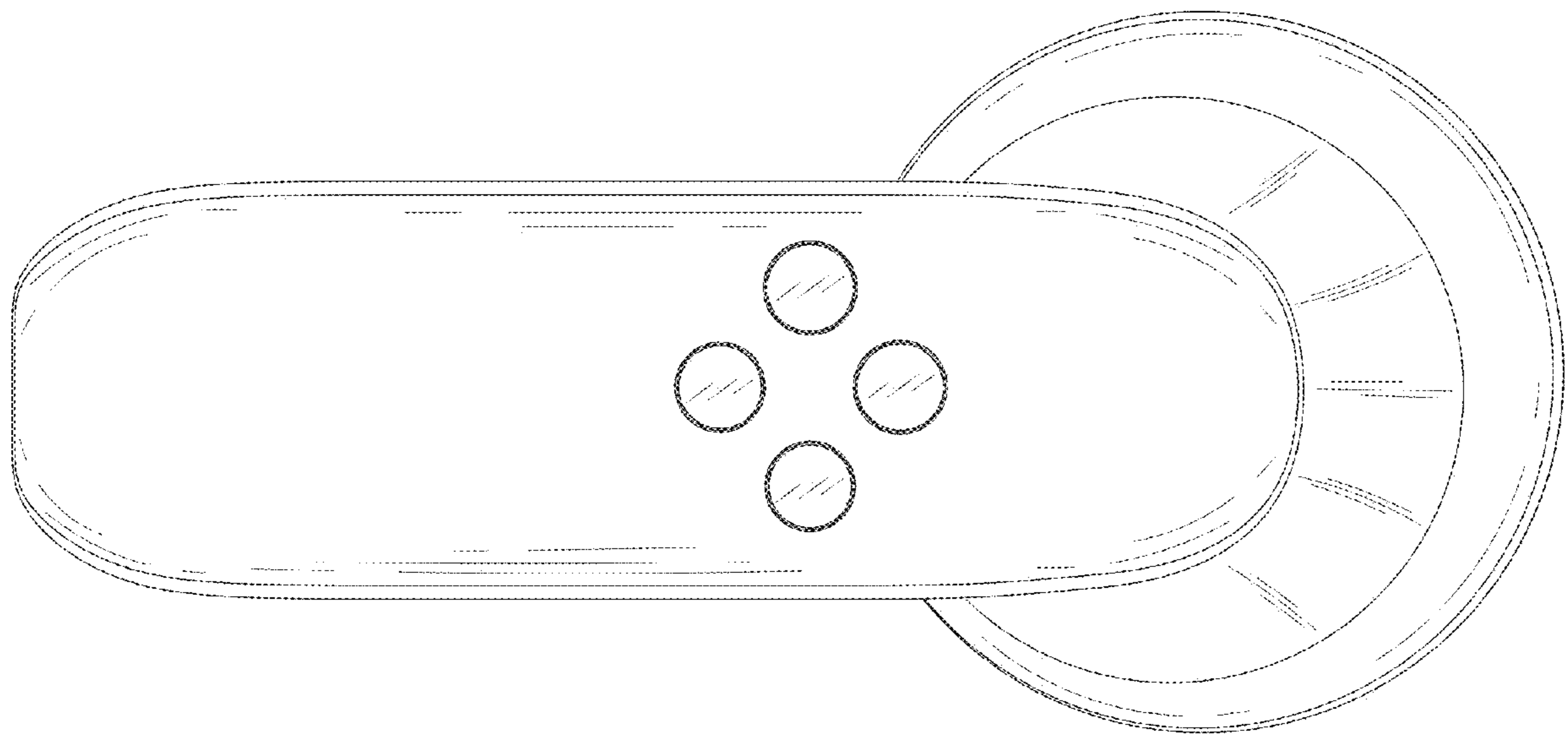


FIG. 7



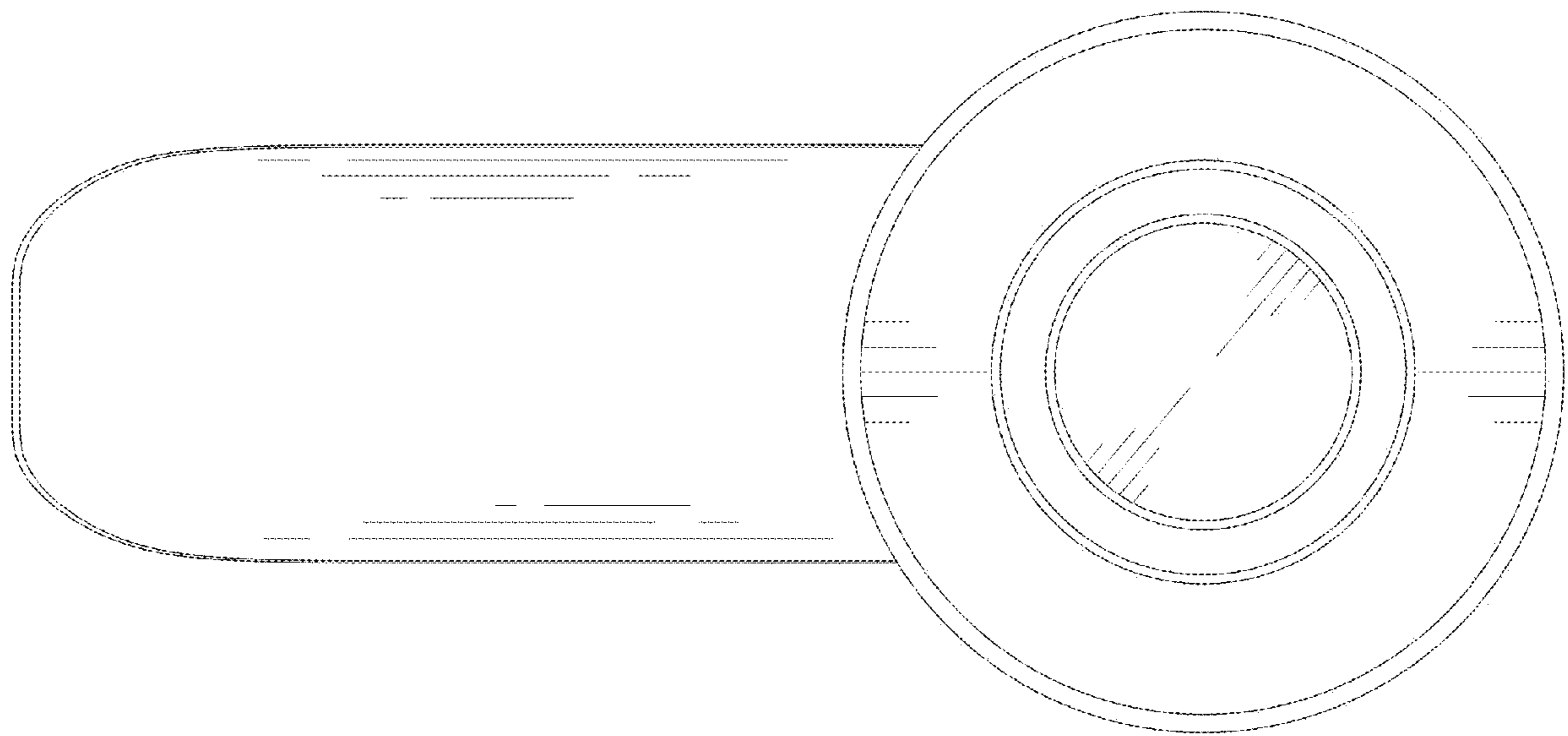


FIG. 8