



US00D982170S

(12) **United States Design Patent** (10) **Patent No.:** **US D982,170 S**
Jin (45) **Date of Patent:** **** Mar. 28, 2023**

(54) **MESSAGE GUN**

(71) Applicant: **Peng Jin**, Yongkang (CN)
(72) Inventor: **Peng Jin**, Yongkang (CN)
(**) Term: **15 Years**
(21) Appl. No.: **29/811,834**
(22) Filed: **Oct. 18, 2021**
(51) **LOC (14) Cl.** **24-01**
(52) **U.S. Cl.**
USPC **D24/215**
(58) **Field of Classification Search**
USPC D24/200, 211, 212, 213, 214, 215;
D8/14.1; D28/13
CPC A61H 15/02; A61H 1/008; A61H
2201/1635; A61H 1/006; A61H 15/00
See application file for complete search history.

(56) **References Cited**

U.S. PATENT DOCUMENTS

D912,267 S *	3/2021	Tang	D24/215
D913,517 S *	3/2021	Yu	D24/215
D923,188 S *	6/2021	Xu	D24/211
D923,194 S	6/2021	Xu		
D926,338 S *	7/2021	Xu	D24/215
D928,338 S *	8/2021	Hu	D24/215
D928,339 S	8/2021	Yang		
D931,481 S *	9/2021	Li	D24/211
D934,441 S *	10/2021	Zhang	D24/215
D935,637 S *	11/2021	Li	D24/215
D938,056 S *	12/2021	Wu	D24/215
D939,724 S *	12/2021	Hu	D24/215
D948,068 S *	4/2022	Xu	D24/215
D949,379 S *	4/2022	Xu	D24/215
D949,384 S *	4/2022	Liang	D24/215

OTHER PUBLICATIONS

Youtube, "DDVWU Massage Gun", Apr. 25, 2022. <https://www.youtube.com/watch?v=m28i4JMR--c>. Shown at the 0:17second mark. (Year: 2022).*
Amazon, "Massage Gun", Date First Available Jan. 3, 2022. https://www.amazon.com/Massager-Percussion-Portable-Handheld-Relaxation/dp/B09PLDC4FF/ref=cm_cr_arp_d_product_top?ie=UTF8. Shown on p. 1. (Year: 2022).*

* cited by examiner

Primary Examiner — Michael A Maharajh
(74) *Attorney, Agent, or Firm* — Jeenam Park

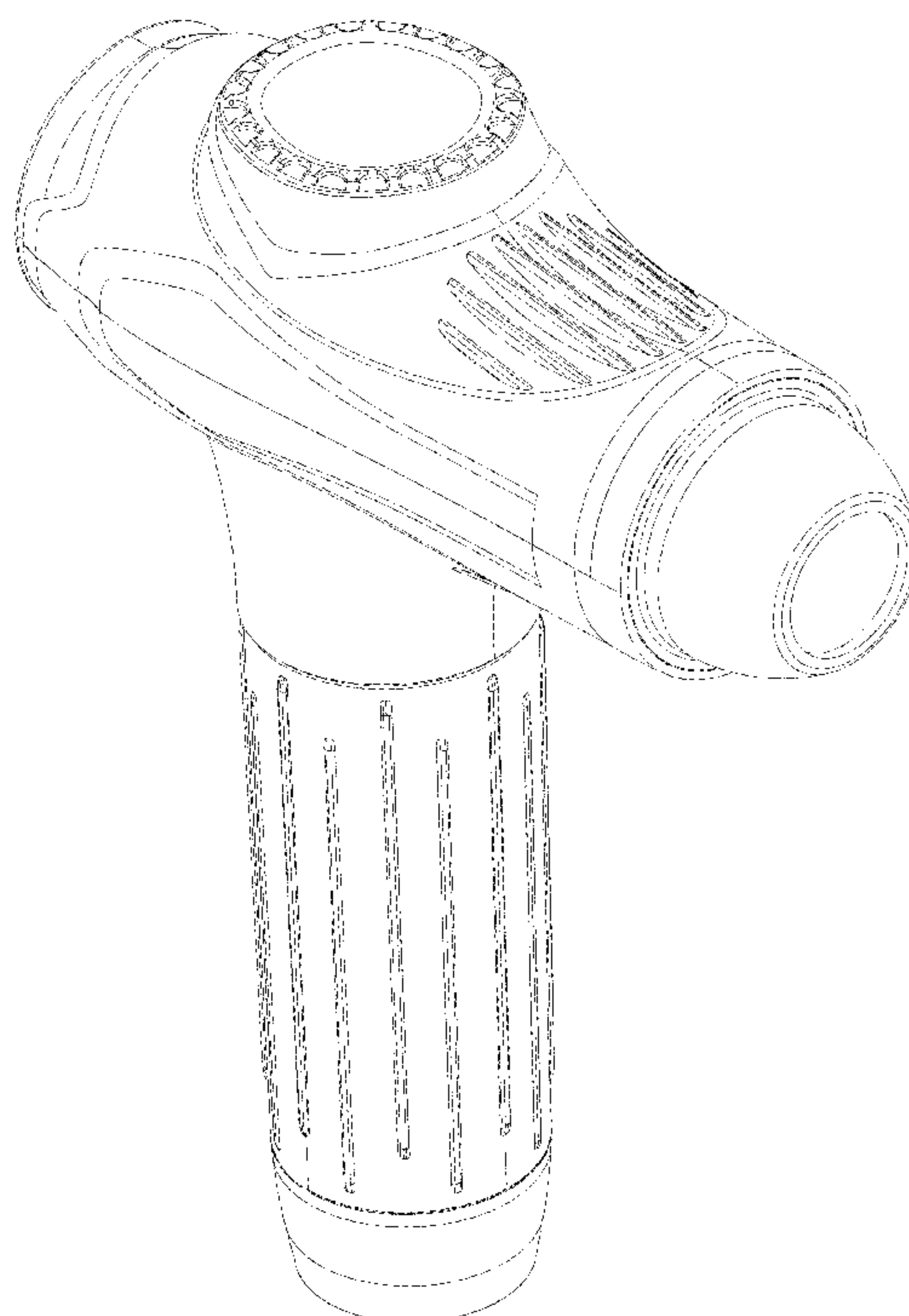
(57) **CLAIM**

The ornamental design for a massage gun, as shown and described.

DESCRIPTION

FIG. 1 is a perspective view of a massage gun, showing my new design;
FIG. 2 is another perspective view thereof;
FIG. 3 is a front view thereof;
FIG. 4 is a rear view thereof;
FIG. 5 is a left side view thereof;
FIG. 6 is a right side view thereof;
FIG. 7 is a top plan view thereof; and,
FIG. 8 is a bottom plan view thereof.
The broken lines shown in the figures are for the purpose of illustrating portions of the massage gun, which form no part of the claimed design.

1 Claim, 8 Drawing Sheets



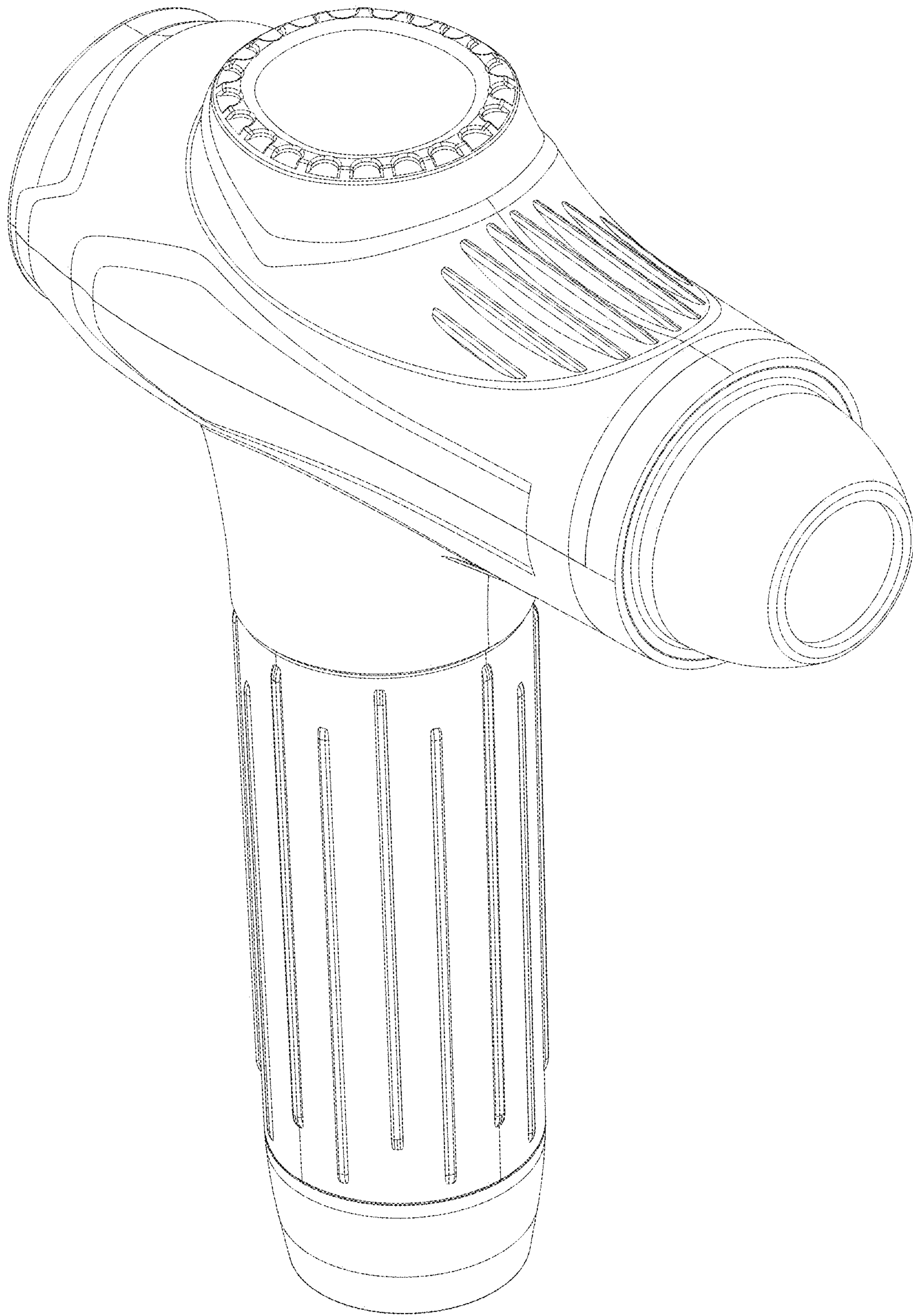


FIG. 1

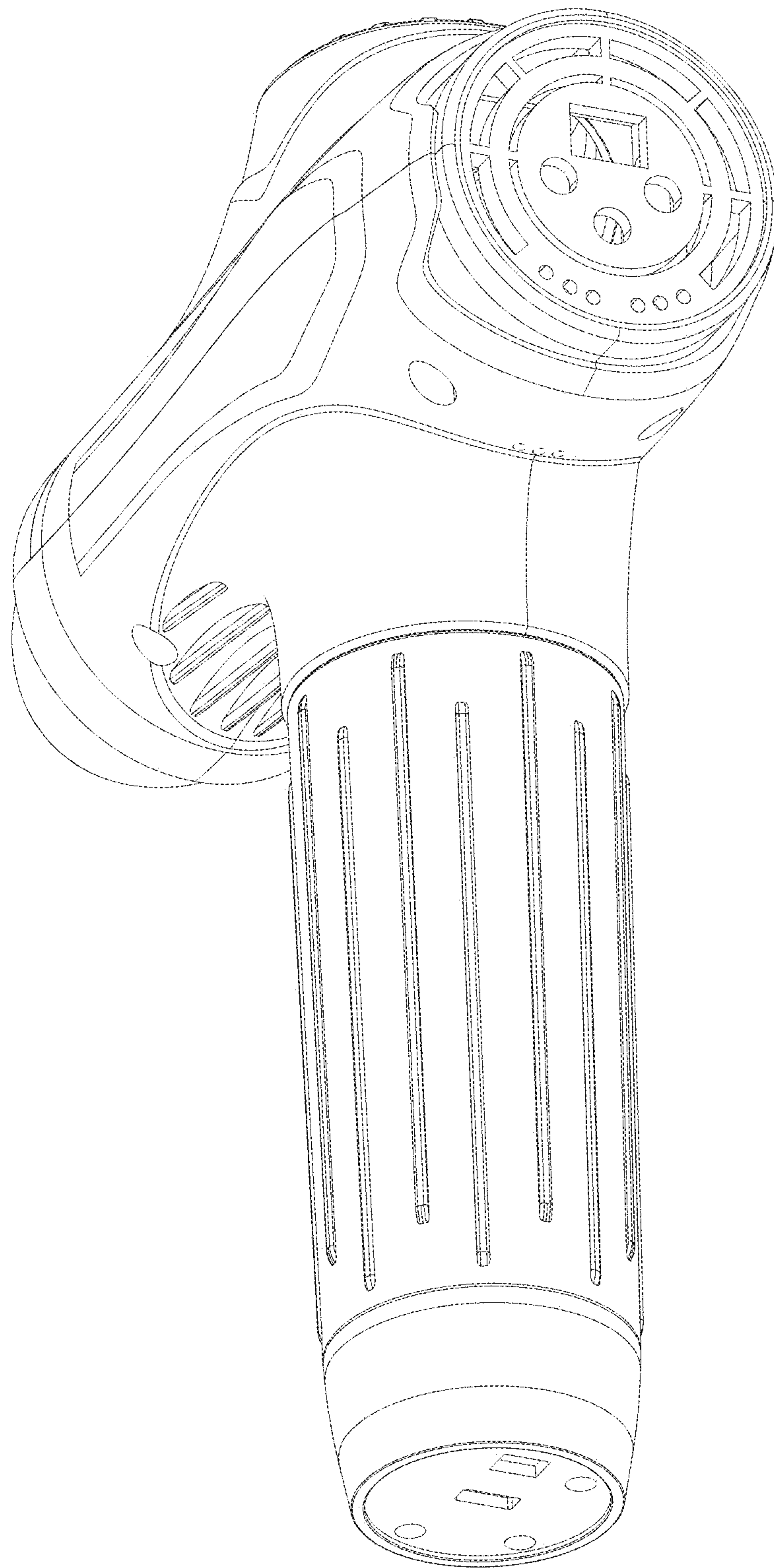


FIG. 2

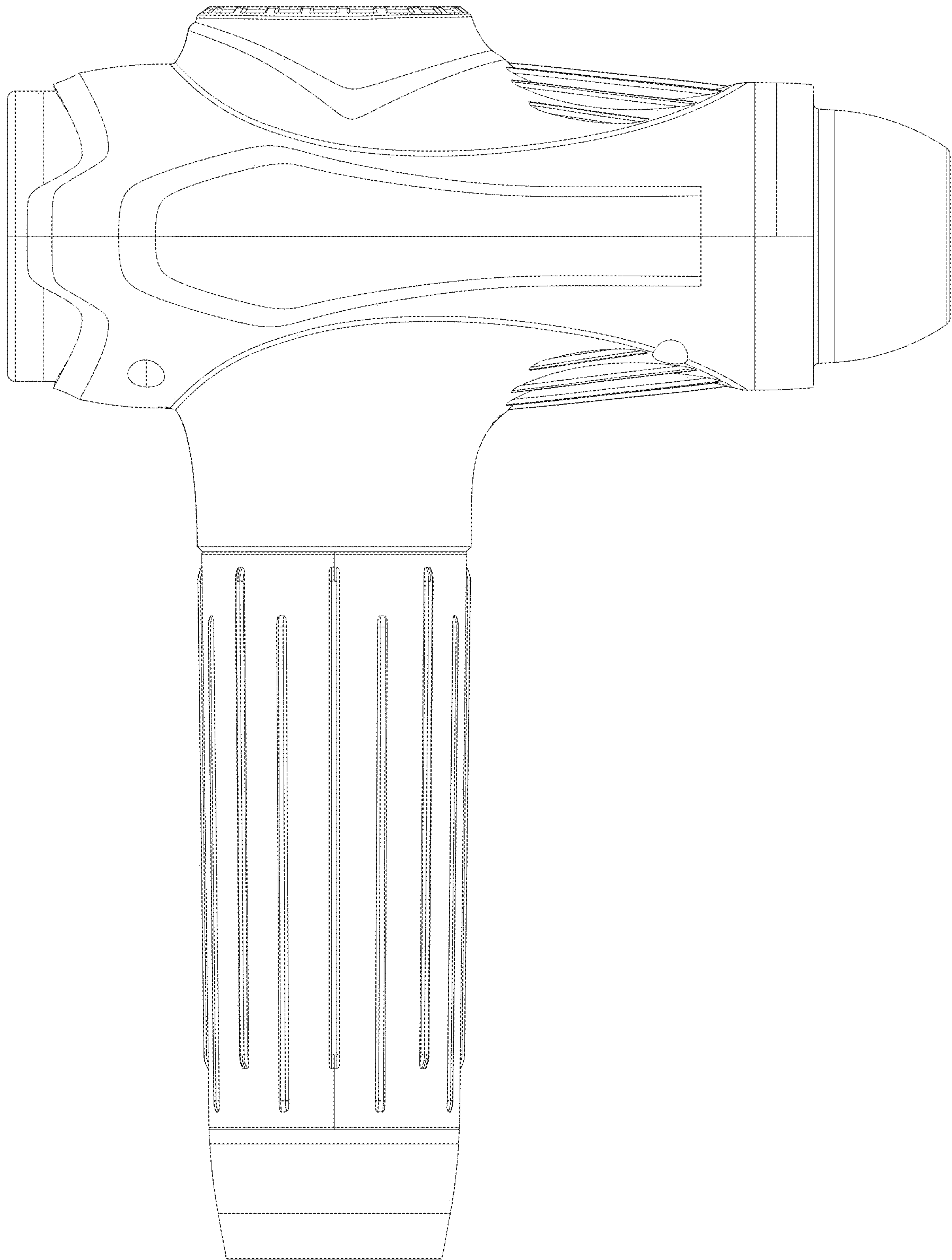


FIG. 3

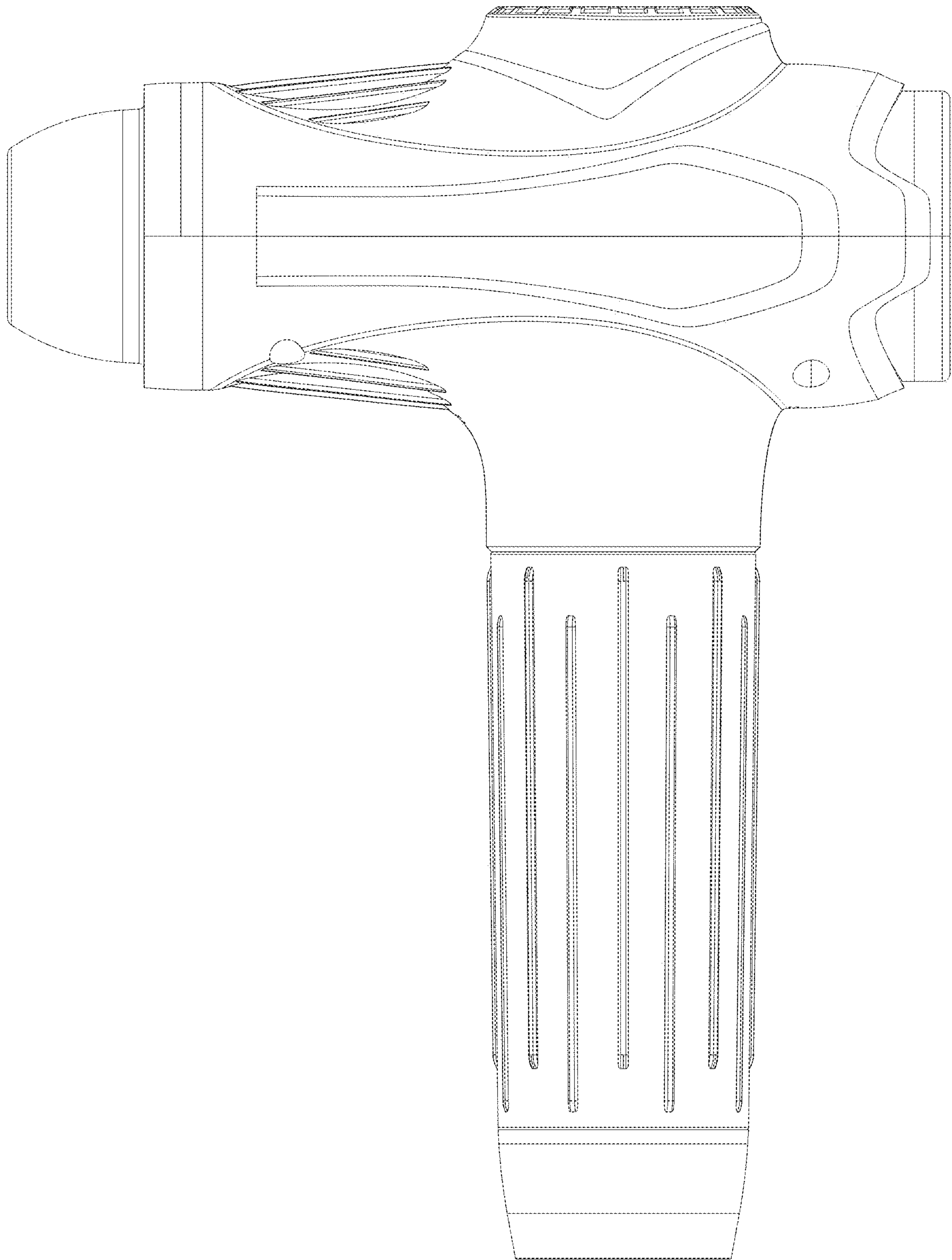


FIG. 4

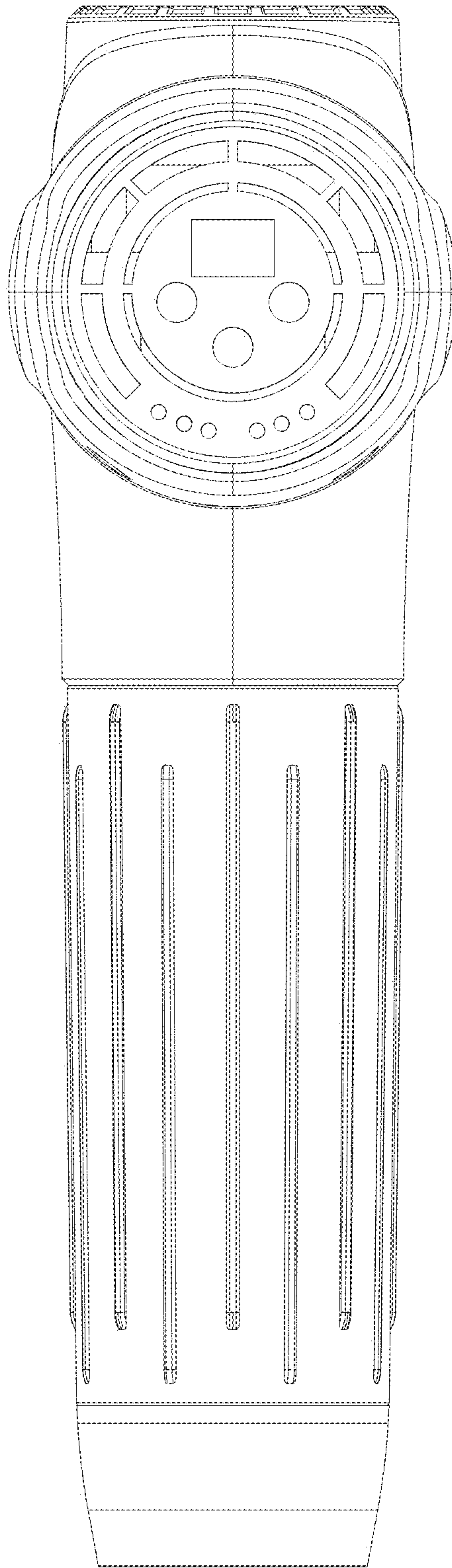


FIG. 5

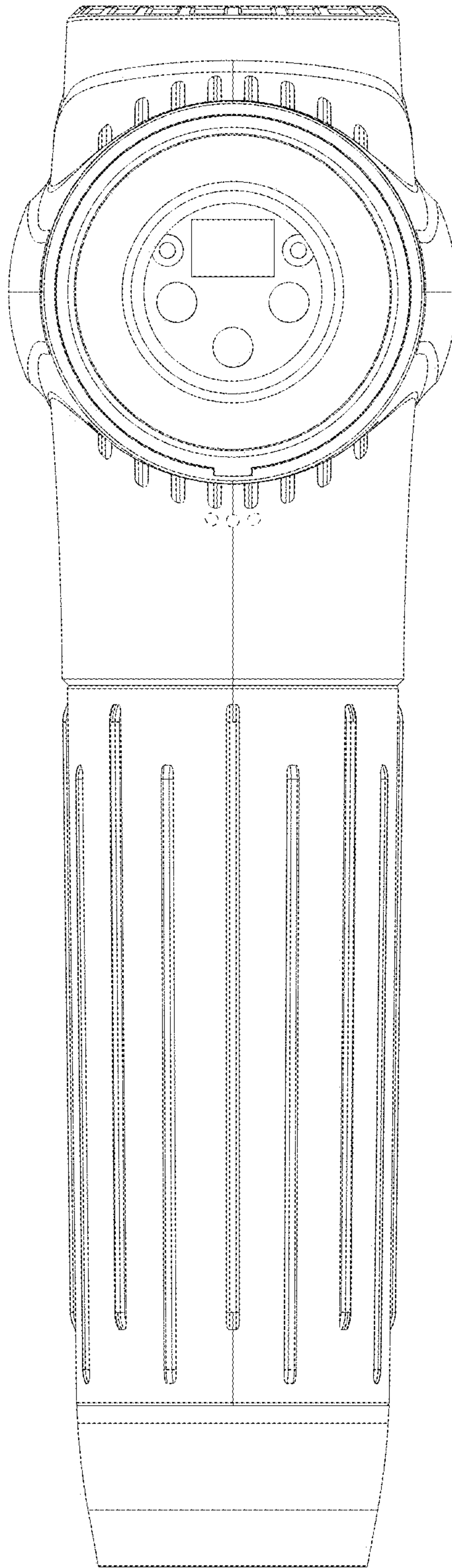


FIG. 6

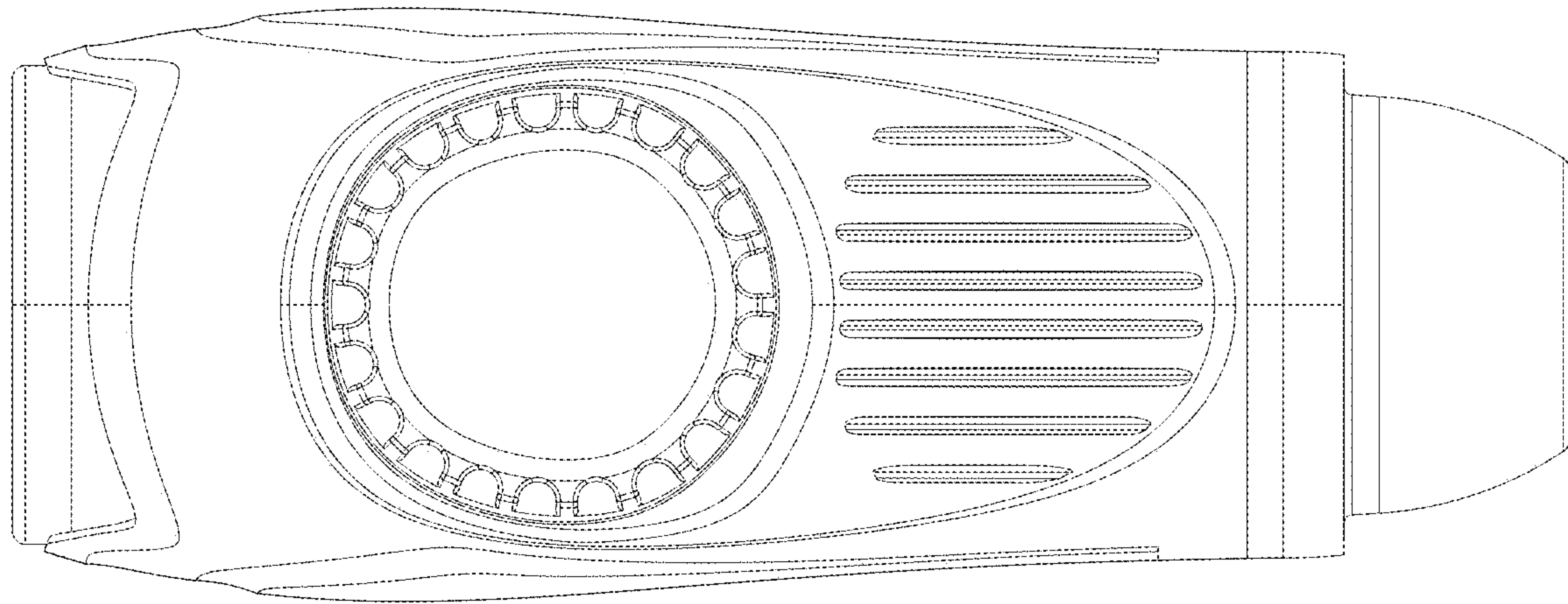


FIG. 7

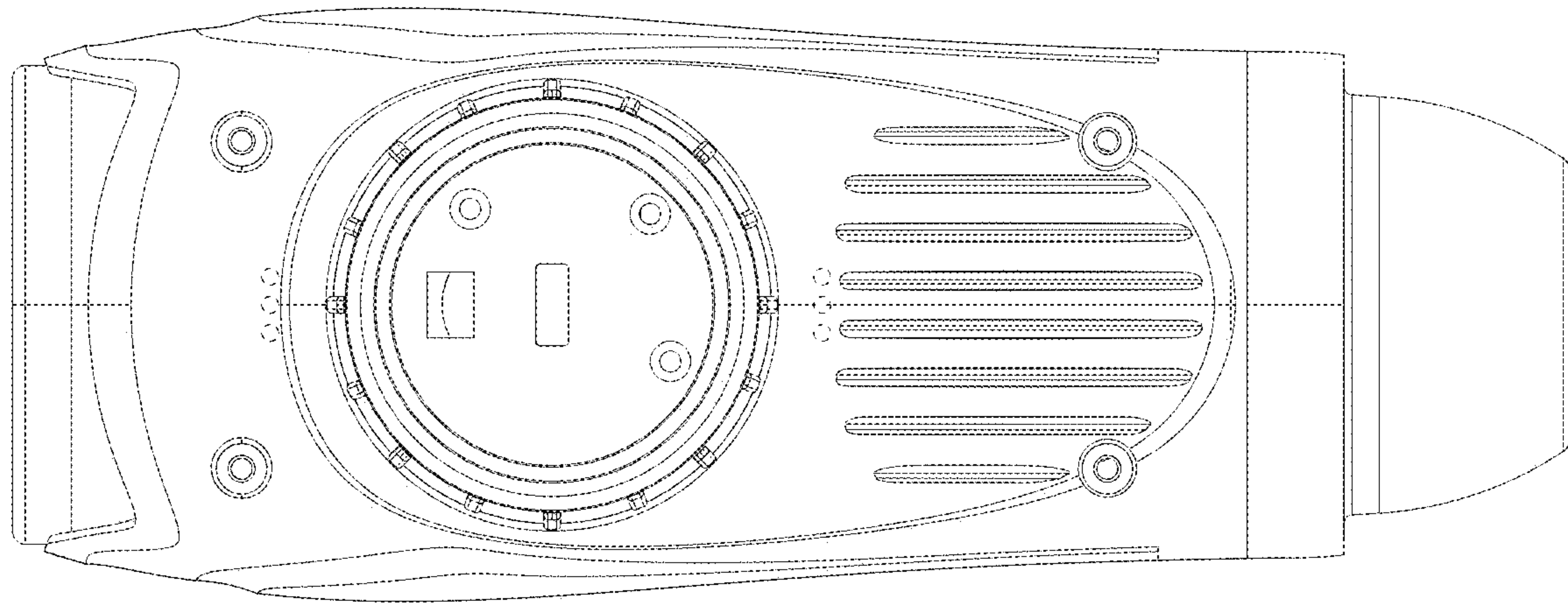


FIG. 8