



US00D982167S

(12) **United States Design Patent**  
**Xiao**

(10) **Patent No.:** **US D982,167 S**  
(45) **Date of Patent:** **\*\* Mar. 28, 2023**

(54) **HEAD FOR MASSAGE APPLIANCE**

(71) Applicant: **Aukey Technology Co., Ltd**, Shenzhen (CN)

(72) Inventor: **Xigen Xiao**, Shenzhen (CN)

(73) Assignee: **Aukey Technology Co., Ltd**, Shenzhen (CN)

(\*\*) Term: **15 Years**

(21) Appl. No.: **29/760,811**

(22) Filed: **Dec. 4, 2020**

(51) **LOC (14) Cl.** ..... **28-03**

(52) **U.S. Cl.**

USPC ..... **D24/211**; D24/215

(58) **Field of Classification Search**

USPC ..... D24/215, 200, 211, 212, 213, 214, 133, D24/107, 231, 184; D8/29, 85, 86, 386, D8/394; D9/435, 439, 441; D21/717; D26/2; D30/158

CPC ..... A61H 15/00; A61H 2015/0007; A61H 2015/0042; A61H 15/0092; A61H 23/00; A61H 23/006; A61H 2023/002; A61H 23/06; A61H 23/02; A61H 2201/0153; A61H 2201/0157; A61H 7/005; A61H 7/003; A61H 7/00; A61H 1/00; A61H 1/008; A61H 15/0078; A61H 15/0085; A61H 23/04

See application file for complete search history.

(56) **References Cited**

**U.S. PATENT DOCUMENTS**

D558,886 S *	1/2008	Chen	.....	D24/214
D627,898 S *	11/2010	Aulwes	.....	D24/214
D719,273 S *	12/2014	Chen	.....	D24/215
D848,089 S *	5/2019	Cunniff	.....	D30/158
2007/0173748 A1 *	7/2007	Shin	.....	A61H 7/007 601/112

2009/0227915 A1 *	9/2009	Chiang	.....	A61H 1/00 601/115
2012/0010544 A1 *	1/2012	Chen	.....	A61H 7/005 601/134
2015/0094627 A1 *	4/2015	Chen	.....	A61H 7/007 601/134
2016/0008210 A1 *	1/2016	Chen	.....	A61H 7/007 601/98
2016/0151234 A1 *	6/2016	Chen	.....	A61H 7/007 601/113

(Continued)

**OTHER PUBLICATIONS**

Dr.Lefran—Shiatsu Back and Waist Massage Pillow. Date: Mar. 17, 2020. [online]. [Site visited Mar. 26, 2022]. Available from Internet URL: <https://www.amazon.co.uk/dp/B085ZYSCJY/> (Year: 2020).\*

(Continued)

*Primary Examiner* — Eliza Z Harvey

*Assistant Examiner* — Landon Thomas Cassell

(57) **CLAIM**

The ornamental design for a head for massage appliance, as shown and described.

**DESCRIPTION**

FIG. 1 is a perspective view of a head for massage appliance showing my new design;

FIG. 2 is a perspective view viewed from another angle thereof;

FIG. 3 is a front elevation view thereof;

FIG. 4 is a rear elevation view thereof;

FIG. 5 is a left side elevation view thereof;

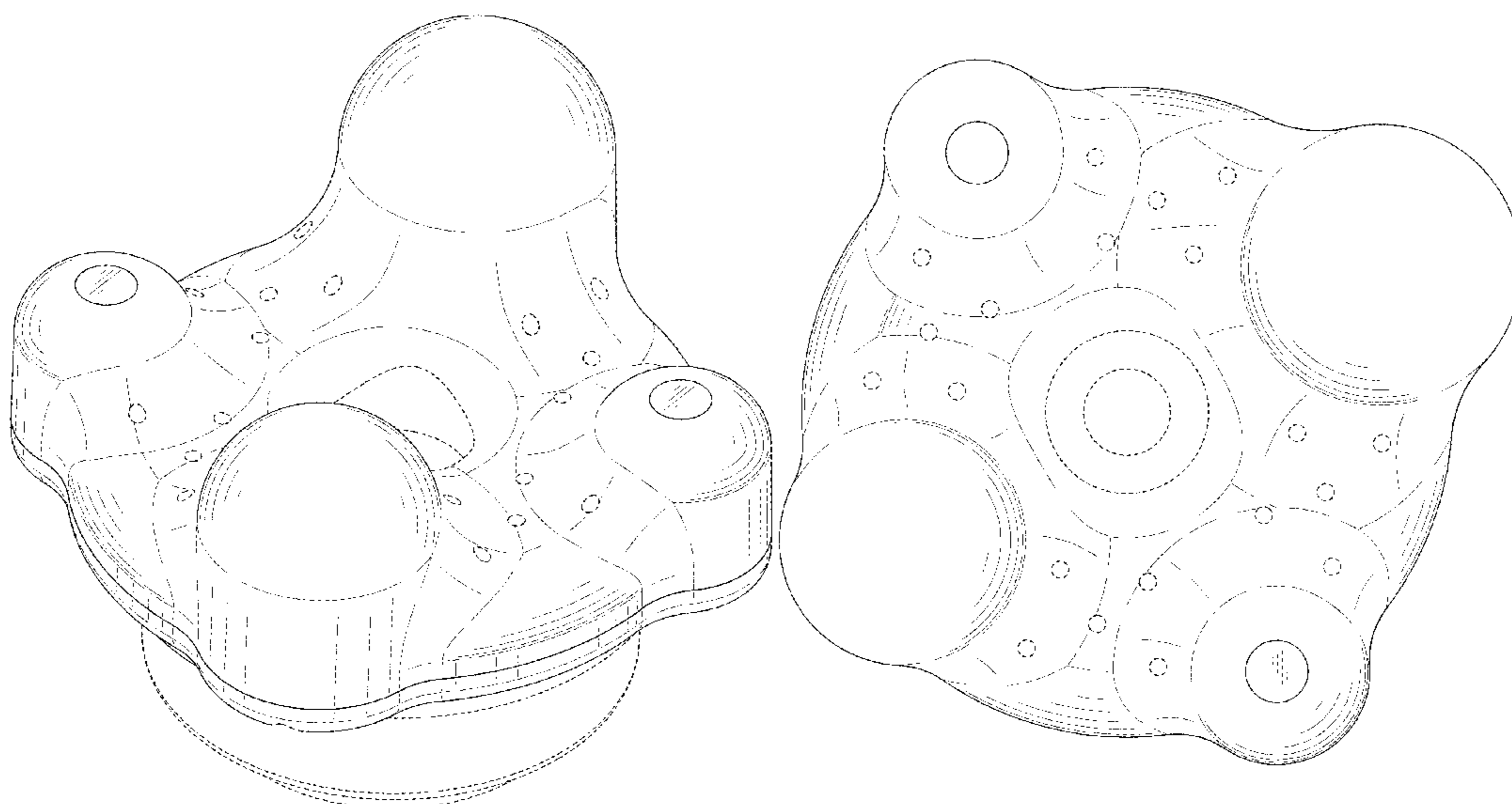
FIG. 6 is a right side elevation view thereof;

FIG. 7 is a top plan view thereof; and,

FIG. 8 is a bottom plan view thereof.

The broken lines depict portions of the head for massage appliance in which the design is embodied that form no part of the claimed design.

**1 Claim, 8 Drawing Sheets**



(56)

**References Cited**

U.S. PATENT DOCUMENTS

2016/0184171 A1\* 6/2016 Poole ..... A61H 1/00  
601/46  
2021/0322257 A1\* 10/2021 Lee ..... A61H 15/0078  
2022/0000706 A1\* 1/2022 Grbic ..... A61H 23/0263

OTHER PUBLICATIONS

Ineedu—Shiatsu Back Massager with Heat. Date: Dec. 2, 2020. [online]. [Site visited Mar. 26, 2022]. Available from Internet URL: <https://www.amazon.co.uk/dp/B08J6L6W6N/> (Year: 2020).\*

Invospa—Shiatsu Back Shoulder and Neck Massager with Heat. Date: Aug. 13, 2017. [online]. [Site visited Mar. 26, 2022]. Available from Internet URL: <https://www.amazon.com/dp/B07DBY2X24> (Year: 2017).\*

Massagers. (Design—© Questel) orbit.com. [Online PDF compilation of references] 28 pgs. Print Dates Range Apr. 2, 2014-Jun. 13, 2017 [Retrieved Mar. 28, 2022] <https://www.orbit.com/export/UCZAH96B/pdf4/b61cee6c-d359-4edf-9c0a-e1b85f8db410-152939.pdf> (Year: 2022).\*

\* cited by examiner

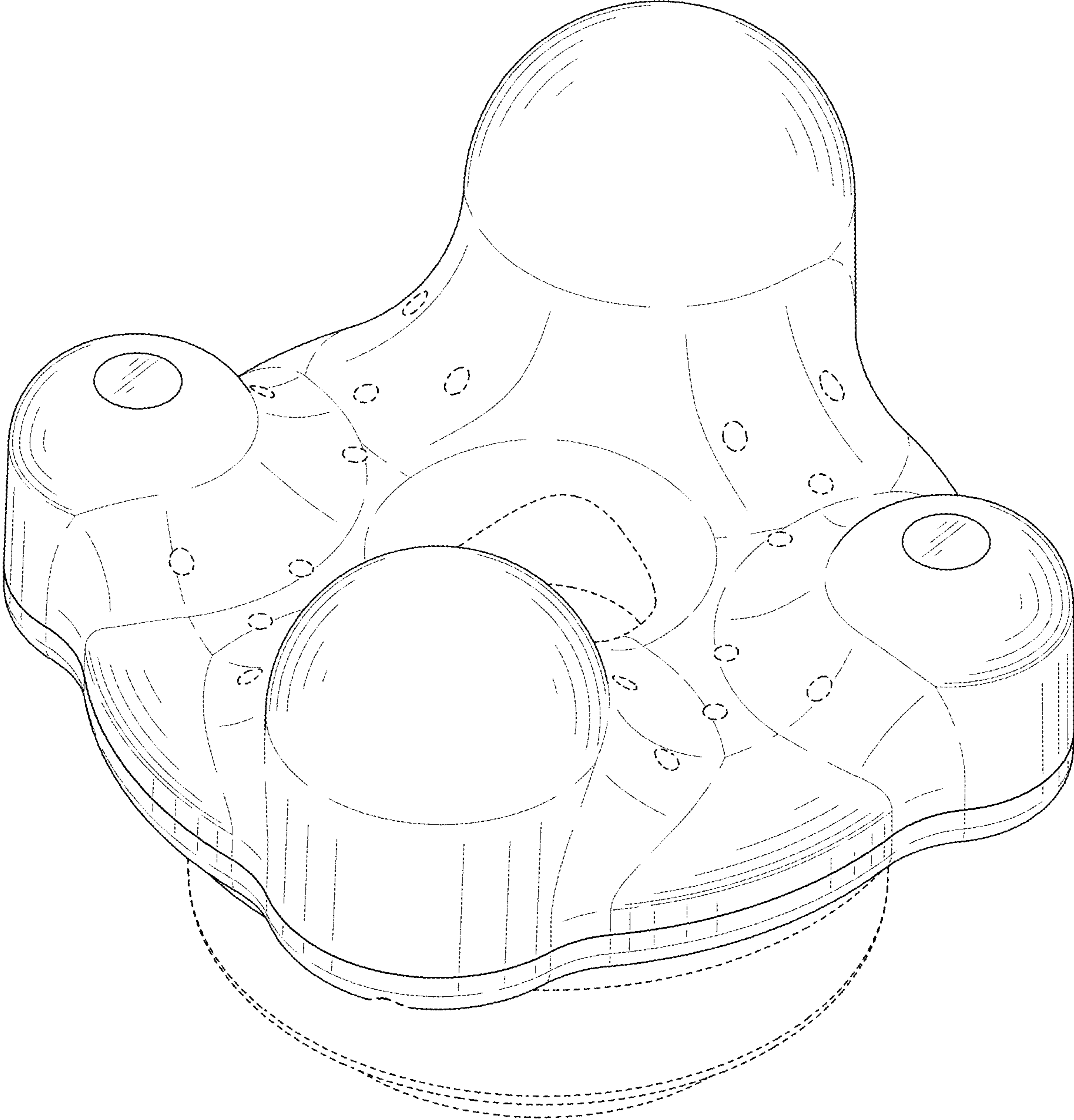


FIG. 1

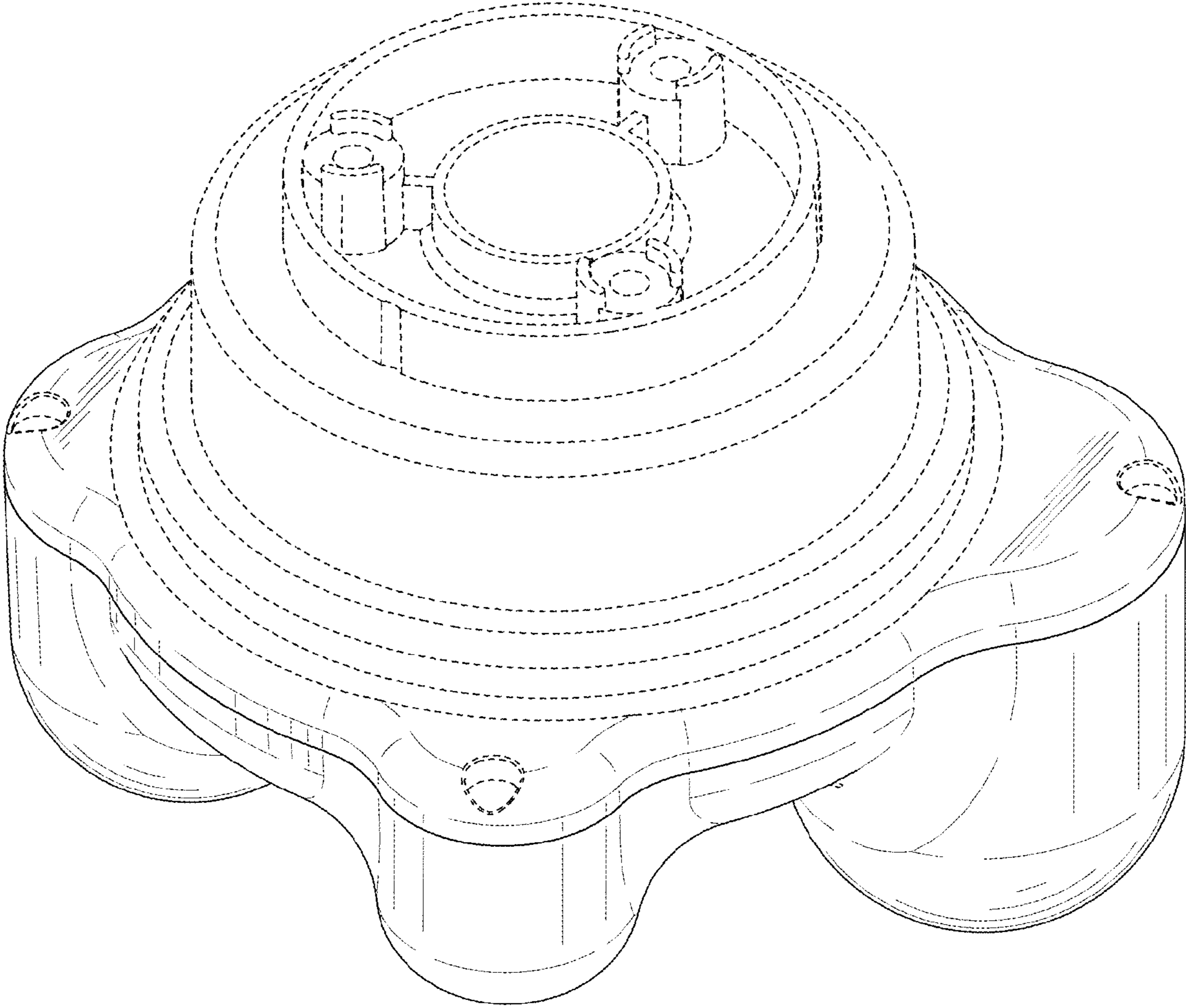


FIG. 2

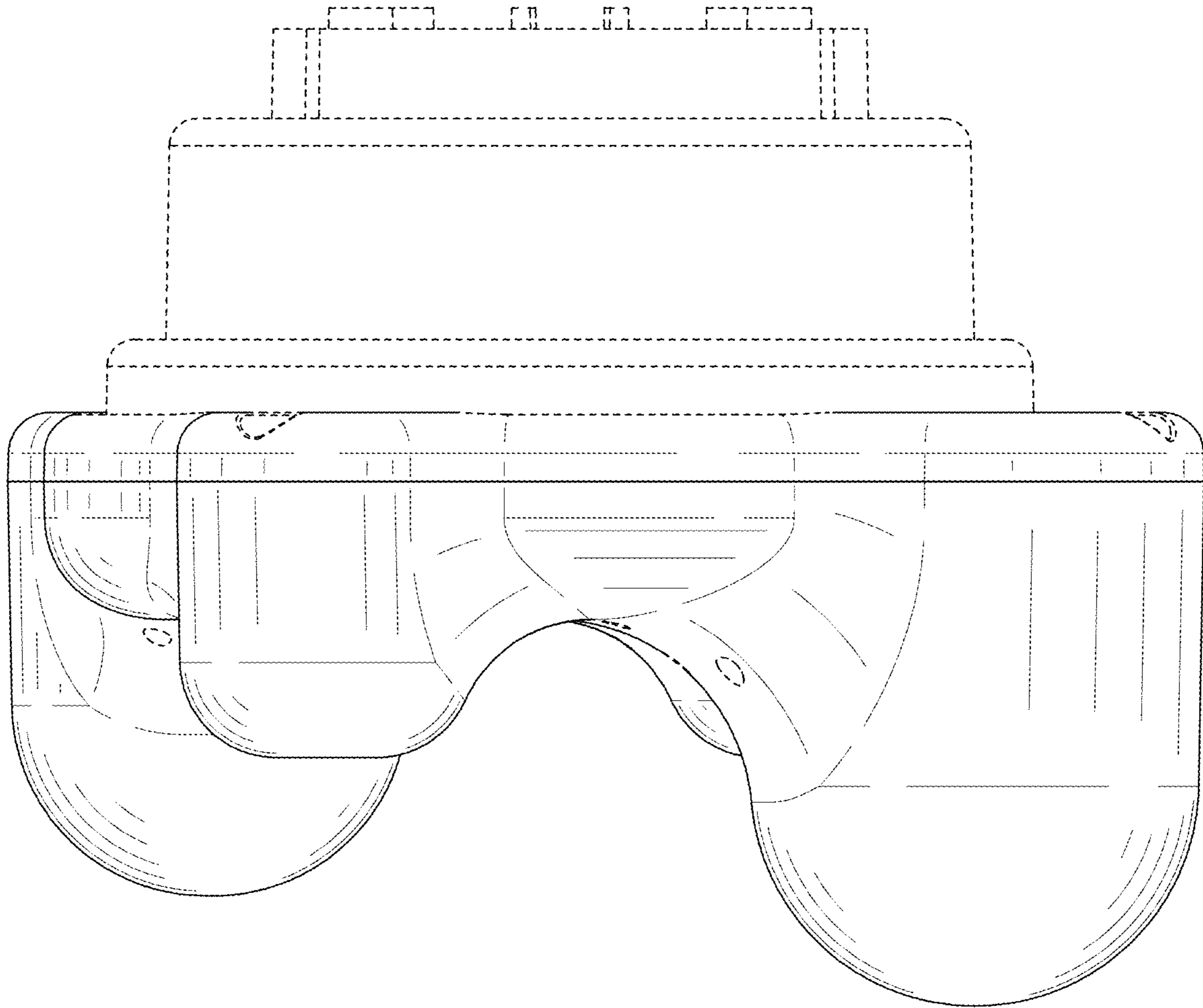


FIG. 3

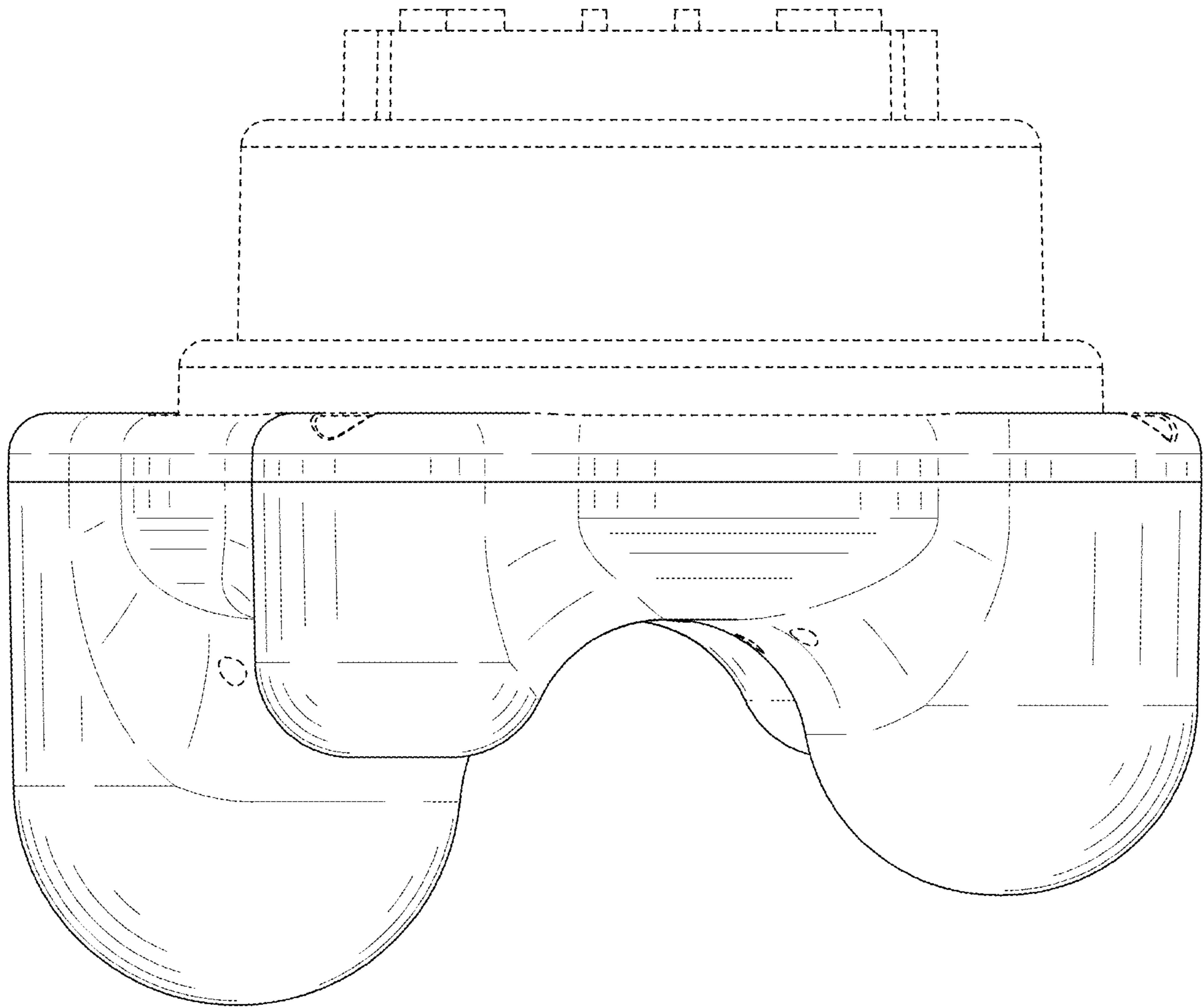


FIG. 4

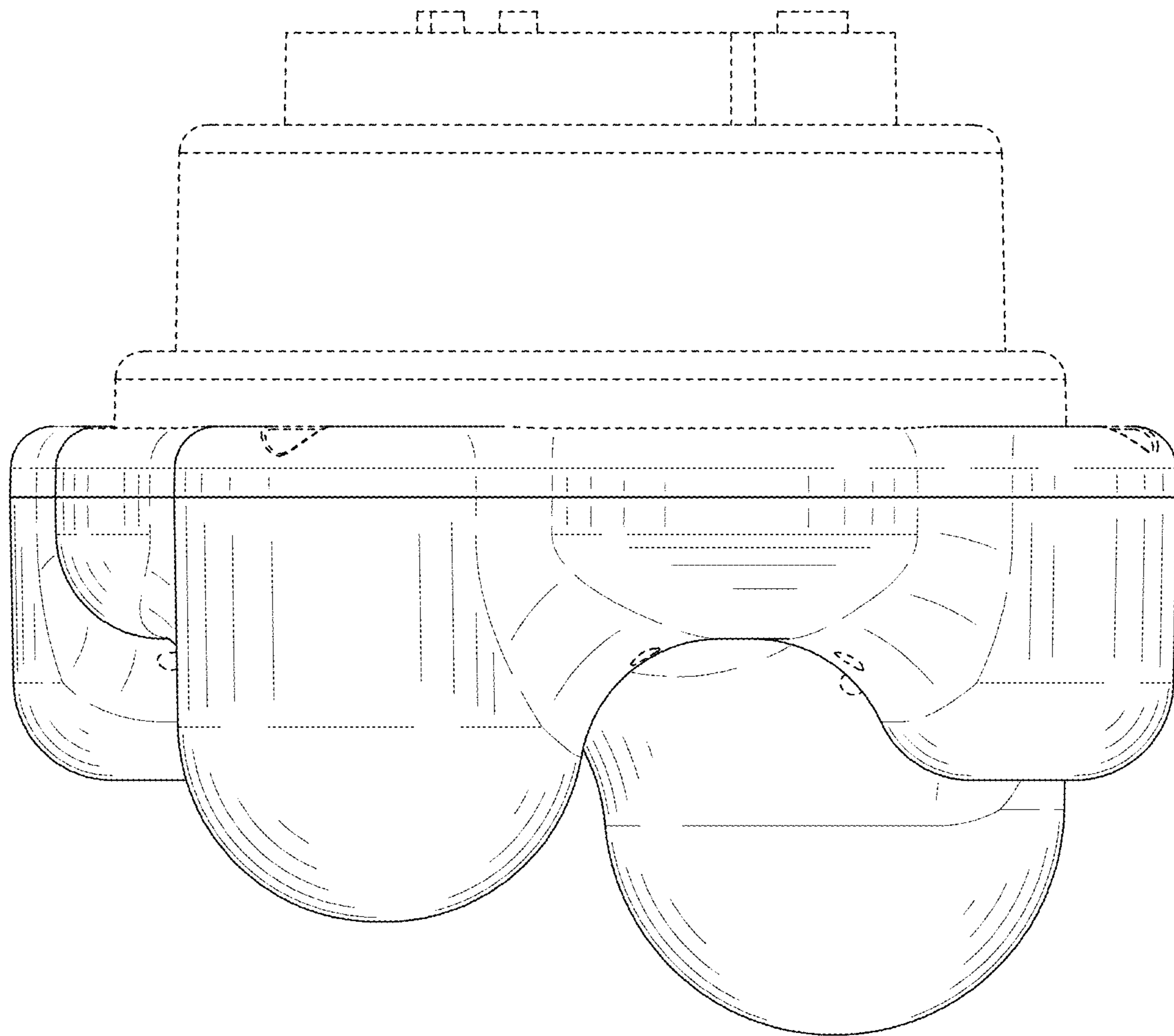


FIG. 5

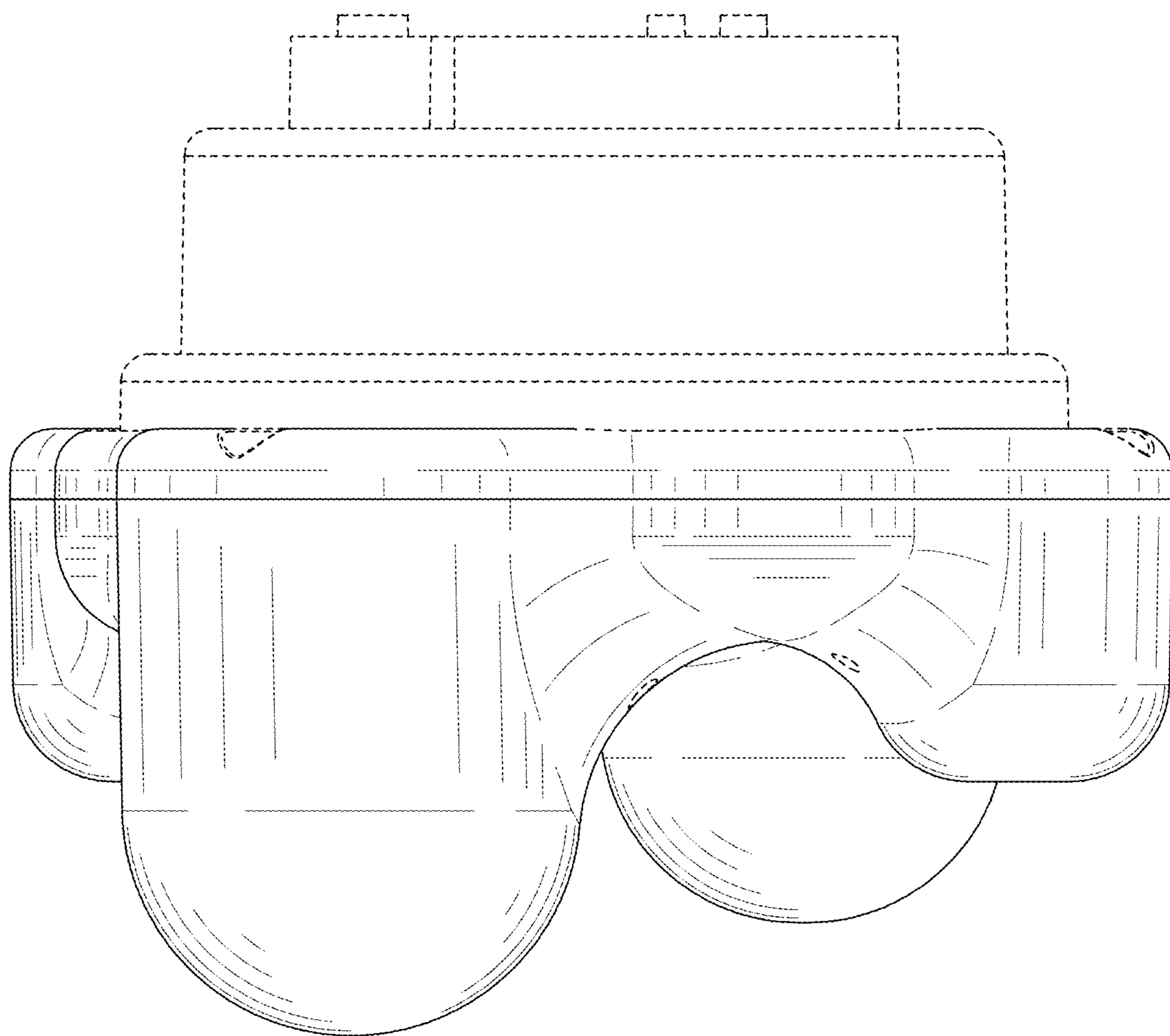


FIG. 6



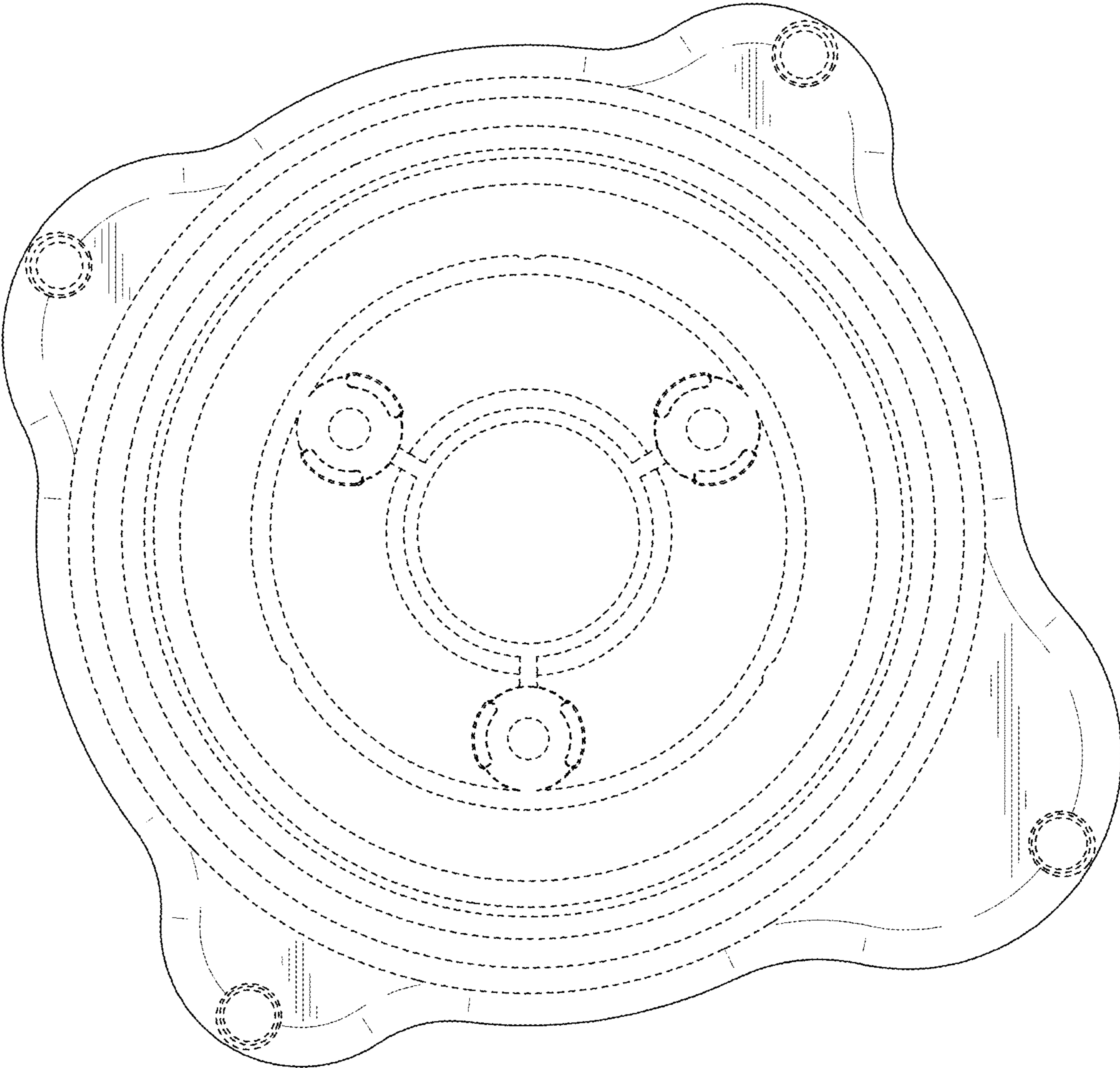


FIG. 7

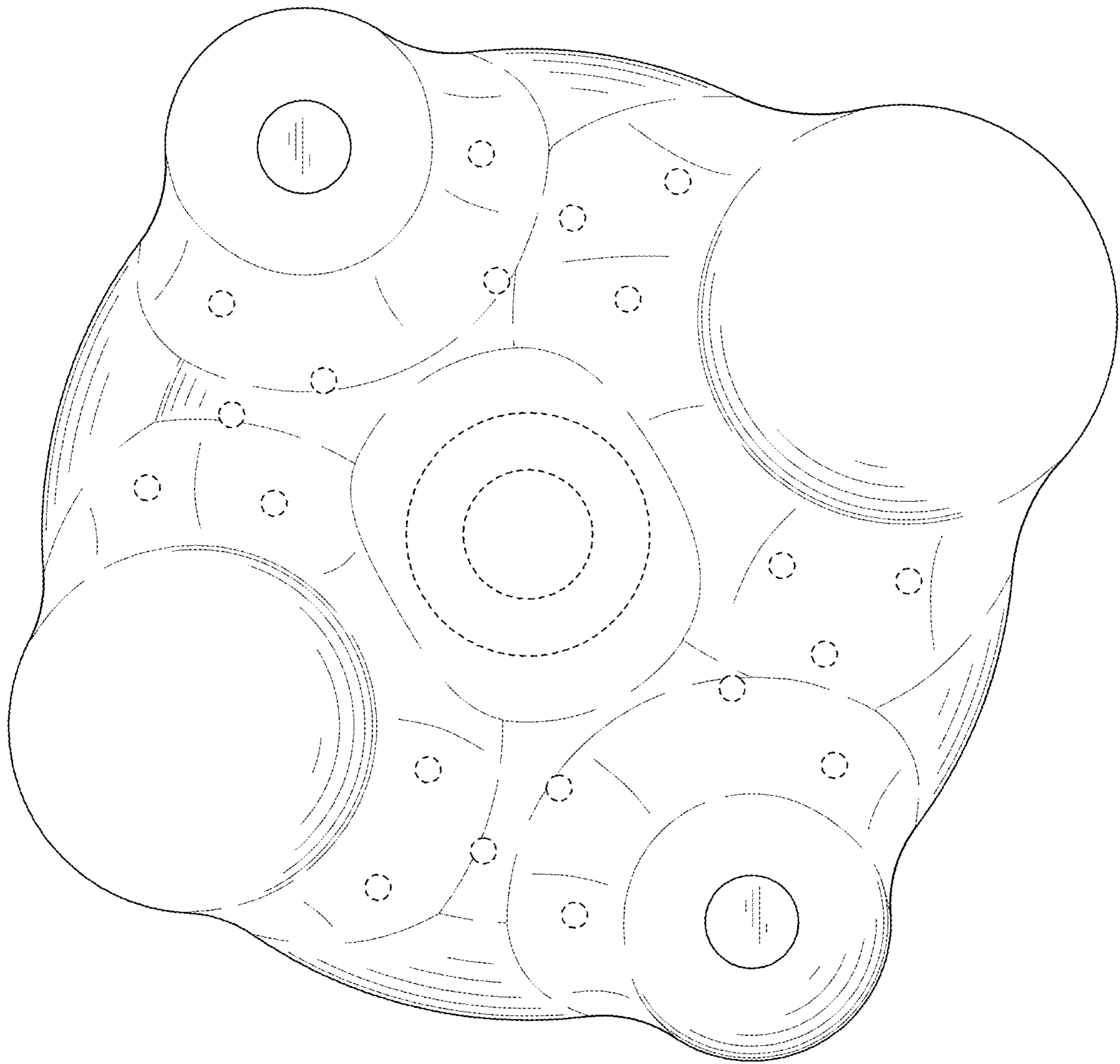


FIG. 8