



US00D982162S

(12) **United States Design Patent**
Jiang

(10) **Patent No.:** **US D982,162 S**

(45) **Date of Patent:** **** Mar. 28, 2023**

(54) **PORTABLE OXYGEN CONCENTRATOR**

(71) Applicant: **Kunshan Songcan Electronic
Commerce Co., Ltd., Jiangsu (CN)**

(72) Inventor: **Song Jiang, Shanghai (CN)**

(**) Term: **15 Years**

(21) Appl. No.: **29/850,650**

(22) Filed: **Aug. 22, 2022**

(51) **LOC (14) Cl.** **24-02**

(52) **U.S. Cl.**
USPC **D24/164**

(58) **Field of Classification Search**
USPC D24/164, 201
CPC B01D 53/0407; B01D 53/04
See application file for complete search history.

(56) **References Cited**

U.S. PATENT DOCUMENTS

4,502,873	A	*	3/1985	Mottram	B01D 53/04 417/269
4,826,510	A	*	5/1989	McCombs	B01D 53/0407 55/357
D471,982	S	*	3/2003	Cheng	D24/164
D490,155	S	*	5/2004	Nakamura	D24/164
D513,074	S	*	12/2005	Nakamura	D24/164
D528,212	S	*	9/2006	Conway	D24/164
D550,360	S	*	9/2007	McCombs	D24/164
D606,655	S	*	12/2009	Wilkinson	D24/164

D607,107	S	*	12/2009	McCombs	D24/164
D642,273	S	*	7/2011	McCombs	D24/164
D693,005	S	*	11/2013	Nawata	D24/164
D700,701	S	*	3/2014	Taylor	D24/164
D835,290	S	*	12/2018	Galvin	D24/201
D854,161	S	*	7/2019	Suda	D24/164
D860,459	S	*	9/2019	Burgess	D24/164
D861,874	S	*	10/2019	Hirano	D24/164
D930,835	S		9/2021	Taylor et al.		

* cited by examiner

Primary Examiner — Rhea Shields

(74) *Attorney, Agent, or Firm* — Che-Yang Chen; Law
Office of Michael Chen

(57) **CLAIM**

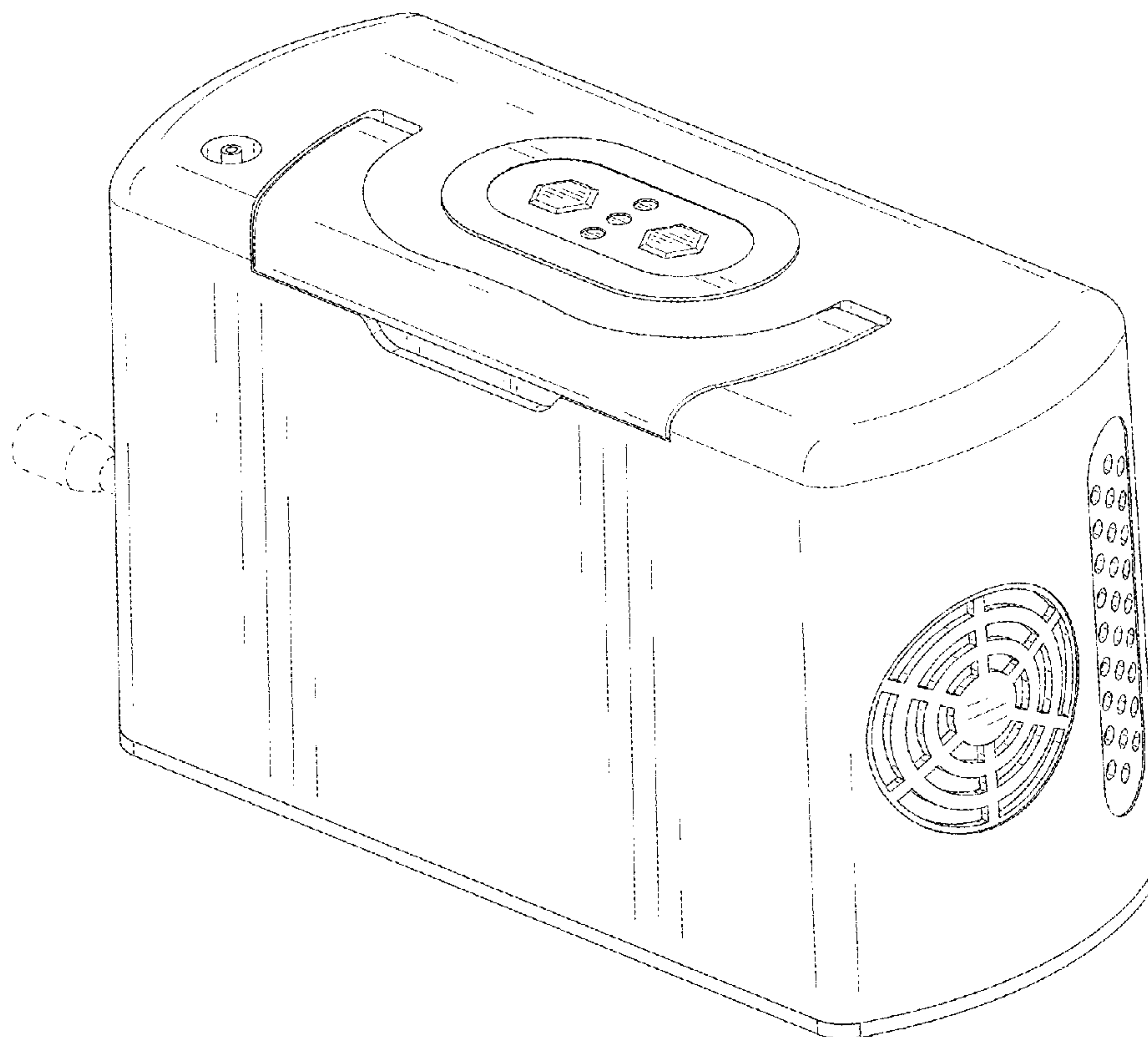
The ornamental design for a portable oxygen concentrator,
as shown and described.

DESCRIPTION

FIG. 1 is a perspective view of the portable oxygen con-
centrator showing my new design;
FIG. 2 is a perspective view thereof from another angle;
FIG. 3 is a front elevational view thereof;
FIG. 4 is a rear elevational view thereof;
FIG. 5 is a left side elevational view thereof;
FIG. 6 is a right side elevational view thereof;
FIG. 7 is a top plan view thereof; and,
FIG. 8 is a bottom plan view thereof.

The broken lines shown in the drawings represent portions
of the portable oxygen concentrator that form no part of the
claimed design.

1 Claim, 8 Drawing Sheets



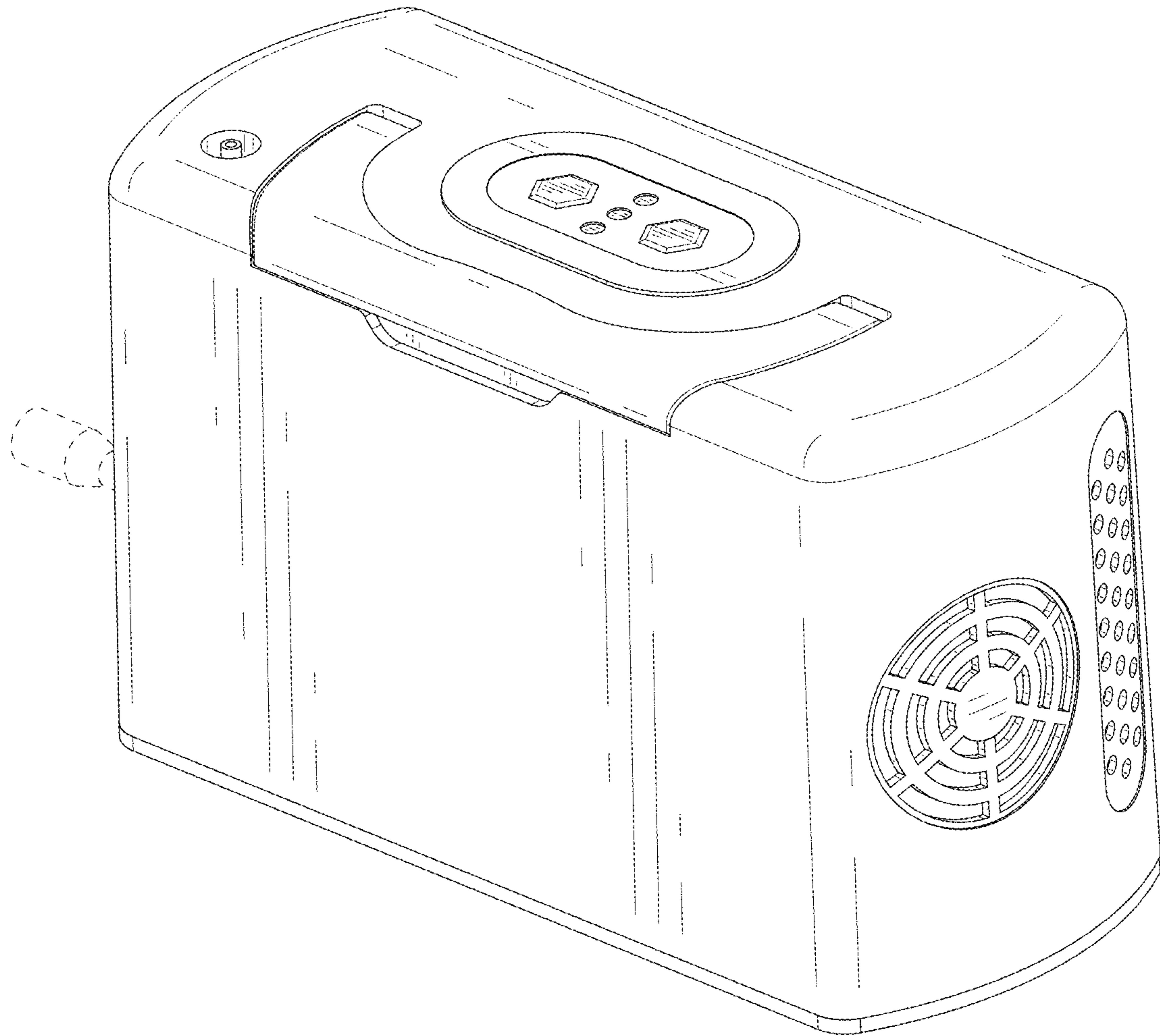


FIG. 1

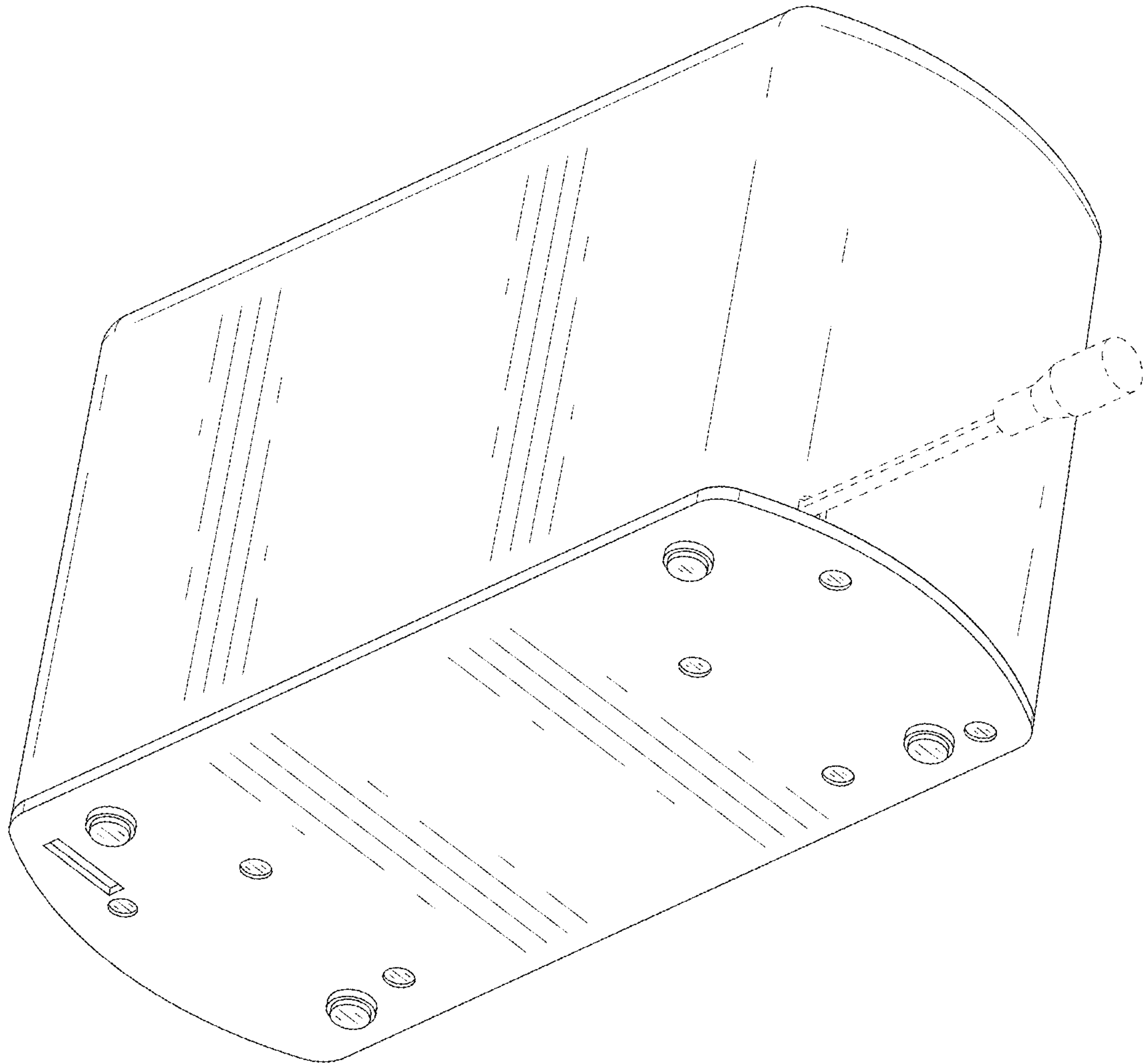


FIG. 2

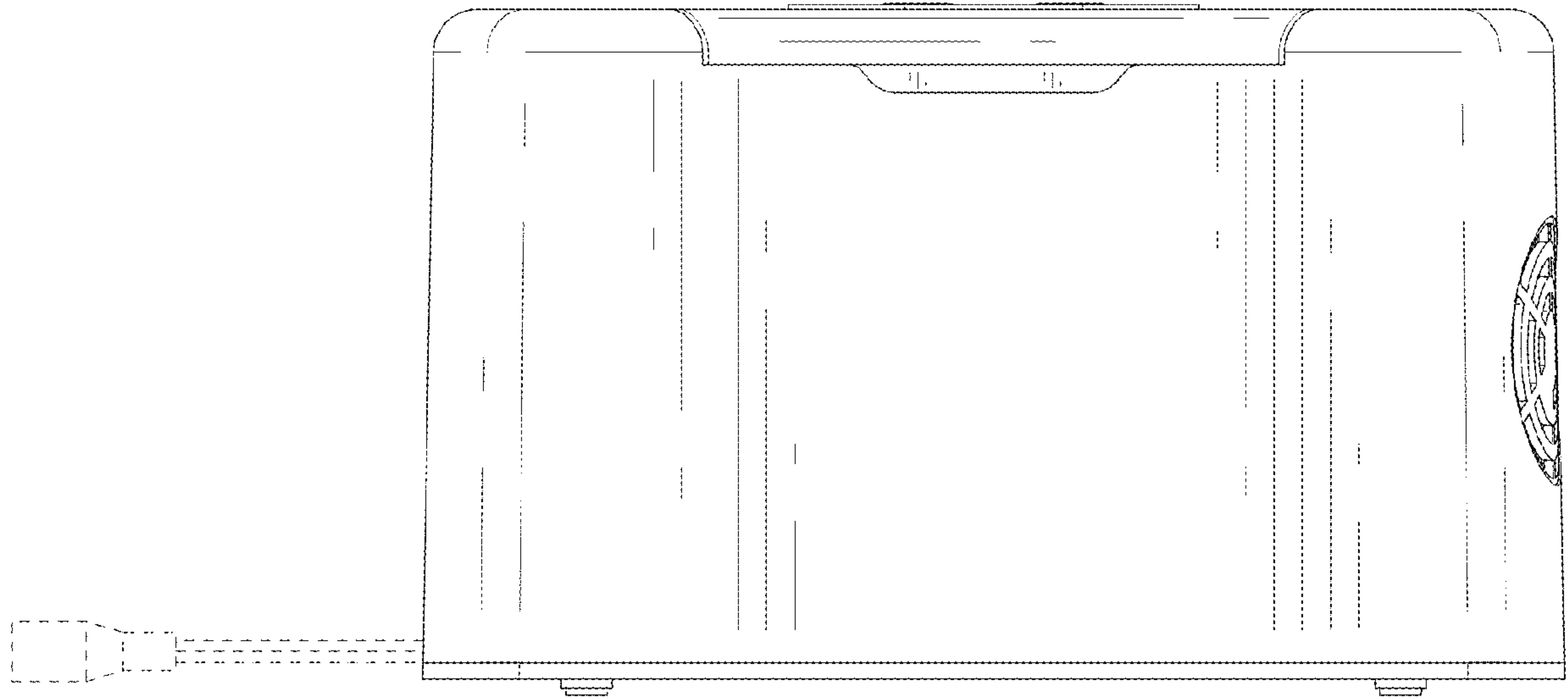


FIG. 3

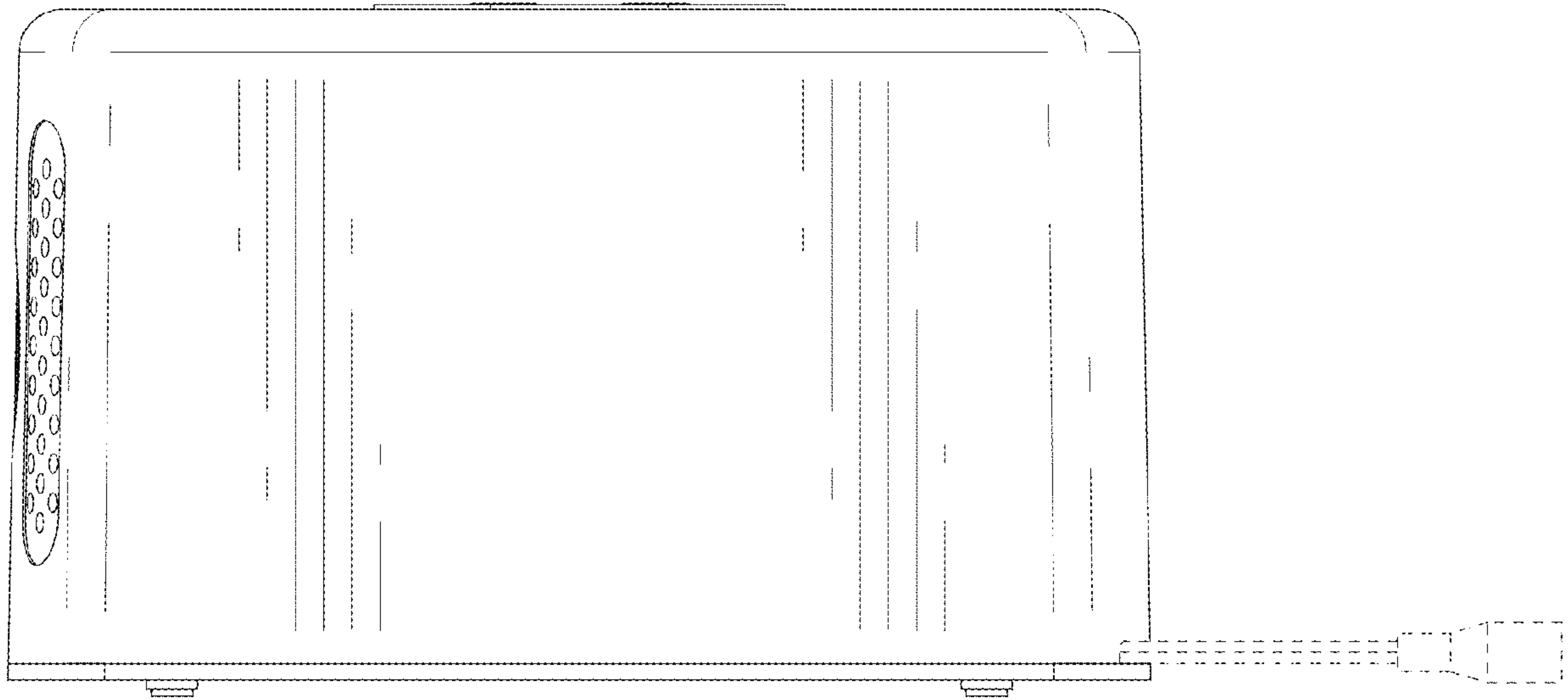


FIG. 4

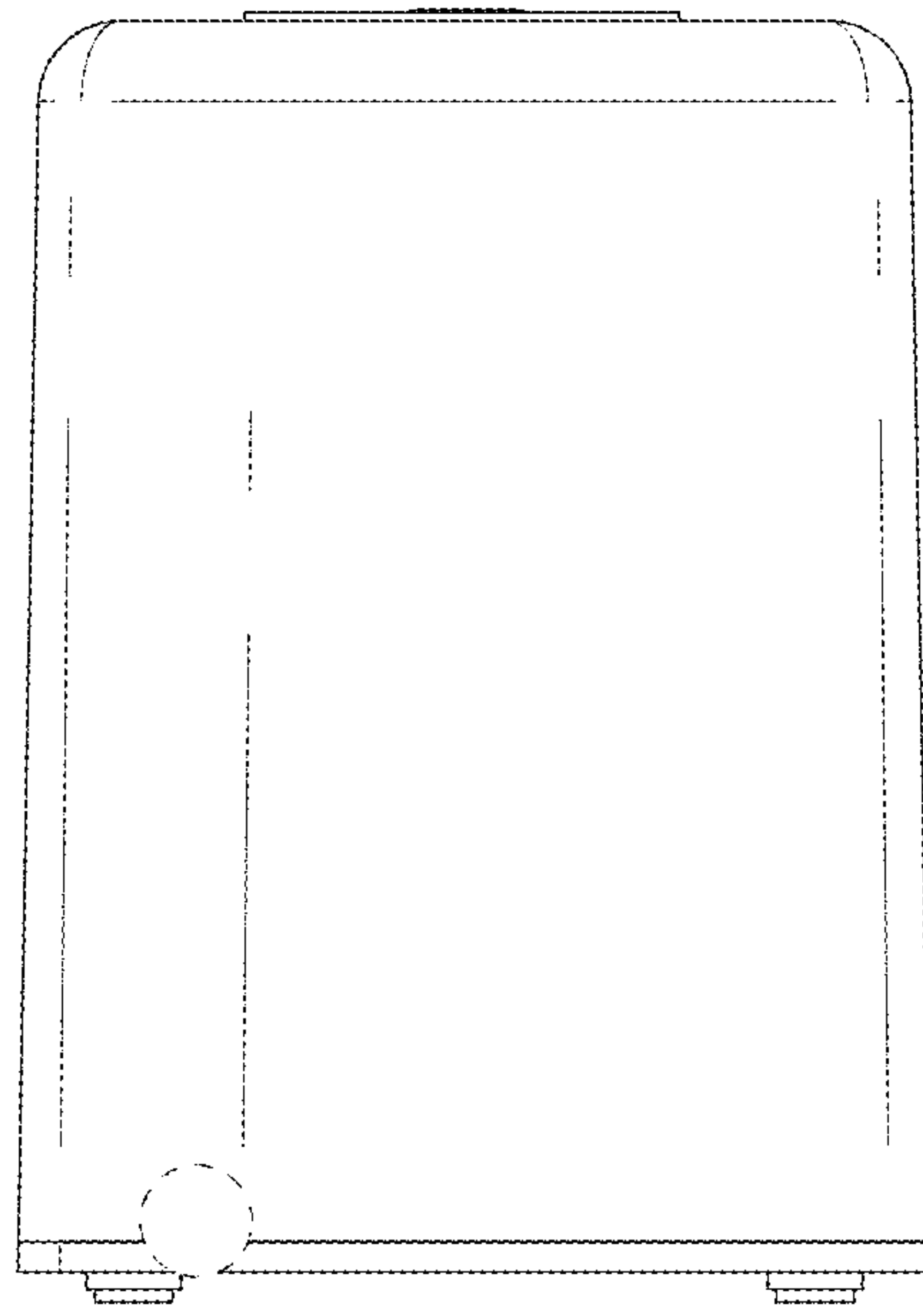


FIG. 5

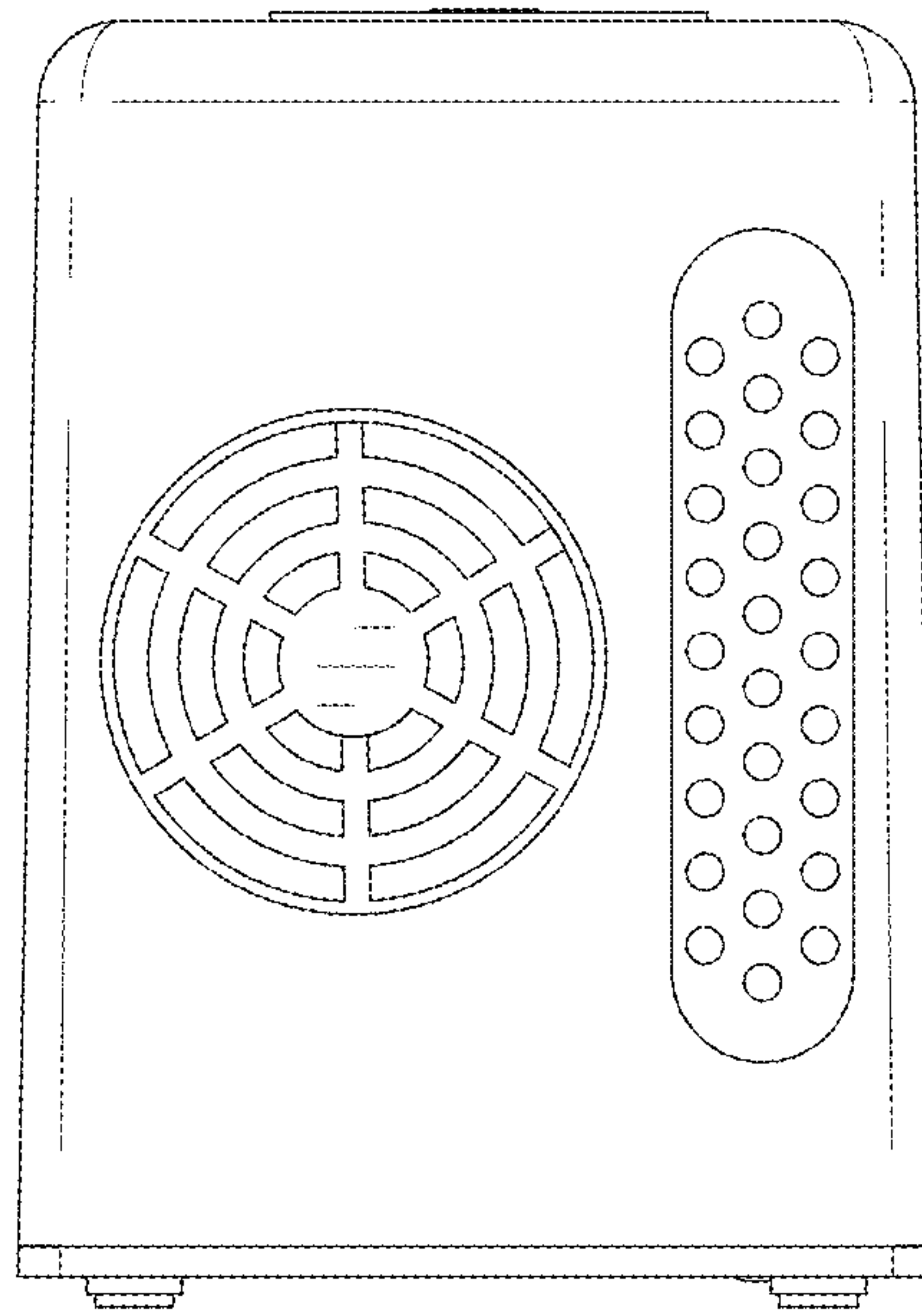


FIG. 6

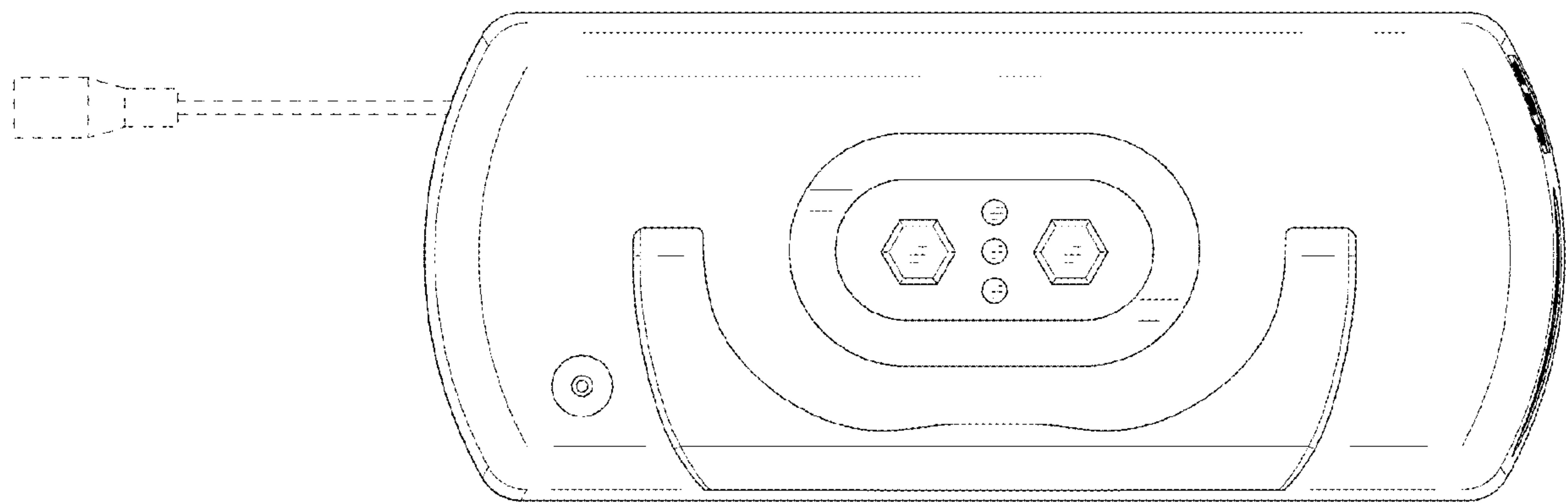


FIG. 7

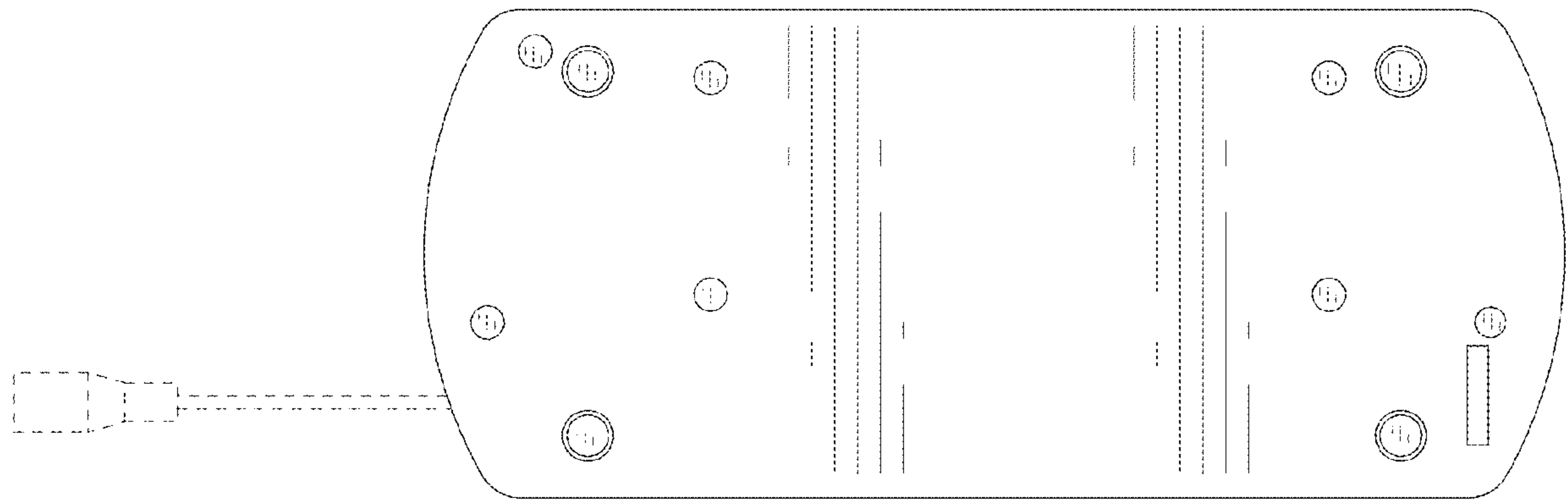


FIG. 8