



US00D982161S

(12) **United States Design Patent**  
**Achleitner et al.**

(10) **Patent No.:** **US D982,161 S**  
(45) **Date of Patent:** **\*\* Mar. 28, 2023**

(54) **MEDICAL IMAGING DEVICE**  
(71) Applicant: **Siemens Healthcare GmbH**, Erlangen (DE)  
(72) Inventors: **Roman Achleitner**, Nuremberg (DE);  
**Stefanie Gügel-Wild**, Langensendelbach (DE)  
(73) Assignee: **Siemens Healthcare GmbH**, Erlangen (DE)  
(\*\*) Term: **15 Years**  
(21) Appl. No.: **29/798,724**  
(22) Filed: **Jul. 9, 2021**

*Primary Examiner* — Anhdao Doan  
(74) *Attorney, Agent, or Firm* — Banner & Witcoff Ltd.

(30) **Foreign Application Priority Data**

Jun. 14, 2021 (EM) ..... 008576300-0001  
Jun. 14, 2021 (EM) ..... 008576300-0002  
Jun. 14, 2021 (EM) ..... 008576300-0003  
Jun. 14, 2021 (EM) ..... 008576300-0004  
Jun. 14, 2021 (EM) ..... 008576300-0005  
Jun. 14, 2021 (EM) ..... 008576300-0006

(57) **CLAIM**

The ornamental design for a medical imaging device, as shown and described.

(51) **LOC (14) Cl.** ..... **24-01**  
(52) **U.S. Cl.**  
USPC ..... **D24/158**

**DESCRIPTION**

(58) **Field of Classification Search**  
USPC ..... D24/107, 158–160, 185, 186, 183, 184  
CPC ..... G01N 2223/1016; G01N 2223/301; G01N 2223/031; G01N 2223/419; G01N 23/046; A61B 5/055  
See application file for complete search history.

FIG. 1 is a front view of a medical imaging device showing our new design;  
FIG. 2 is a back elevational view thereof;  
FIG. 3 is a top plan view thereof;  
FIG. 4 is a bottom plan view thereof;  
FIG. 5 is a left-side elevational view thereof;  
FIG. 6 is a right-side elevational view thereof; and  
FIG. 7 is a top, front, left-hand side perspective view thereof.  
FIG. 8 is a front view of an embodiment of the medical imaging device thereof omitting control panels on the front and back of the device;  
FIG. 9 is a back elevational view thereof;  
FIG. 10 is a top plan view thereof;  
FIG. 11 is a bottom plan view thereof;  
FIG. 12 is a left-side elevational view thereof;  
FIG. 13 is a right-side elevational view thereof; and,  
FIG. 14 is a top, front, left-hand side perspective view thereof.  
FIG. 15 is a front view of an embodiment of the medical imaging device thereof having the colored ornamentation;  
FIG. 16 is a back elevational view thereof;  
FIG. 17 is a top plan view thereof;  
FIG. 18 is a bottom plan view thereof;  
FIG. 19 is a left-side elevational view thereof;  
FIG. 20 is a right-side elevational view thereof; and,  
FIG. 21 is a top, front, left-hand side perspective view thereof.

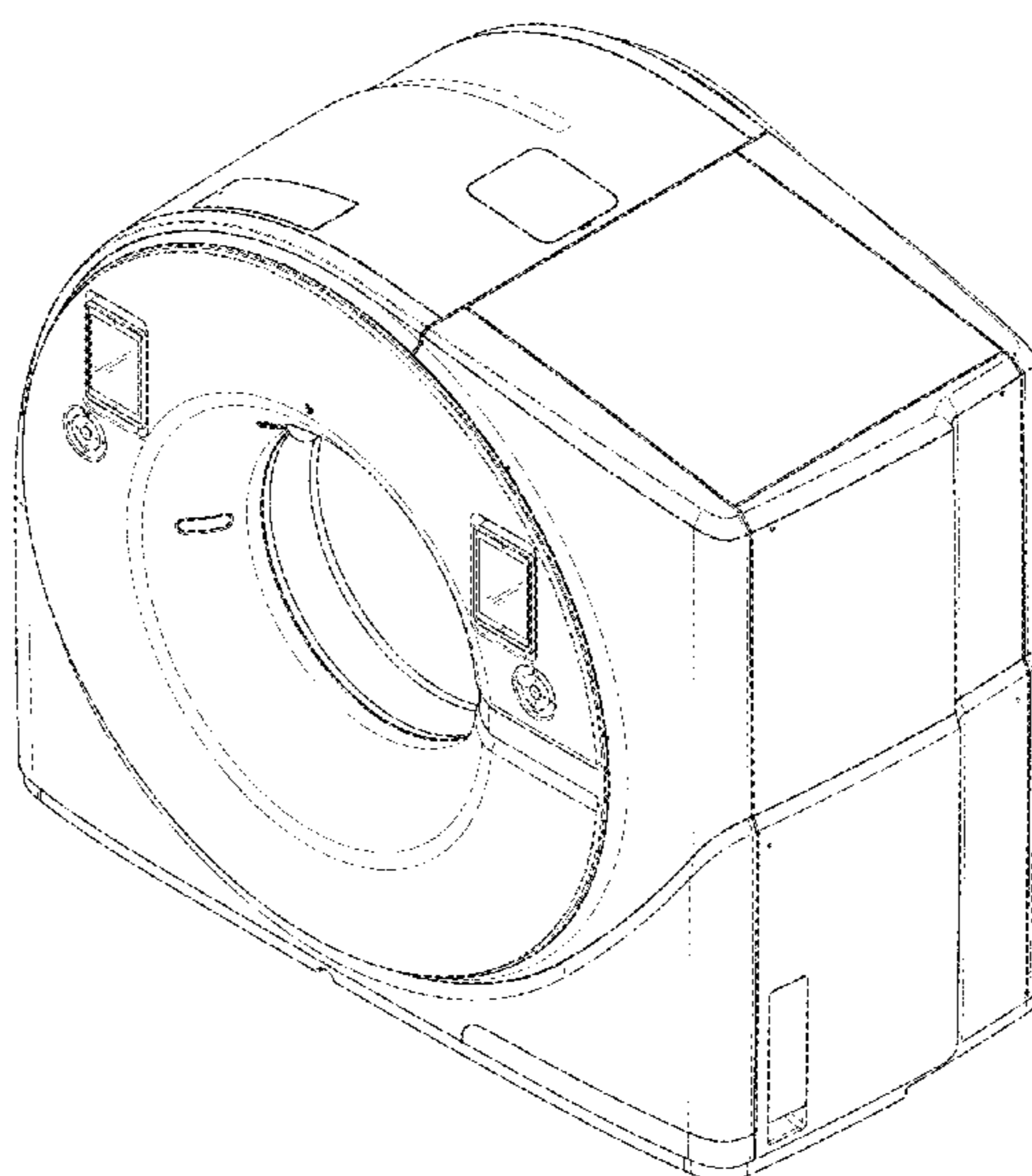
(56) **References Cited**

**U.S. PATENT DOCUMENTS**

D785,006 S \* 4/2017 Ma ..... D14/485  
D842,994 S \* 3/2019 Avranches ..... D24/158  
D843,578 S \* 3/2019 Avranches ..... D24/158  
D866,765 S \* 11/2019 Guegel-Wild ..... D24/158  
D931,463 S \* 9/2021 Achleitner ..... D24/158  
D940,868 S \* 1/2022 Achleitner ..... D24/158

(Continued)

**1 Claim, 21 Drawing Sheets**



(56)

**References Cited**

U.S. PATENT DOCUMENTS

2022/0160918 A1\* 5/2022 Beck ..... A61L 2/10  
2022/0313175 A1\* 10/2022 Hamilton ..... A61B 6/46

\* cited by examiner

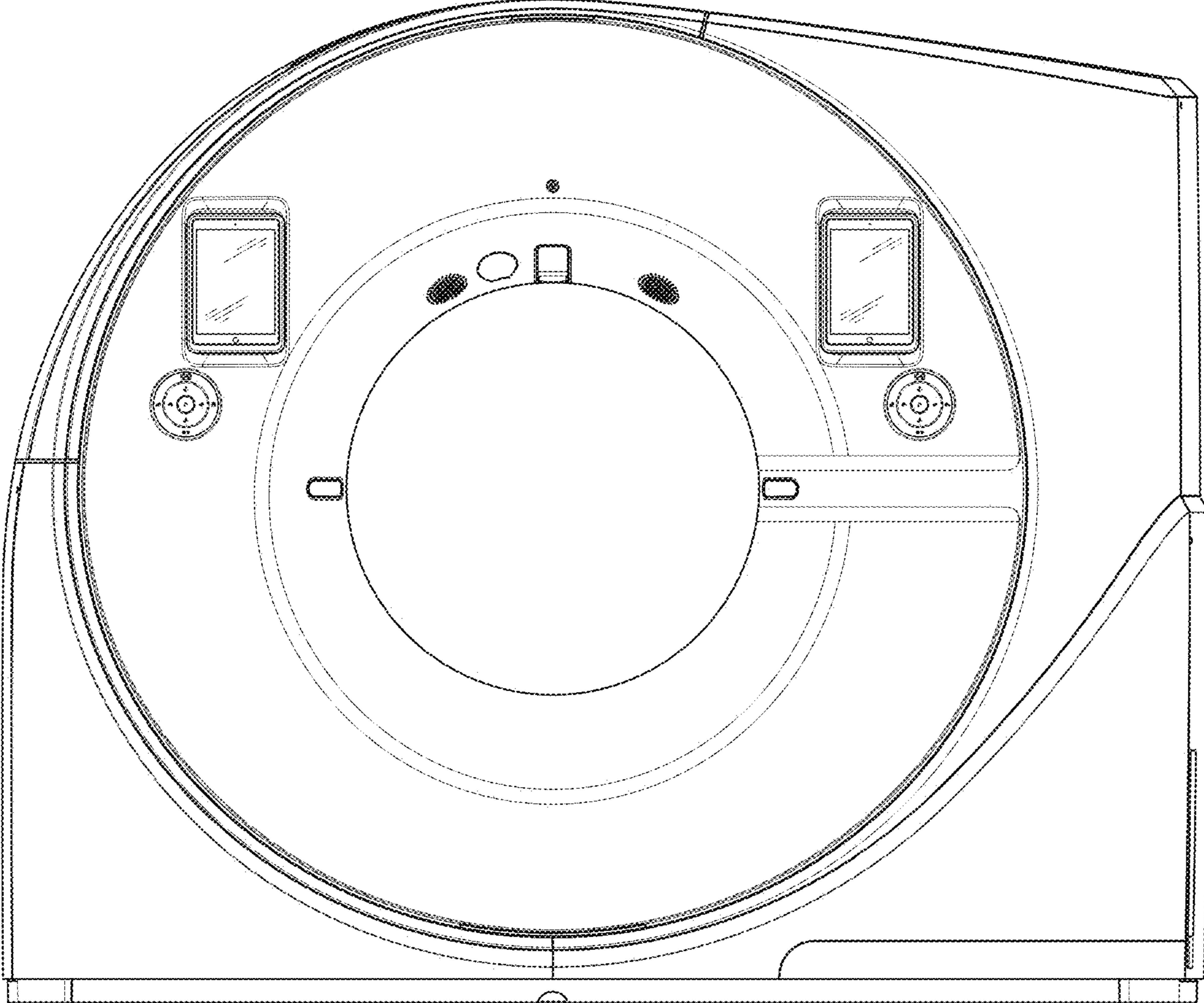


FIG. 1

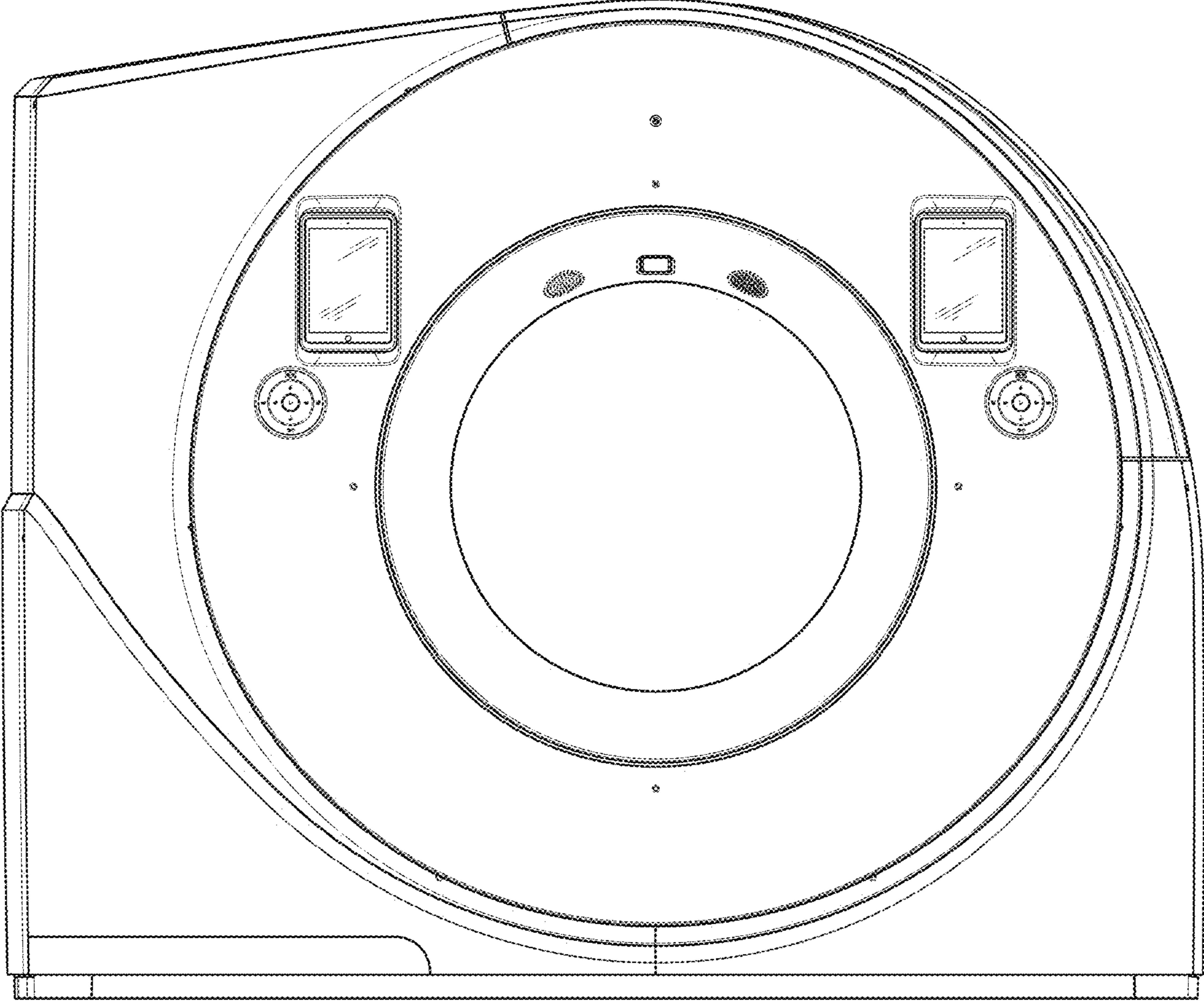


FIG. 2

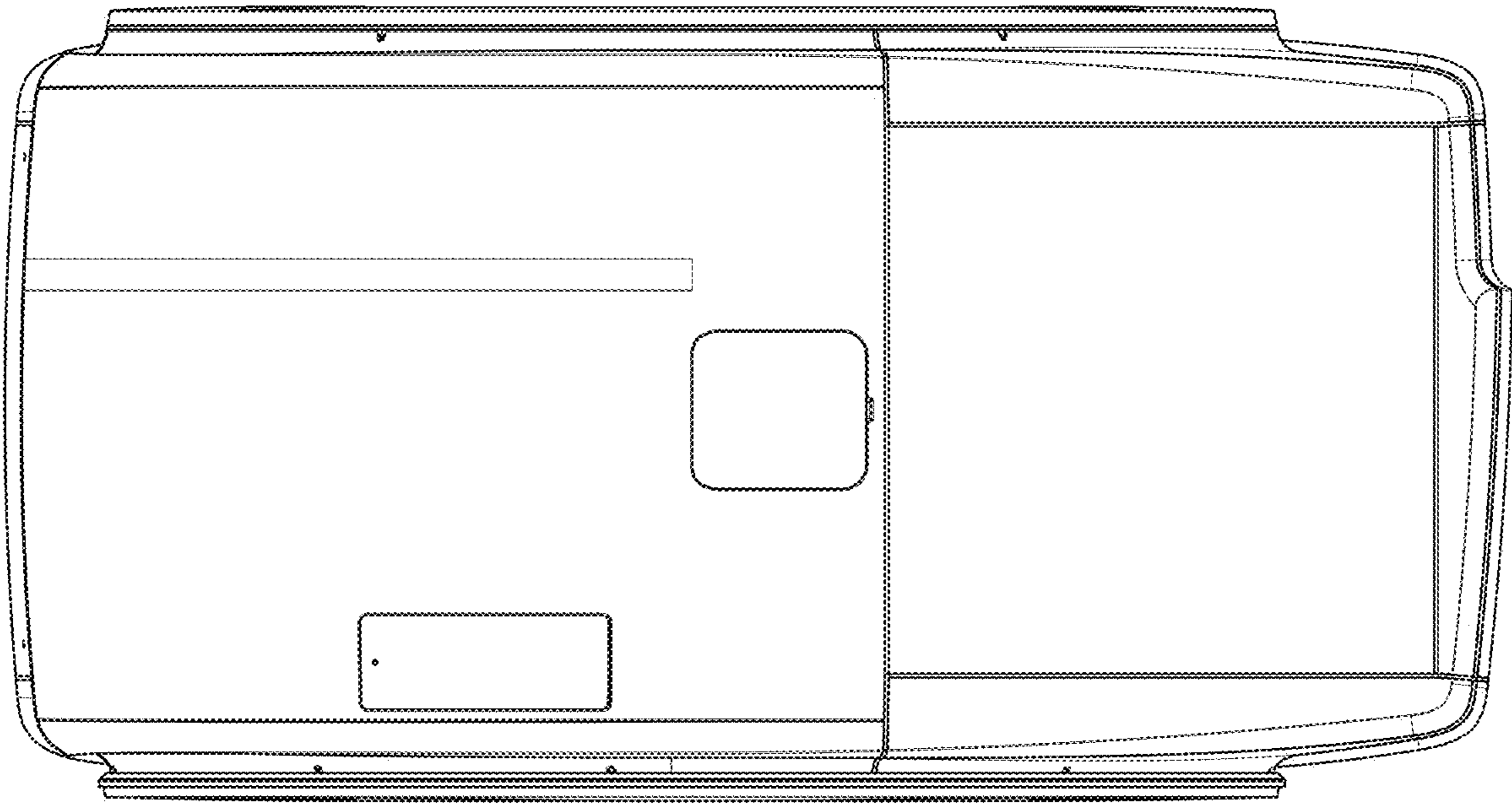


FIG. 3

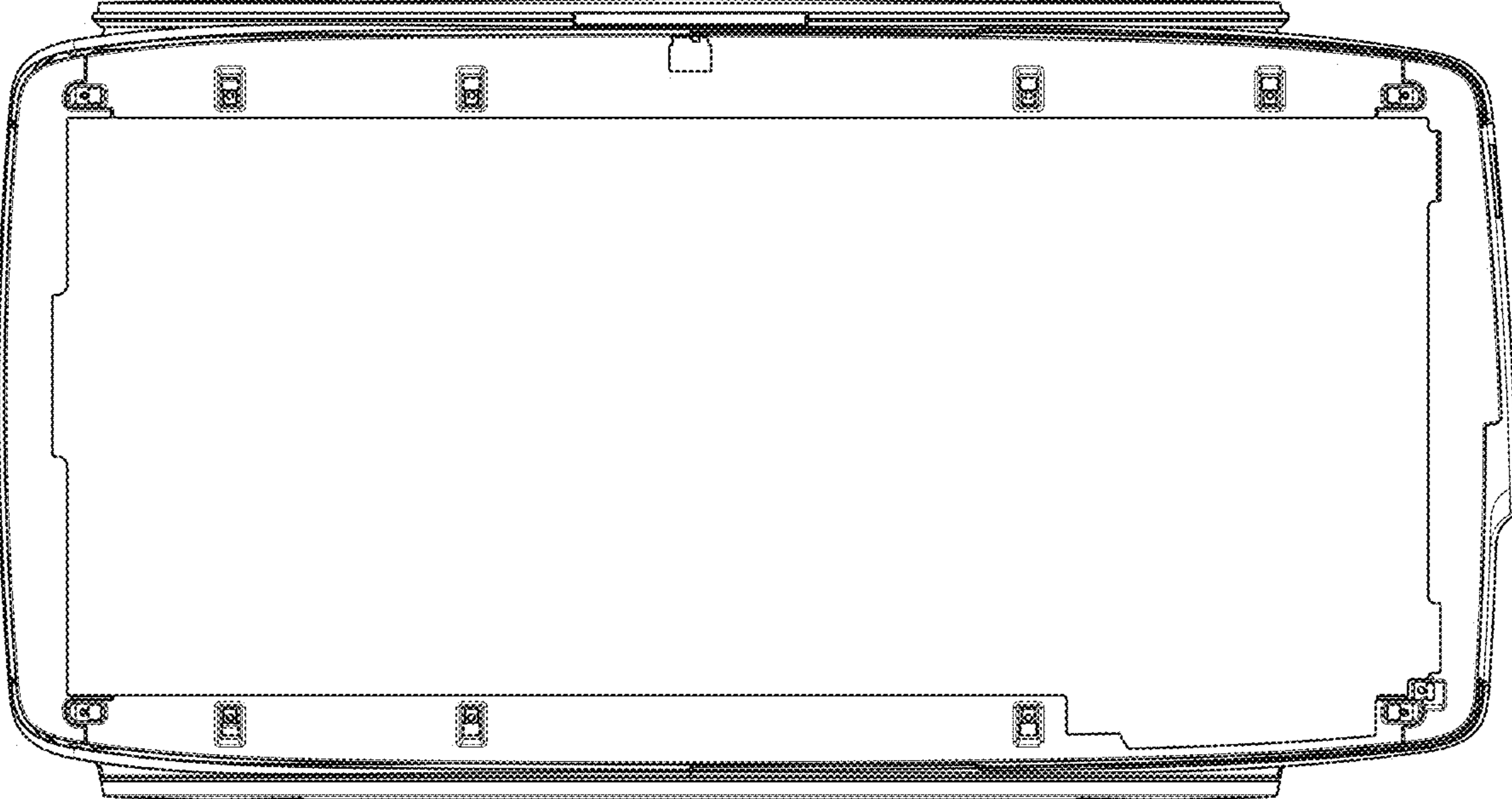


FIG. 4

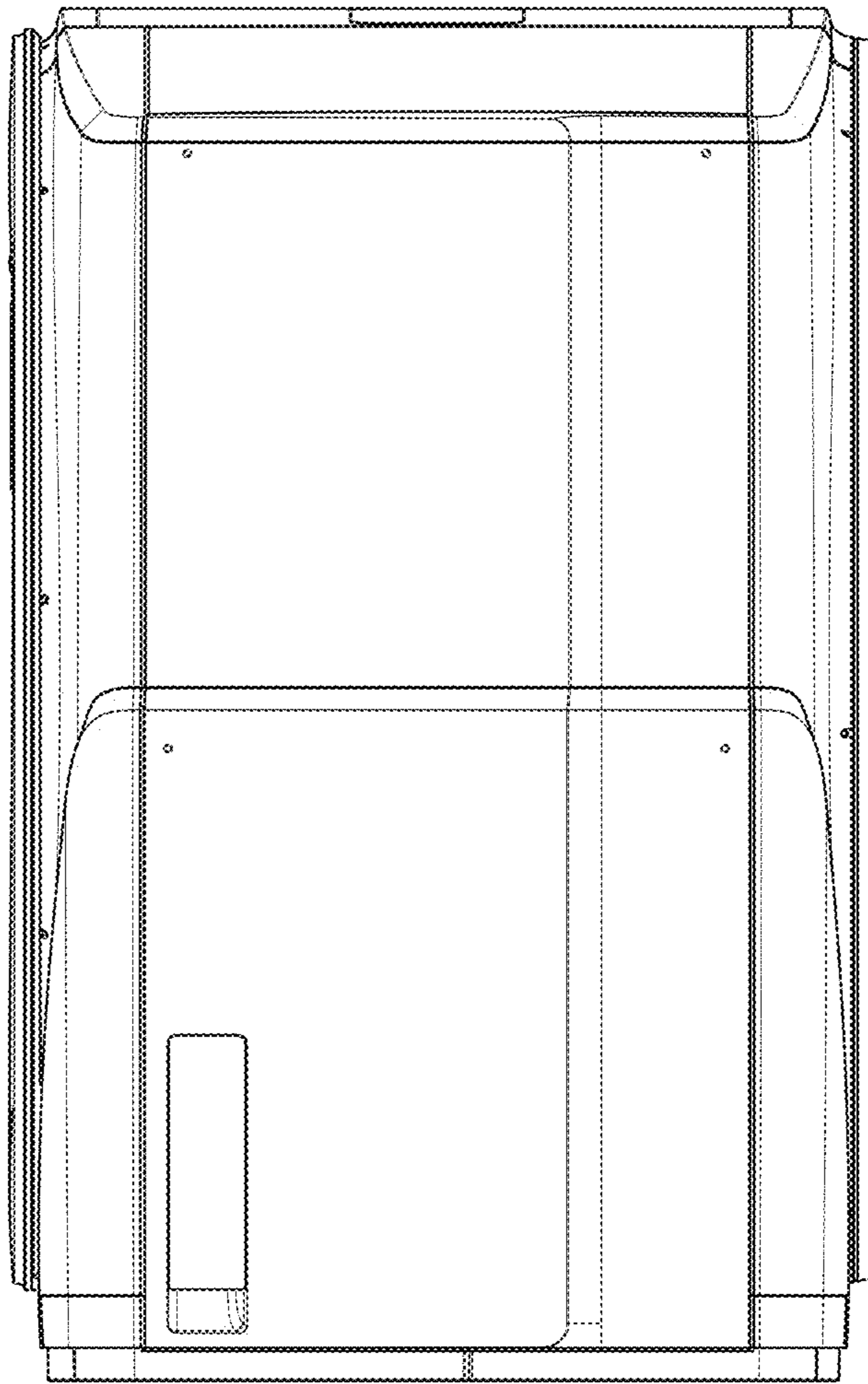


FIG. 5

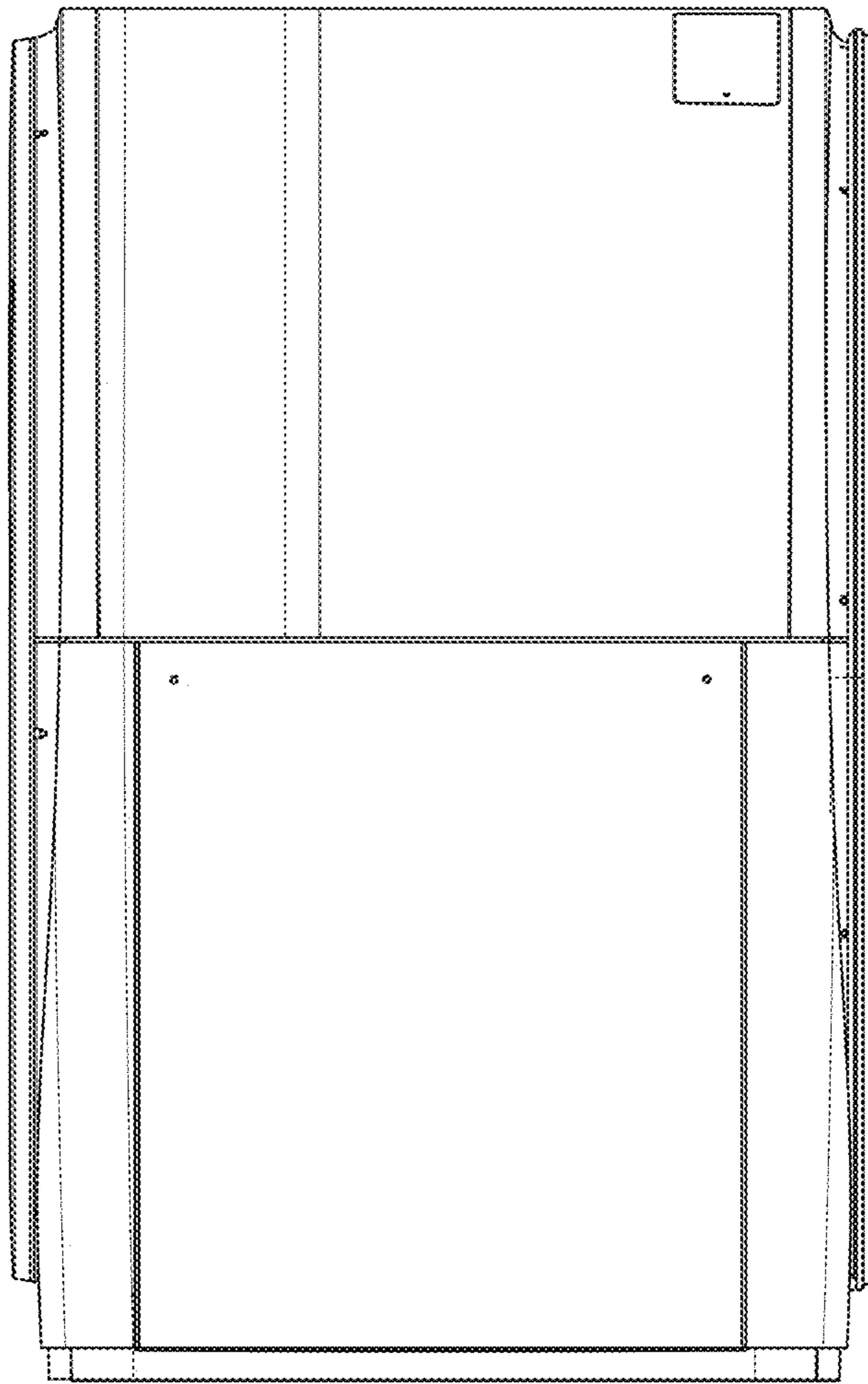


FIG. 6



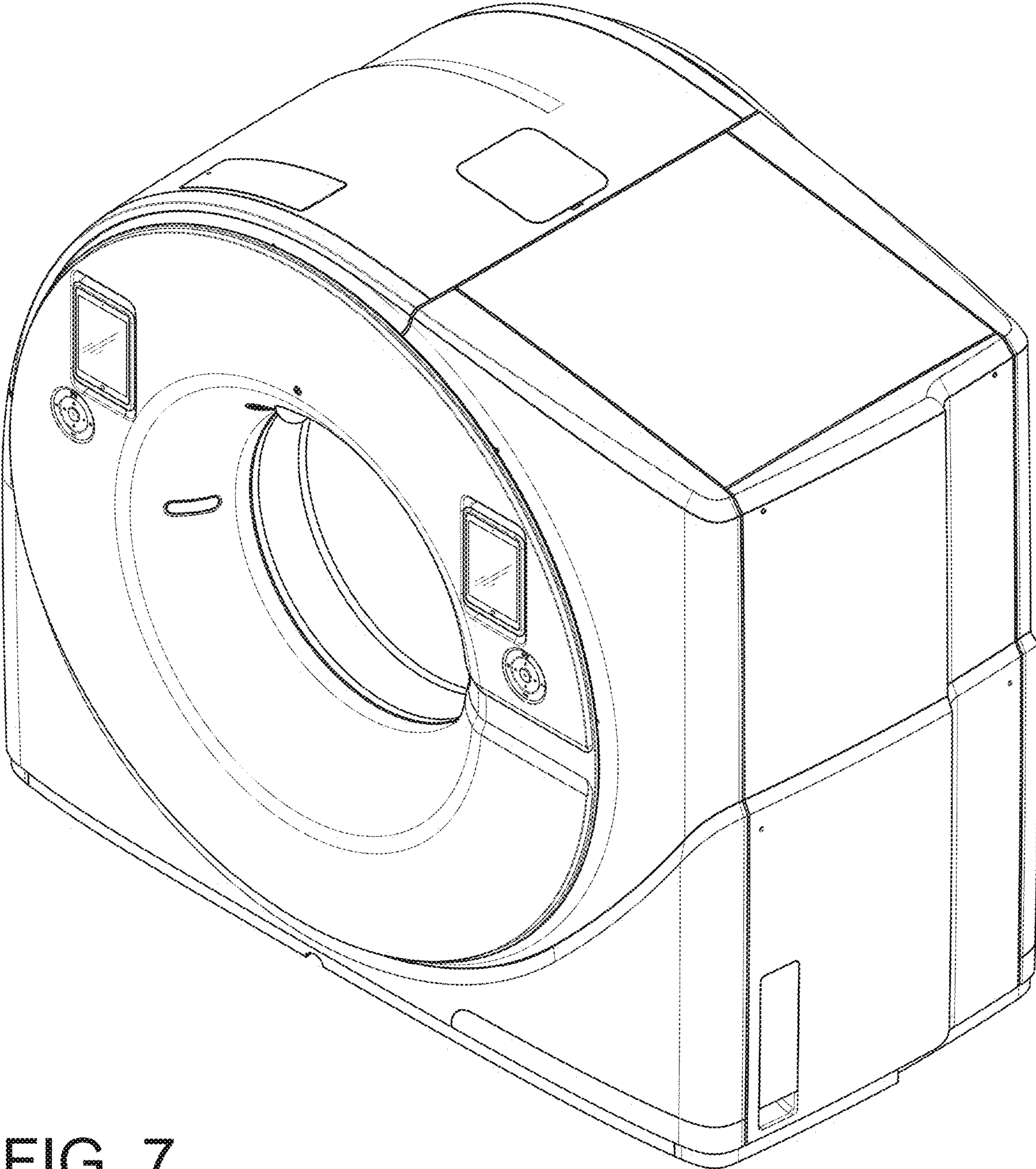


FIG. 7

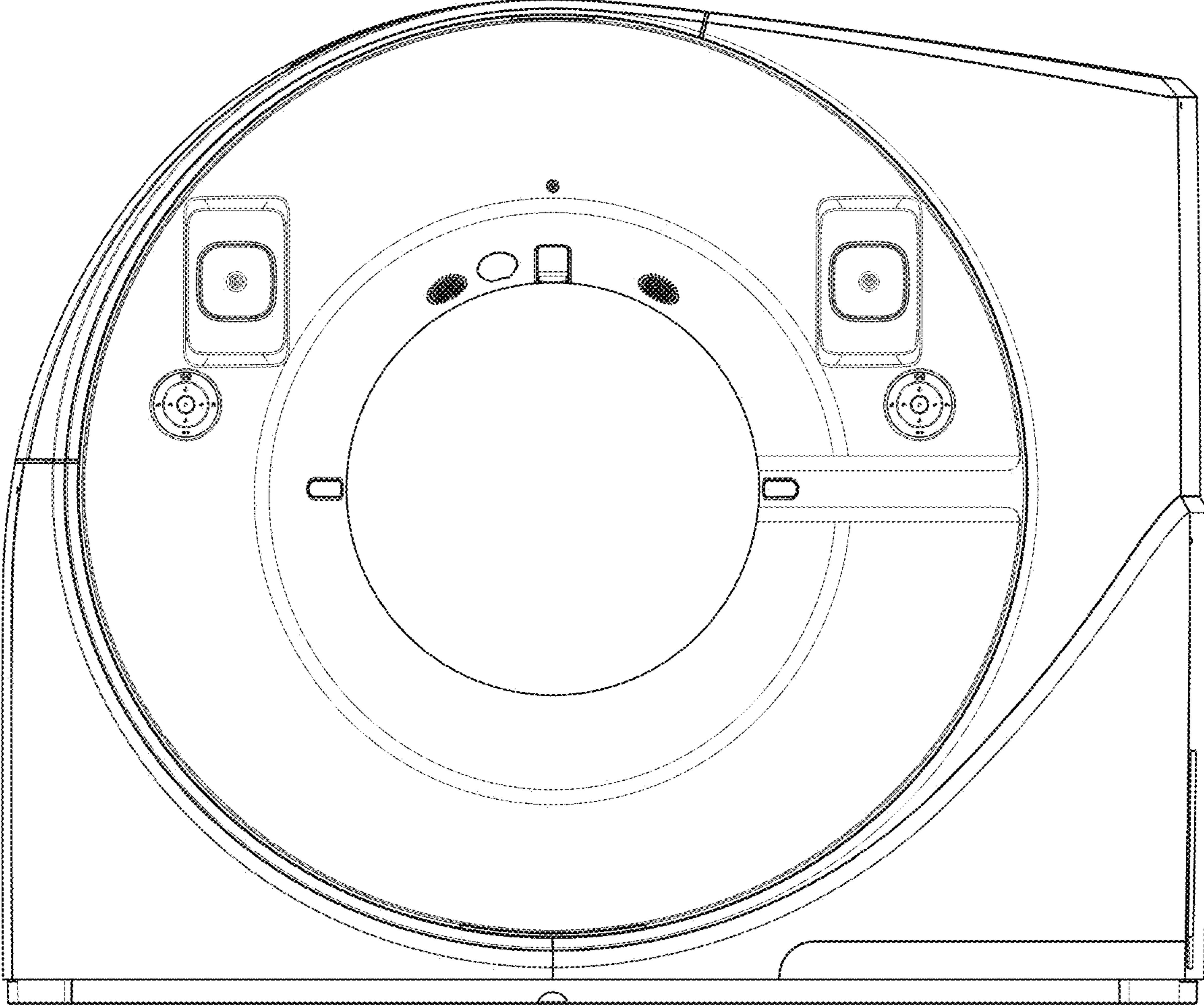


FIG. 8

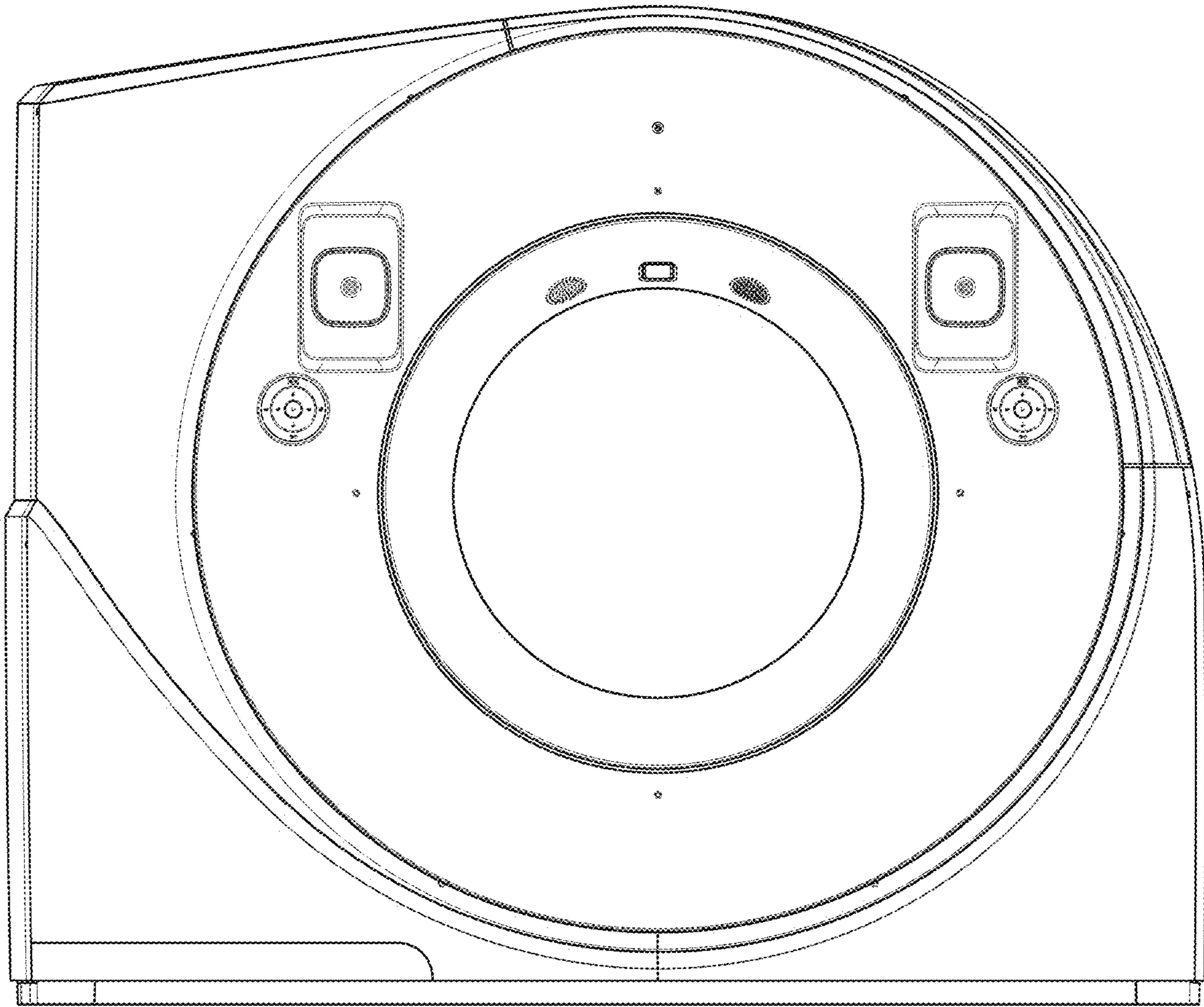


FIG. 9

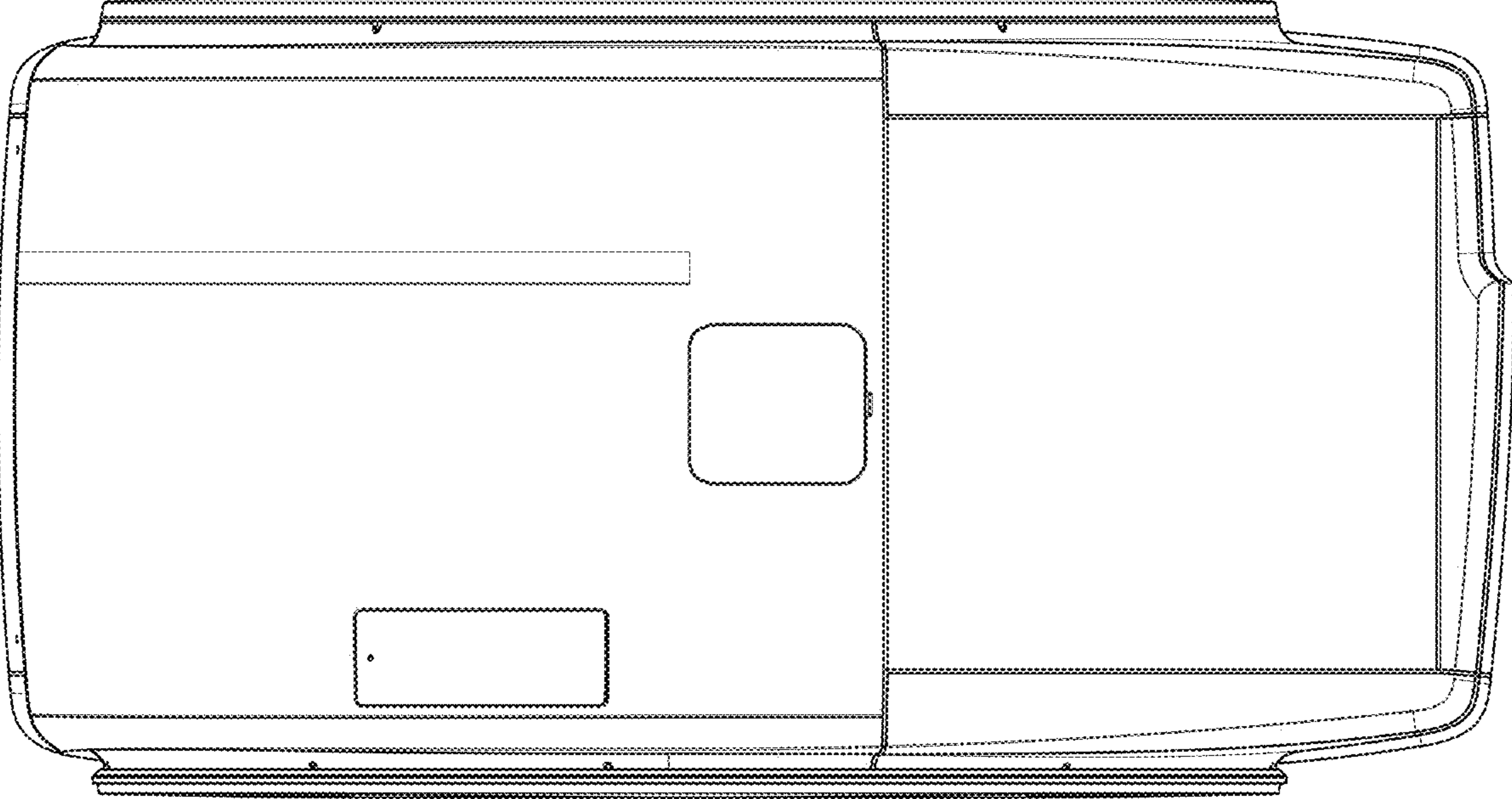


FIG. 10

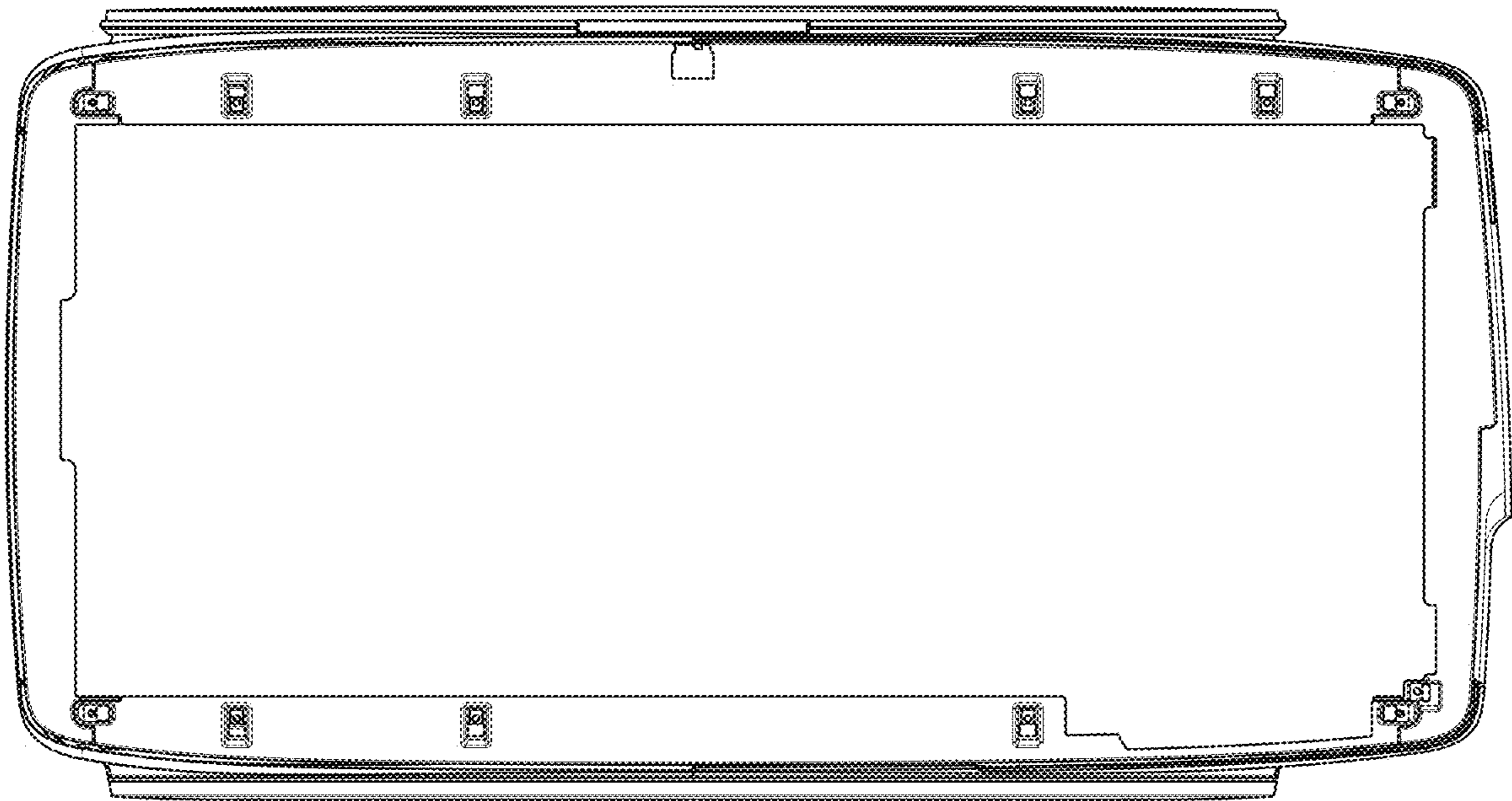


FIG. 11

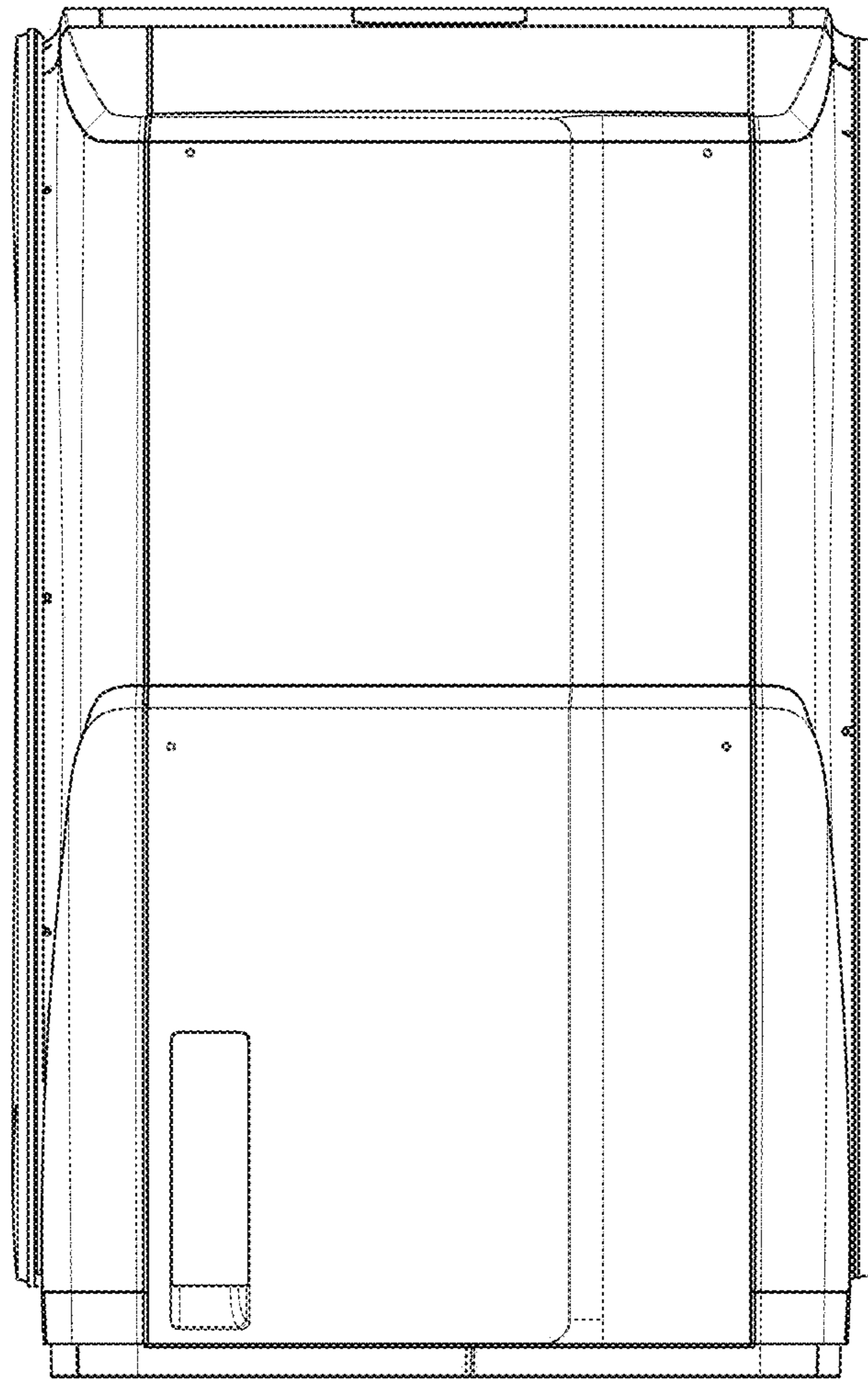


FIG. 12

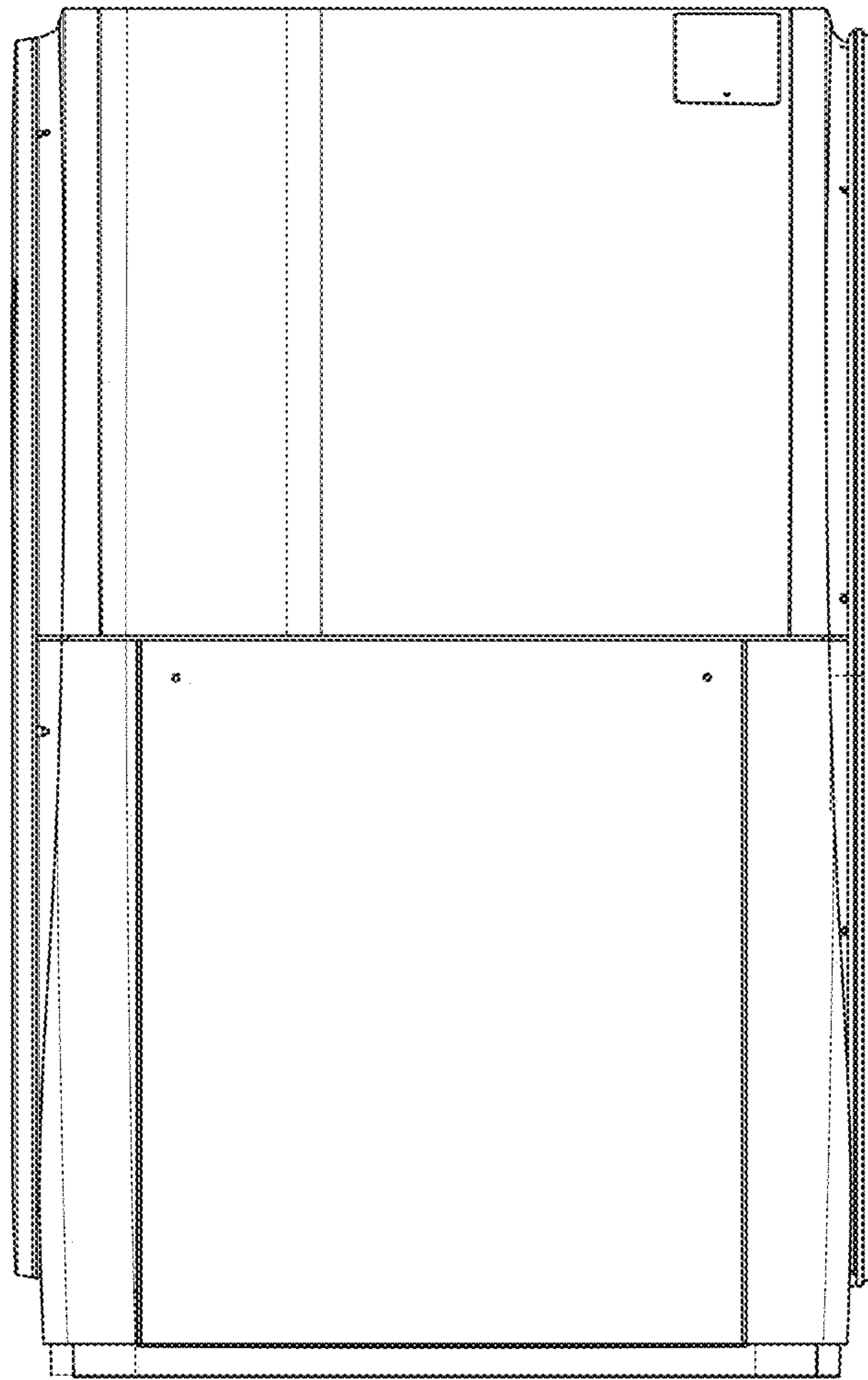


FIG. 13

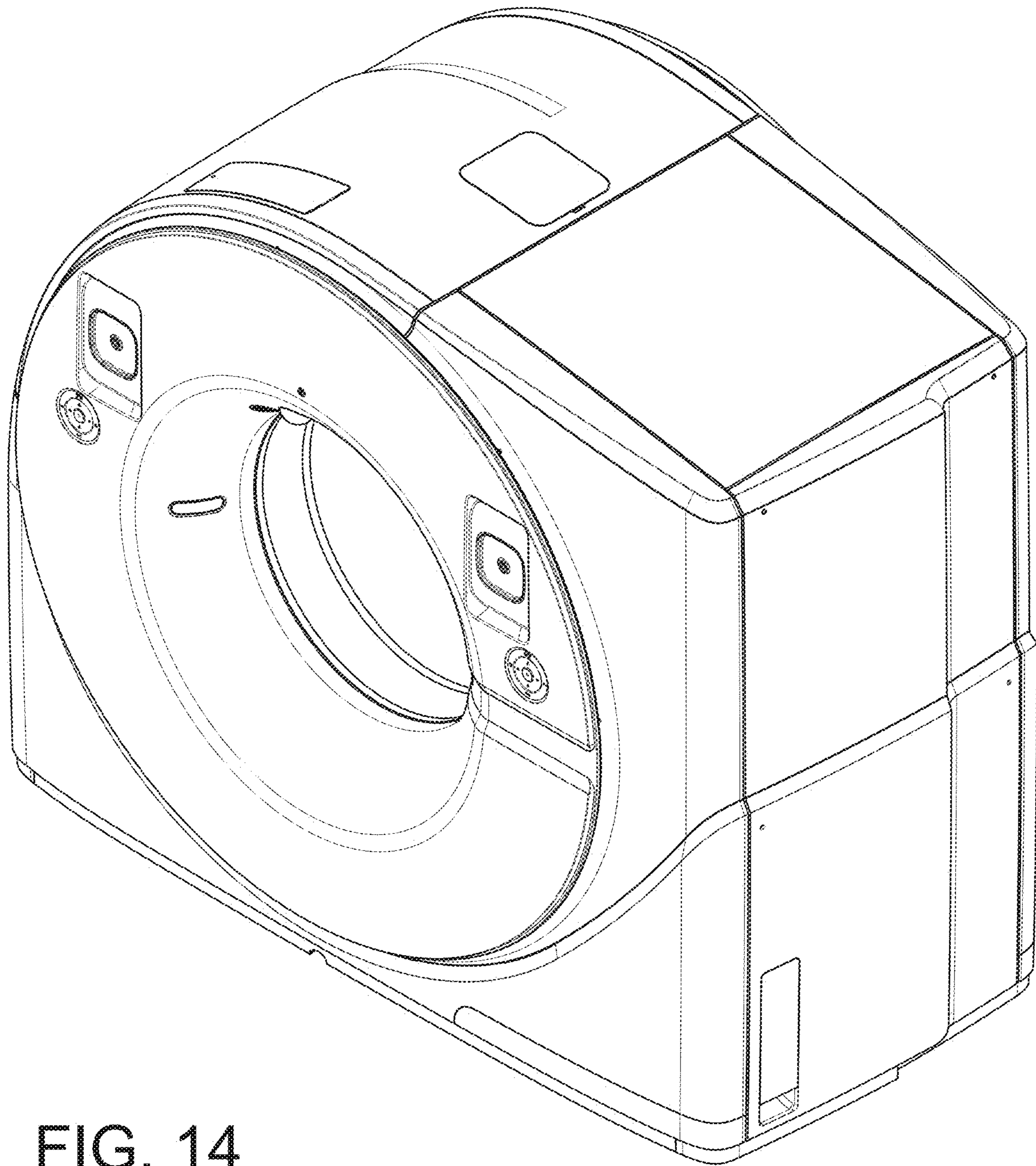


FIG. 14



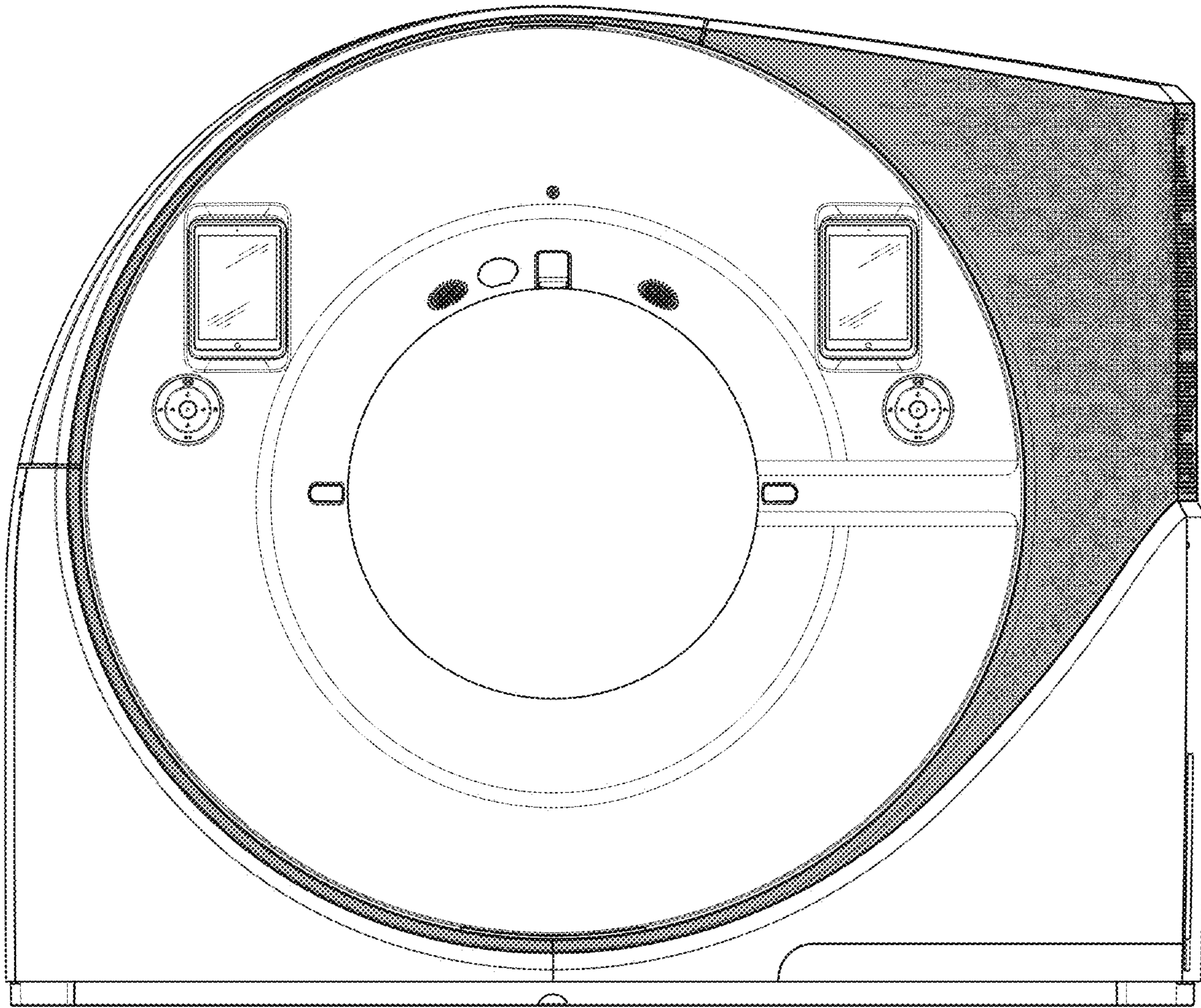


FIG. 15

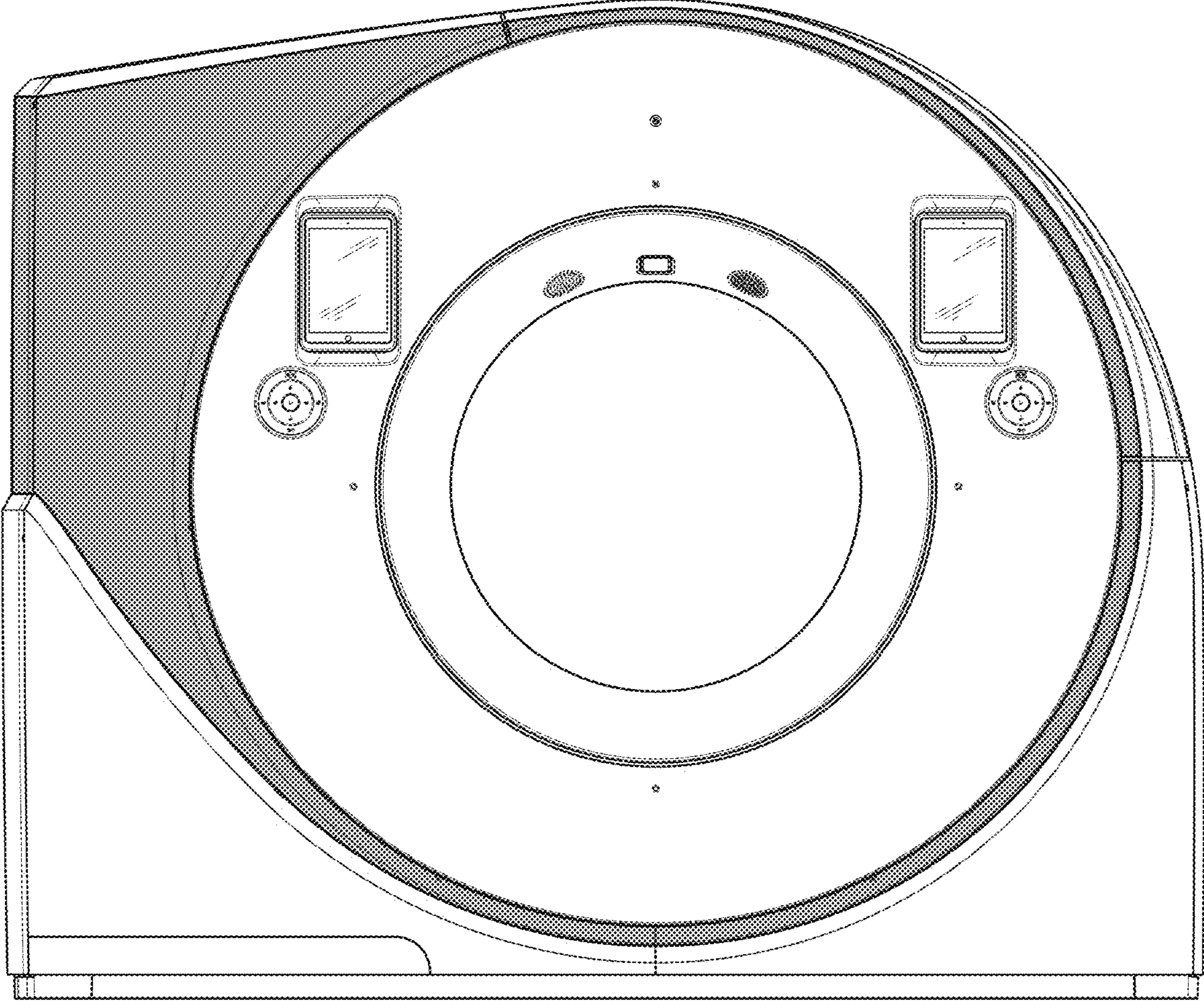


FIG. 16

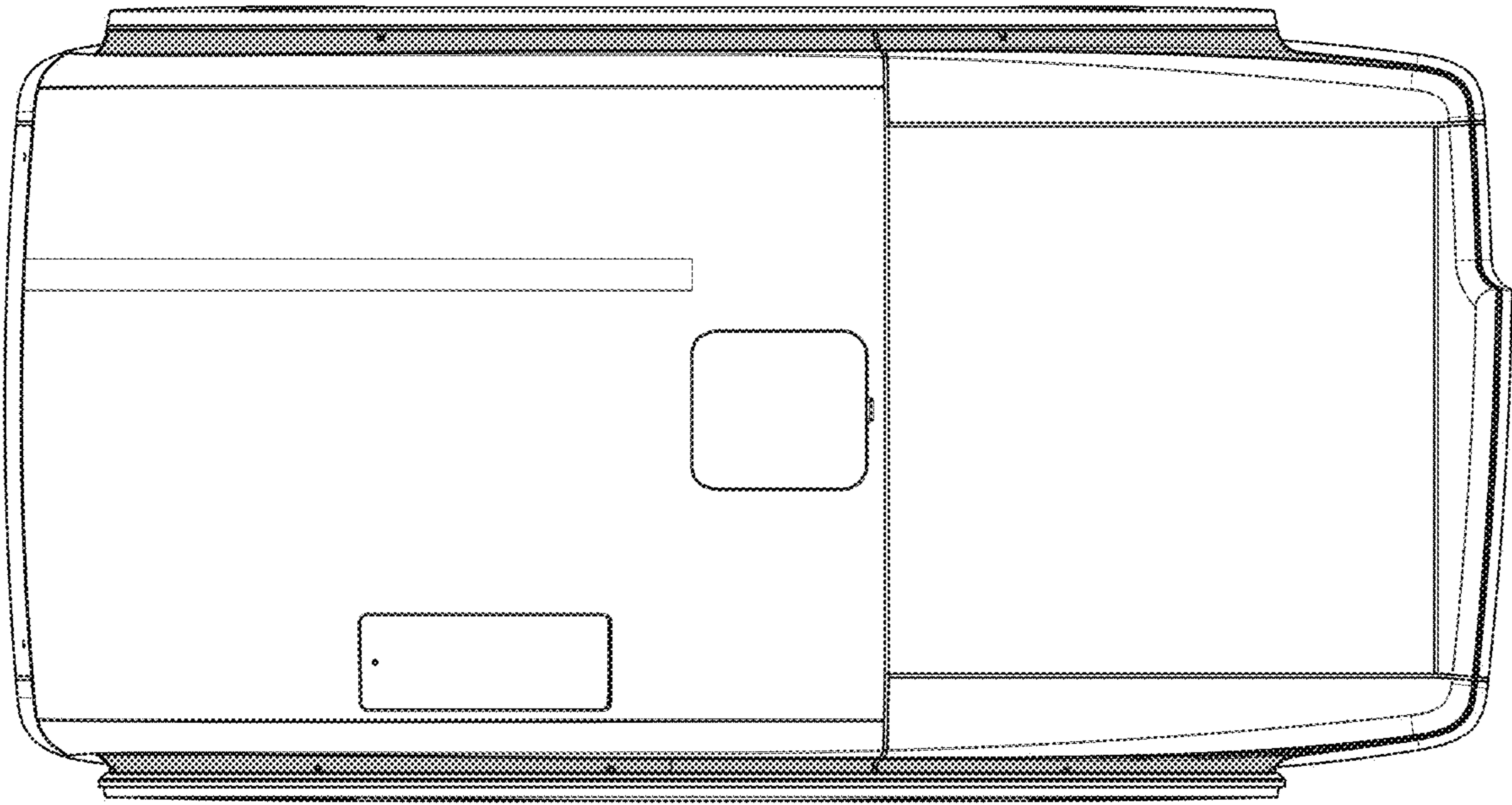


FIG. 17

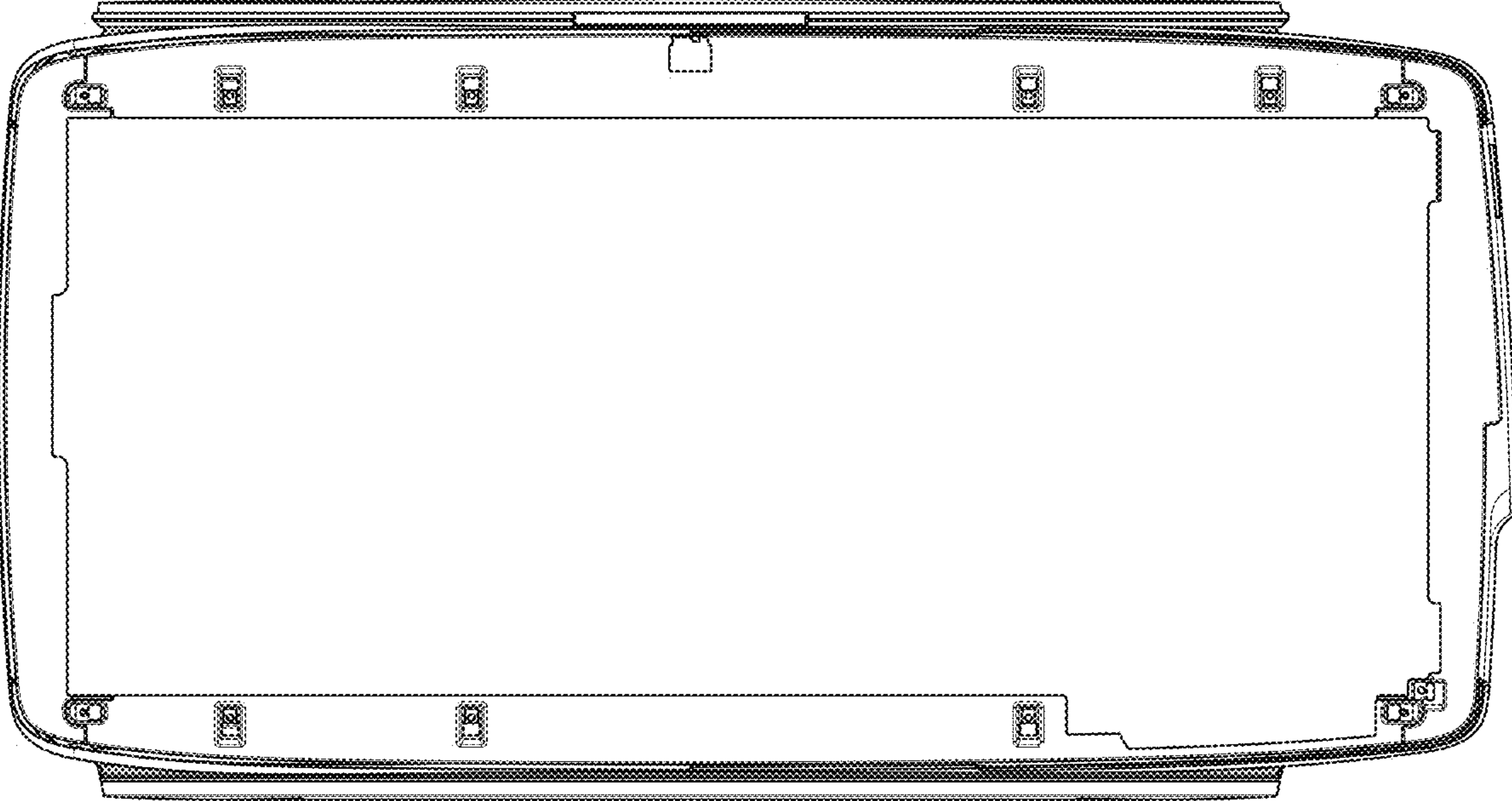


FIG. 18

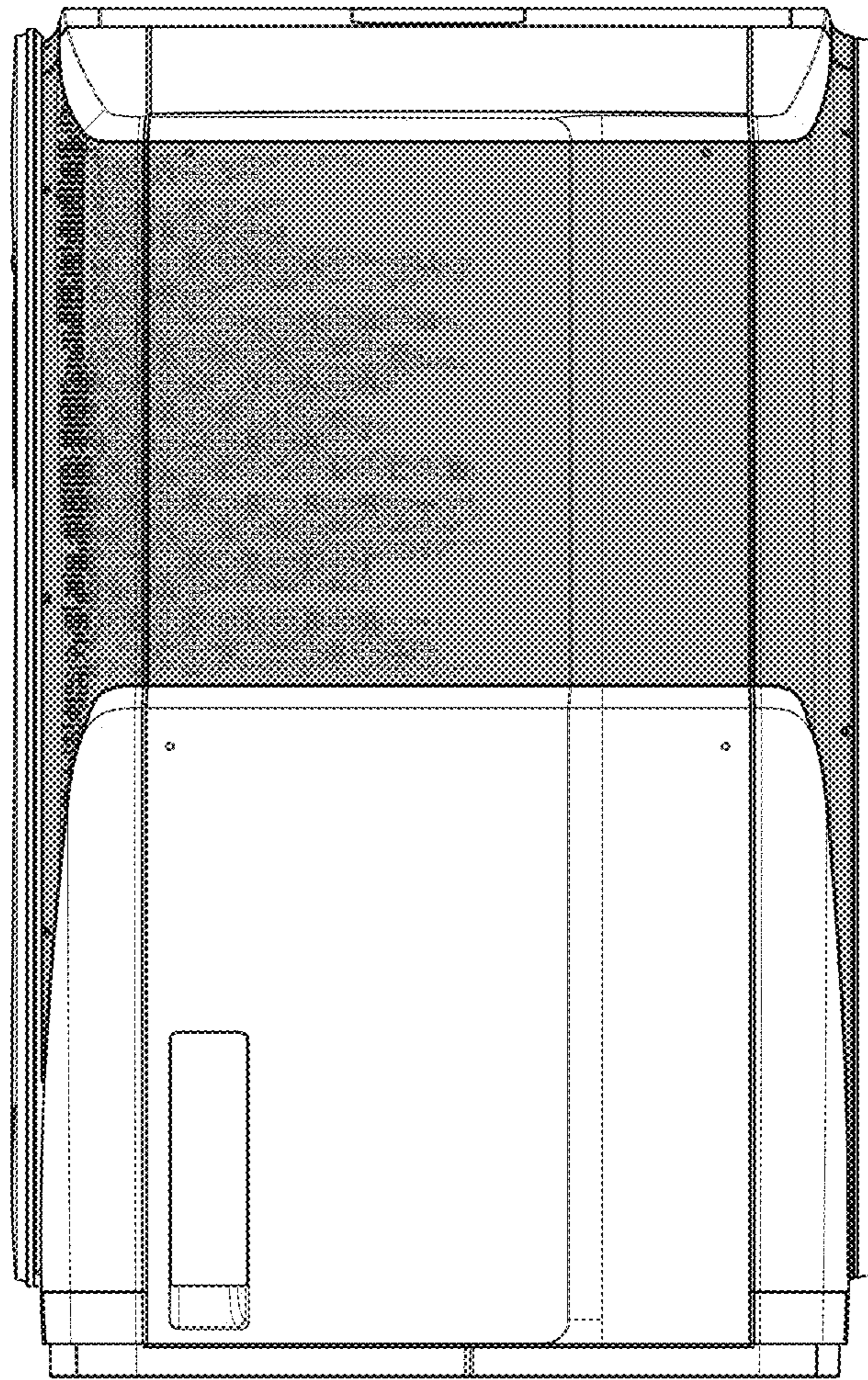


FIG. 19

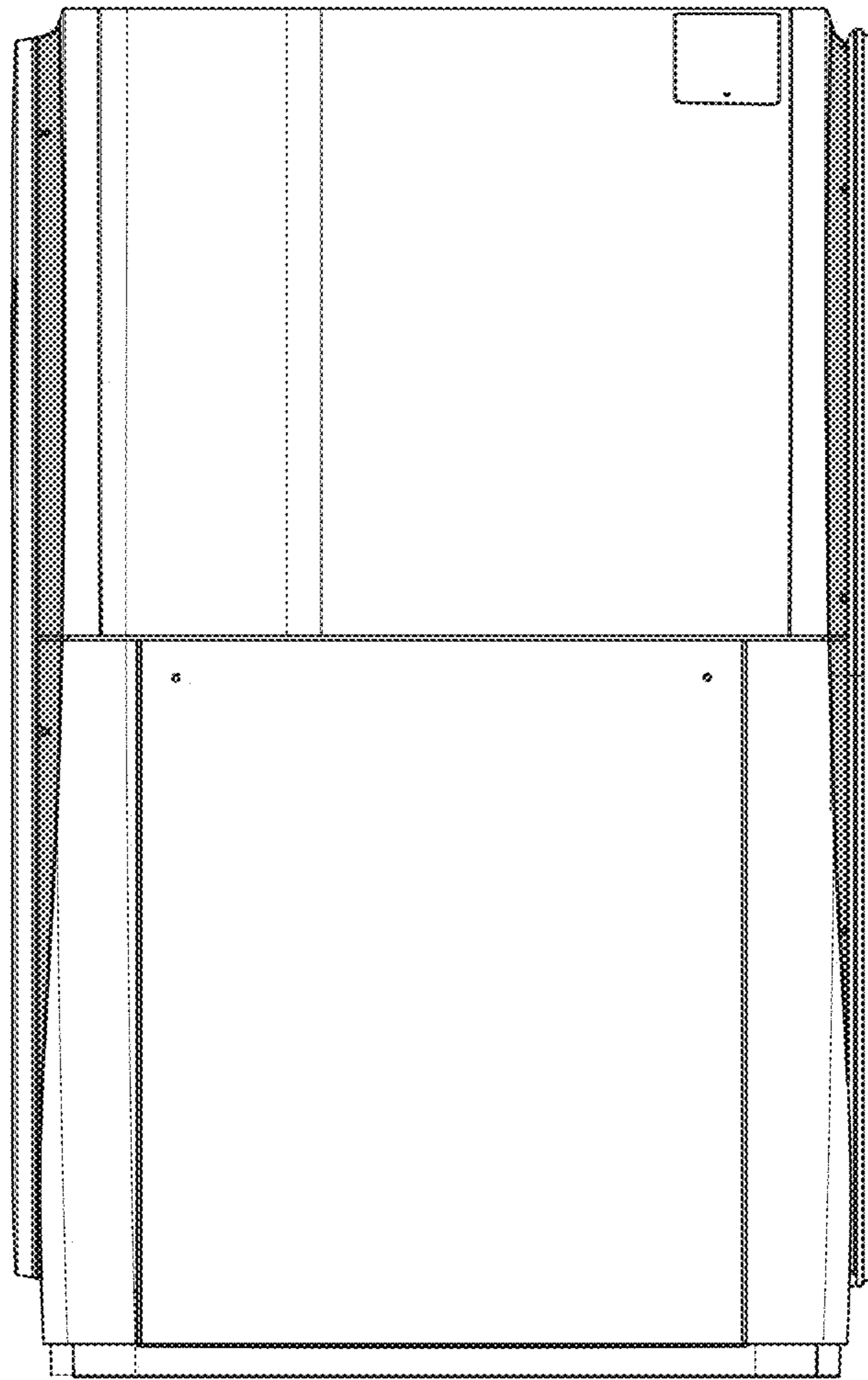


FIG. 20

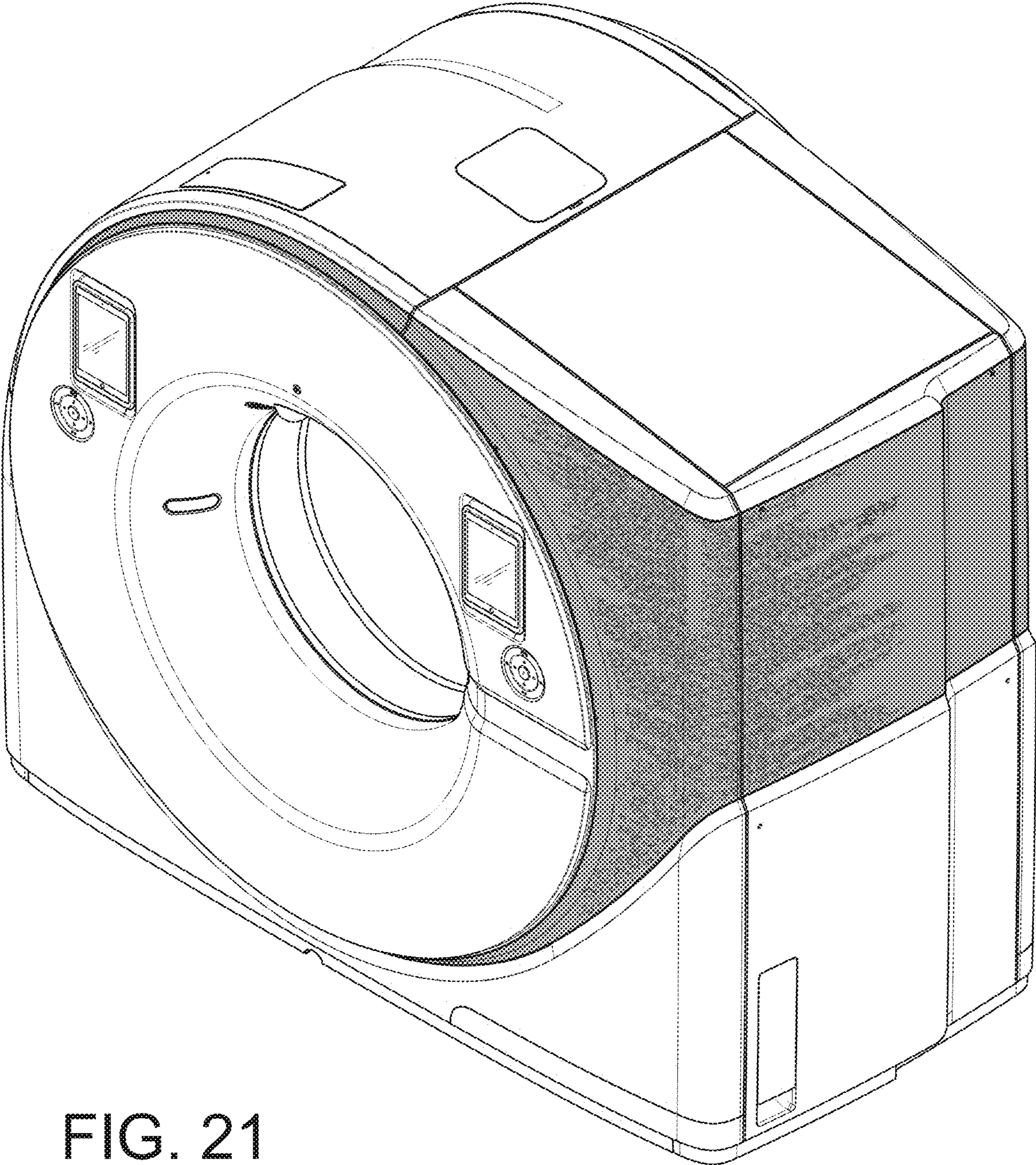


FIG. 21