



US00D982160S

(12) **United States Design Patent**
Rashman

(10) **Patent No.:** **US D982,160 S**
(45) **Date of Patent:** **** Mar. 28, 2023**

- (54) **STETHOSCOPE CHESTPIECE**
- (71) Applicant: **RASHMAN CORPORATION**,
Northridge, CA (US)
- (72) Inventor: **Richard Rashman**, Northridge, CA
(US)
- (73) Assignee: **RASHMAN CORPORATION**,
Northridge (CA)
- (**) Term: **15 Years**
- (21) Appl. No.: **29/755,953**
- (22) Filed: **Oct. 23, 2020**
- (51) **LOC (14) Cl.** **24-02**
- (52) **U.S. Cl.**
USPC **D24/134**
- (58) **Field of Classification Search**
USPC D24/134; D14/484; D12/501; D8/358,
D8/359, 375; D3/24
CPC A61B 7/02; A61B 7/04; A61B 7/00; A61B
7/003; A61B 5/024; A61B 5/08; A61B
5/0816; A61B 8/0883
See application file for complete search history.

(56) **References Cited**

U.S. PATENT DOCUMENTS

- D389,575 S * 1/1998 Grasfield D24/134
- 5,960,089 A * 9/1999 Bouricius A61B 7/04
381/67

- D485,357 S * 1/2004 Kapinos, Sr. D24/134
- D487,928 S * 3/2004 Drummond D24/134
- D536,448 S * 2/2007 Jackson D24/134
- D639,426 S * 6/2011 Boyd D24/134
- D740,415 S * 10/2015 Johnson D24/134
- 9,414,803 B1 * 8/2016 Naqvi A61B 7/04
- D791,942 S * 7/2017 Hussain D24/134
- D820,981 S * 6/2018 Johnson D24/134
- D904,863 S * 12/2020 Schweiss D8/358
- 2008/0093157 A1 * 4/2008 Drummond A61B 7/02
181/131

* cited by examiner

Primary Examiner — Michael A. Pratt

(74) *Attorney, Agent, or Firm* — Womble Bond Dickinson
(US) LLP

(57) **CLAIM**

The ornamental design for stethoscope chestpiece, as shown
and described.

DESCRIPTION

FIG. 1 is top, left side perspective view of my stethoscope chestpiece design;
 FIG. 2 is a bottom, right side perspective thereof;
 FIG. 3 is a left side elevation view thereof;
 FIG. 4 is a right side elevation view thereof;
 FIG. 5 is front elevation view thereof;
 FIG. 6 is rear elevation view thereof
 FIG. 7 is a top plan view thereof; and,
 FIG. 8 is a bottom plan view thereof.
 The broken line shown in the stethoscope chestpiece are for
 portions that form no part of the claimed design.

1 Claim, 4 Drawing Sheets

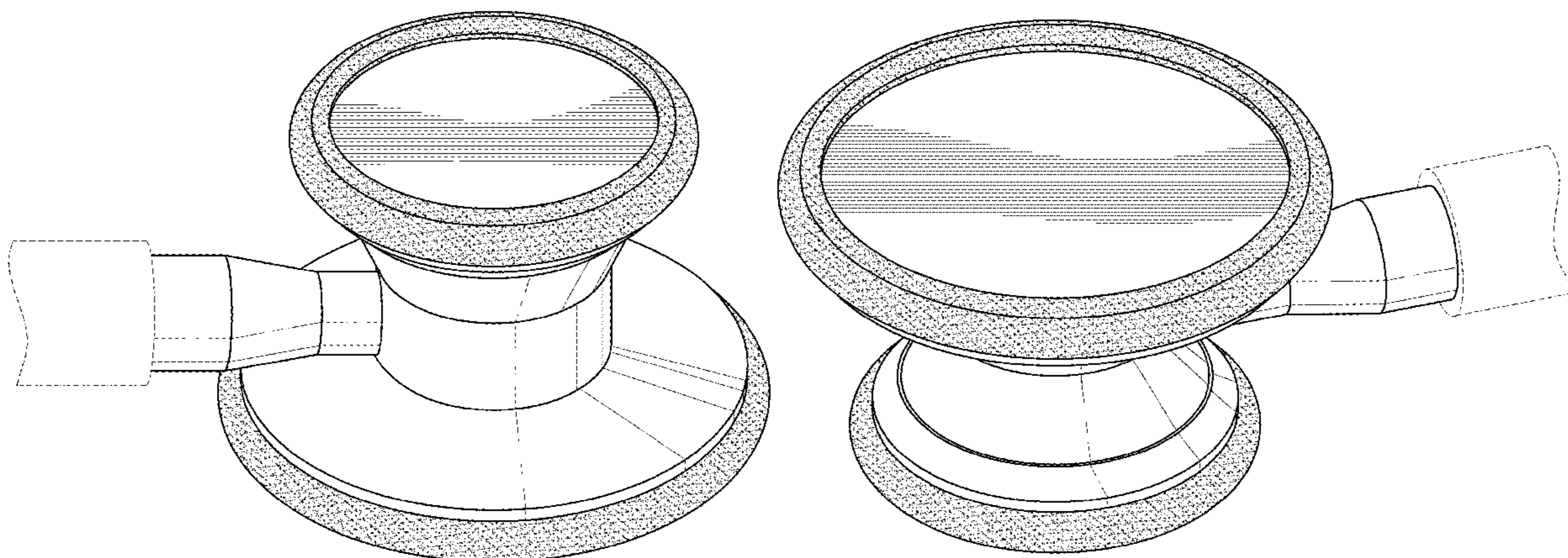


FIG. 1

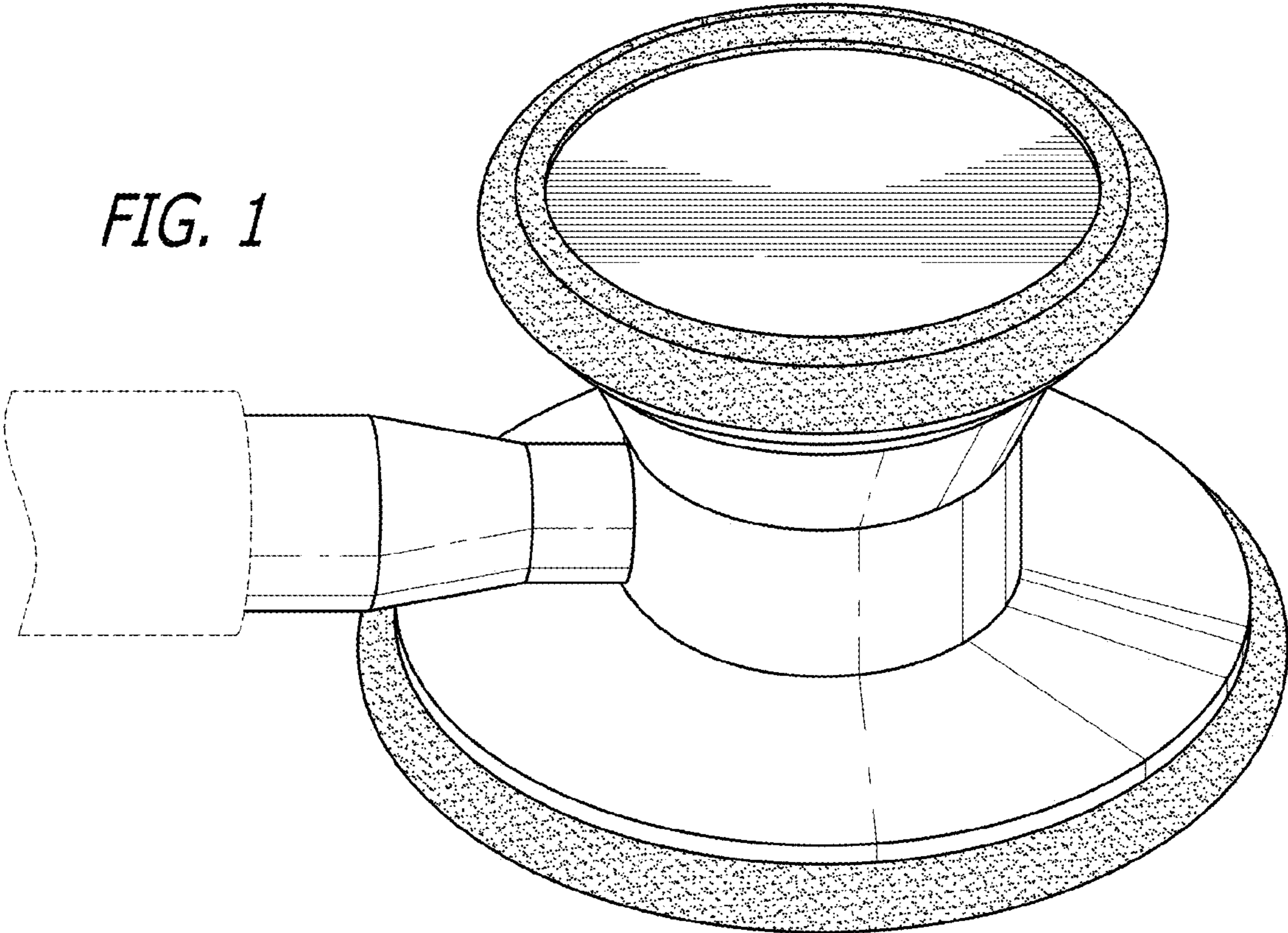


FIG. 2

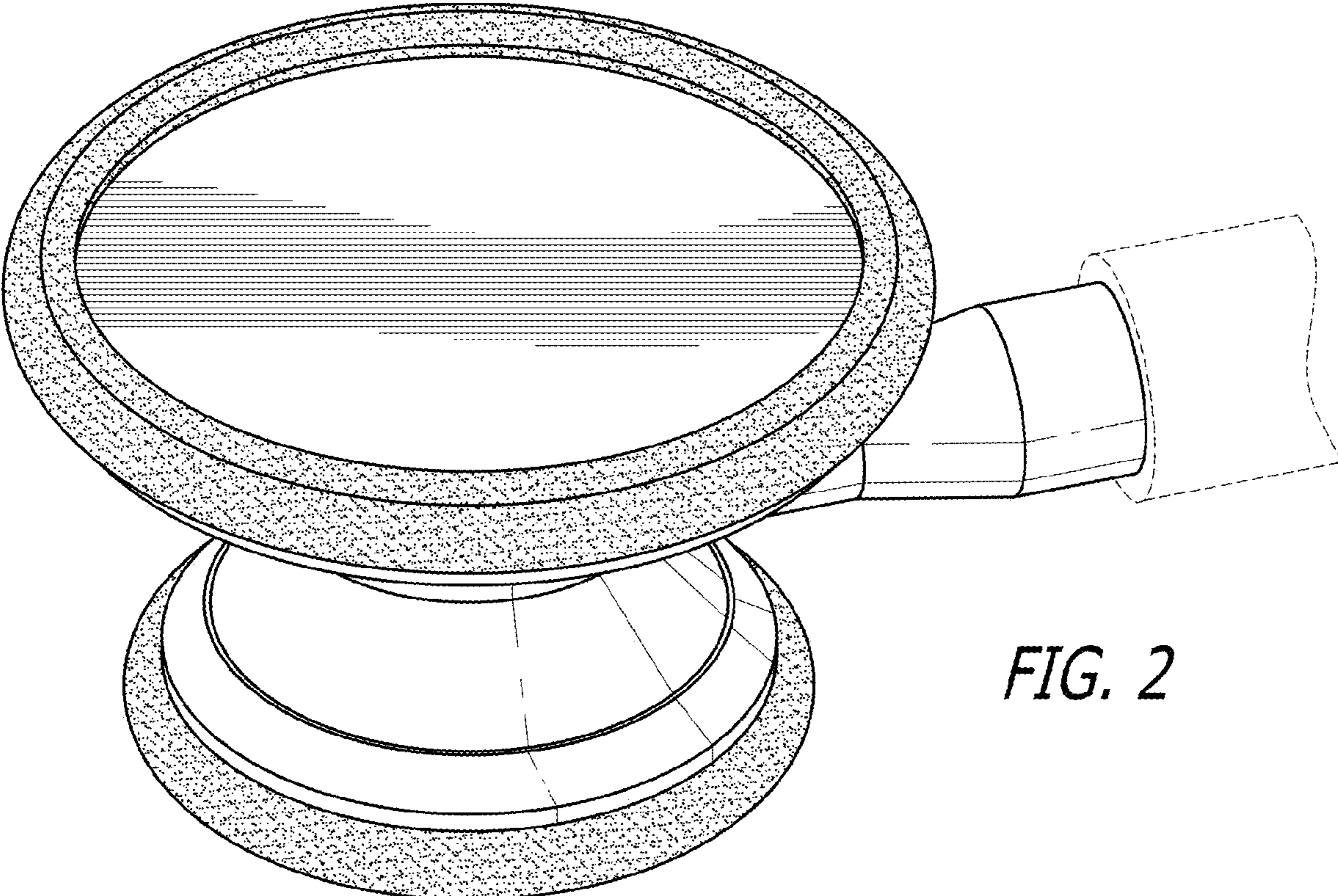


FIG. 3

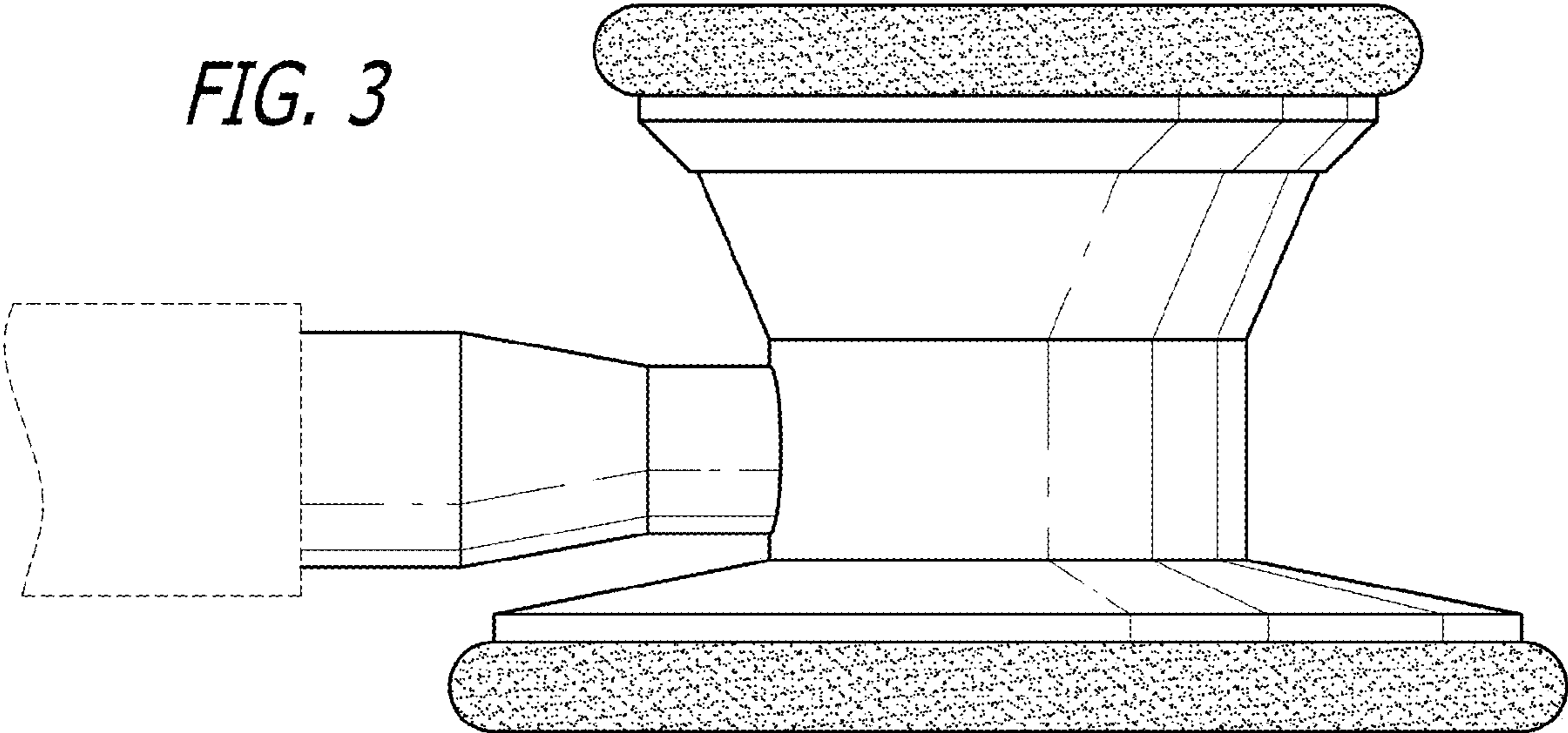
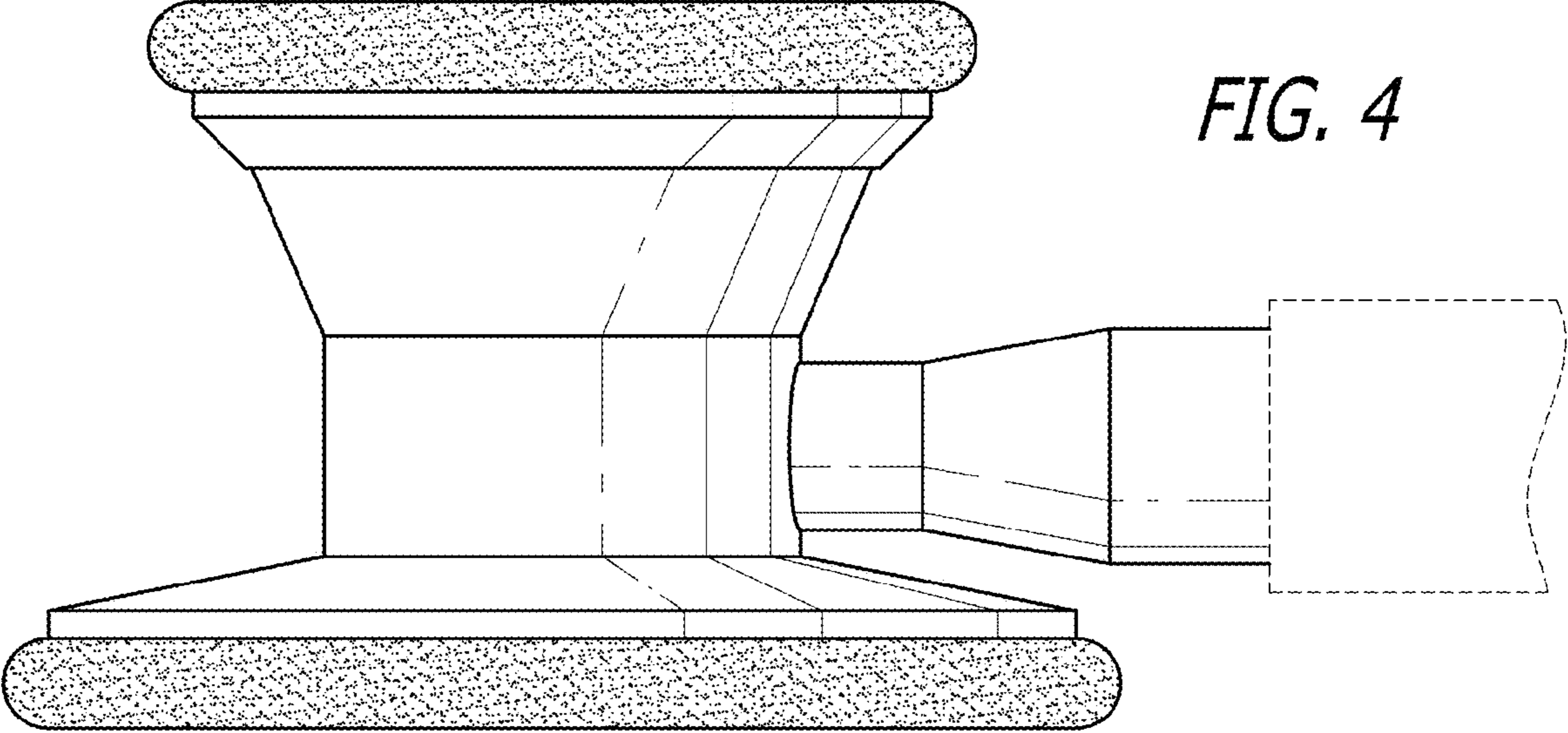


FIG. 4



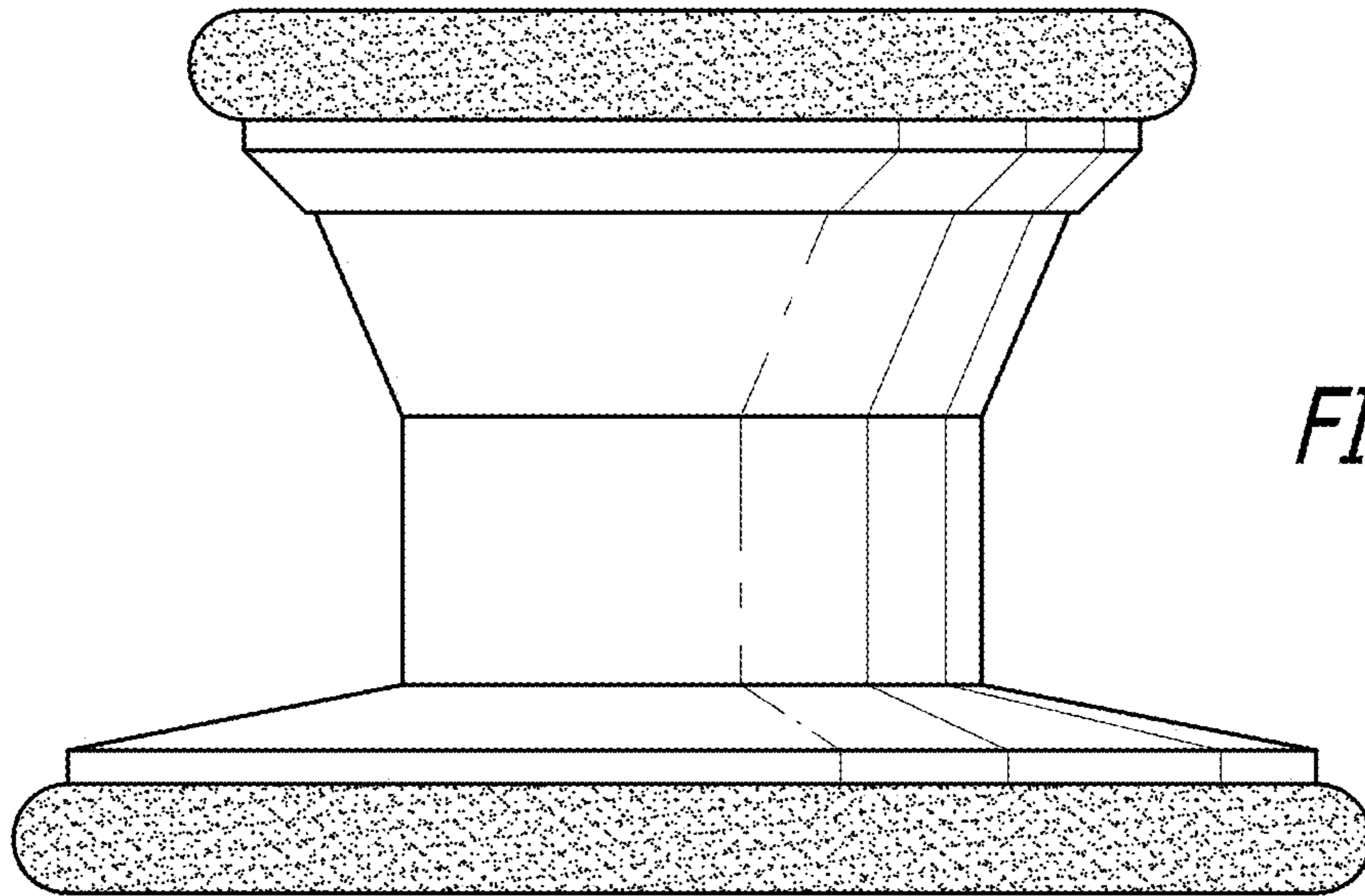


FIG. 5

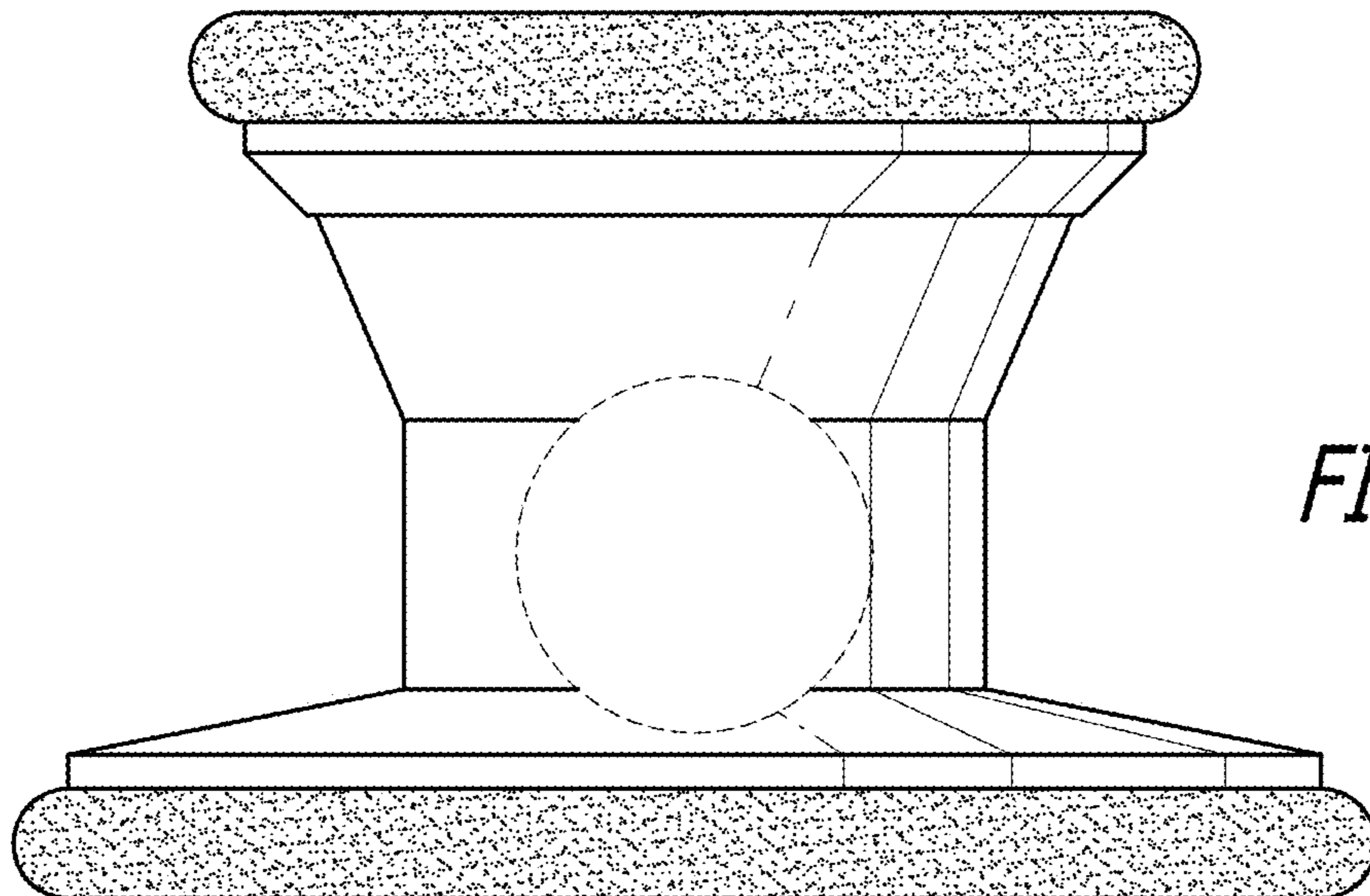


FIG. 6

FIG. 7

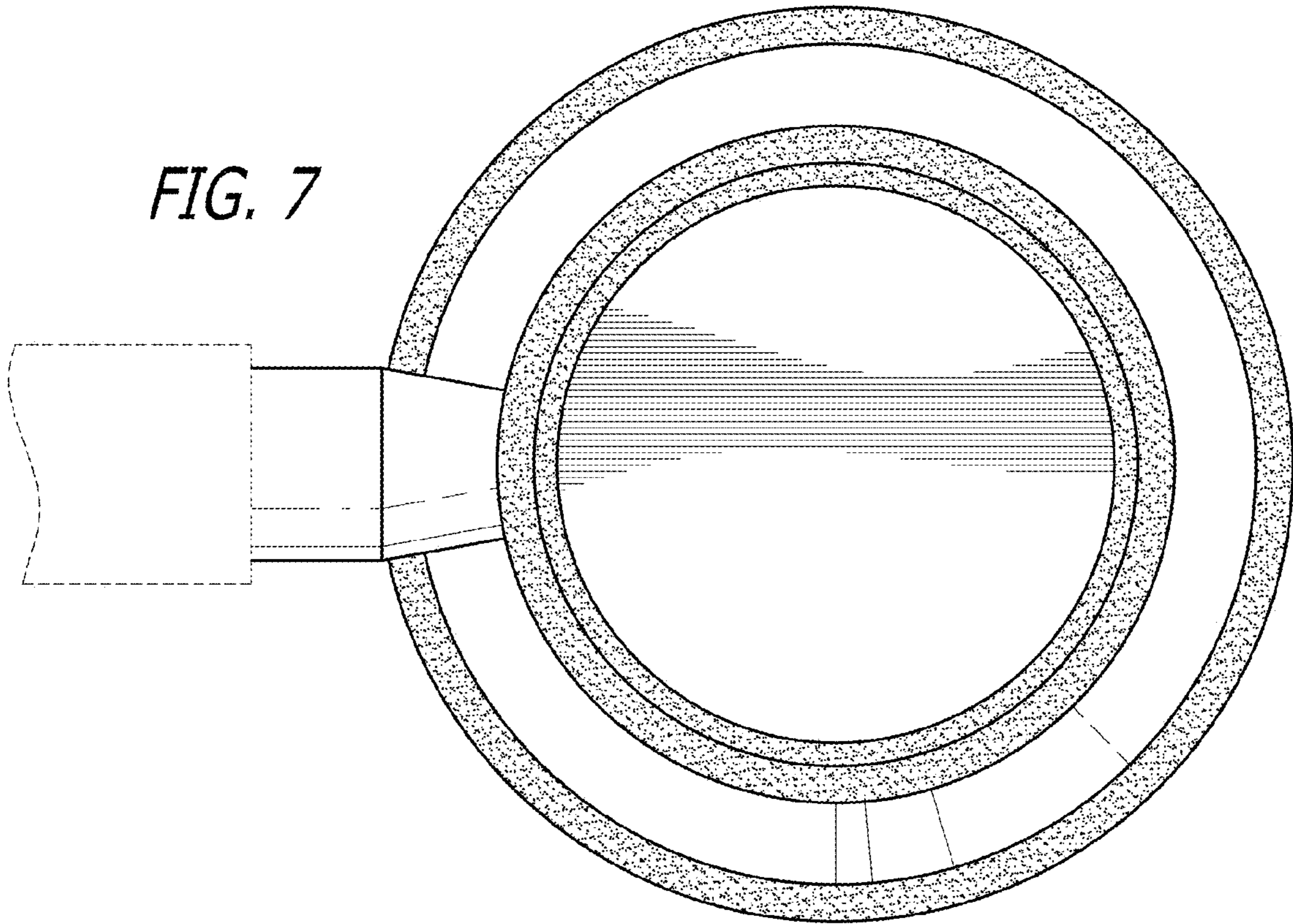


FIG. 8

