



US00D982159S

(12) **United States Design Patent**
Shirasawa

(10) **Patent No.:** **US D982,159 S**
(45) **Date of Patent:** **** Mar. 28, 2023**

(54) **MASK STAND**

(71) Applicant: **Ayumu Shirasawa**, Tokyo (JP)

(72) Inventor: **Ayumu Shirasawa**, Tokyo (JP)

(73) Assignee: **Ayumu Shirasawa**, Tokyo (JP)

(**) Term: **15 Years**

(21) Appl. No.: **29/812,798**

(22) Filed: **Oct. 25, 2021**

(30) **Foreign Application Priority Data**

May 21, 2021 (JP) 2021-010715 D

(51) **LOC (14) Cl.** **24-02**

(52) **U.S. Cl.**
USPC **D24/128**

(58) **Field of Classification Search**
USPC D24/185, 234, 232, 186, 128, 127;
D9/431-433, 455-457, 499
CPC A47F 3/14; A47F 3/142; A47F 5/10; A47F
5/11; A47F 5/112
See application file for complete search history.

(56) **References Cited**

U.S. PATENT DOCUMENTS

D30,088 S *	1/1899	Barkley	D9/456
3,152,744 A *	10/1964	Vrana	B65D 5/48032
				229/120.25
D226,479 S *	3/1973	Flanagan	D9/456
D298,413 S *	11/1988	Raudat	D9/456
D358,096 S *	5/1995	Weimer	D9/456
D774,196 S *	12/2016	Cox	D24/185
D774,393 S *	12/2016	Wu	D9/456
D808,806 S *	1/2018	Campbell	D9/456
10,624,472 B2 *	4/2020	López Fernández ..	A47B 43/02	
D886,295 S *	6/2020	Doiley	D24/128
10,724,232 B2 *	7/2020	Glavin	E04B 7/20
D938,278 S *	12/2021	Johnson	D6/682.3

(Continued)

FOREIGN PATENT DOCUMENTS

JP D1681740 * 3/2021

OTHER PUBLICATIONS

Set of 5 cardboard mask holders, CreaByFloki, Etsy.com, [Post date: Nov. 7, 2021], [Site seen Jan. 24, 2023], Seen at URL: <https://www.etsy.com/listing/1100229247/set-of-5-cardboard-mask-holders> (Year: 2021).*

(Continued)

Primary Examiner — Natasha Vujcic

Assistant Examiner — Gilbert B Ford

(74) *Attorney, Agent, or Firm* — Leydig, Voit & Mayer, Ltd.

(57) **CLAIM**

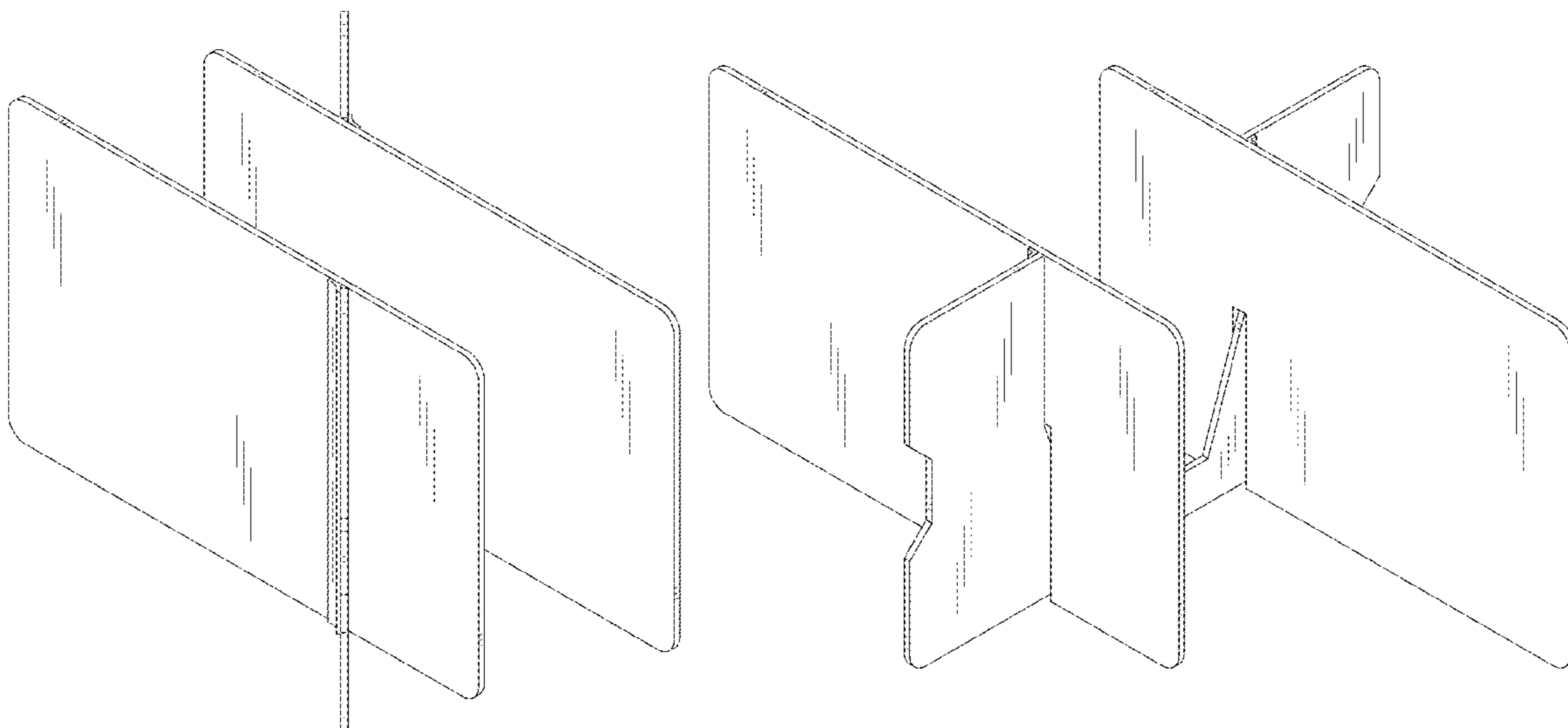
The ornamental design for a mask stand, as shown and described.

DESCRIPTION

FIG. 1 is a perspective view of a mask stand showing my new design;
FIG. 2 is a front view thereof;
FIG. 3 is a rear view thereof;
FIG. 4 is a top view thereof;
FIG. 5 is a bottom view thereof;
FIG. 6 is a right side view thereof;
FIG. 7 is a left side view thereof;
FIG. 8 is a perspective view in a wide-open position thereof;
FIG. 9 is a perspective view in a closed position thereof; and,
FIG. 10 is a perspective view of a mask stand shown in a position of use.

The features shown in broken lines depict environmental subject matter only and form no part of the claimed design.

1 Claim, 10 Drawing Sheets



(56)

References Cited

U.S. PATENT DOCUMENTS

D946,767 S * 3/2022 Kemper D24/189
D959,655 S * 8/2022 Mark D24/128
D975,540 S * 1/2023 Castro D9/433

OTHER PUBLICATIONS

Cardboard display stand, Stand Store, youtube.com, [Post date Mar. 6, 2011], [Site seen Jan. 24, 2023], Seen at URL: <https://www.youtube.com/watch?v=B6P9BRH8Dsk> (Year: 2011).*

* cited by examiner

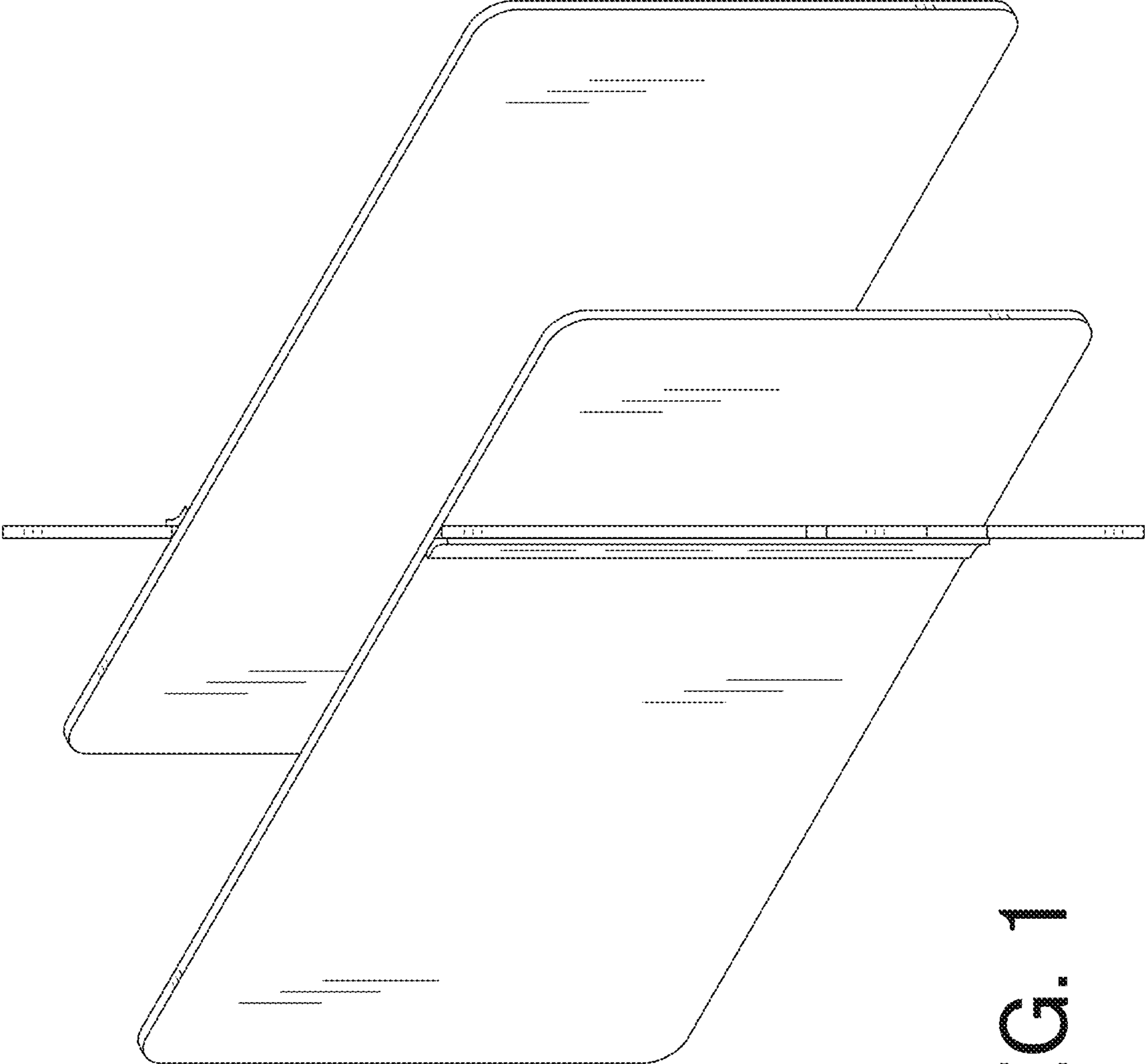


FIG. 1

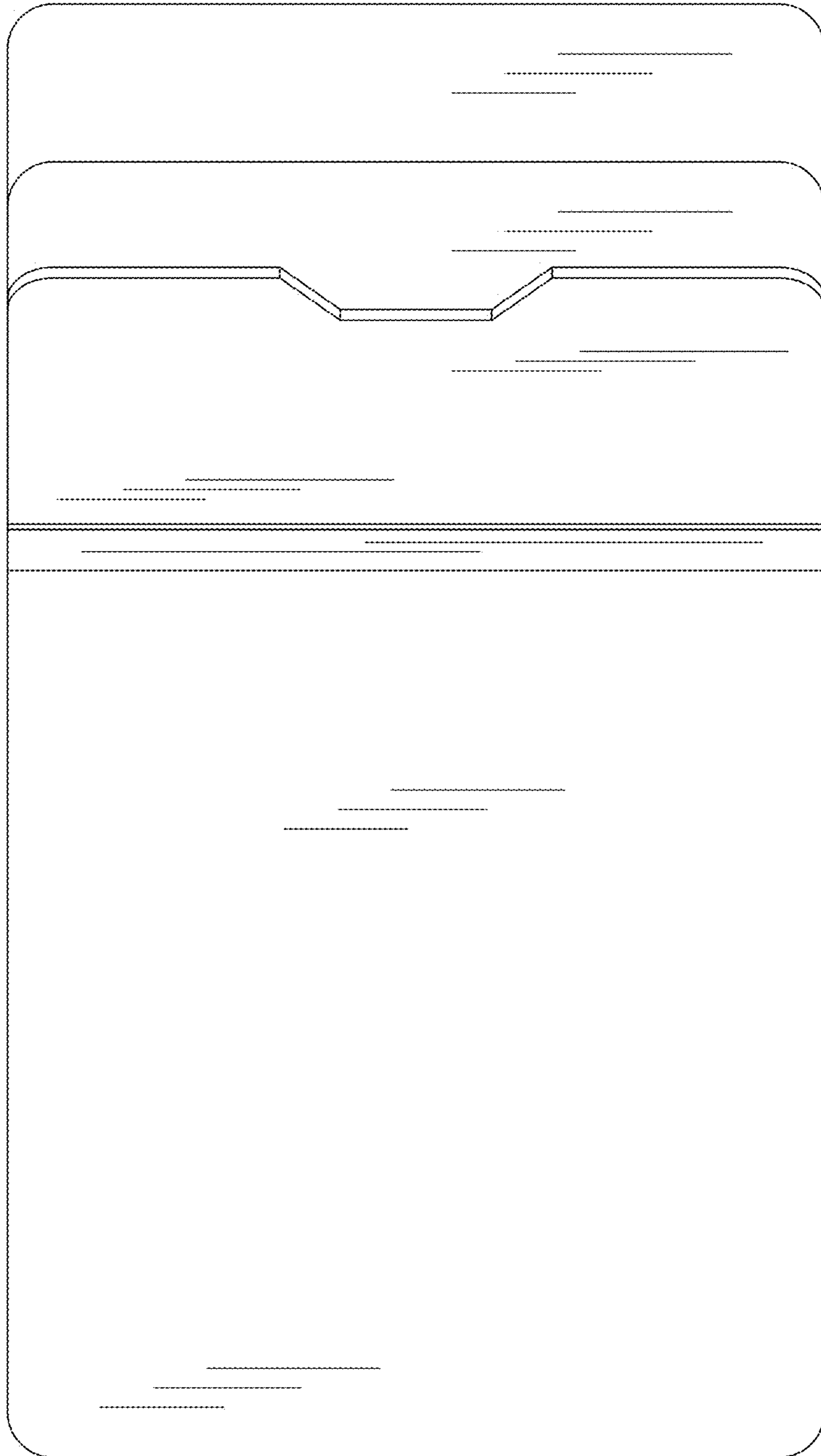


FIG. 2



FIG. 3

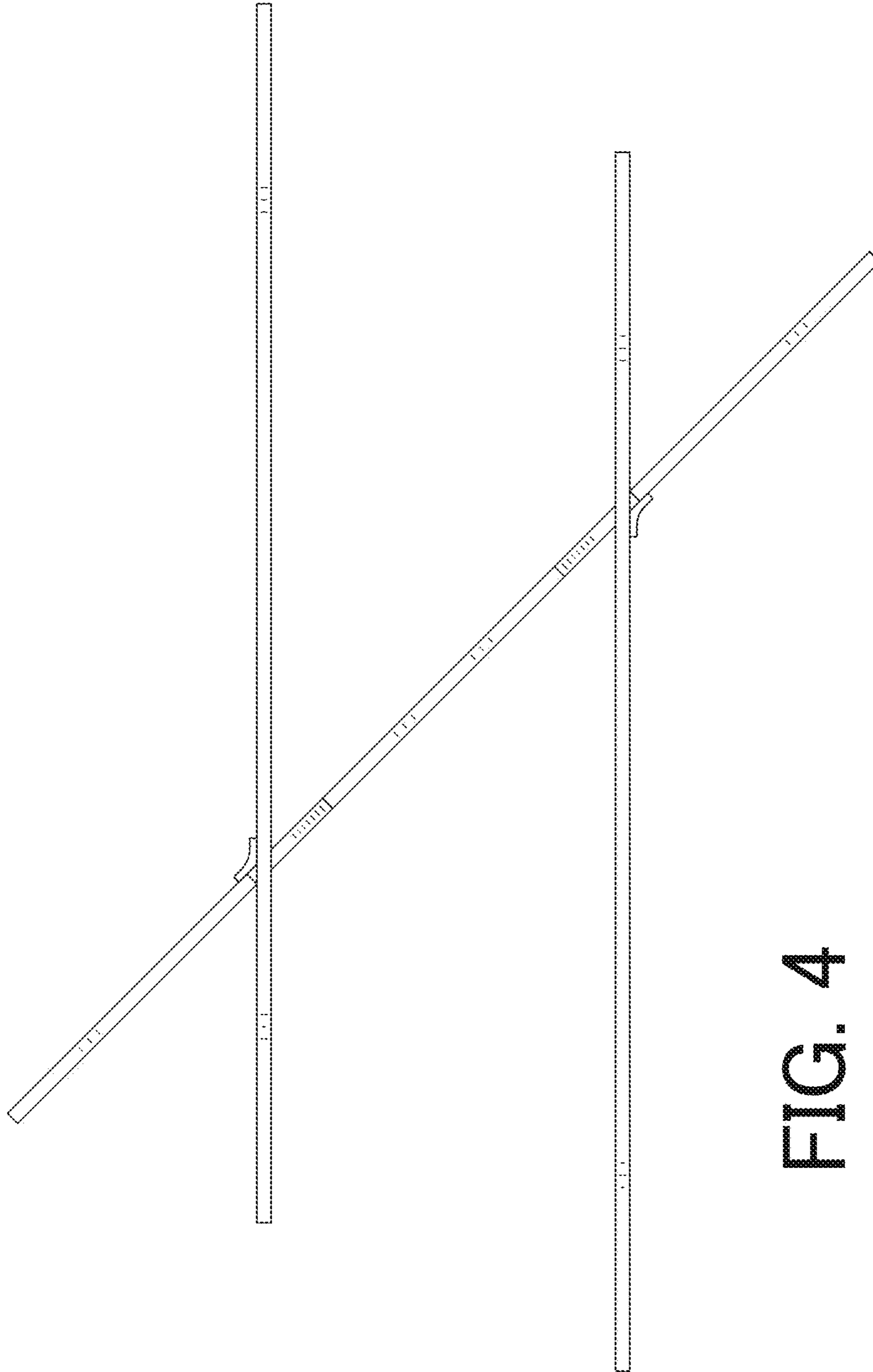


FIG. 4

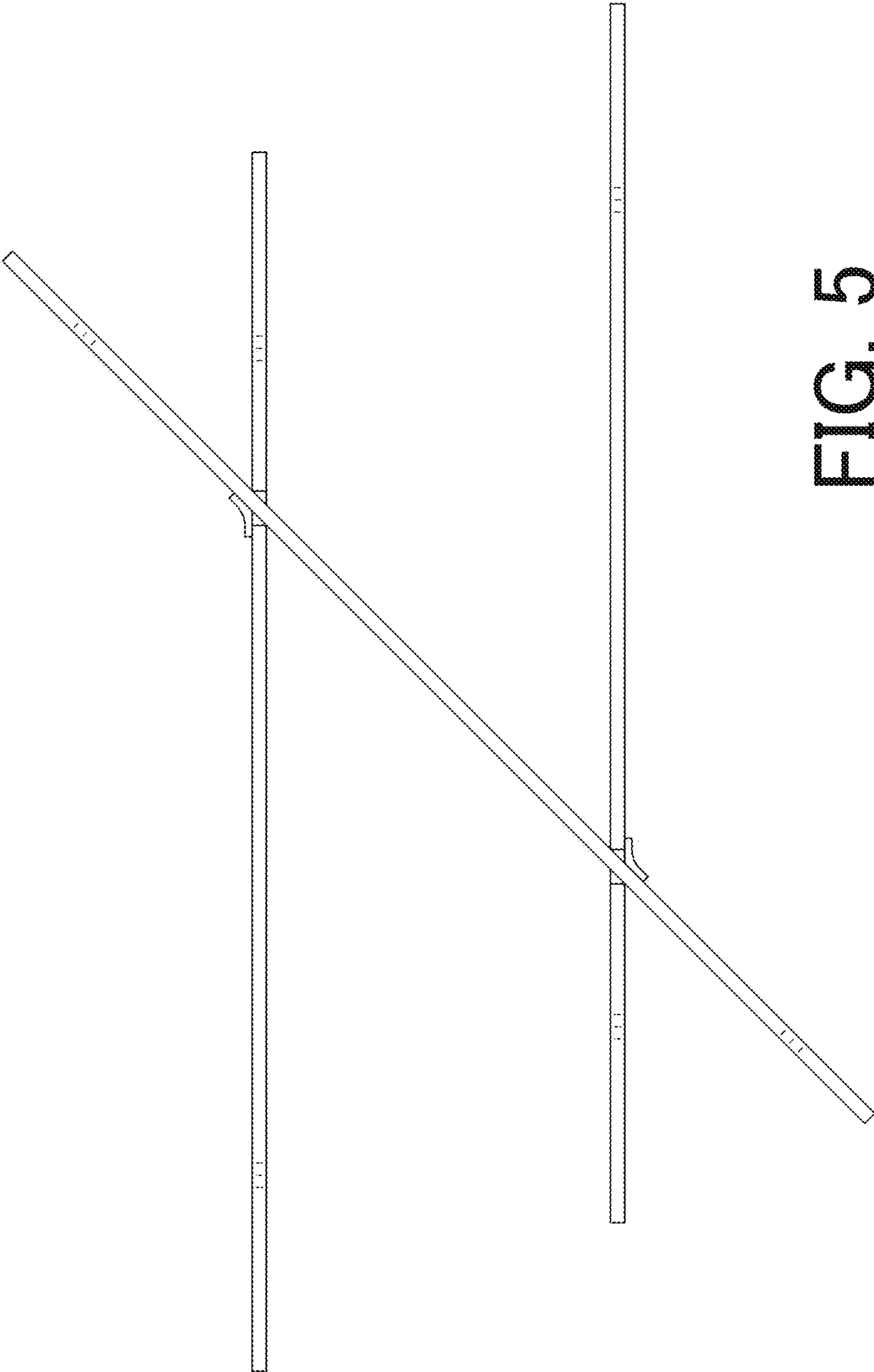


FIG. 5

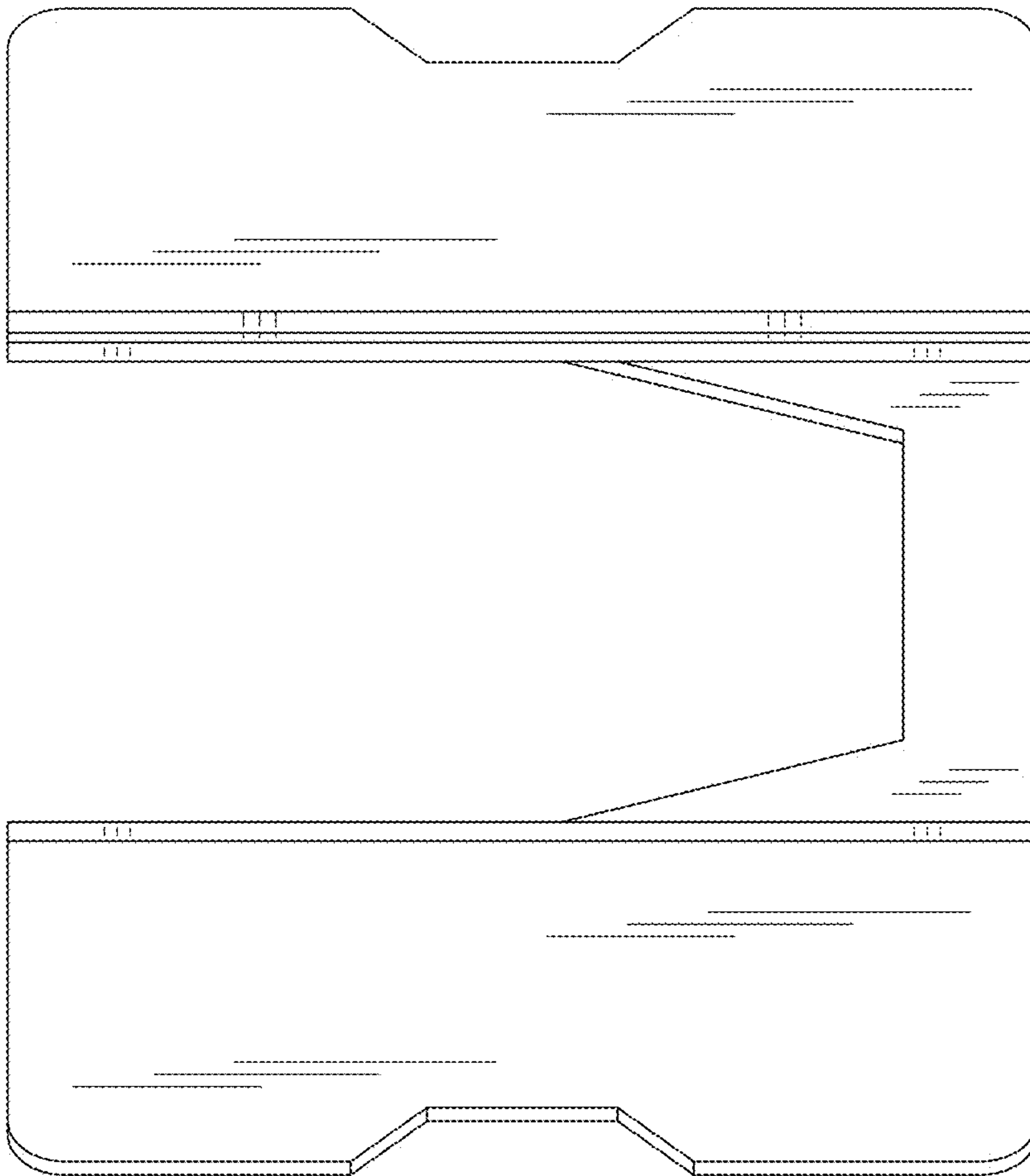


FIG. 6

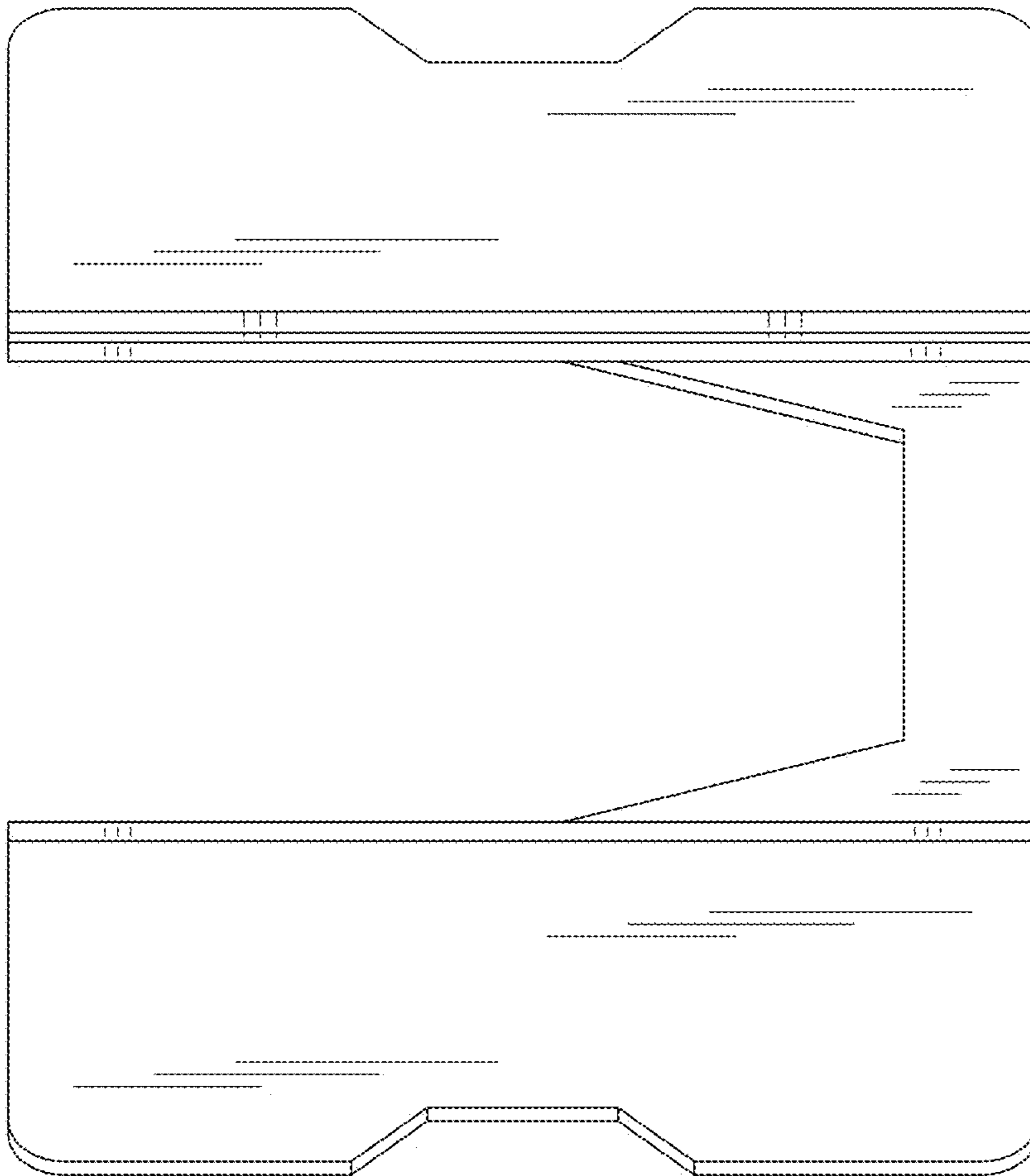


FIG. 7

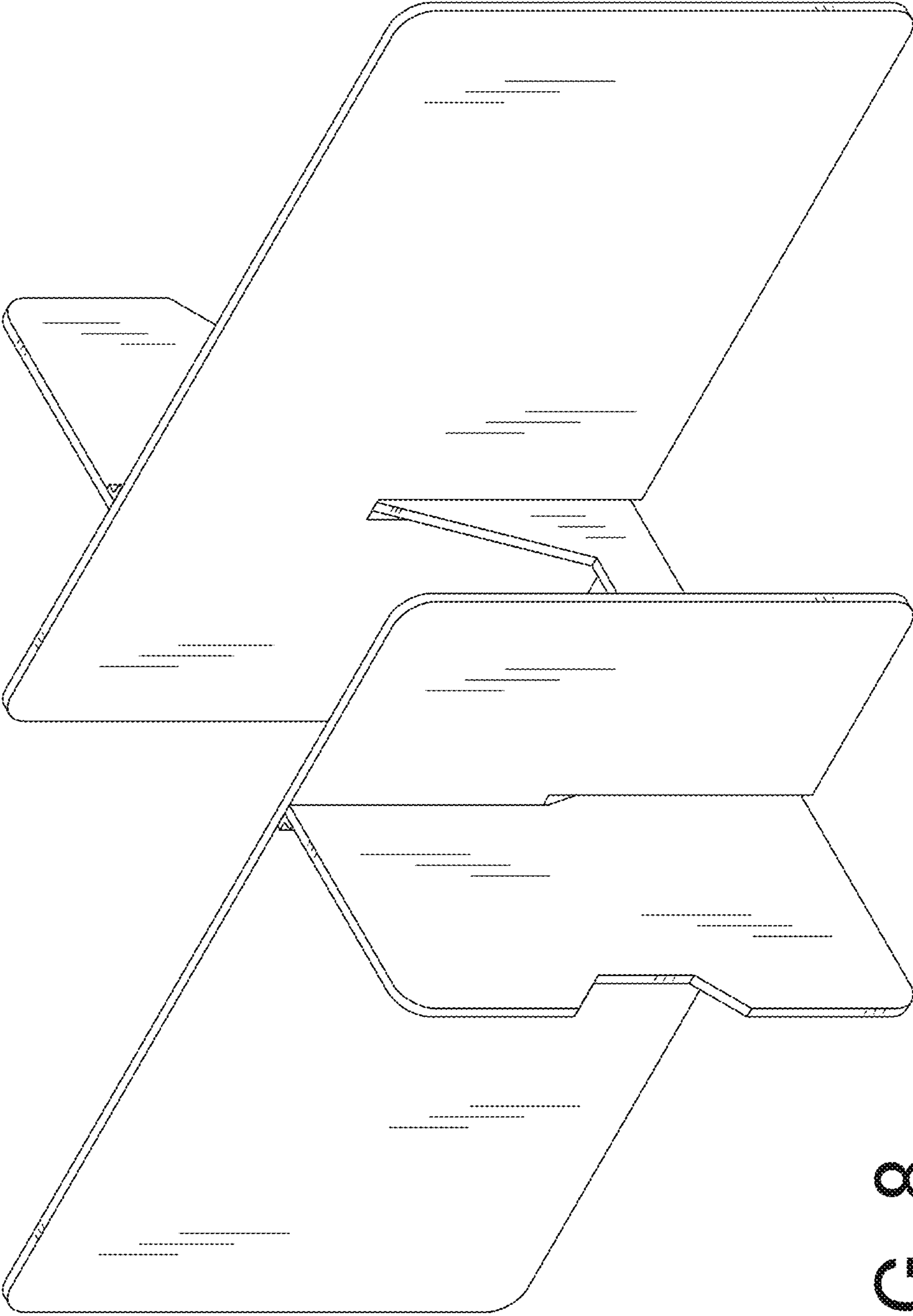


FIG. 8

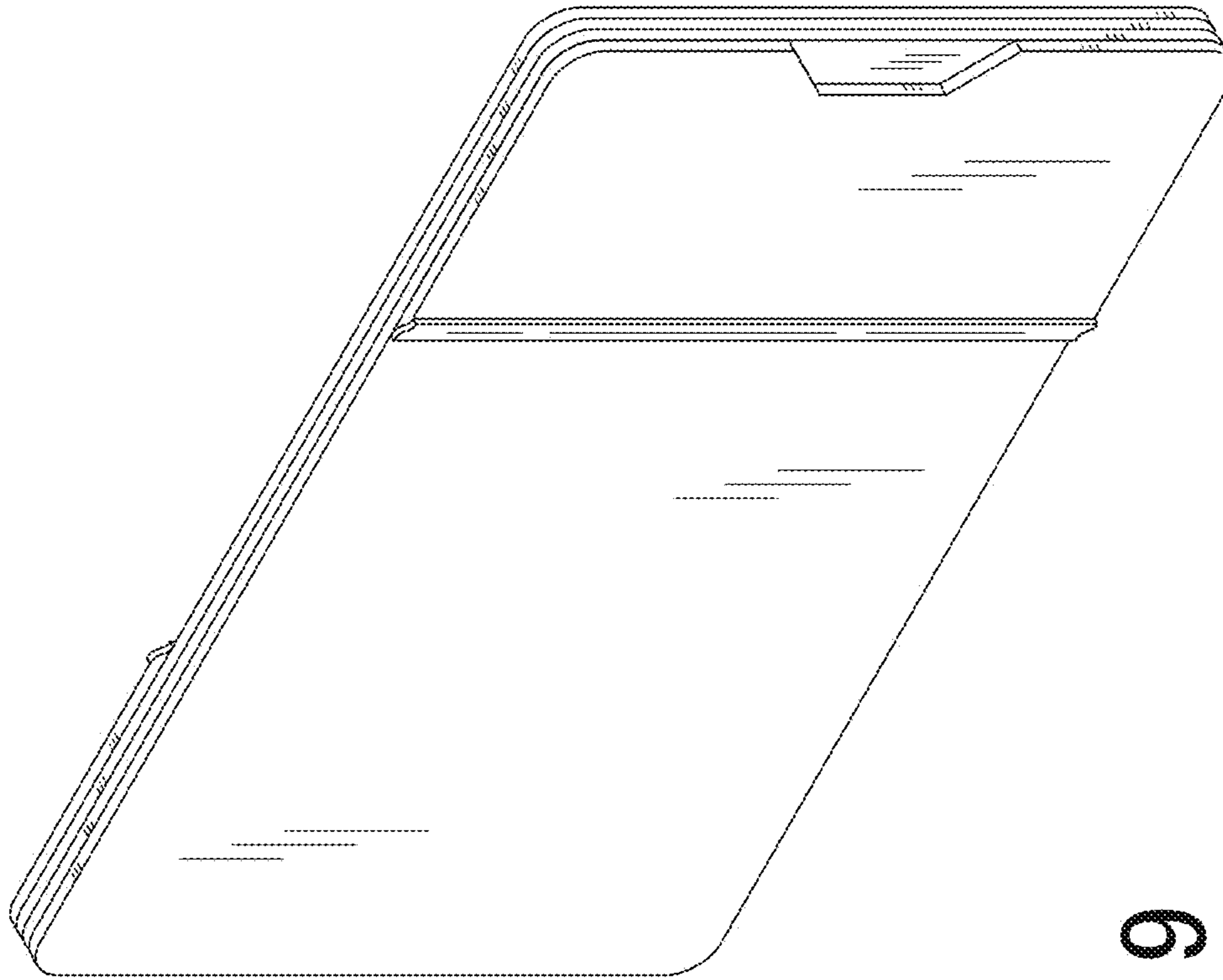


FIG. 9

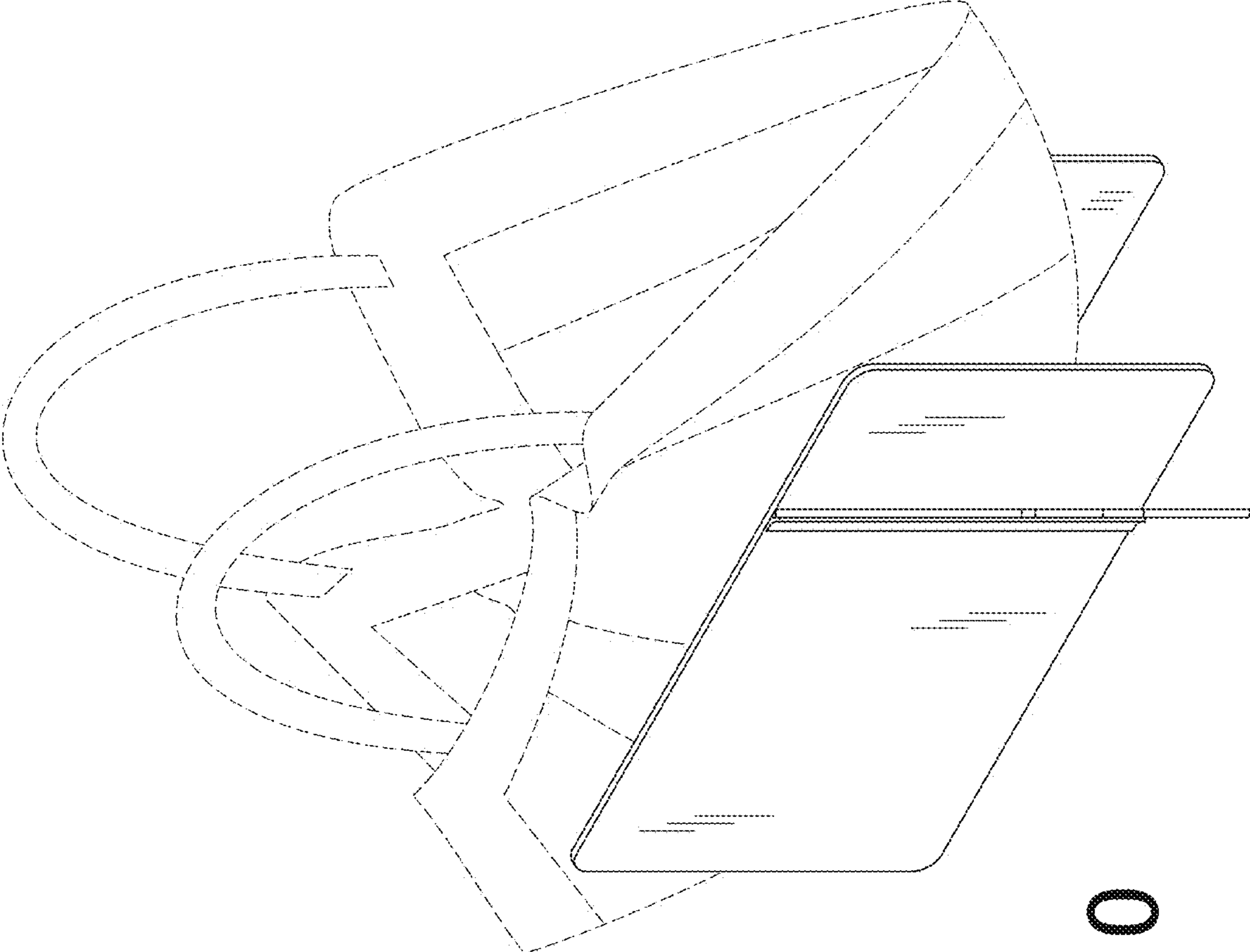


FIG. 10