



US00D982157S

(12) **United States Design Patent** (10) **Patent No.:** **US D982,157 S**
Hill et al. (45) **Date of Patent:** **** Mar. 28, 2023**

(54) **PIPETTE SYRINGE**
(71) Applicant: **Mettler-Toledo Rainin, LLC**, Oakland, CA (US)
(72) Inventors: **Richard Hill**, Berkeley, CA (US);
Michael McNaul, Sunnyvale, CA (US);
Jamie McPherson, Cambridge (GB);
Stephen Grimwade, Upwood Huntingdon (GB)

D733,909 S * 7/2015 Lohn D24/222
D875,964 S * 2/2020 Doebele D24/222
D877,896 S * 3/2020 Ritter D24/114
D953,522 S * 5/2022 Scott D24/112
(Continued)

FOREIGN PATENT DOCUMENTS

CN 303267810 7/2015
CN 306418821 3/2021
(Continued)

(73) Assignee: **Mettler-Toledo Rainin, LLC**, Oakland, CA (US)

OTHER PUBLICATIONS

Eppendorf AG, Multipette E3/E3x, accessed online at <https://online-shop.eppendorf.com/OC-en/Manual-Liquid-Handling-44563/Pipettes-44564/MultipetteE3-E3x-PF-135444.html>, 2019, 8 pages.

(**) Term: **15 Years**

(Continued)

(21) Appl. No.: **29/774,002**

(22) Filed: **Mar. 12, 2021**

Primary Examiner — Natasha Vujcic

(51) **LOC (14) Cl.** **24-02**

Assistant Examiner — Gilbert B Ford

(52) **U.S. Cl.**
USPC **D24/114**

(74) *Attorney, Agent, or Firm* — Standley Law Group LLP; Jeffrey S. Standley; Adam J. Smith

(58) **Field of Classification Search**
USPC D24/112–114, 133, 186, 104, 130, 127, D24/121, 222
CPC B01L 3/0237; B01L 3/0227; B01L 3/0279; B01L 2200/02; B01L 2300/06

(57) **CLAIM**

The ornamental design for a pipette syringe, as shown and described.

See application file for complete search history.

DESCRIPTION

(56) **References Cited**

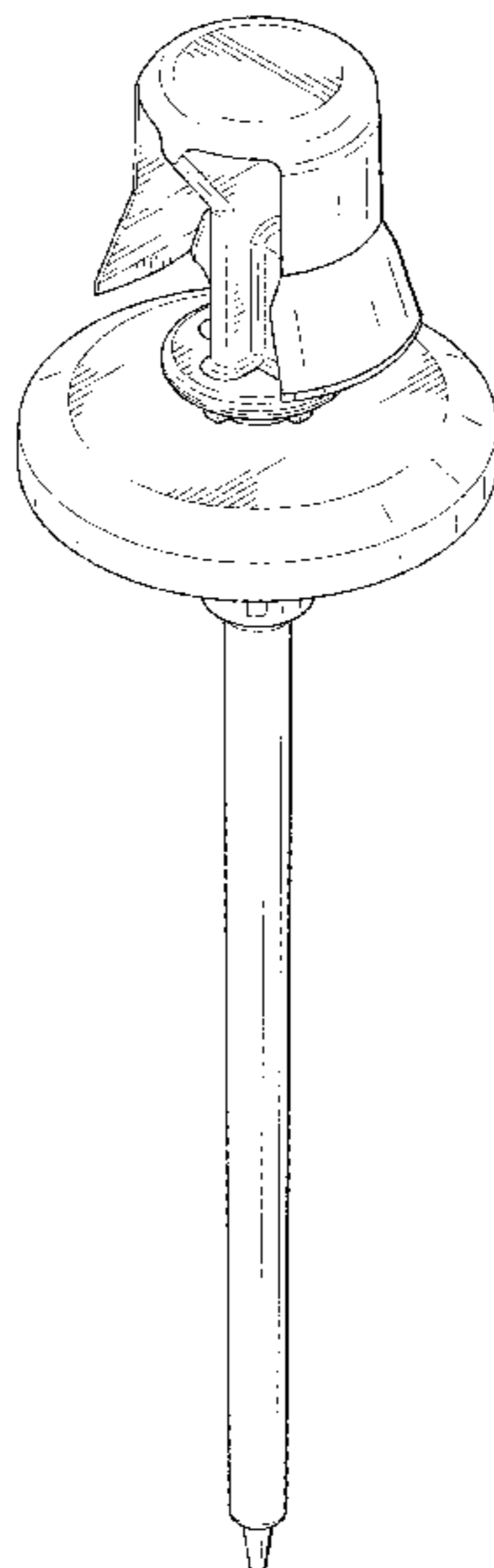
U.S. PATENT DOCUMENTS

D252,823 S * 9/1979 Withers D24/114
D371,057 S * 6/1996 Nicol D24/114
D384,163 S * 9/1997 Husar D24/114
D414,562 S * 9/1999 Tajima D24/222
D497,668 S * 10/2004 Bogazzi D24/146
D584,418 S * 1/2009 Rylski D24/222
D604,839 S * 11/2009 Crawford D24/130
D635,249 S * 3/2011 Becker D24/114
D706,946 S * 6/2014 Lohn D24/222
8,839,685 B2 9/2014 Löhn

FIG. 1 is a top-front perspective view of a pipette syringe;
FIG. 2 is a front view thereof;
FIG. 3 is a rear view thereof;
FIG. 4 is a right side view thereof;
FIG. 5 is a left side view thereof;
FIG. 6 is a top view thereof;
FIG. 7 is a bottom view thereof; and,
FIG. 8 is a bottom-rear perspective view thereof.

In the drawing figures, features shown in broken lines indicate environmental subject matter only, and form no part of the claimed design.

1 Claim, 5 Drawing Sheets



(56)

References Cited

U.S. PATENT DOCUMENTS

11,369,954 B2 * 6/2022 Hill B01L 3/0237
11,389,792 B2 * 7/2022 Hill B01L 3/022
2011/0088493 A1 * 4/2011 Blumentritt B01L 3/0234
422/516
2012/0204660 A1 * 8/2012 Lohn A61M 5/31513
73/864.62
2021/0121869 A1 * 4/2021 McNaul B01L 3/0279
2021/0121872 A1 * 4/2021 McNaul B01L 3/022
2021/0213440 A1 * 7/2021 Krashenin B01L 3/0275

FOREIGN PATENT DOCUMENTS

EM 009002926-0002 * 5/2022
EM 009002926-0004 5/2022
EM 009002926-0005 5/2022
EP 1724020 B1 3/2010
EP 2574402 B1 3/2015
JP 4893073 B2 1/2012
JP D1640087 8/2019

OTHER PUBLICATIONS

Kinesis Australia Pty Ltd., Brand: Pipette Tips / PD tips: PD-Tips
50 ml Encoded IVD Bulk Packed, accessed online Aug. 29, 2022 at
<https://kinesis-australia.com.au/brand-pipette-tips-pd-tips-pd-tips-50ml-encoded-ivd-bulk-packed-702382.html>, 2022, 1 page.

Mettler Toledo, Encode Syringe 0.1-12.5 mL ENC-SET, accessed
online Aug. 29, 2022 at <https://www.mt.com/nz/en/home/products/pipettes/rainin-pipettes/pipetting-accessories/repeater-pipette-accessories/ENC-SET.html>, 2022, 2 pages.

* cited by examiner

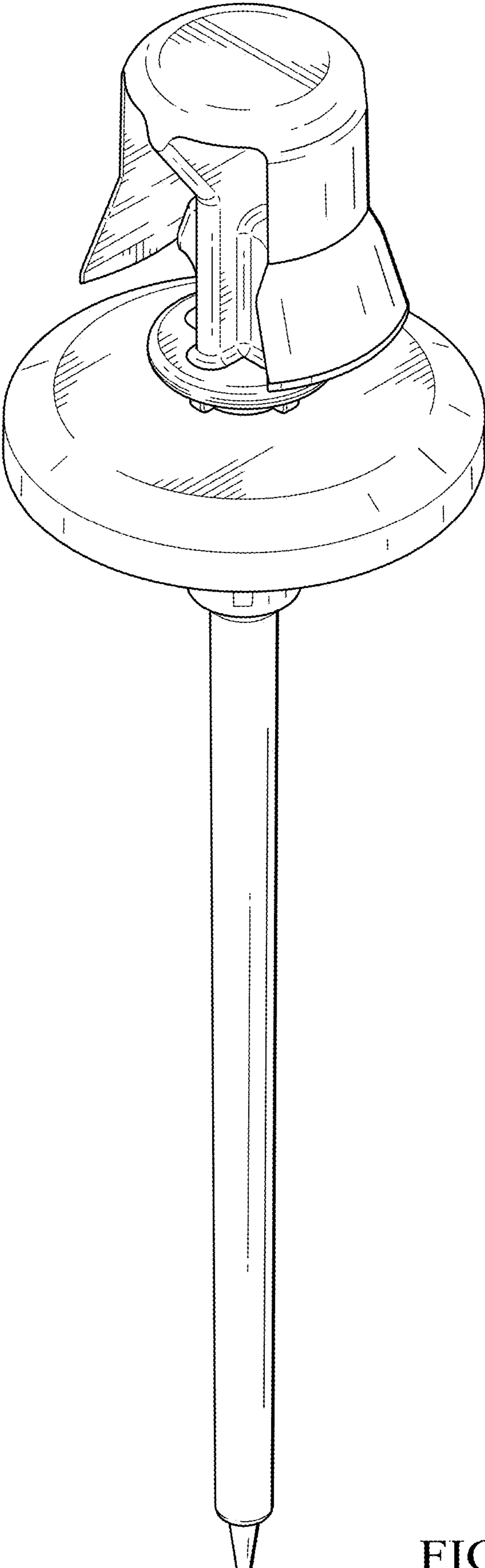


FIG. 1

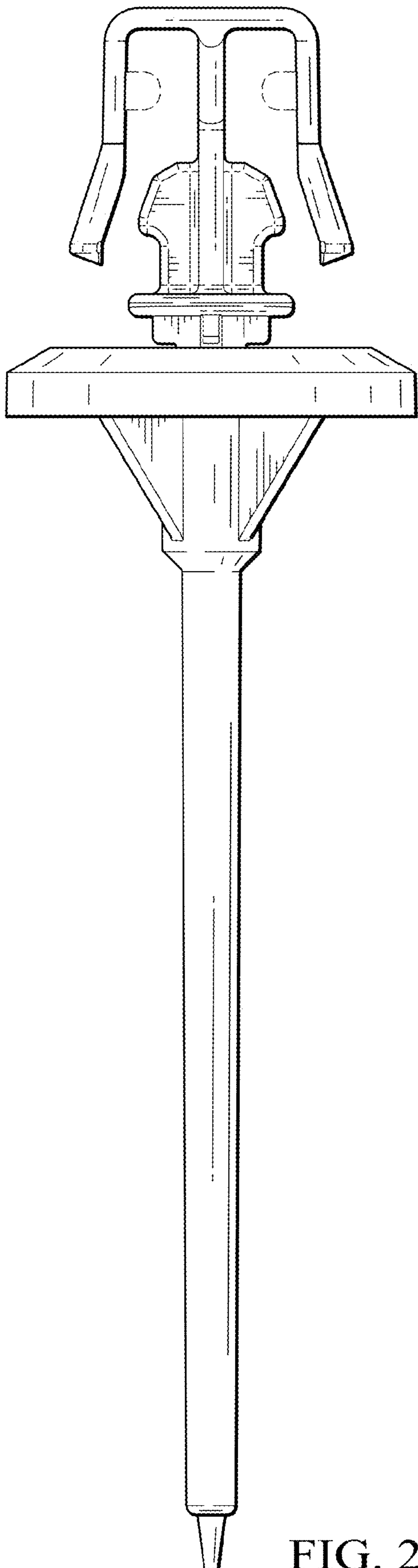


FIG. 2

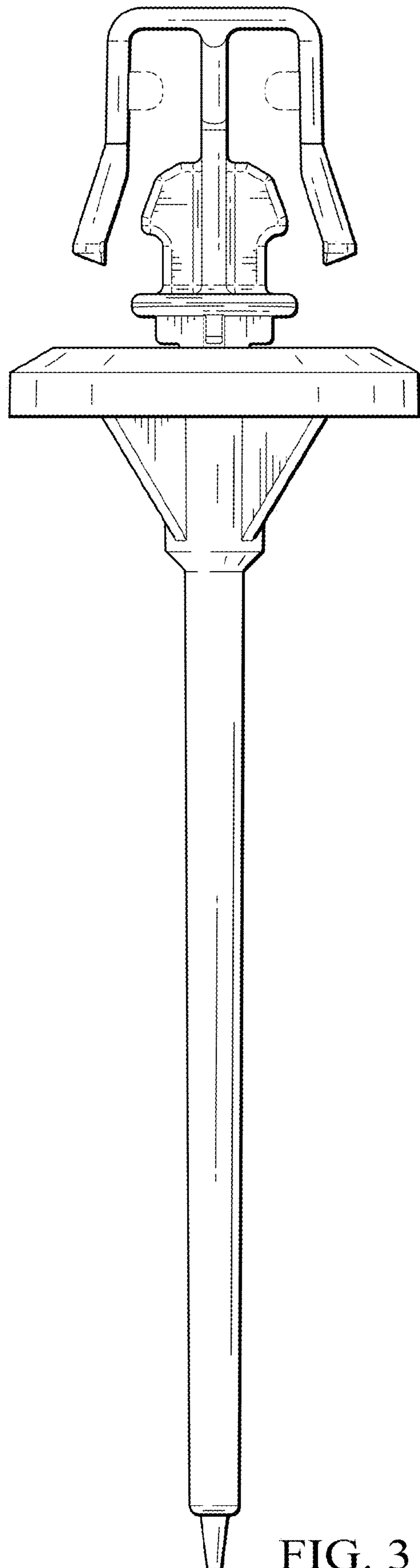


FIG. 3

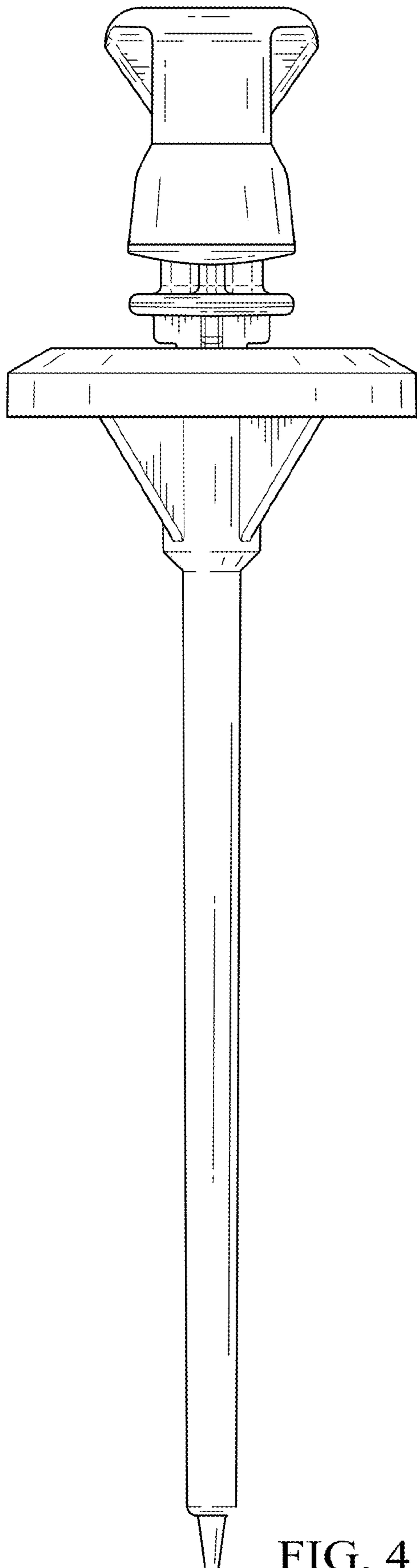


FIG. 4

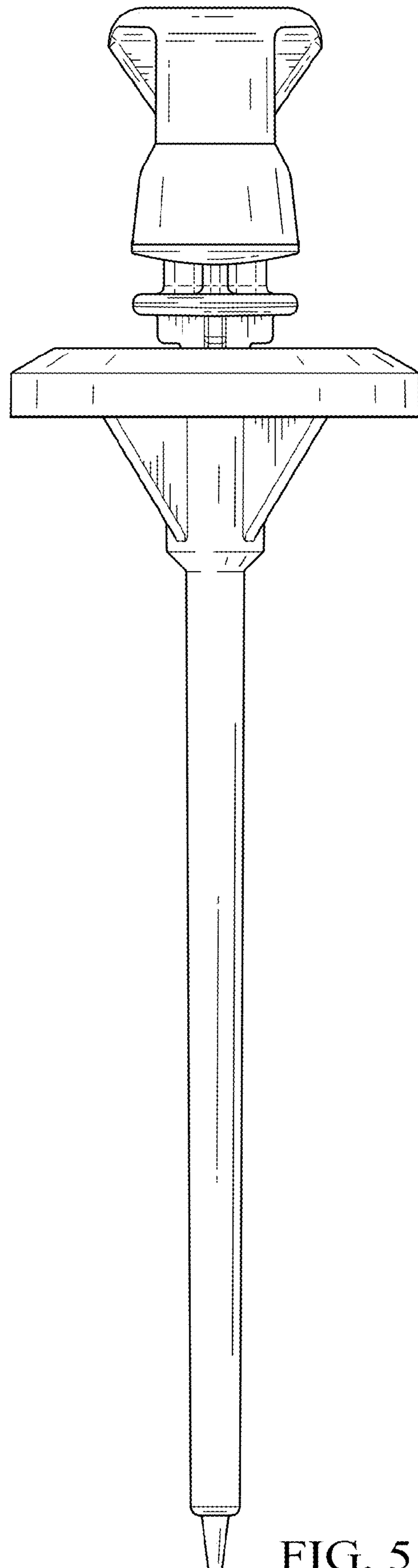


FIG. 5

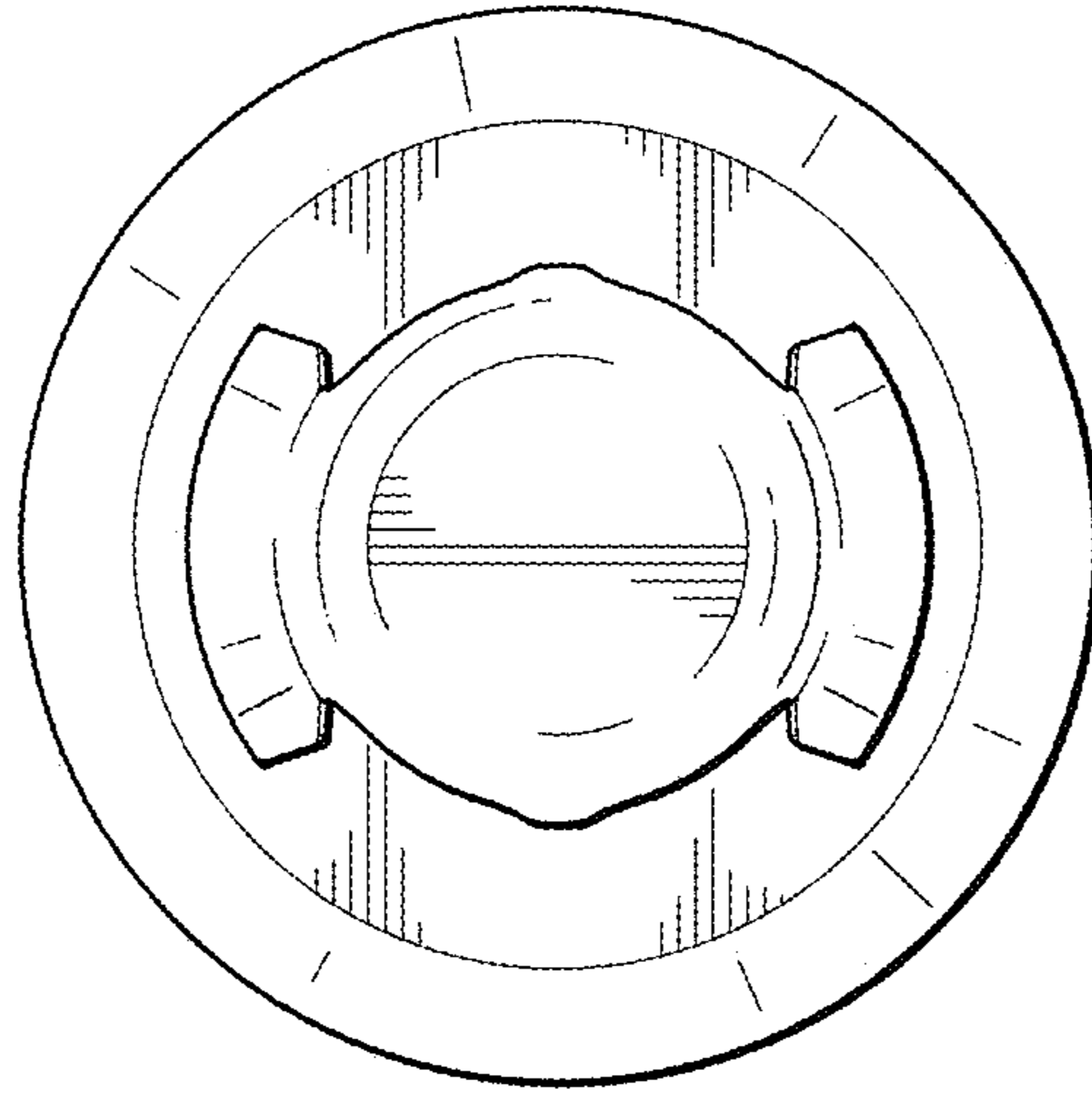


FIG. 6

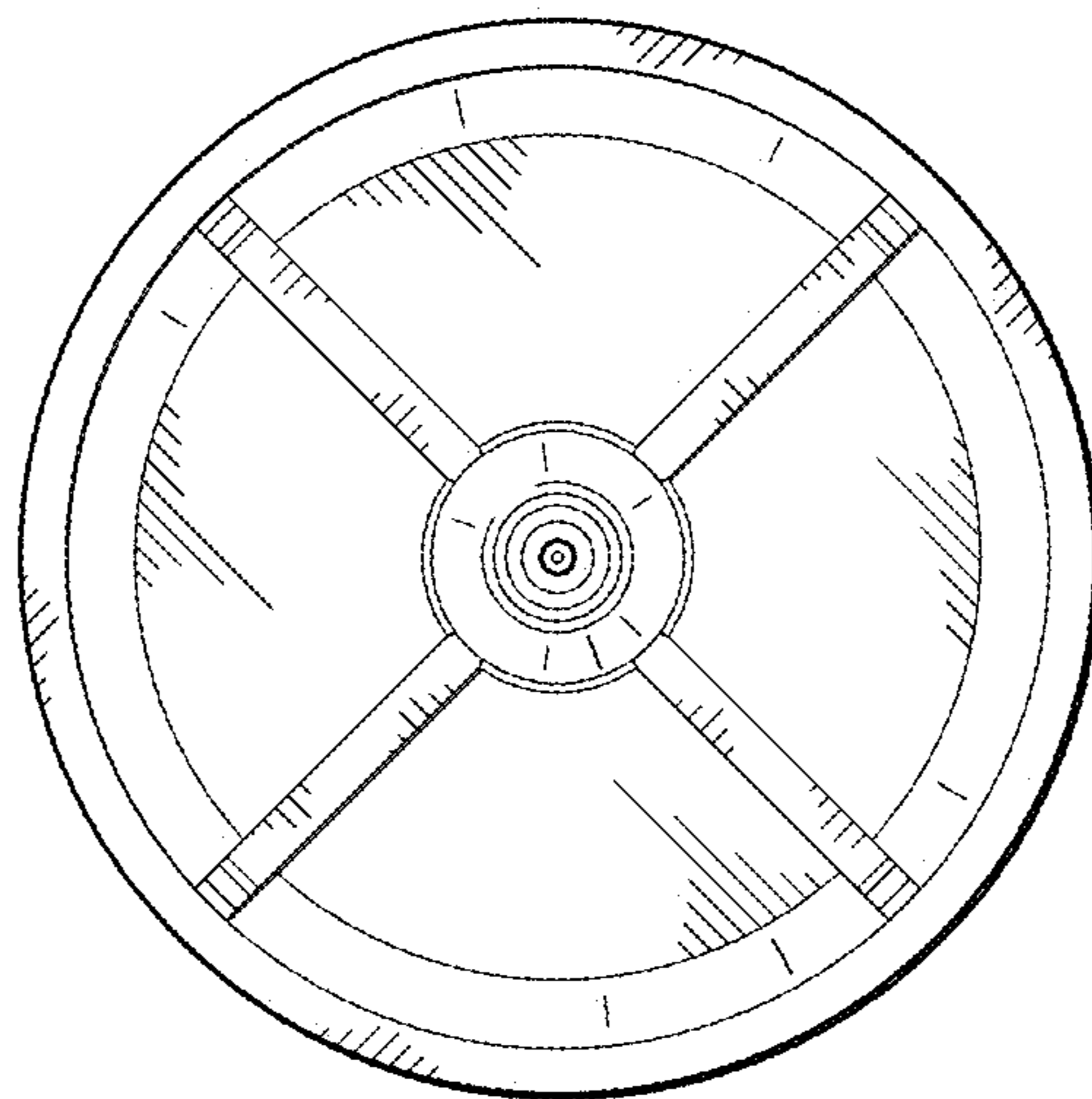


FIG. 7

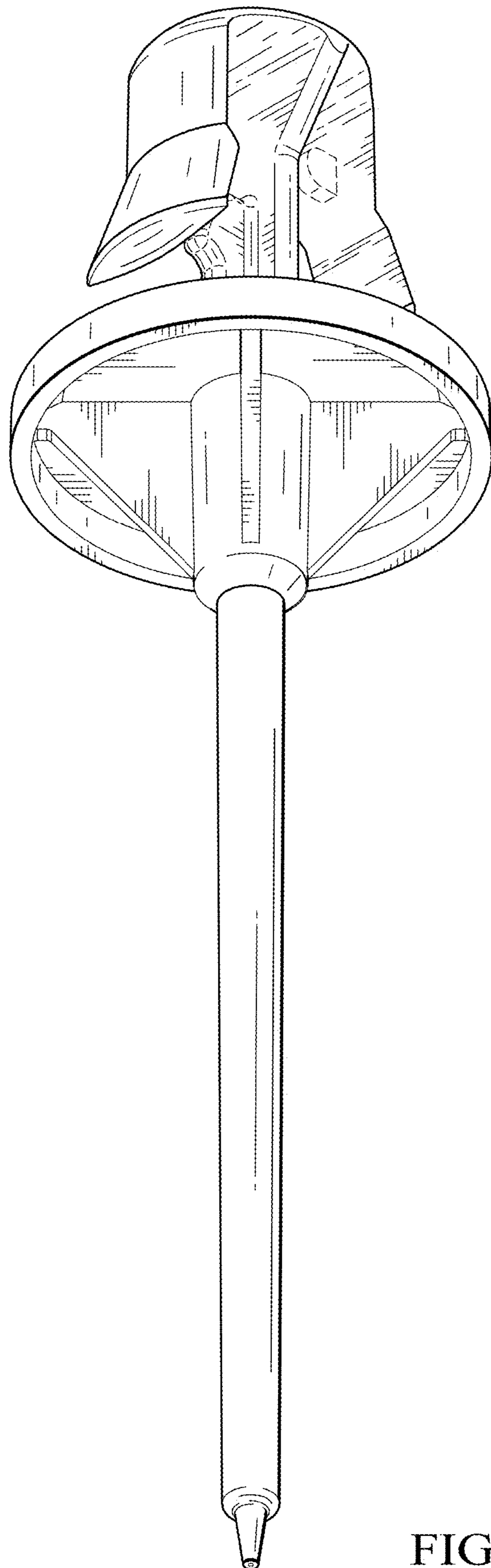


FIG. 8