



US00D982156S

(12) **United States Design Patent**
Cleathero et al.

(10) **Patent No.:** **US D982,156 S**
(45) **Date of Patent:** **** Mar. 28, 2023**

(54) **INFUSION PUMP**

(71) Applicant: **AbbVie Inc.**, North Chicago, IL (US)

(72) Inventors: **Ian Charles Cleathero**, Melton Mowbray (GB); **Carsten Petersen**, Hoejbjerg (DK)

(73) Assignee: **ABBVIE INC.**, North Chicago, IL (US)

(**) Term: **15 Years**

(21) Appl. No.: **29/699,801**

(22) Filed: **Jul. 29, 2019**

(51) **LOC (14) Cl.** **24-02**

(52) **U.S. Cl.**
USPC **D24/111**

(58) **Field of Classification Search**
USPC D24/108, 110–115, 117, 121, 127, 162,
D24/164, 185; D9/724, 529
CPC ... A61B 5/4809; A61B 5/4818; A61B 5/4806;
A61B 5/4815
See application file for complete search history.

(56) **References Cited**

U.S. PATENT DOCUMENTS

| | | | | |
|-------------------|---------|--------------|-------|------------------------|
| D752,736 S * | 3/2016 | Chandrasenan | | D24/111 |
| D809,134 S * | 1/2018 | Crothall | | D24/111 |
| D829,434 S * | 10/2018 | Petersen | | D3/203.1 |
| D831,821 S * | 10/2018 | Petersen | | D24/111 |
| D836,769 S * | 12/2018 | Kabel-Eckes | | D24/111 |
| D883,472 S * | 5/2020 | Hogerwerf | | D24/111 |
| 2007/0167912 A1 * | 7/2007 | Causey | | A61M 5/1454 604/131 |

(Continued)

FOREIGN PATENT DOCUMENTS

JP D1578812 S 11/2018

Primary Examiner — Aula Soroush

(74) *Attorney, Agent, or Firm* — Armstrong Teasdale LLP

(57) **CLAIM**

We claim the ornamental design for an infusion pump, as shown and described.

DESCRIPTION

FIG. 1 is a front perspective view of a first embodiment of an infusion pump in a closed position.

FIG. 2 is a front elevational view of the infusion pump shown in FIG. 1.

FIG. 3 is a rear elevational view of the infusion pump shown in FIG. 1.

FIG. 4 is a right side elevational view of the infusion pump shown in FIG. 1.

FIG. 5 is a left side elevational view of the infusion pump shown in FIG. 1.

FIG. 6 is a top view of the infusion pump shown in FIG. 1.

FIG. 7 is a bottom view of the infusion pump shown in FIG. 1.

FIG. 8 is a front perspective view of the infusion pump shown in FIG. 1 in an open position showing a cavity for receiving a syringe.

FIG. 9 is a front elevational view of the infusion pump shown in FIG. 8.

FIG. 10 is a rear elevational view of the infusion pump shown in FIG. 8.

FIG. 11 is a right side elevational view of the infusion pump shown in FIG. 8.

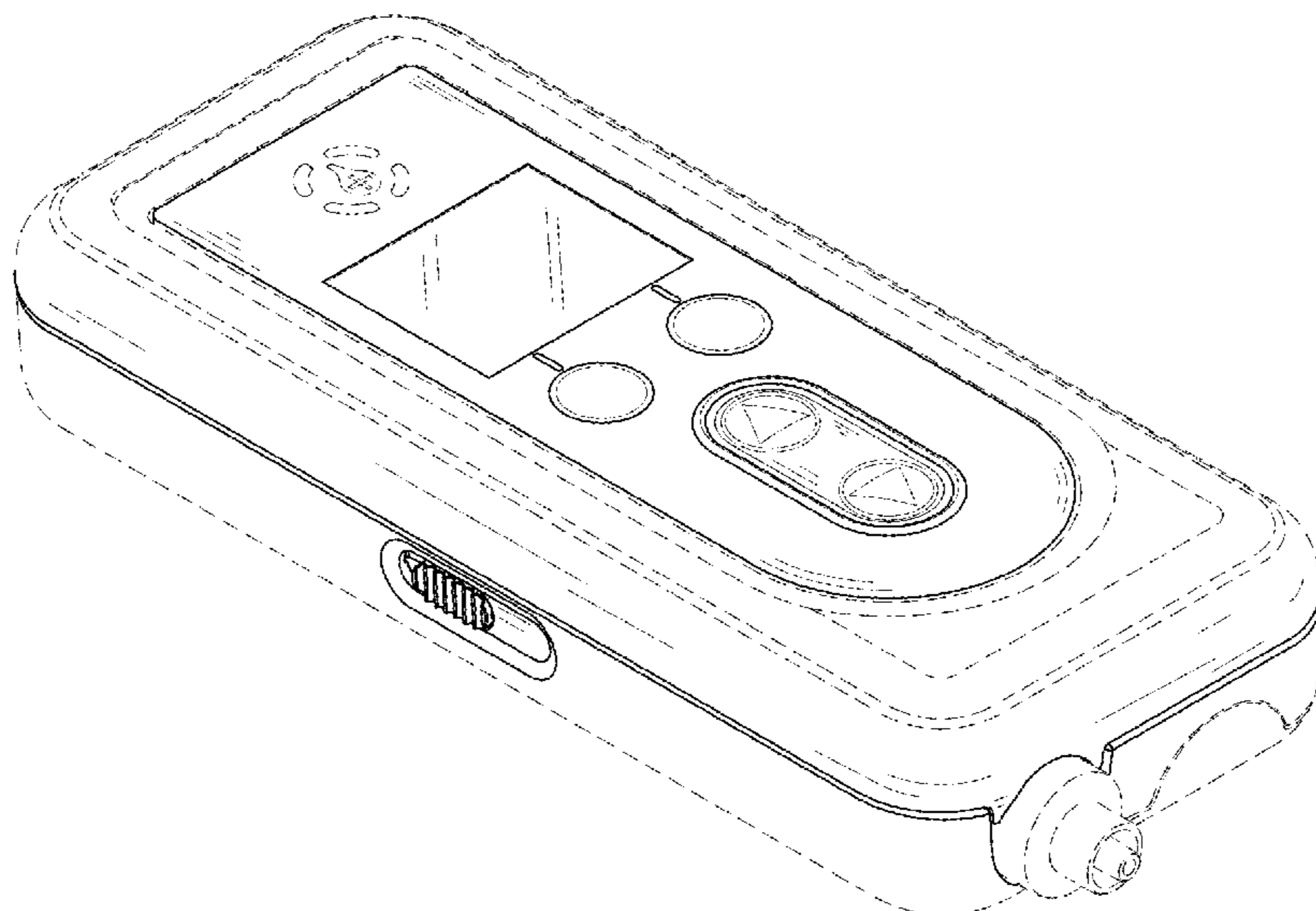
FIG. 12 is a left side elevational view of the infusion pump shown in FIG. 8.

FIG. 13 is a top view of the infusion pump shown in FIG. 8; and,

FIG. 14 is a bottom view of the infusion pump shown in FIG. 8.

The broken lines shown in the figures immediately adjacent to the shaded areas and defined unshaded regions represent the bounds of the claim. All other broken lines show portions of the infusion pump. The broken lines form non part of the claimed design.

1 Claim, 14 Drawing Sheets



(56)

References Cited

U.S. PATENT DOCUMENTS

2009/0069785 A1* 3/2009 Miller A61M 5/14244
604/500
2009/0069787 A1* 3/2009 Estes A61M 5/1723
604/503
2009/0156990 A1* 6/2009 Wenger G06F 16/60
604/67
2011/0040247 A1* 2/2011 Mandro G16H 20/17
604/66

* cited by examiner

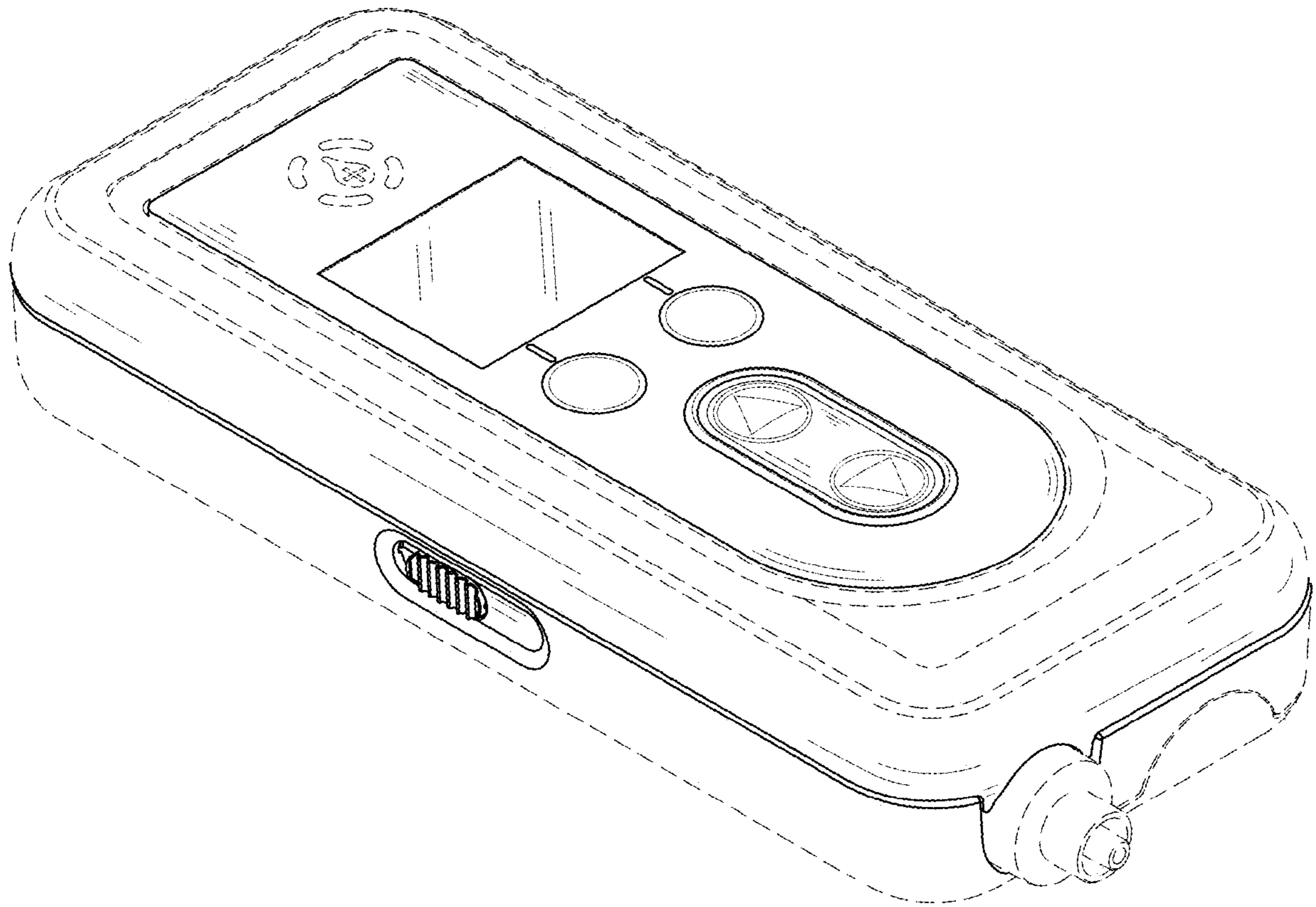


FIG. 1

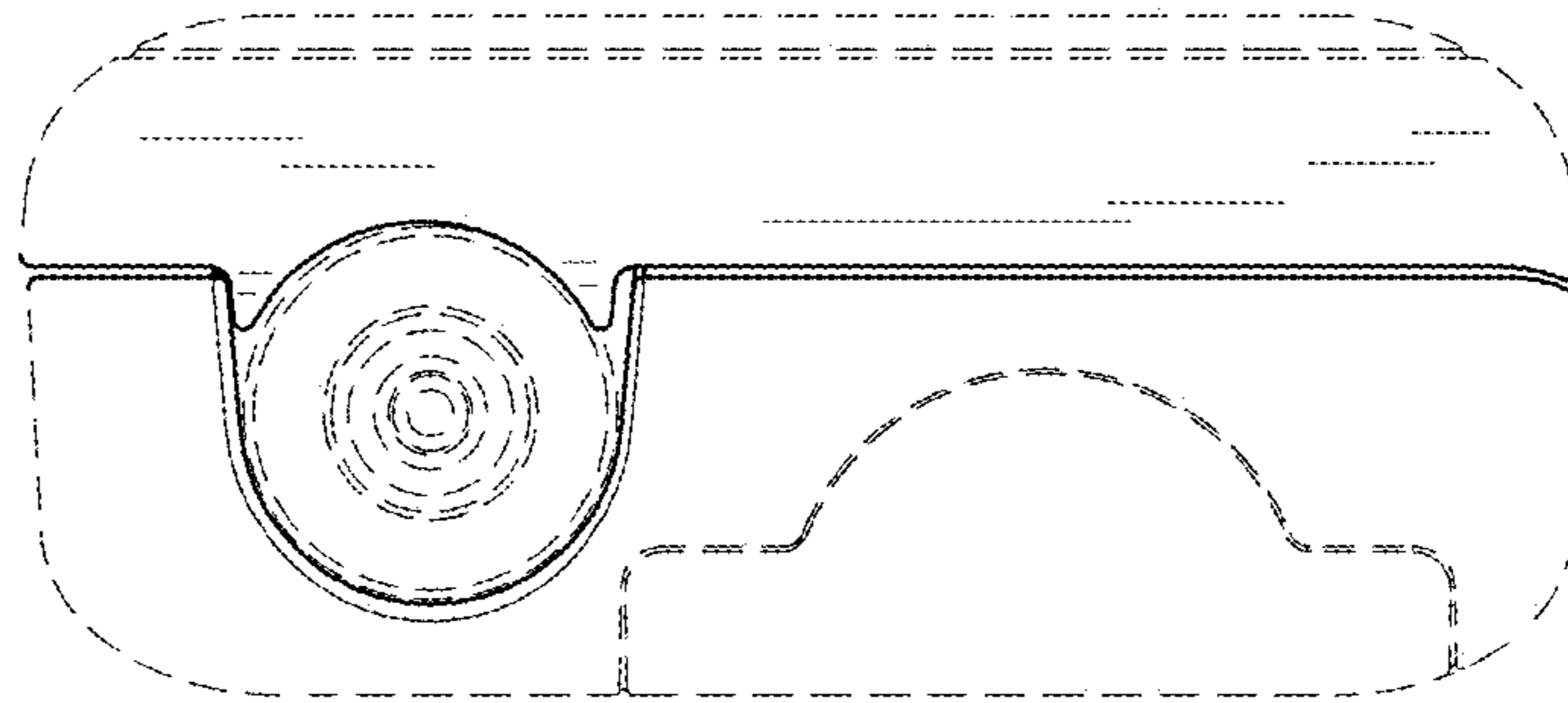


FIG. 2

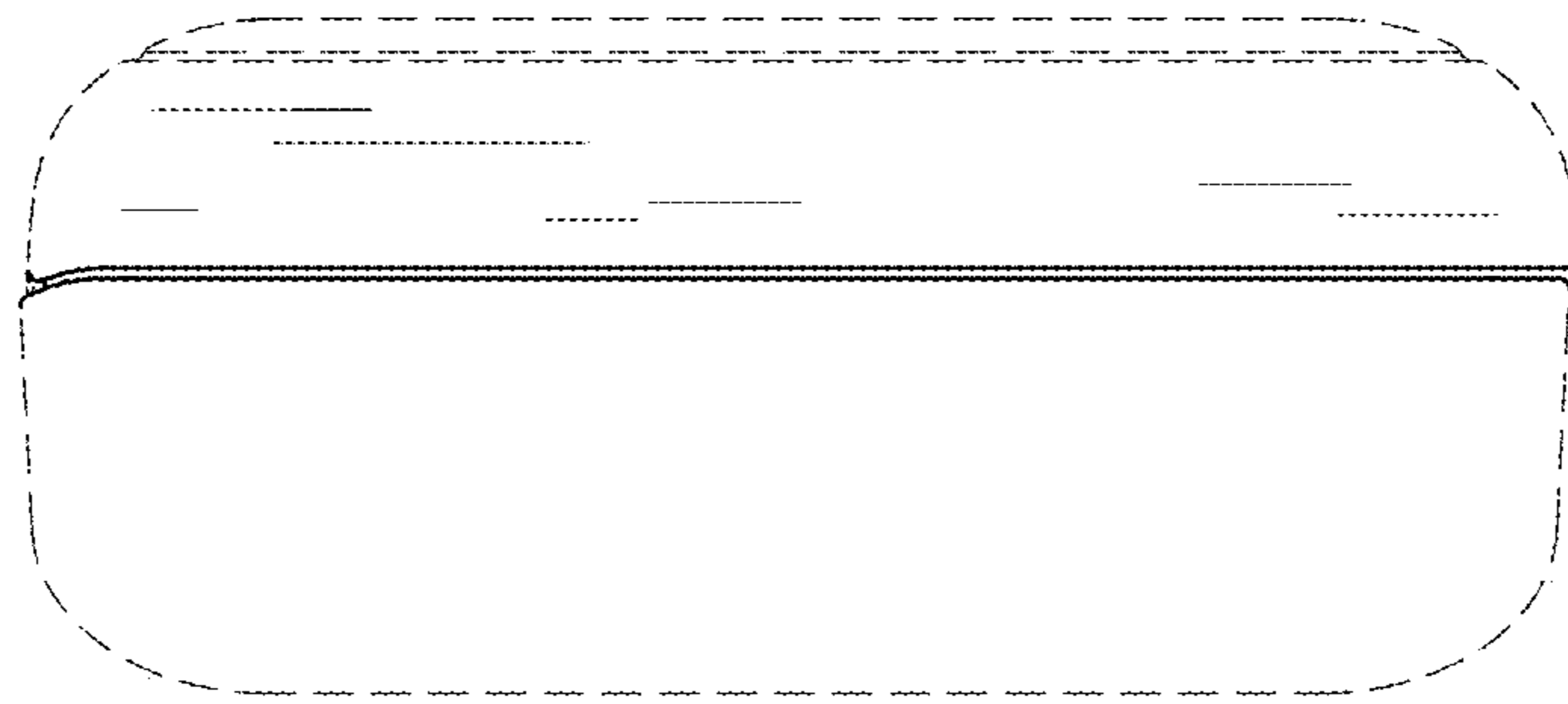


FIG. 3

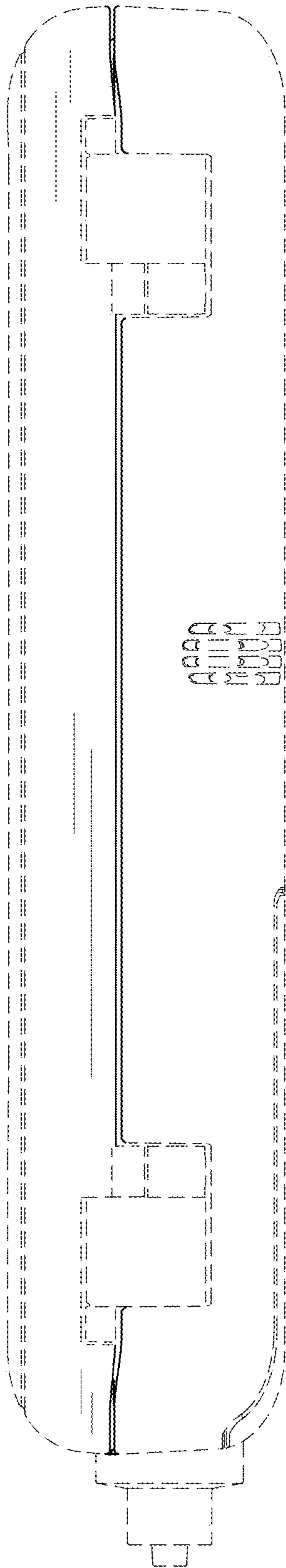


FIG. 4

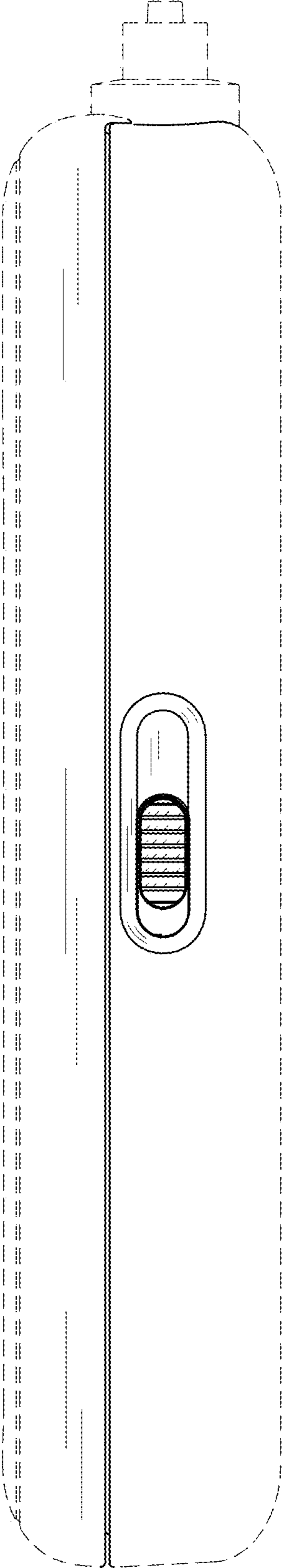


FIG. 5

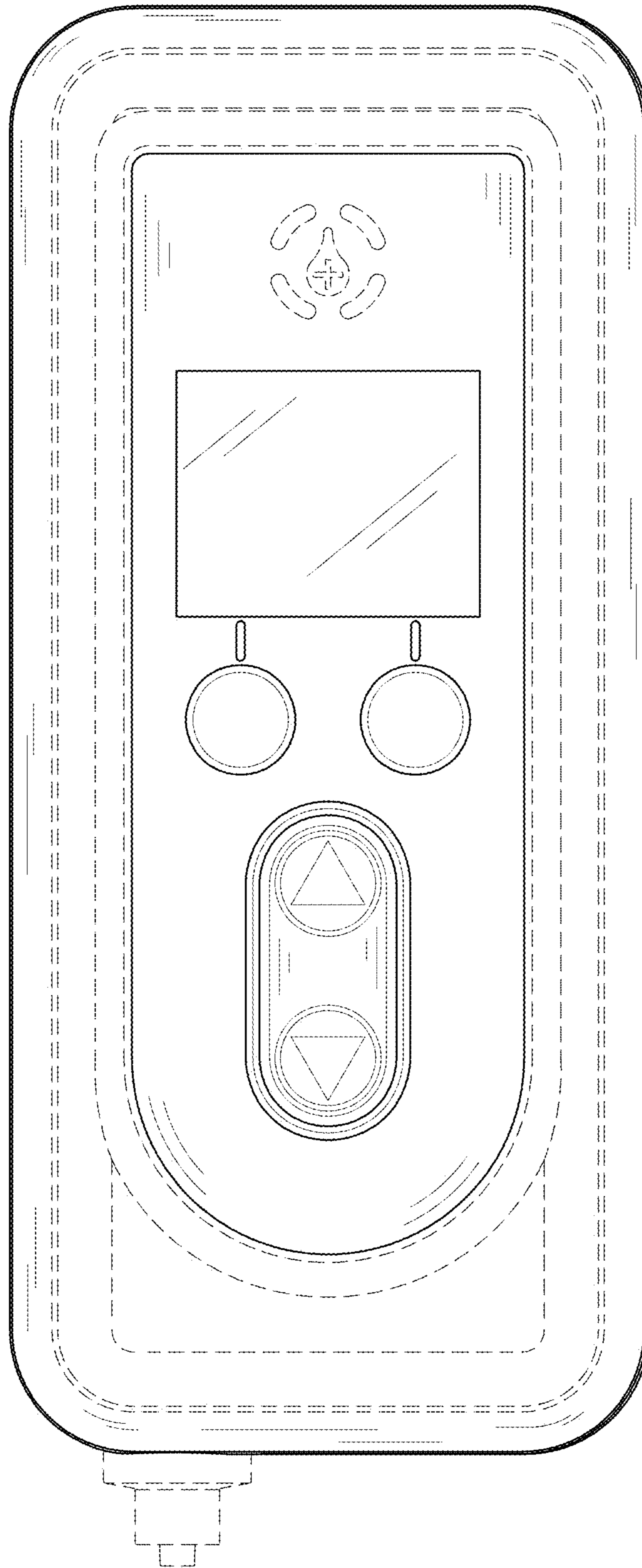


FIG. 6

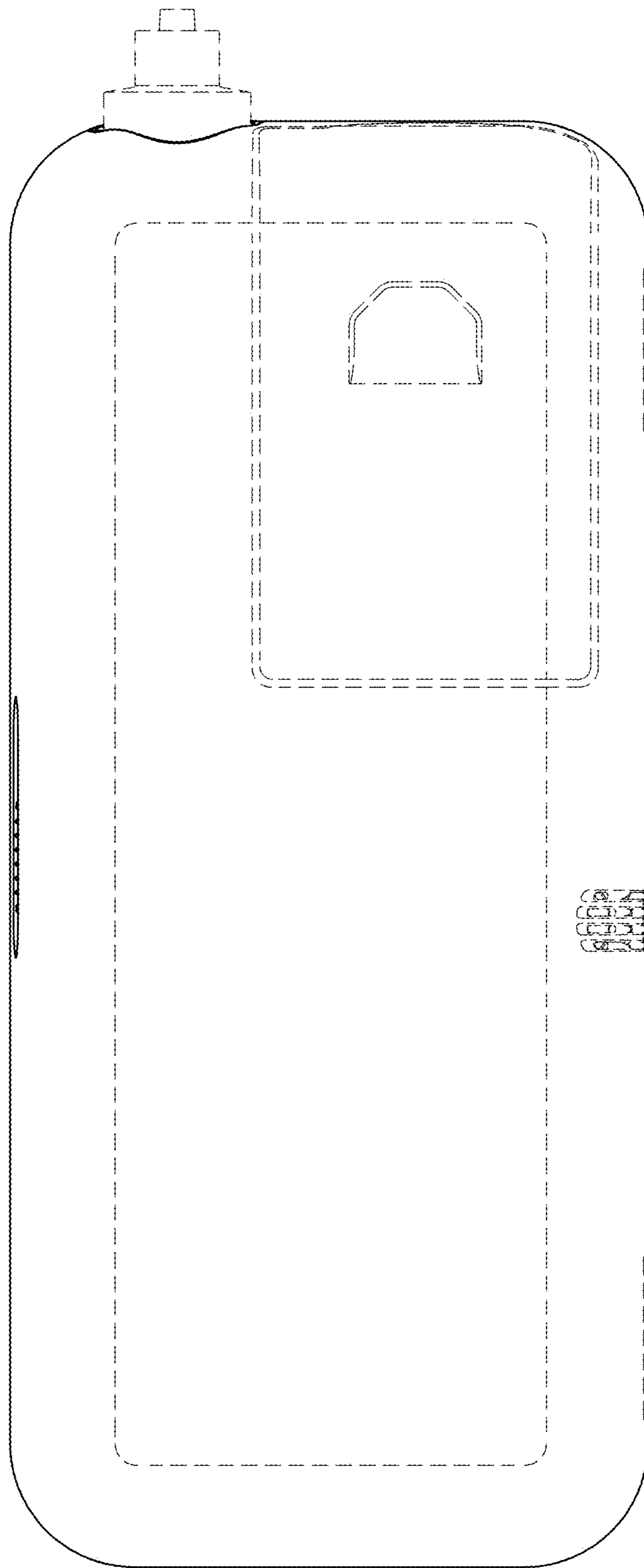


FIG. 7

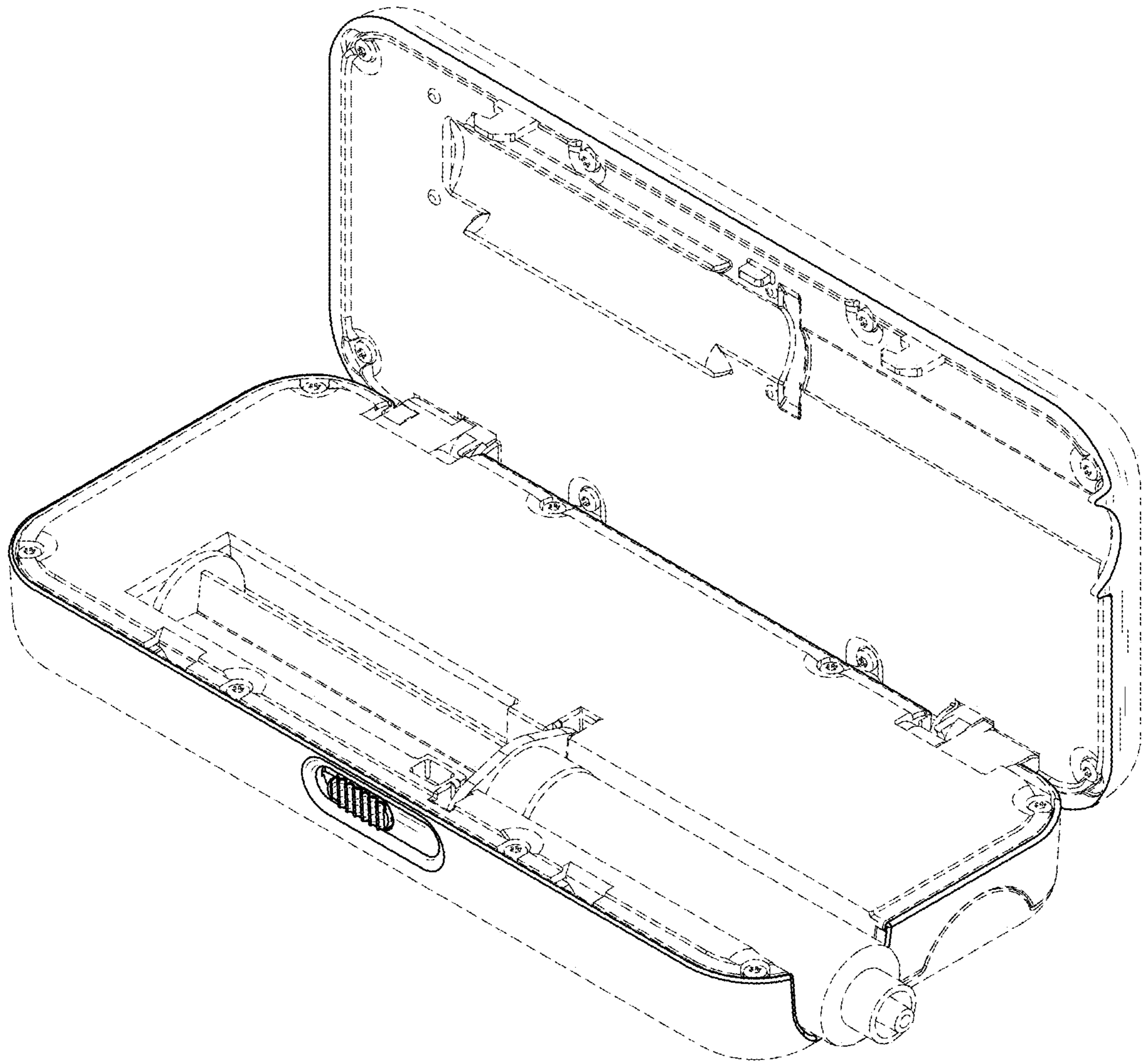


FIG. 8

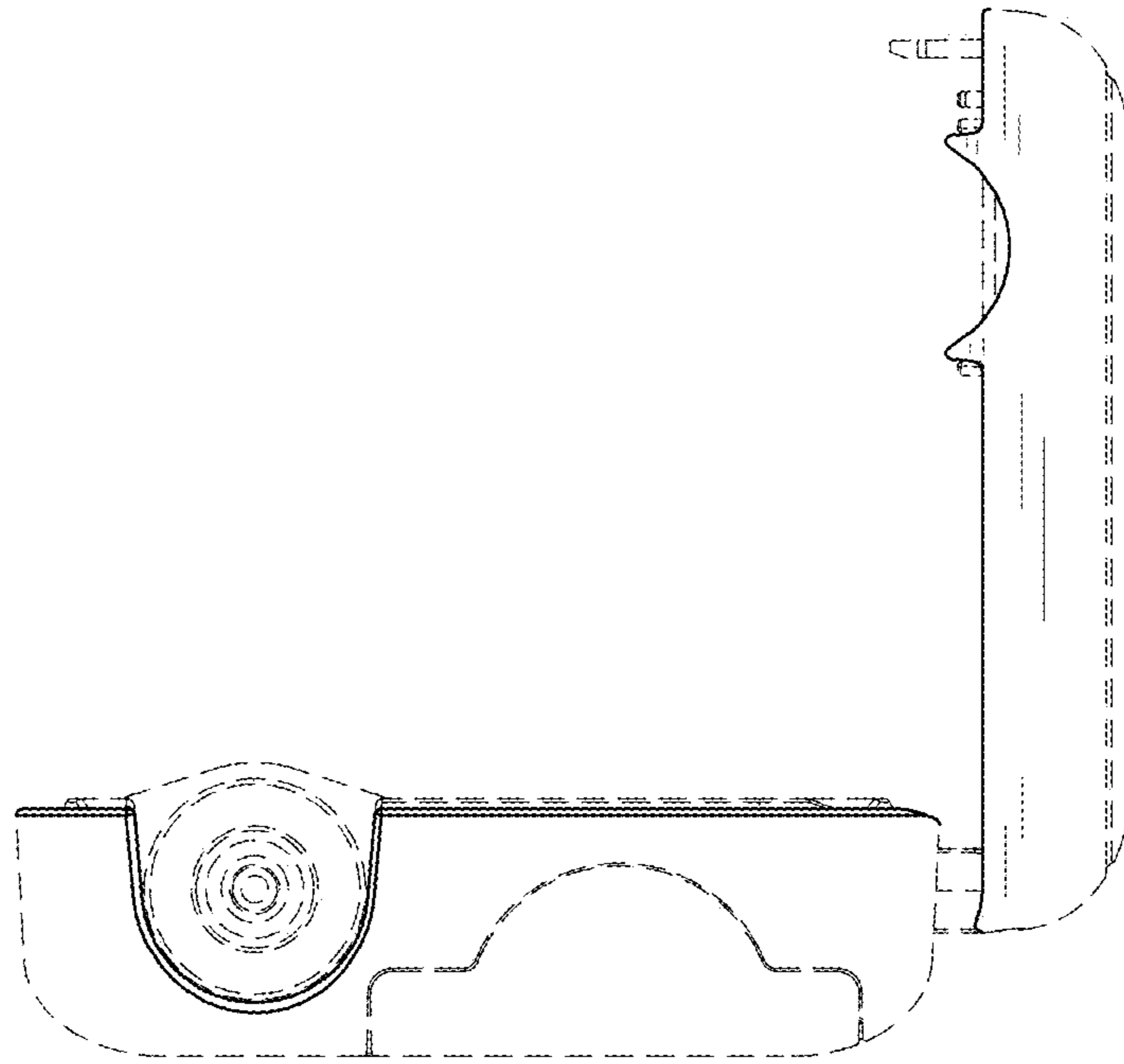


FIG. 9

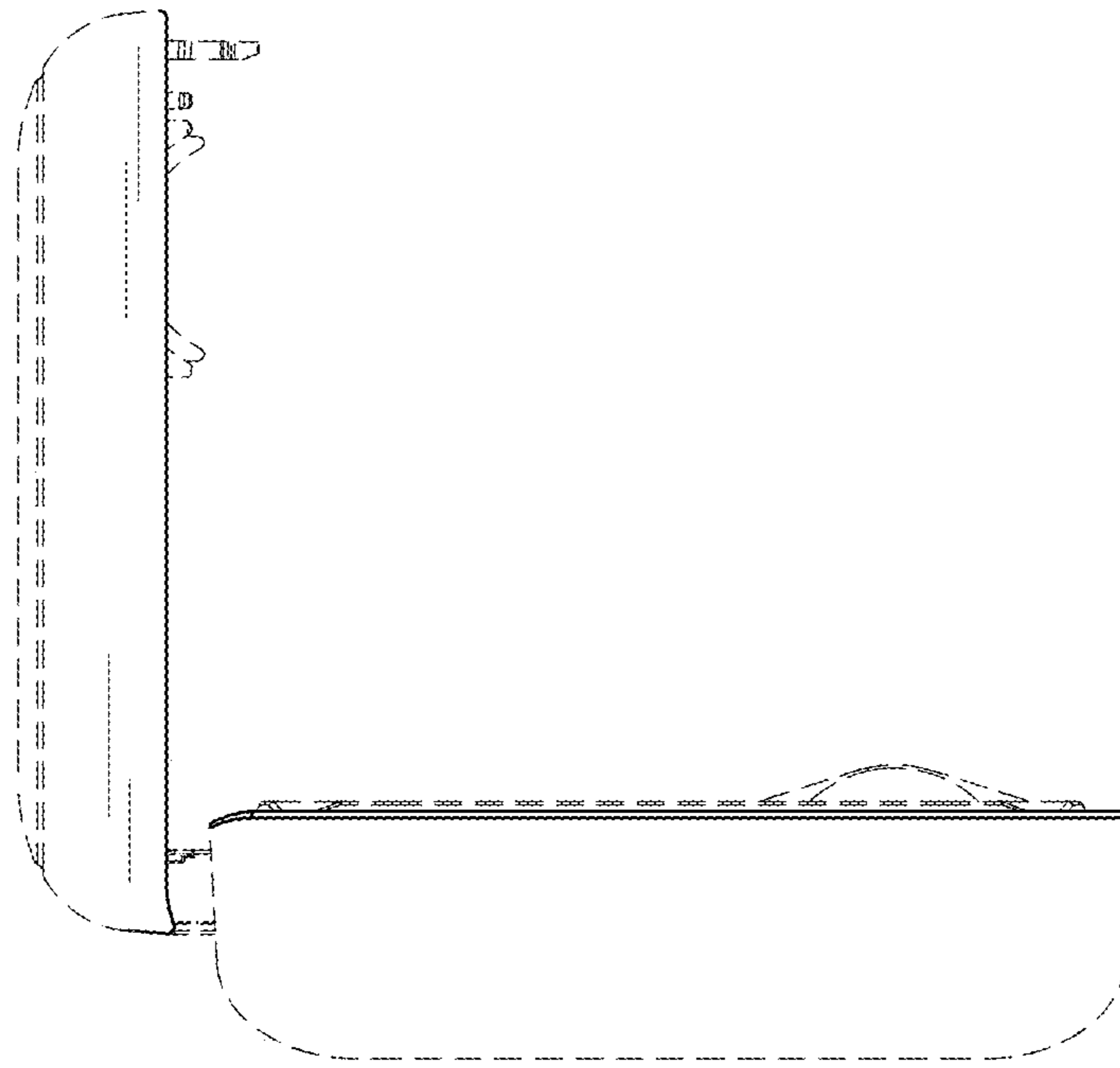


FIG. 10

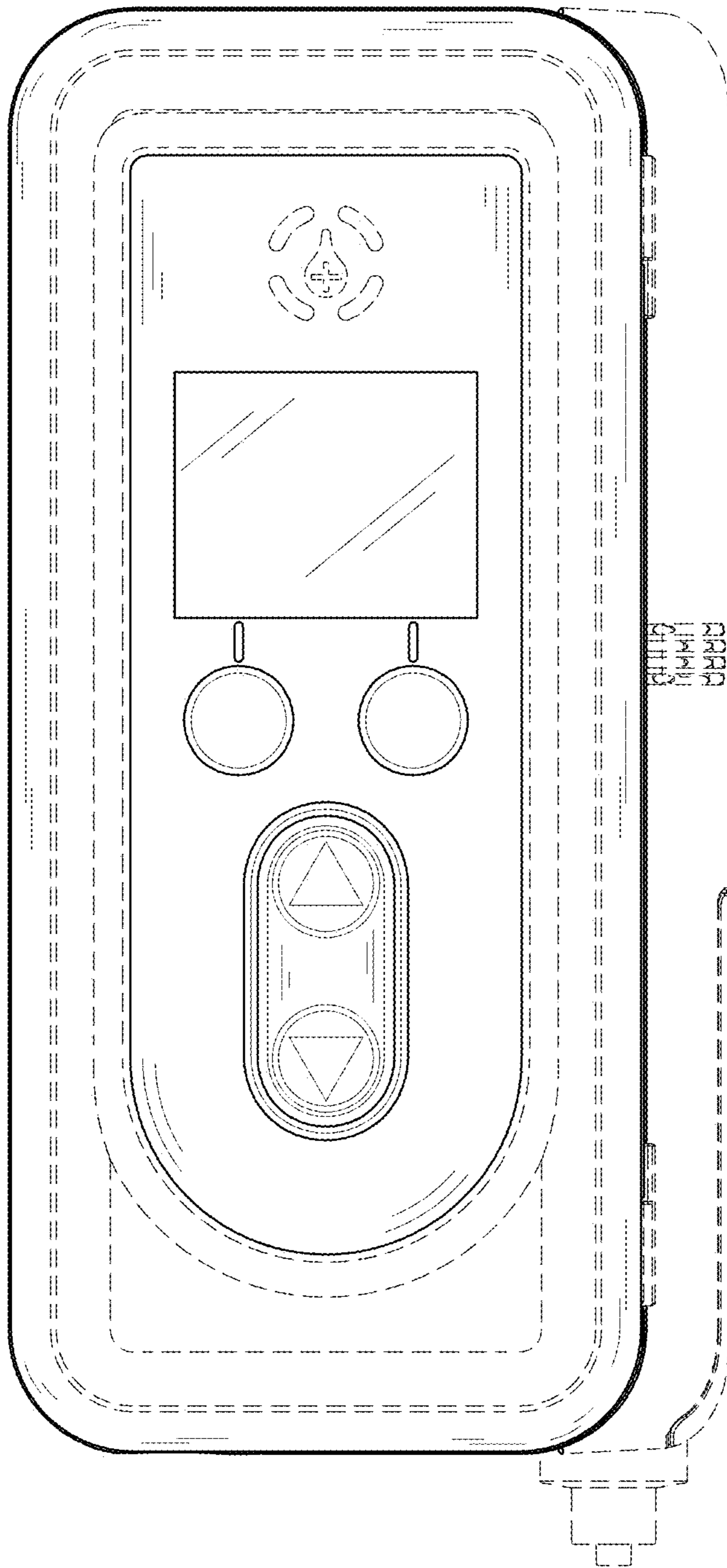


FIG. 11

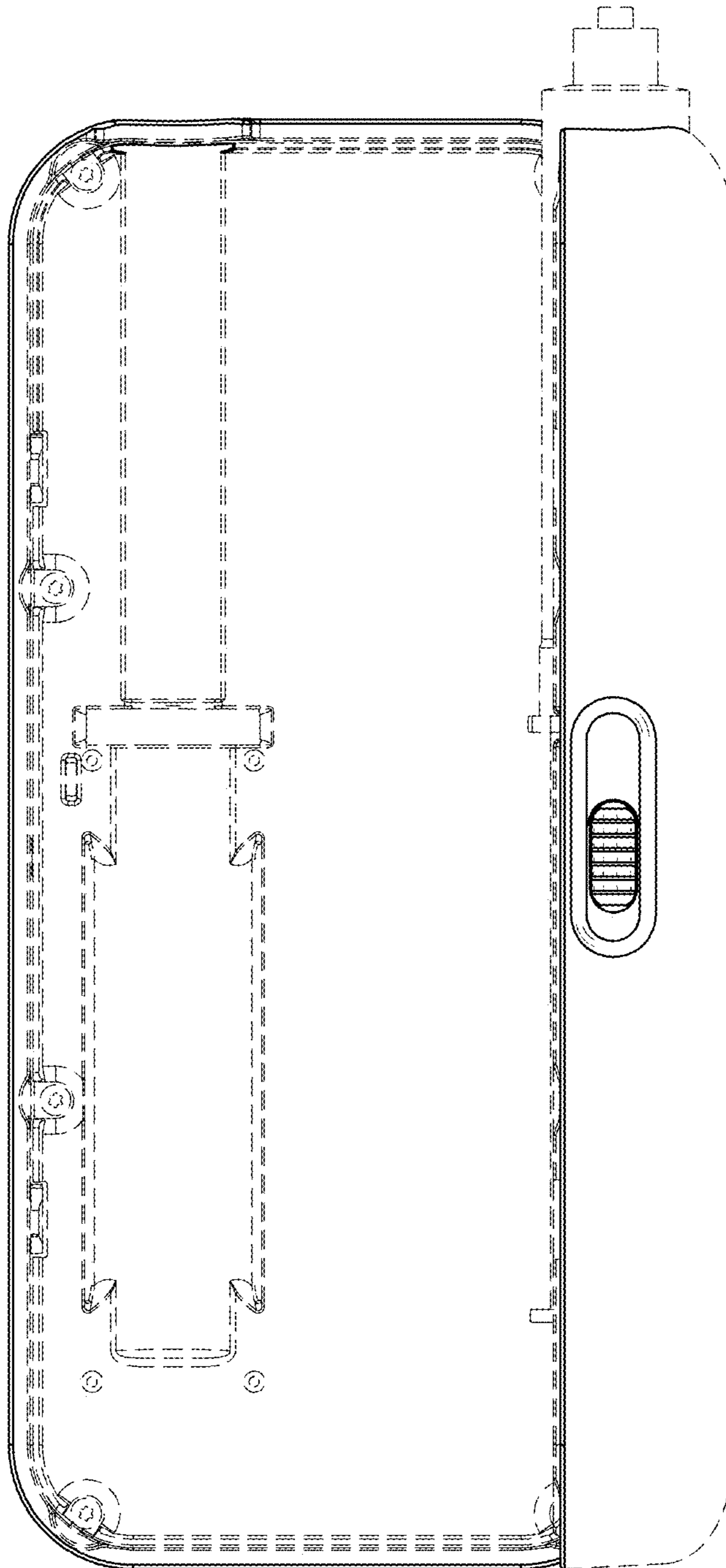


FIG. 12

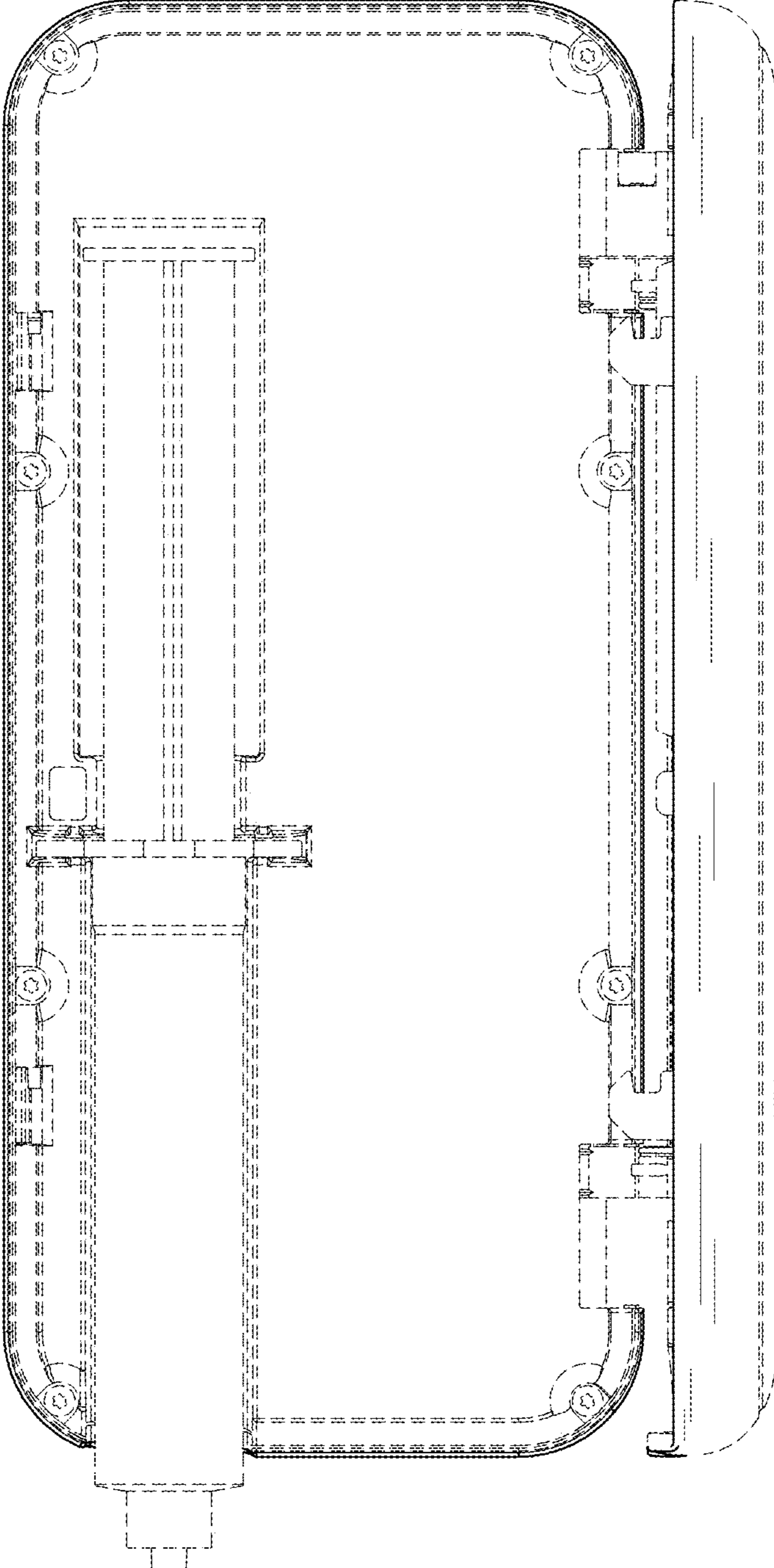


FIG. 13

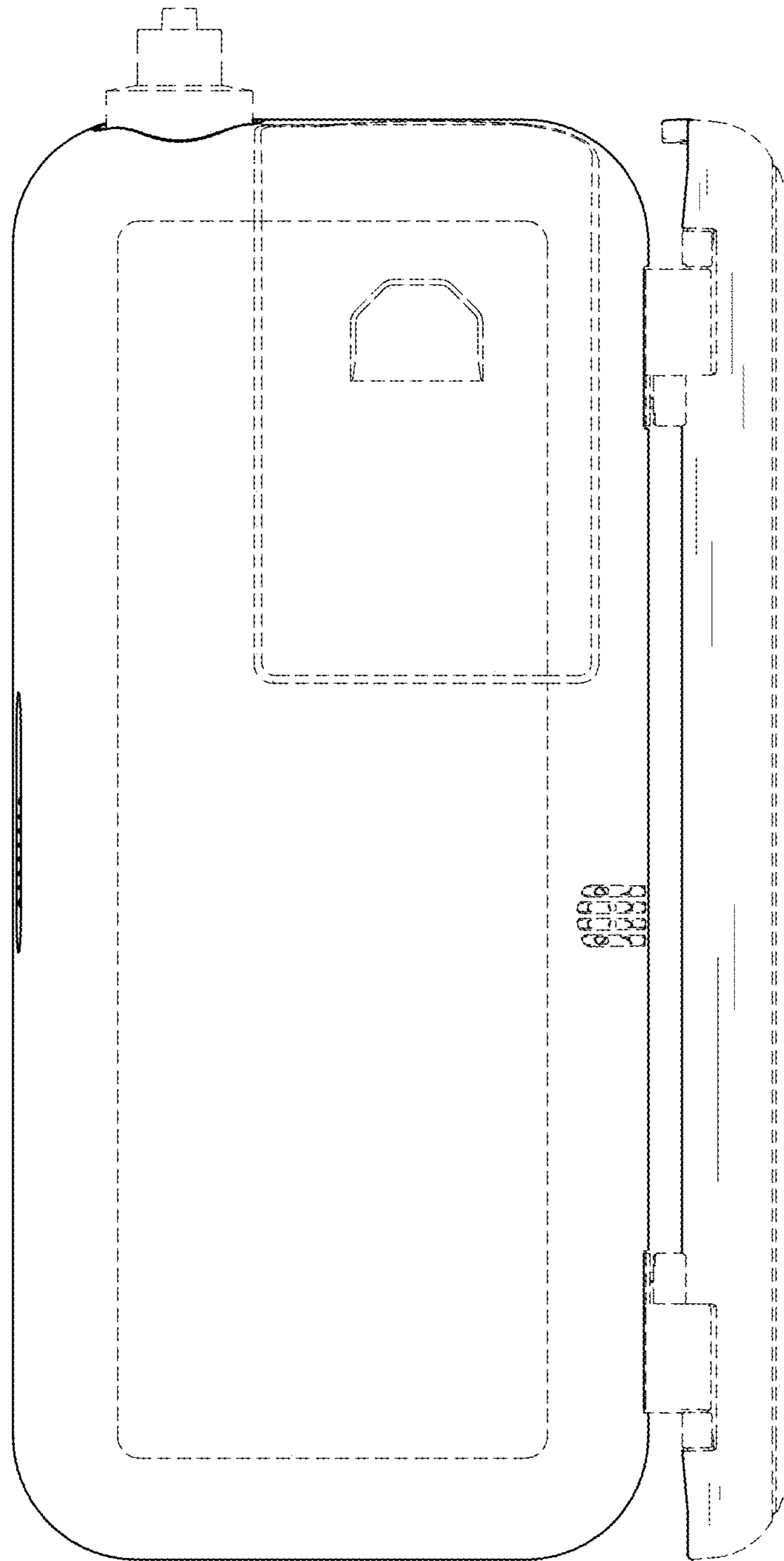


FIG. 14