



US00D982155S

(12) **United States Design Patent**
Fei

(10) **Patent No.:** **US D982,155 S**

(45) **Date of Patent:** **** Mar. 28, 2023**

(54) **RESPIRATOR WITH SHIELD**

(71) Applicant: **Vitacore Industries Inc.**, Burnaby (CA)

(72) Inventor: **Yang Fei**, Burnaby (CA)

(73) Assignee: **Vitacore Industries Inc.**, Burnaby (CA)

(**) Term: **15 Years**

(21) Appl. No.: **29/807,334**

(22) Filed: **Sep. 10, 2021**

(51) **LOC (14) Cl.** **29-02**

(52) **U.S. Cl.**
USPC **D24/110.2; D29/110**

(58) **Field of Classification Search**
USPC D24/110, 110.1–110.6; D29/108, 110
CPC . A41D 13/11; A41D 13/1107; A41D 13/1115;
A41D 13/1123; A41D 13/113; A41D
13/1138; A41D 13/1146; A41D 13/1153;
A41D 13/1161; A41D 13/1169; A41D
13/1176; A41D 13/1184; A61M 16/06;
A62B 18/00; A62B 18/02; A62B 18/025;
A62B 23/00
See application file for complete search history.

(56) **References Cited**

U.S. PATENT DOCUMENTS

2,056,753	A *	10/1936	Wagner	A41D 13/11 D24/110.2
4,944,294	A *	7/1990	Borek, Jr.	A62B 18/082 128/201.15
5,020,533	A *	6/1991	Hubbard	A41D 13/1115 2/427
D319,111	S *	8/1991	Sandel	D24/110.2
5,307,796	A *	5/1994	Kronzer	A41D 13/1146 128/206.16
D355,714	S *	2/1995	Hubbard	D24/110.2
5,765,556	A *	6/1998	Brunson	A41D 13/1123 128/206.28

D416,323 S * 11/1999 Henderson D24/110.1
6,102,039 A * 8/2000 Springett A41D 13/1146
128/206.12

D443,927 S * 6/2001 Chen D24/110.1

(Continued)

Primary Examiner — Richard Kearney

Assistant Examiner — Michael Hoffman

(74) *Attorney, Agent, or Firm* — Young Law Firm, P.C.

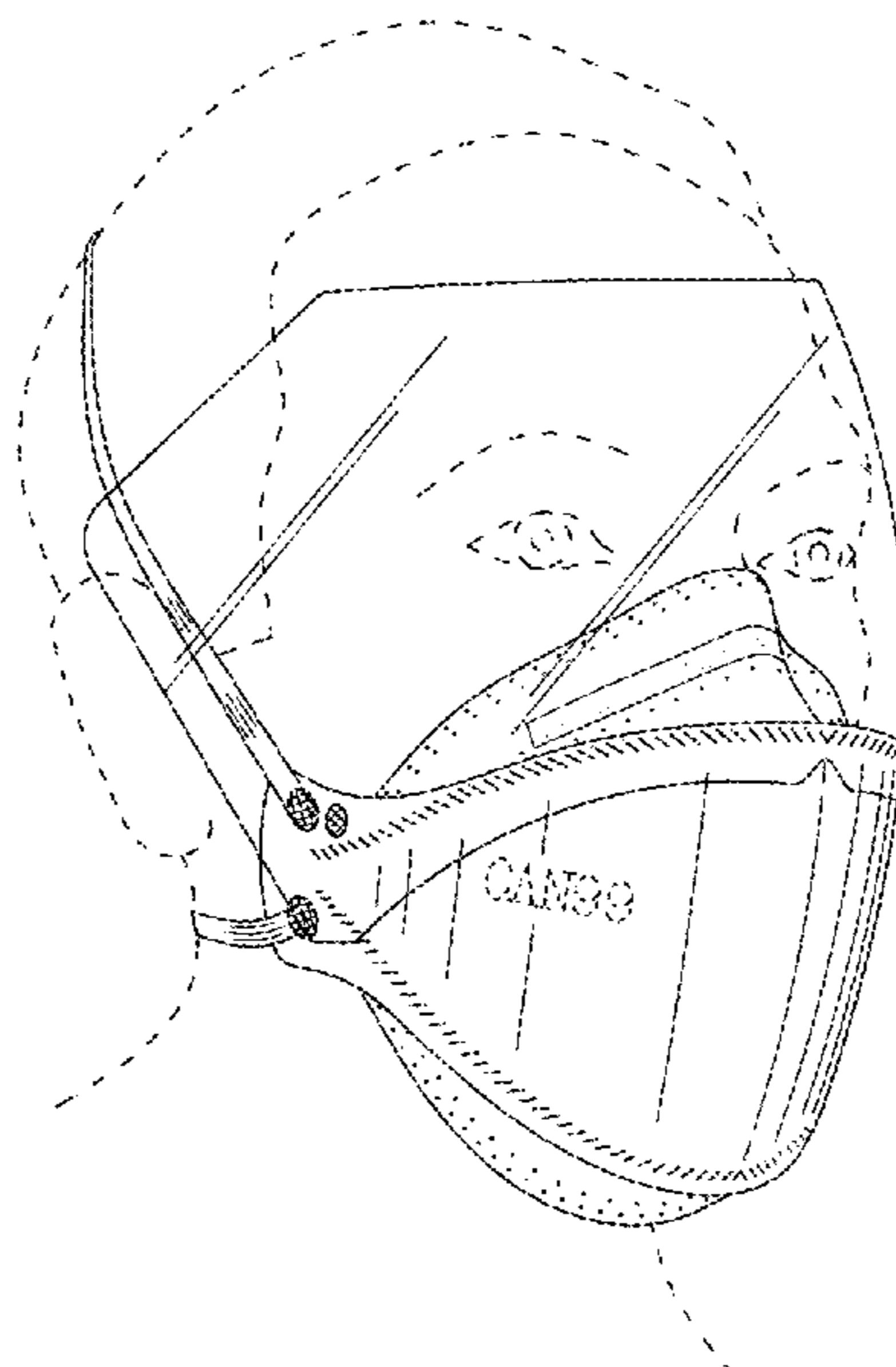
(57) **CLAIM**

The ornamental design for a respirator with shield, as shown and described.

DESCRIPTION

FIG. 1 is a front perspective view of the respirator with shield showing the present design;
 FIG. 2 is a front view of the respirator with shield shown in FIG. 1;
 FIG. 3 is a rear view of the respirator with shield shown in FIG. 1;
 FIG. 4 is a left view of the respirator with shield shown in FIG. 1;
 FIG. 5 is a right view of the respirator with shield shown in FIG. 1;
 FIG. 6 is a top view of the respirator with shield shown in FIG. 1;
 FIG. 7 is a bottom view of the respirator with shield shown in FIG. 1;
 FIG. 8 is a front perspective view of the respirator with shield shown in FIG. 1 shown in a state of use.
 FIG. 9 is a front view of the respirator with shield shown in FIG. 1 in the folded position; and,
 FIG. 10 is a rear view of the respirator with shield shown in FIG. 1 in the folded position.
 The broken lines shown in the drawings illustrate environmental subject matter and form no part of the claimed design.

1 Claim, 5 Drawing Sheets



(56)

References Cited

U.S. PATENT DOCUMENTS

6,394,090 B1 * 5/2002 Chen A41D 13/113
128/206.16
D519,208 S * 4/2006 Wolfe D24/110.1
7,117,868 B1 * 10/2006 Japuntich A62B 18/025
128/205.27
D620,104 S * 7/2010 Curran D24/110.1
11,213,080 B2 * 1/2022 Henderson A41D 13/1161
D949,328 S * 4/2022 Boyé D24/110.1
D951,432 S * 5/2022 Dominion D29/108
D968,589 S * 11/2022 Osorio D29/108

* cited by examiner

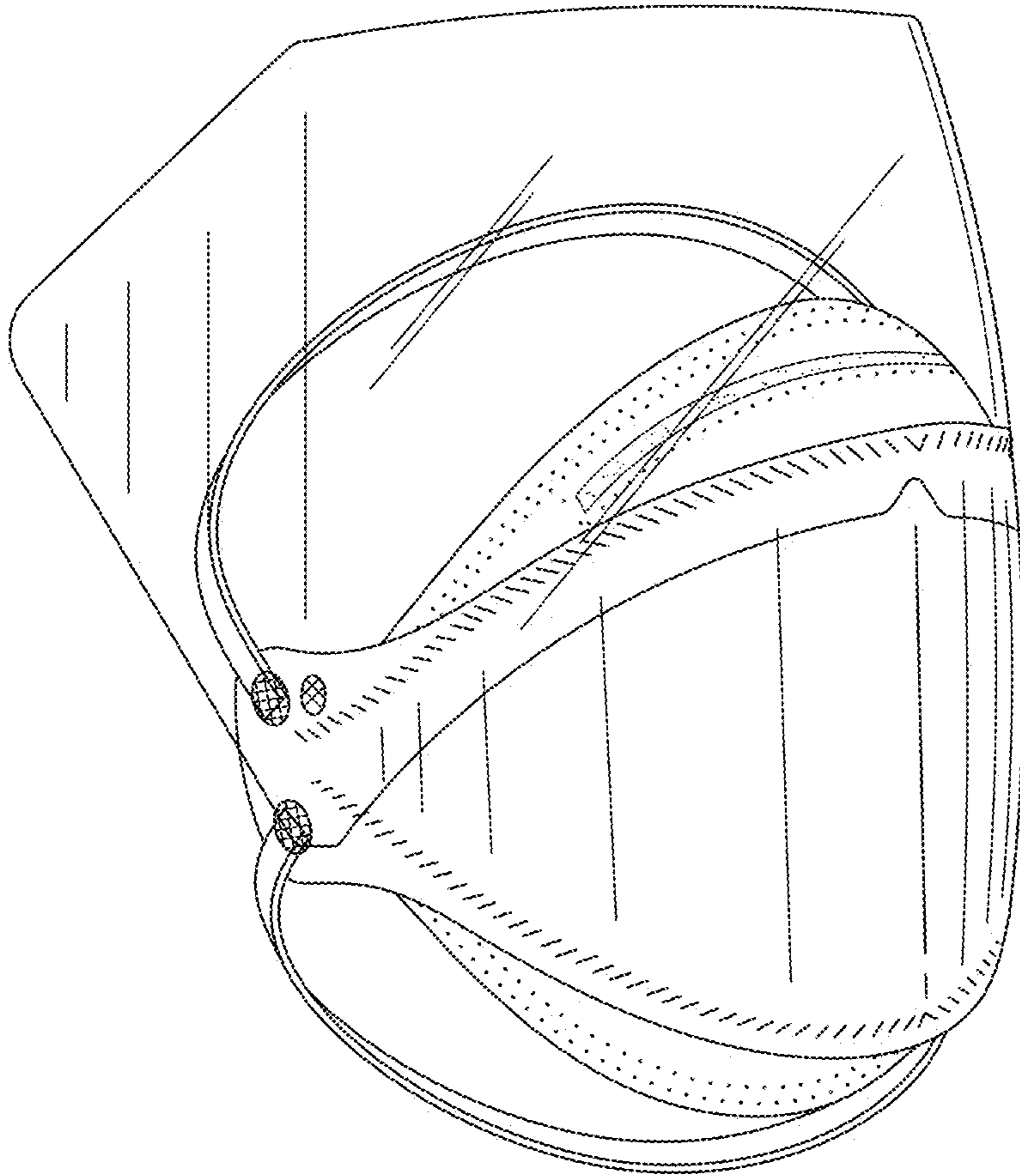


FIG. 1

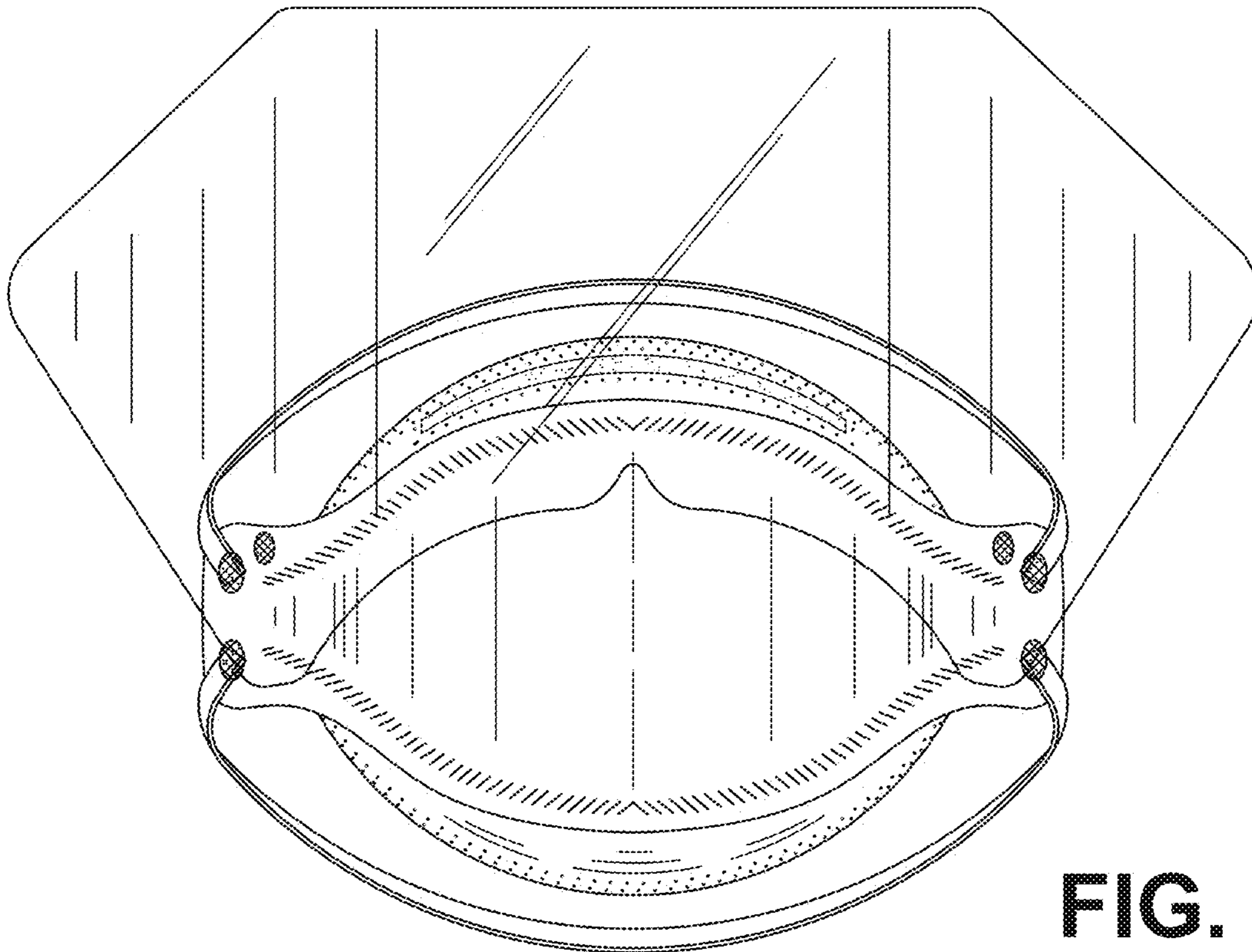


FIG. 2

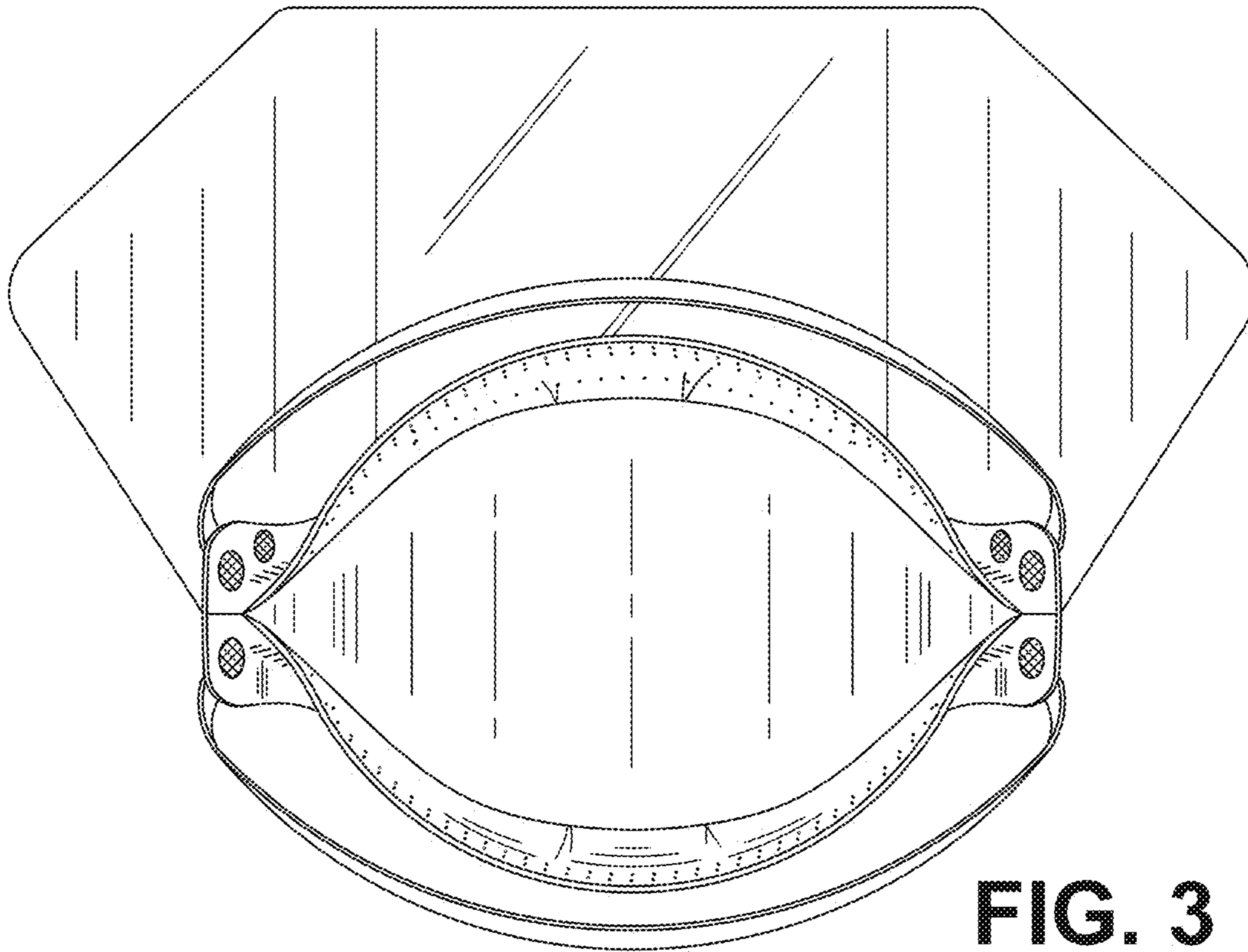


FIG. 3

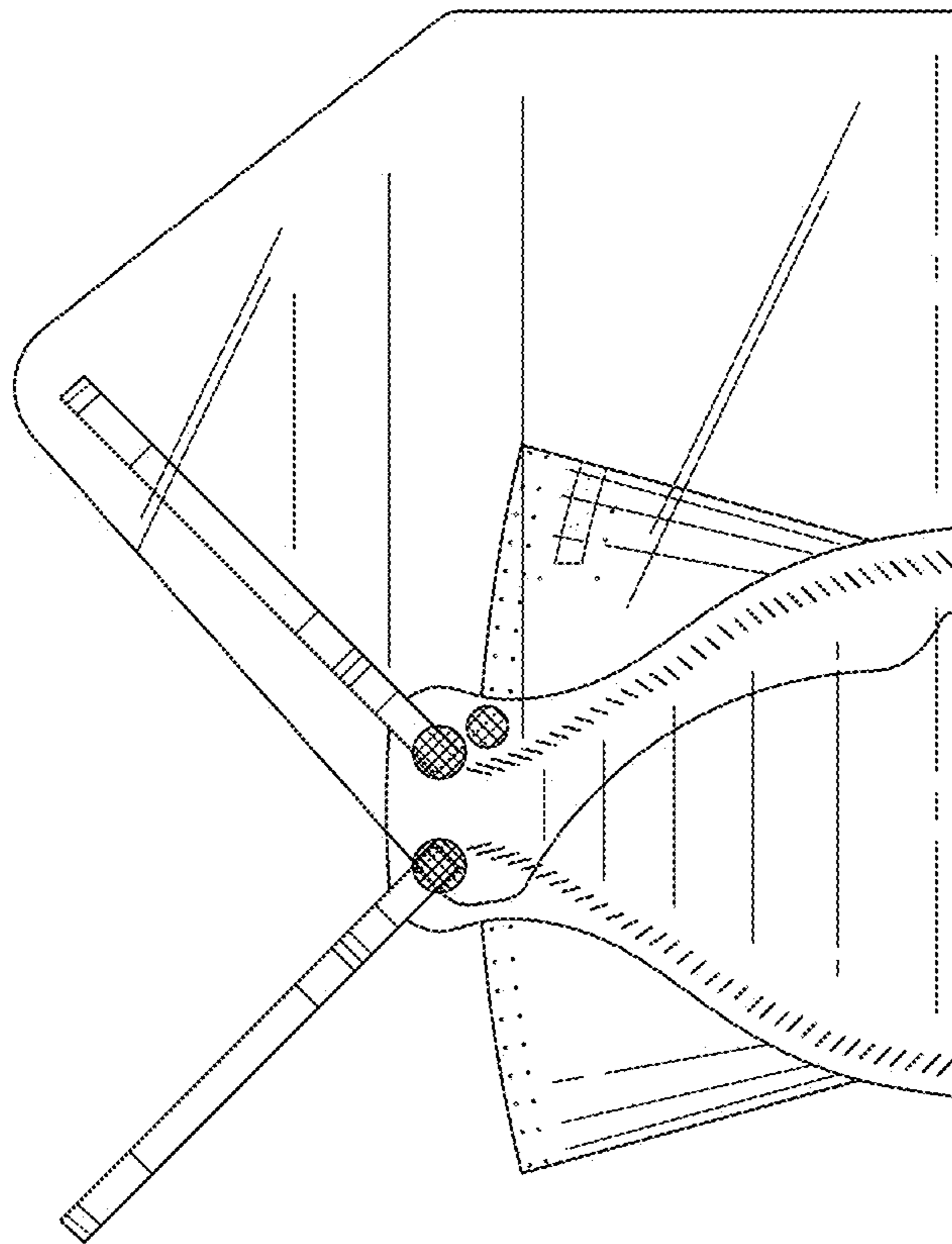


FIG. 4

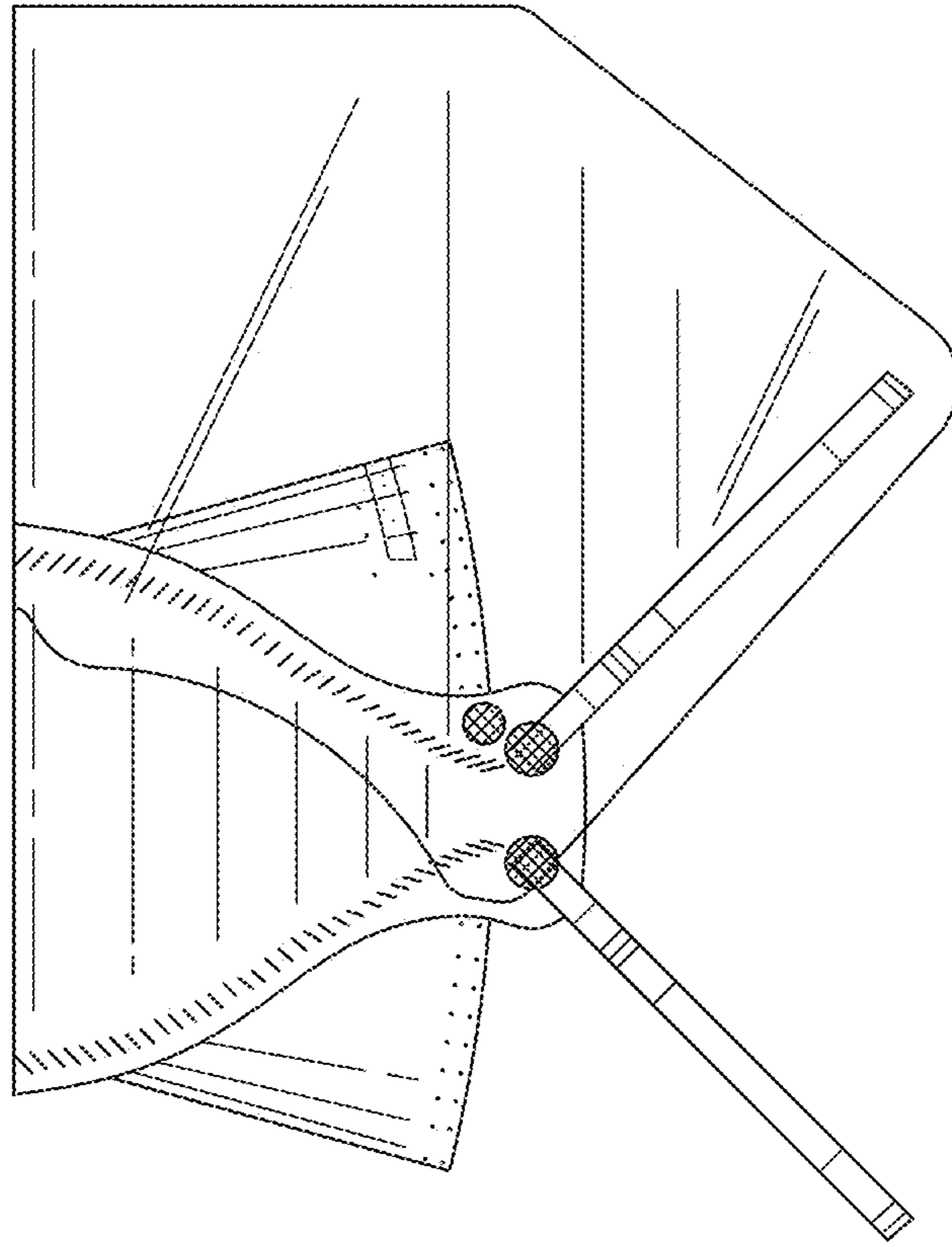


FIG. 5

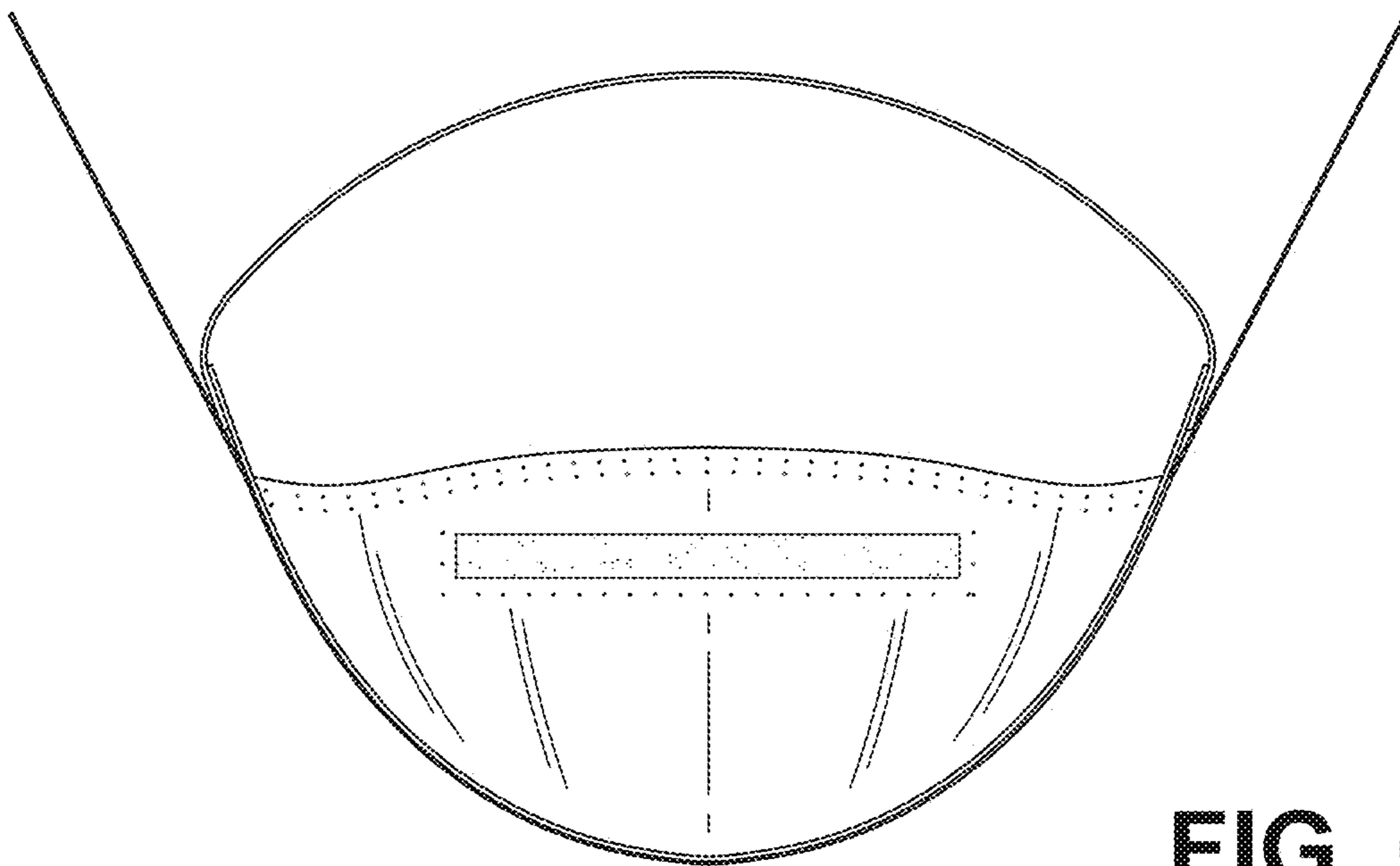


FIG. 6

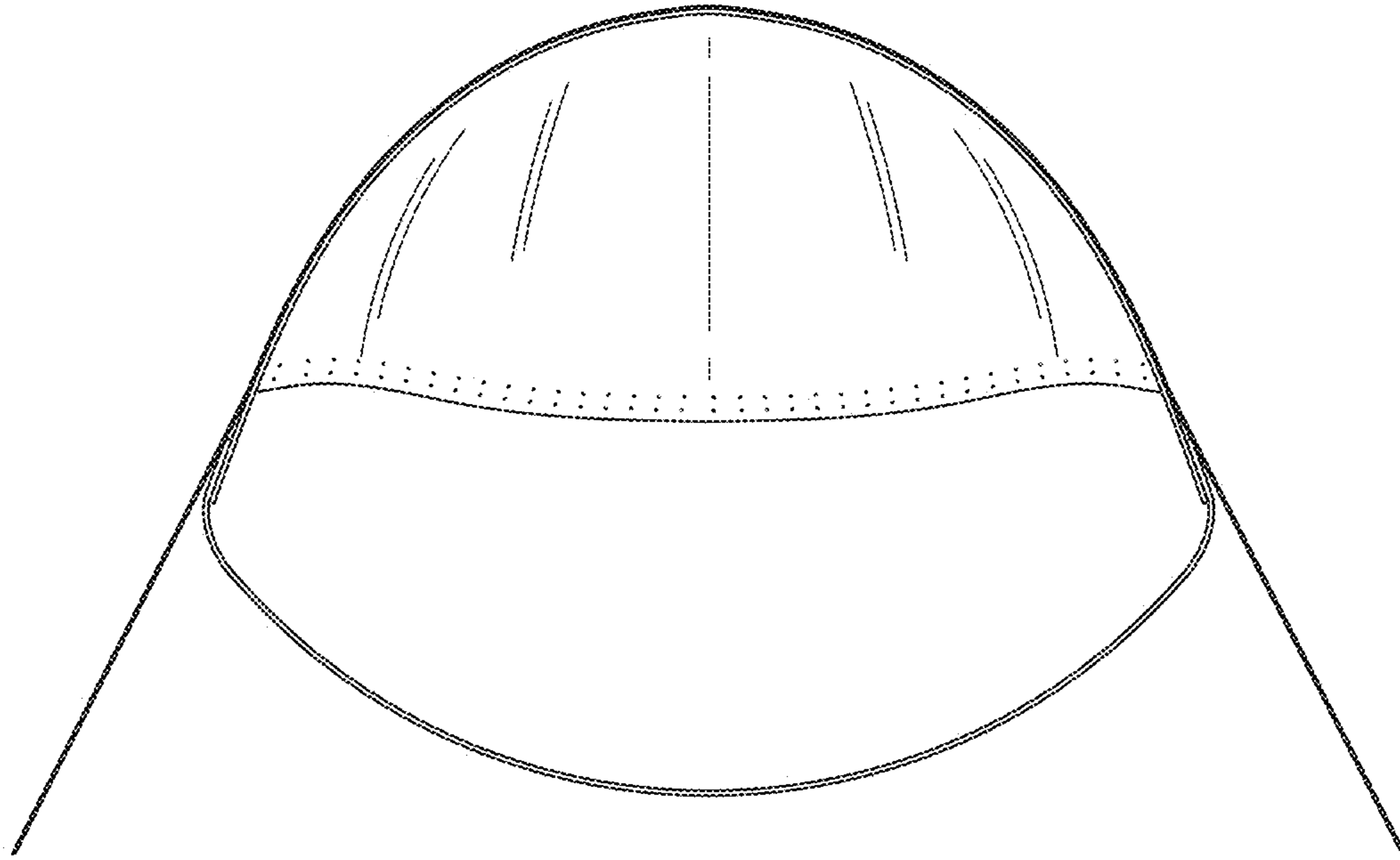


FIG. 7

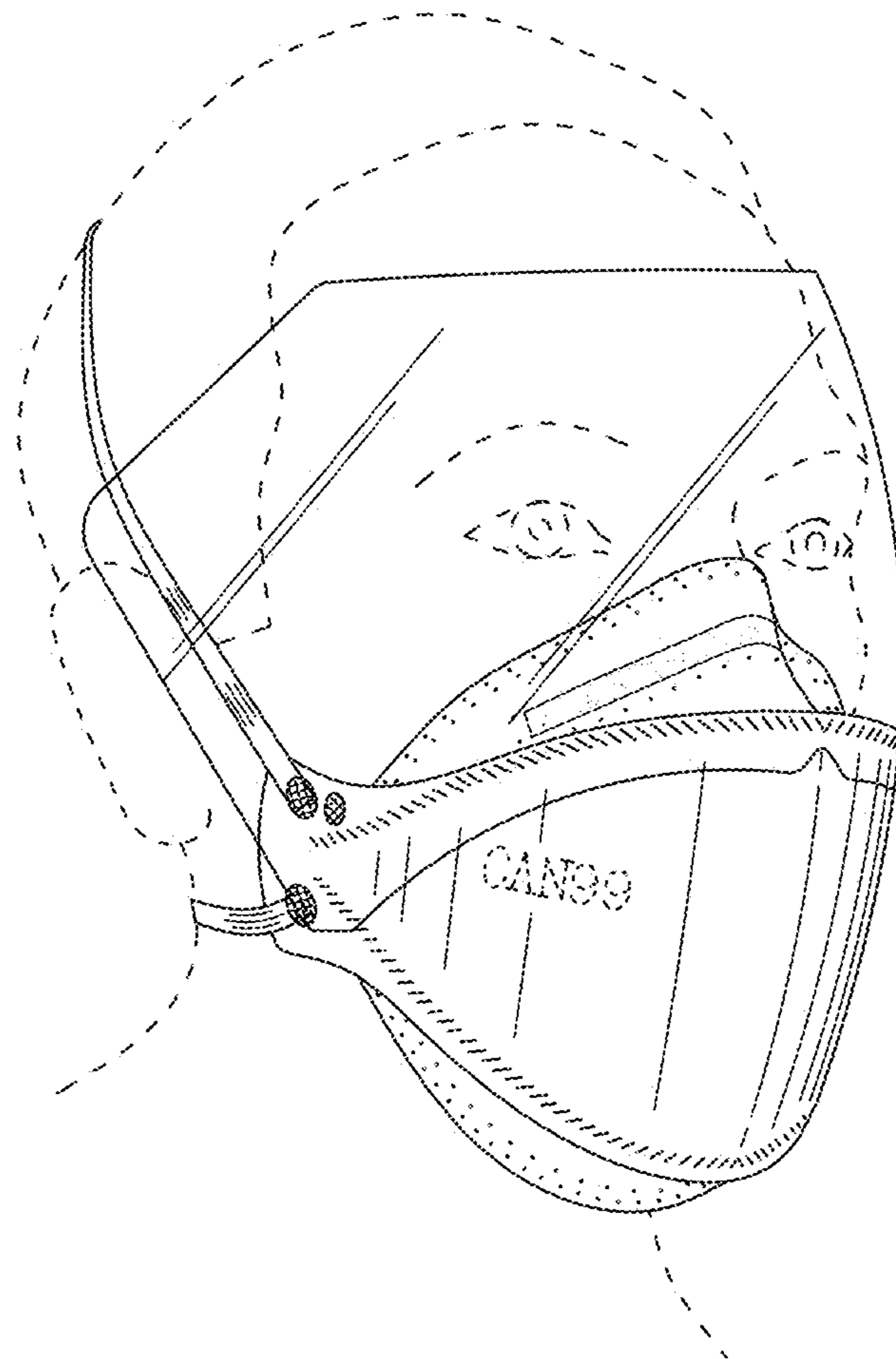


FIG. 8

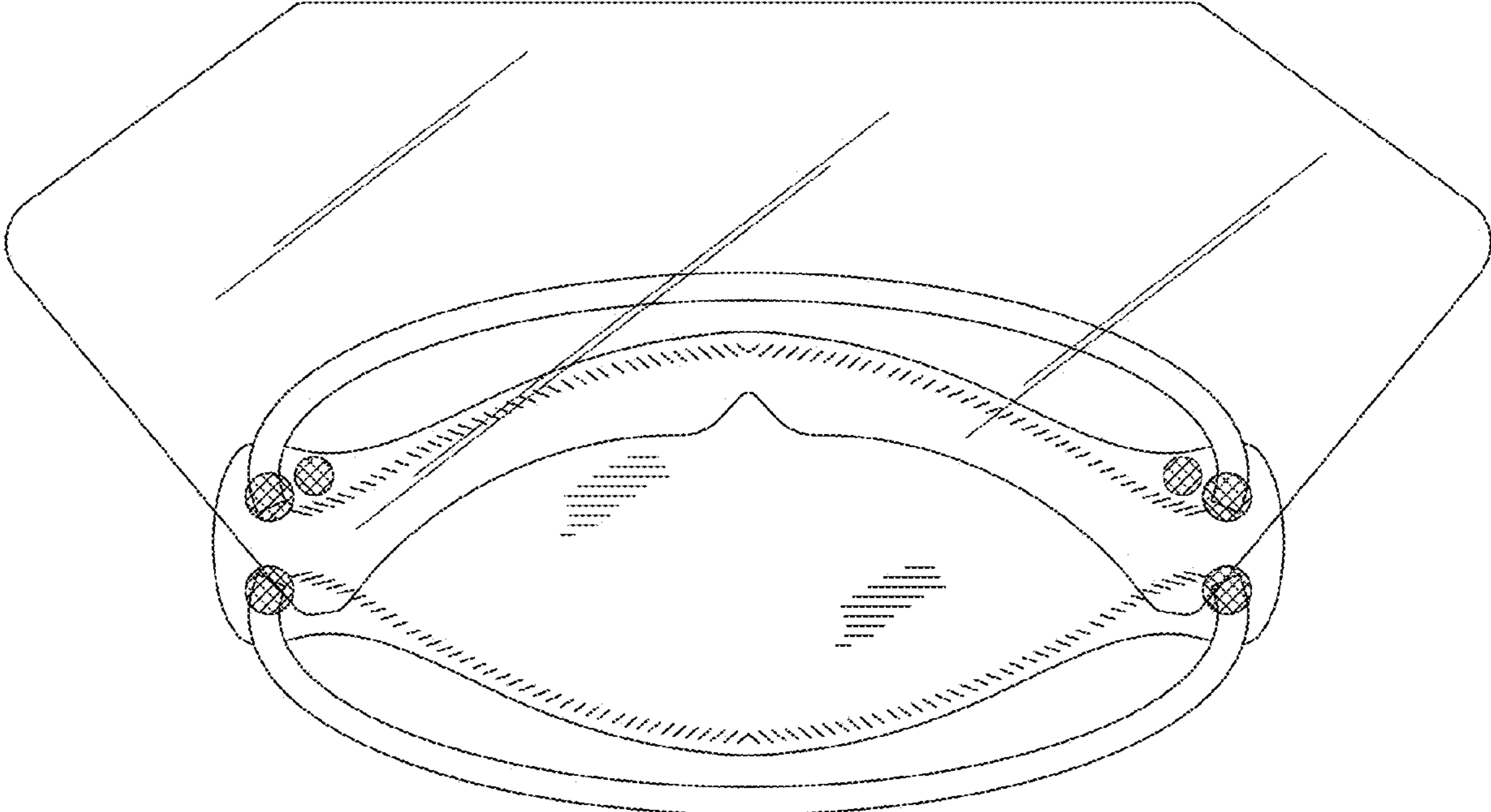


FIG. 9

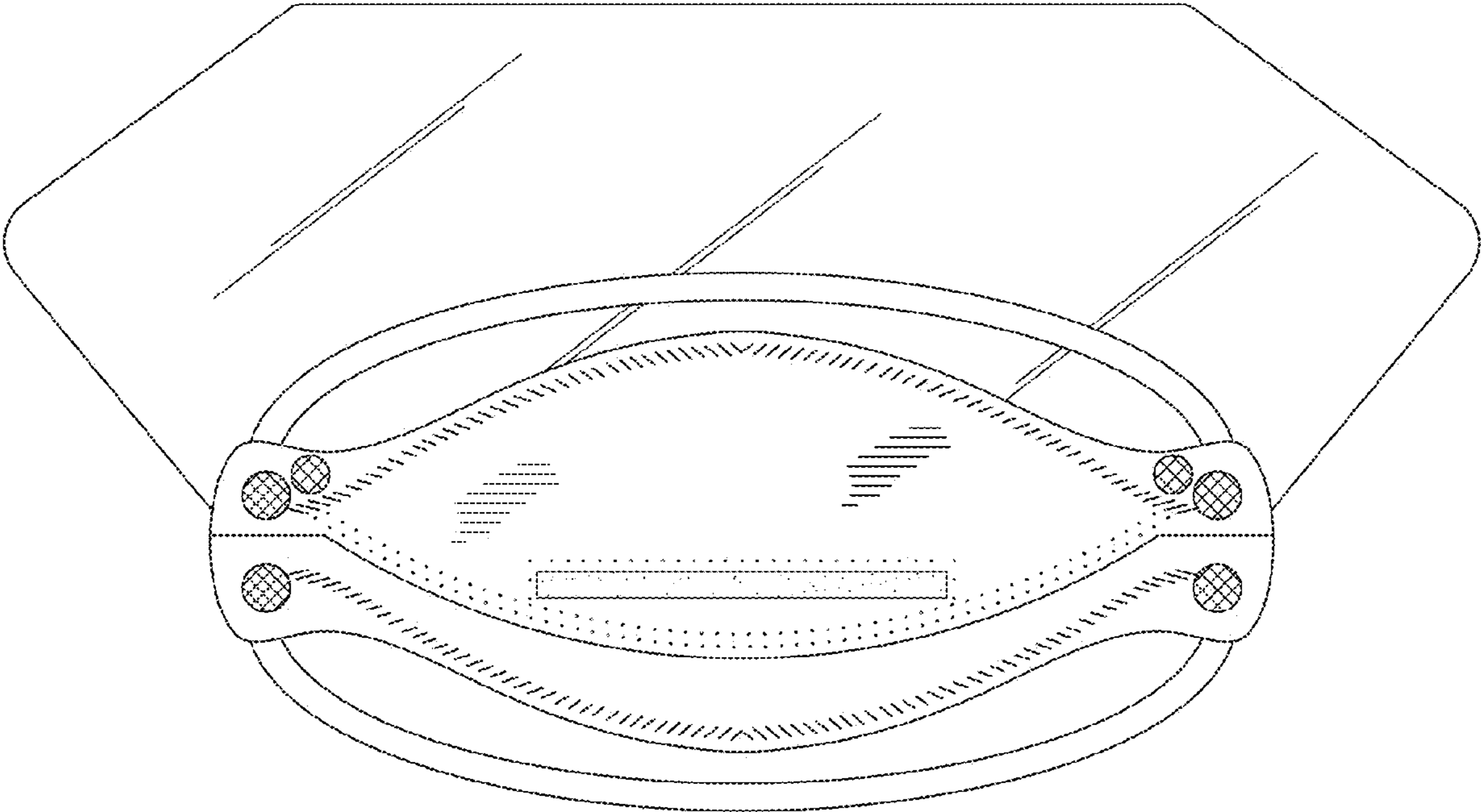


FIG. 10