



US00D982150S

(12) **United States Design Patent**  
**White**

(10) **Patent No.:** **US D982,150 S**

(45) **Date of Patent:** **\*\* Mar. 28, 2023**

(54) **CLOTHES DRYER EXHAUST VENT FOR A BUILDING EXTERIOR WALL**

(71) Applicant: **Gregory White**, Vero Beach, FL (US)

(72) Inventor: **Gregory White**, Vero Beach, FL (US)

(\*\*) Term: **15 Years**

(21) Appl. No.: **29/834,847**

(22) Filed: **Apr. 14, 2022**

(51) **LOC (14) Cl.** ..... **23-03**

(52) **U.S. Cl.**  
USPC ..... **D23/393**

(58) **Field of Classification Search**  
USPC ..... D23/393, 373, 370, 371; 454/350, 340,  
454/359, 347; 34/235, 140  
CPC ..... D06F 58/20  
See application file for complete search history.

(56) **References Cited**

**U.S. PATENT DOCUMENTS**

4,967,490 A \* 11/1990 Berger ..... D06F 58/20  
34/235  
D397,431 S \* 8/1998 Meyer ..... D23/371

6,230,418 B1 \* 5/2001 Gomulinski ..... D06F 58/20  
34/235

7,147,554 B1 \* 12/2006 Berger ..... F24F 13/084  
454/359

D791,301 S \* 7/2017 van Dijk ..... D23/393

\* cited by examiner

*Primary Examiner* — Gino Colan

(74) *Attorney, Agent, or Firm* — Malin Haley DiMaggio & Bowen, P.A.

(57) **CLAIM**

The ornamental design for a clothes dryer vent exhaust for a building exterior wall, as shown and described.

**DESCRIPTION**

FIG. 1 is a front perspective view of the present invention, showing the new design of the clothes dryer exhaust vent for a building exterior wall;

FIG. 2 is a back perspective view thereof;

FIG. 3 is a front elevational view thereof;

FIG. 4 is a back elevational view thereof;

FIG. 5 is a first side elevational view thereof;

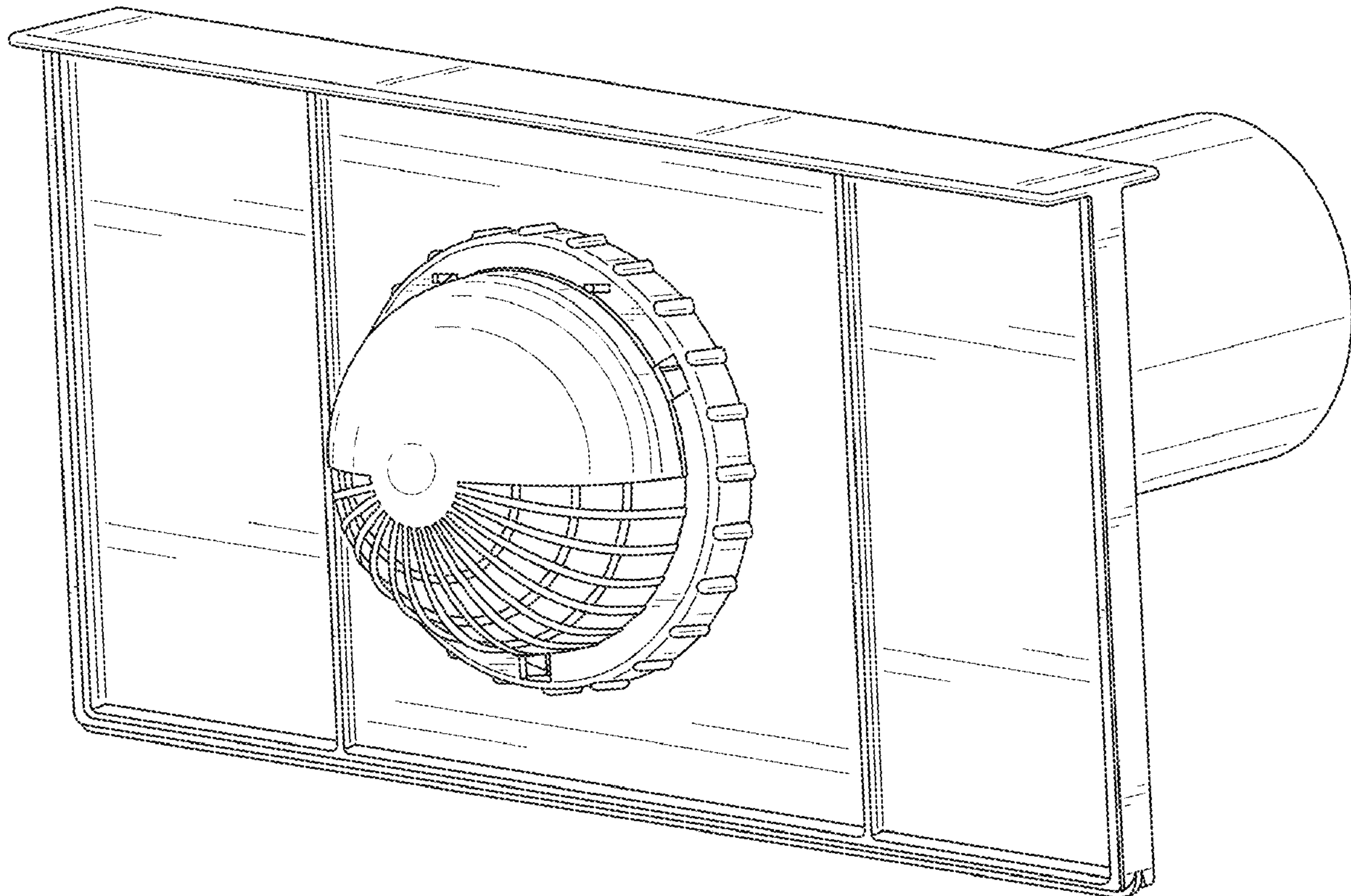
FIG. 6 is a second side elevational view thereof;

FIG. 7 is a top plan view thereof; and,

FIG. 8 is a bottom plan view thereof.

The broken lines shown in the figures are for the purpose of illustrating portions of the clothes dryer exhaust for a building exterior wall and form no part of the claimed design.

**1 Claim, 8 Drawing Sheets**



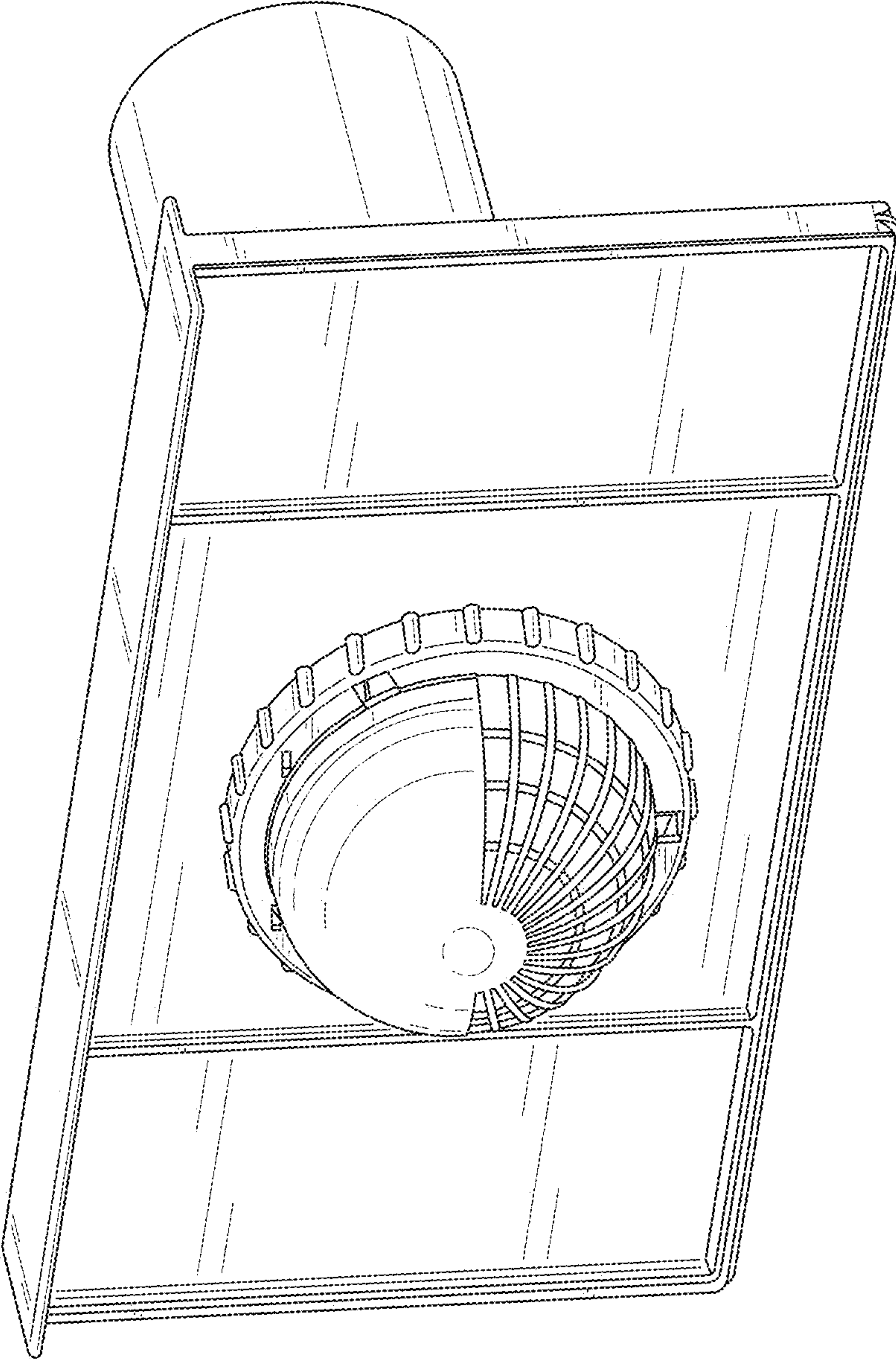


FIG. 1

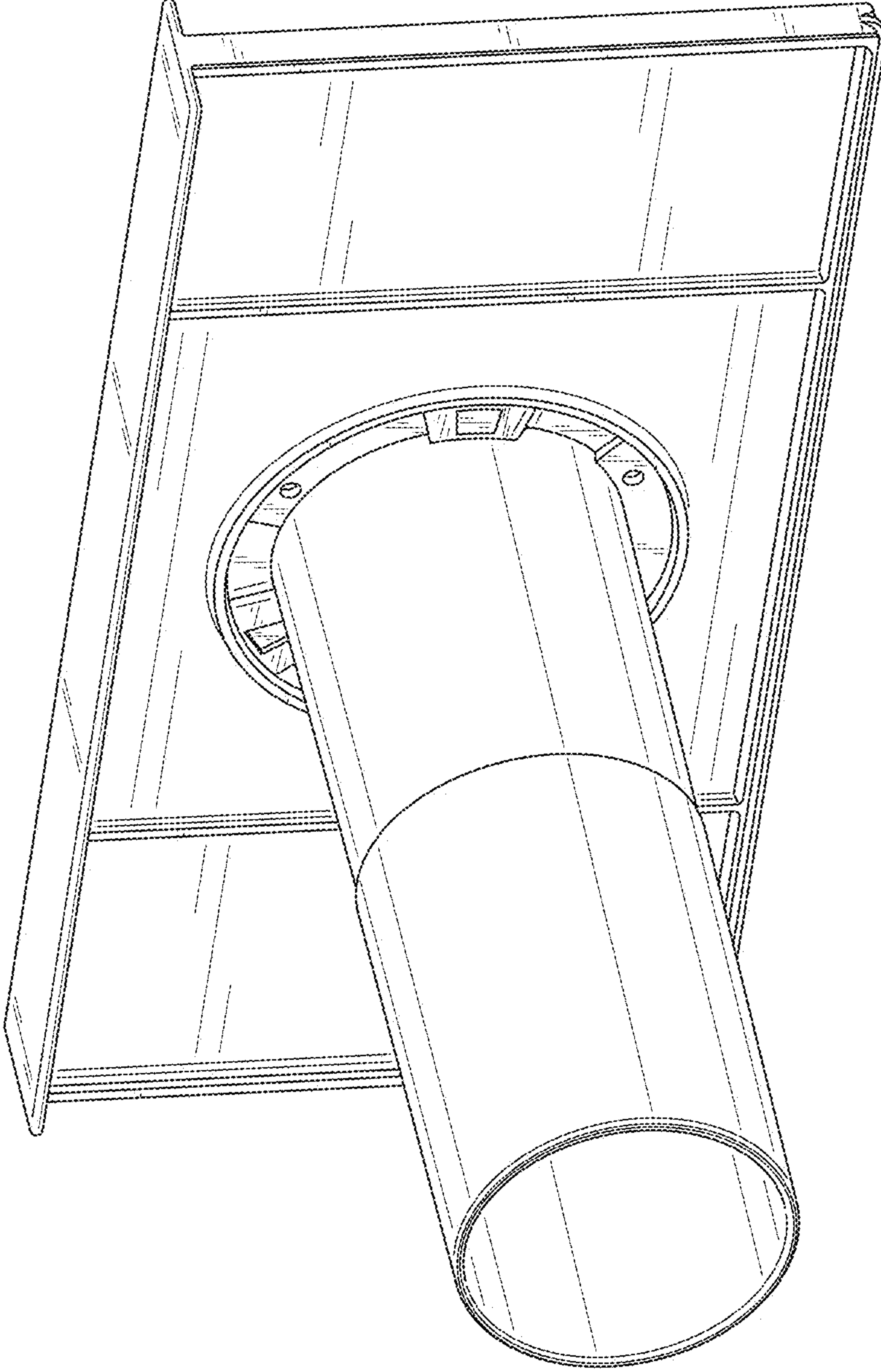


FIG. 2



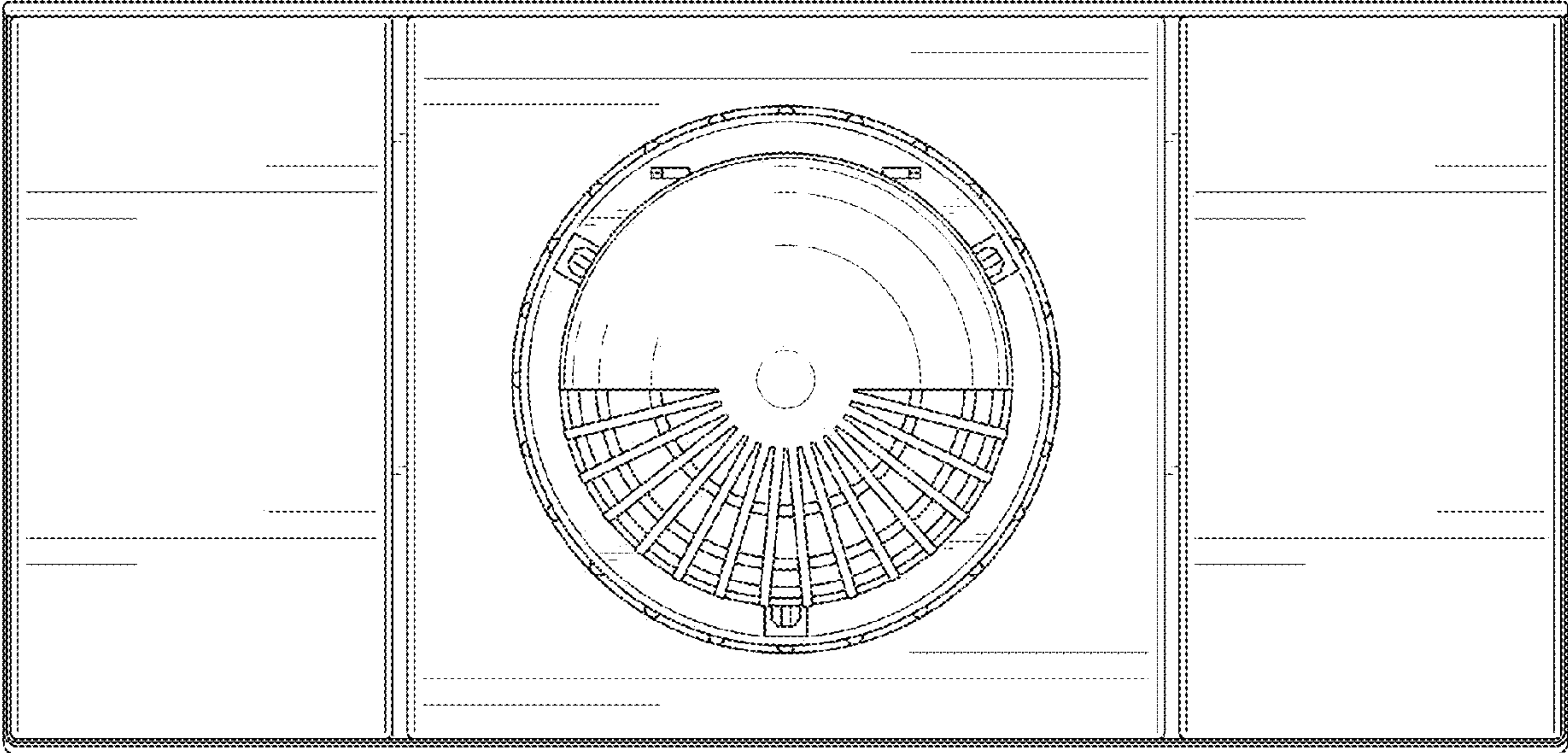


FIG. 3

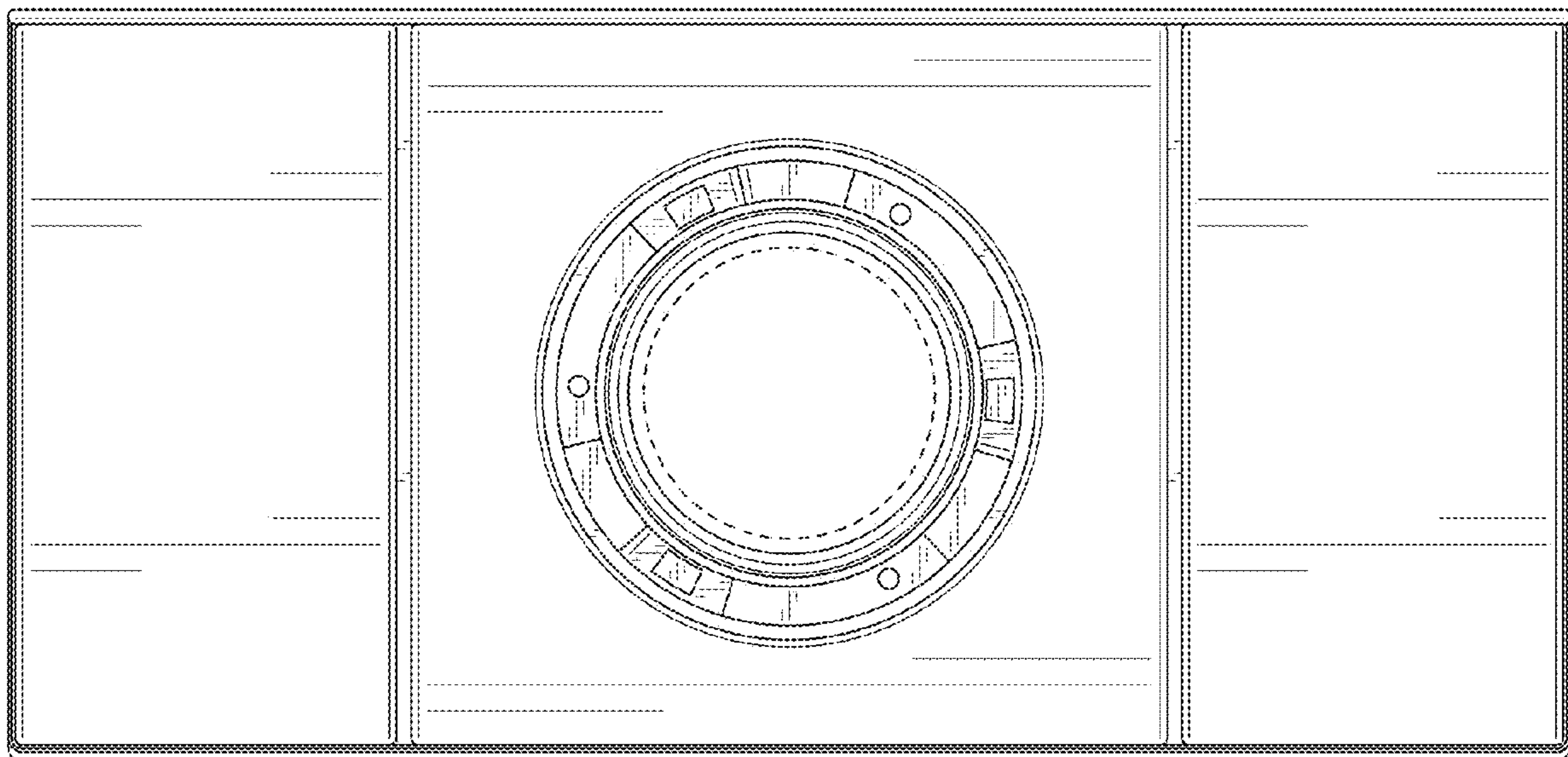


FIG. 4

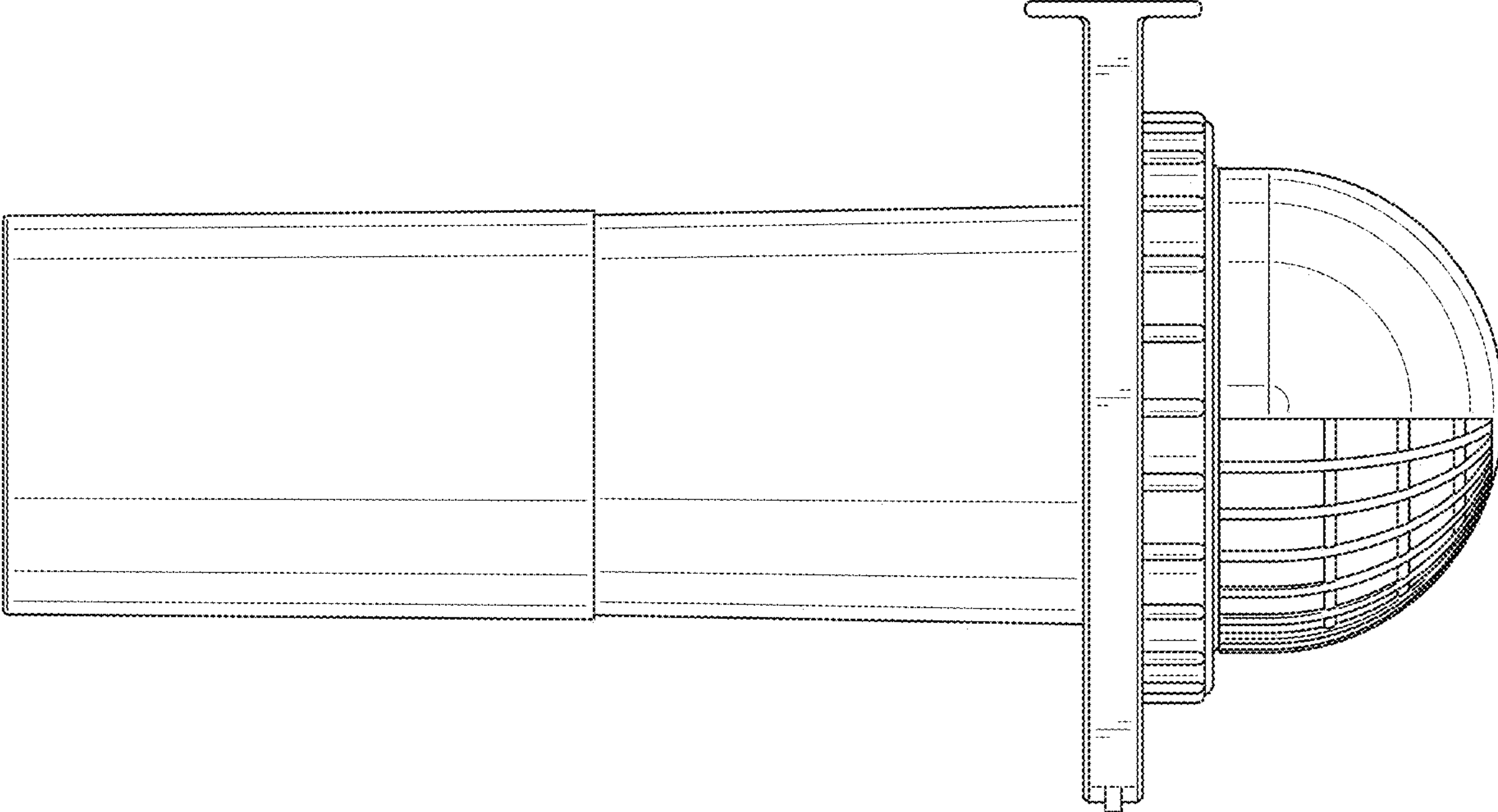


FIG. 5

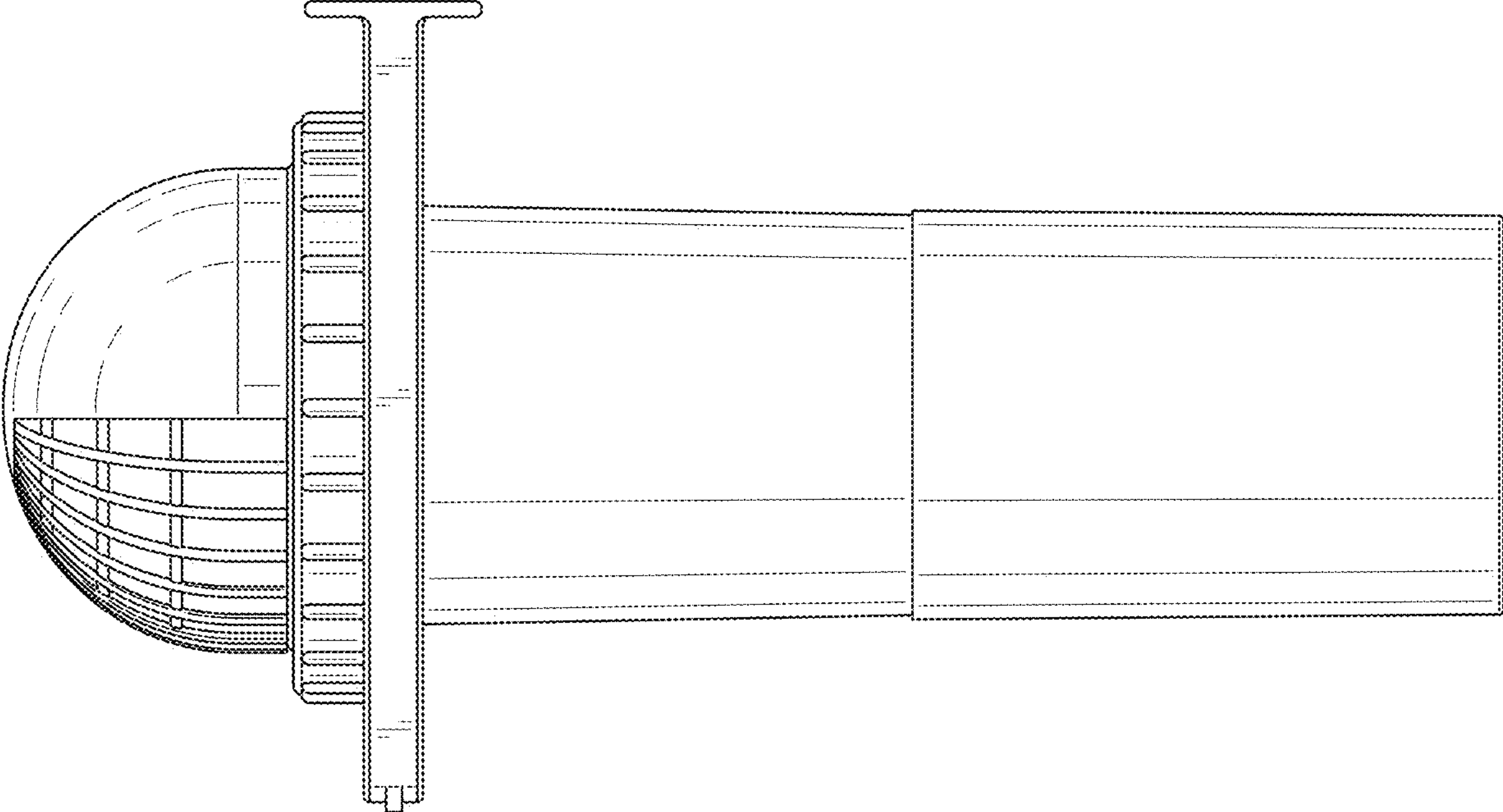


FIG. 6

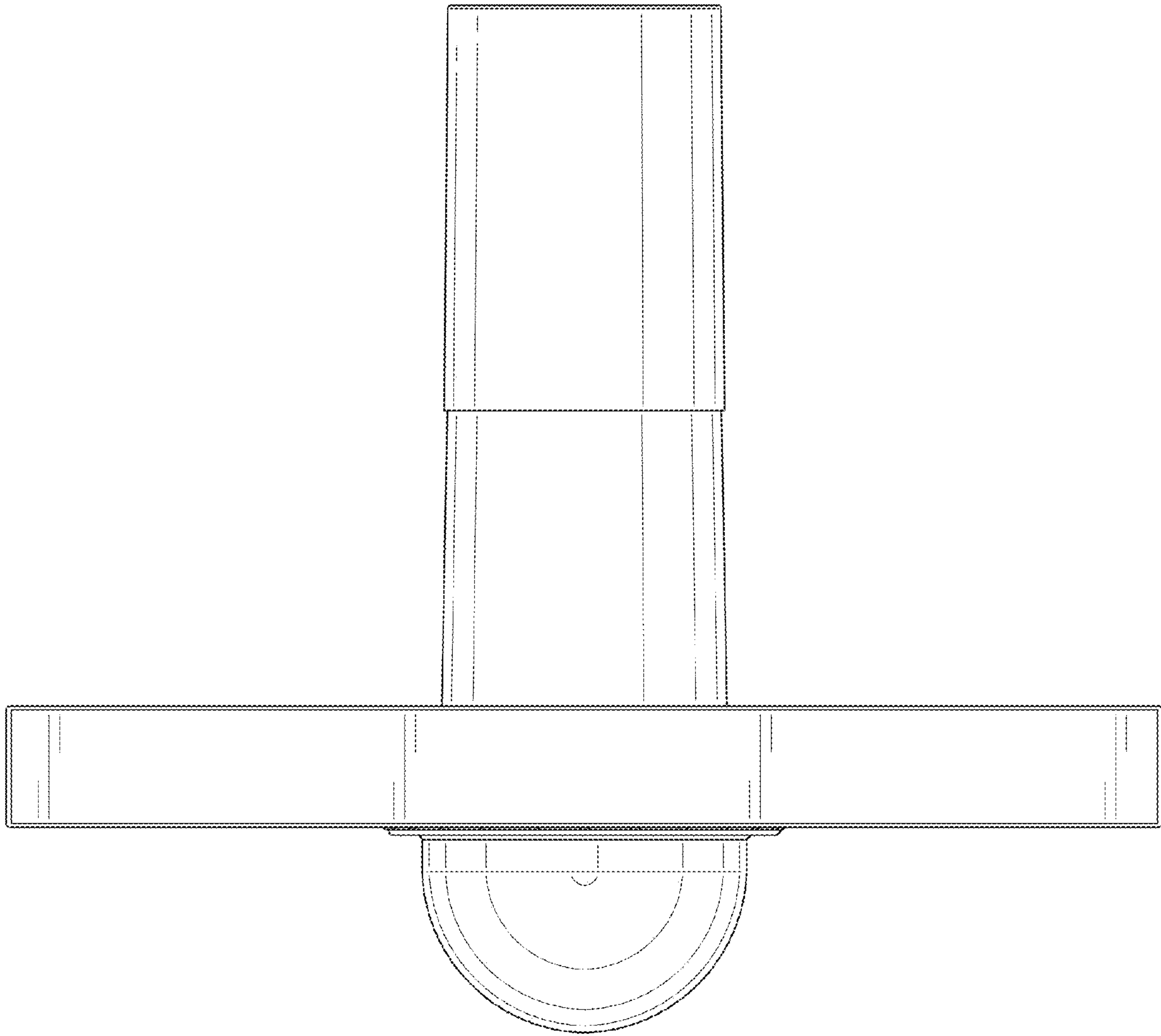


FIG. 7



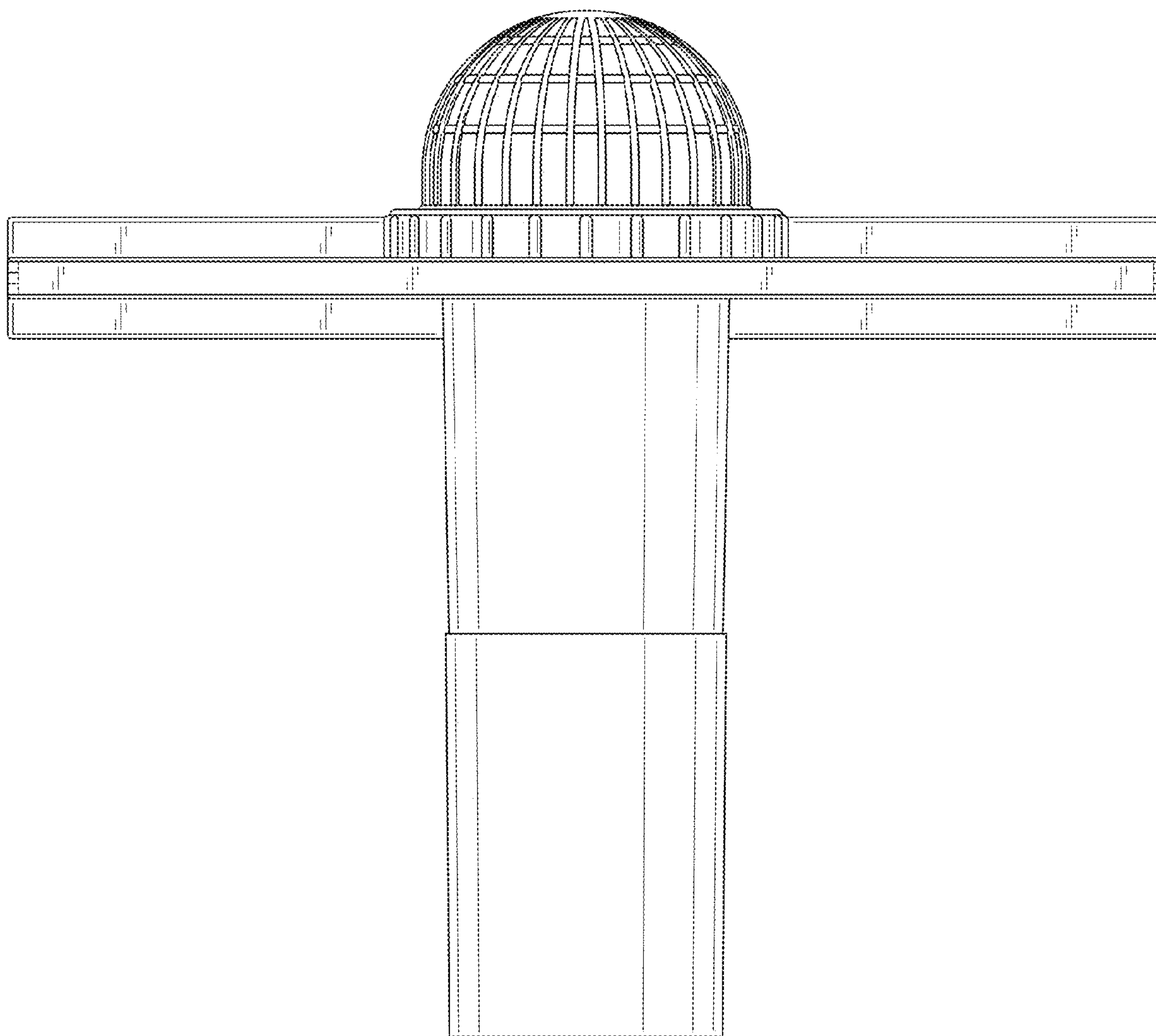


FIG. 8