



US00D982149S

(12) **United States Design Patent**
Haggar

(10) **Patent No.:** **US D982,149 S**
(45) **Date of Patent:** **** Mar. 28, 2023**

- (54) **CEILING FAN**
- (71) Applicant: **HUNTER FAN COMPANY**,
Memphis, TN (US)
- (72) Inventor: **Alexander Jonathan Haggar**,
Memphis, TN (US)
- (73) Assignee: **Hunter Fan Company**, Memphis, TN
(US)
- (**) Term: **15 Years**
- (21) Appl. No.: **29/784,369**
- (22) Filed: **May 19, 2021**

- D290,748 S 7/1987 Kawai
- D304,229 S 10/1989 Rezek
- 5,149,042 A 9/1992 Dumais
- 5,437,540 A 8/1995 Blocker et al.
- 5,568,969 A 10/1996 Yu
- D375,605 S 11/1996 Balish
- 5,624,230 A 4/1997 Taylor et al.
- D386,257 S 11/1997 Liu
- D390,649 S 2/1998 Pearce et al.
- D398,980 S 9/1998 Pearce
- D414,856 S 10/1999 Zuege
- 5,993,159 A 11/1999 Mack
- D433,179 S 10/2000 Johnson
- 6,244,820 B1 6/2001 Yilmaz
- D449,682 S 10/2001 Gajewski
- D479,317 S 9/2003 Gajewski

(Continued)

Related U.S. Application Data

- (63) Continuation of application No. 29/692,116, filed on
May 22, 2019, now Pat. No. Des. 933,806, which is
a continuation of application No. 29/613,563, filed on
Aug. 11, 2017, now Pat. No. Des. 854,677.
- (51) **LOC (14) Cl.** **23-04**
- (52) **U.S. Cl.**
USPC **D23/377**
- (58) **Field of Classification Search**
USPC D23/370, 377, 379, 385, 411-414;
D26/59
CPC F04D 25/088; F04D 29/38; F04D 29/384;
F04D 29/386; F21V 33/0096
See application file for complete search history.

References Cited

U.S. PATENT DOCUMENTS

- D49,964 S 11/1916 Humphrey
- D158,821 S 5/1950 Walter
- 4,053,761 A 10/1977 Brinkley
- 4,342,073 A 7/1982 Ranten
- 4,357,506 A 11/1982 Breining
- 4,504,191 A 3/1985 Brown

OTHER PUBLICATIONS

<http://ceilingfans.emerson.com/shop/en/fan/fan-s-all/fans-s-browse-all/highrise-fan-p-cf430>, Item Specification for Emerson Highrise, Model No. CF430BS, Accessed on Oct. 27, 2016.

(Continued)

Primary Examiner — Sharon S Oum
(74) *Attorney, Agent, or Firm* — McGarry Bair PC

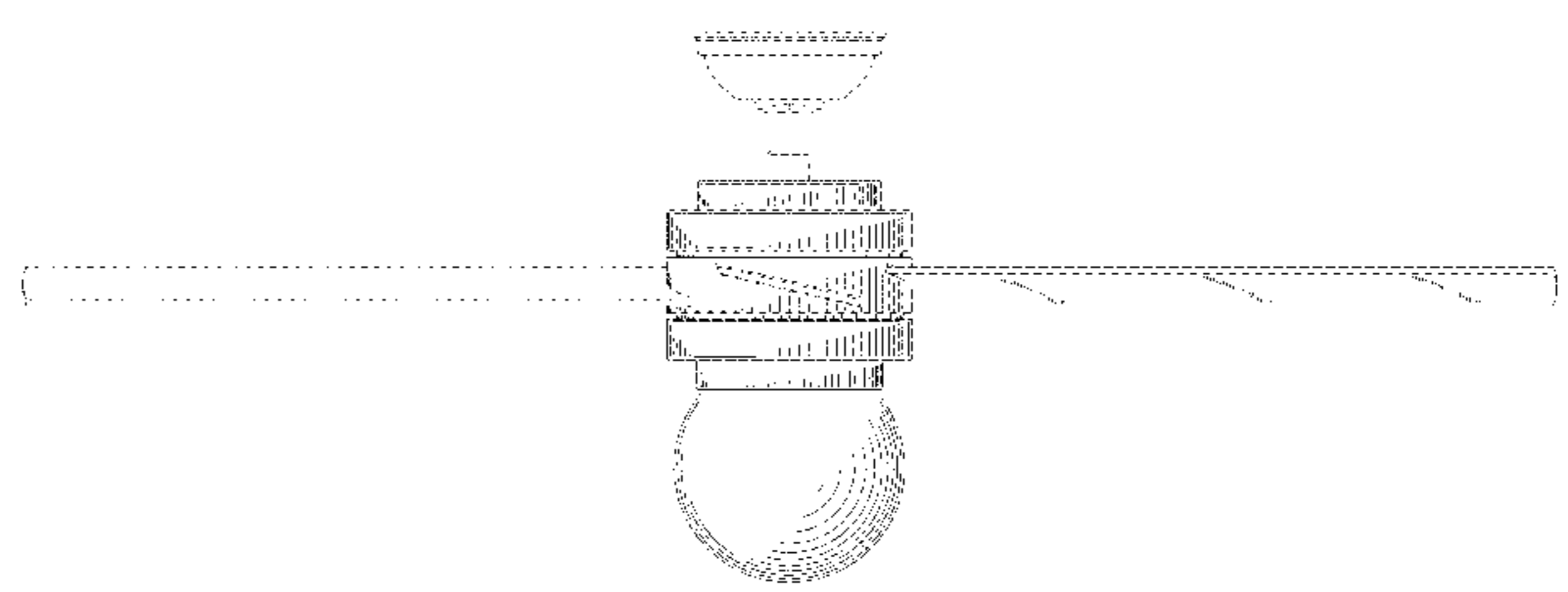
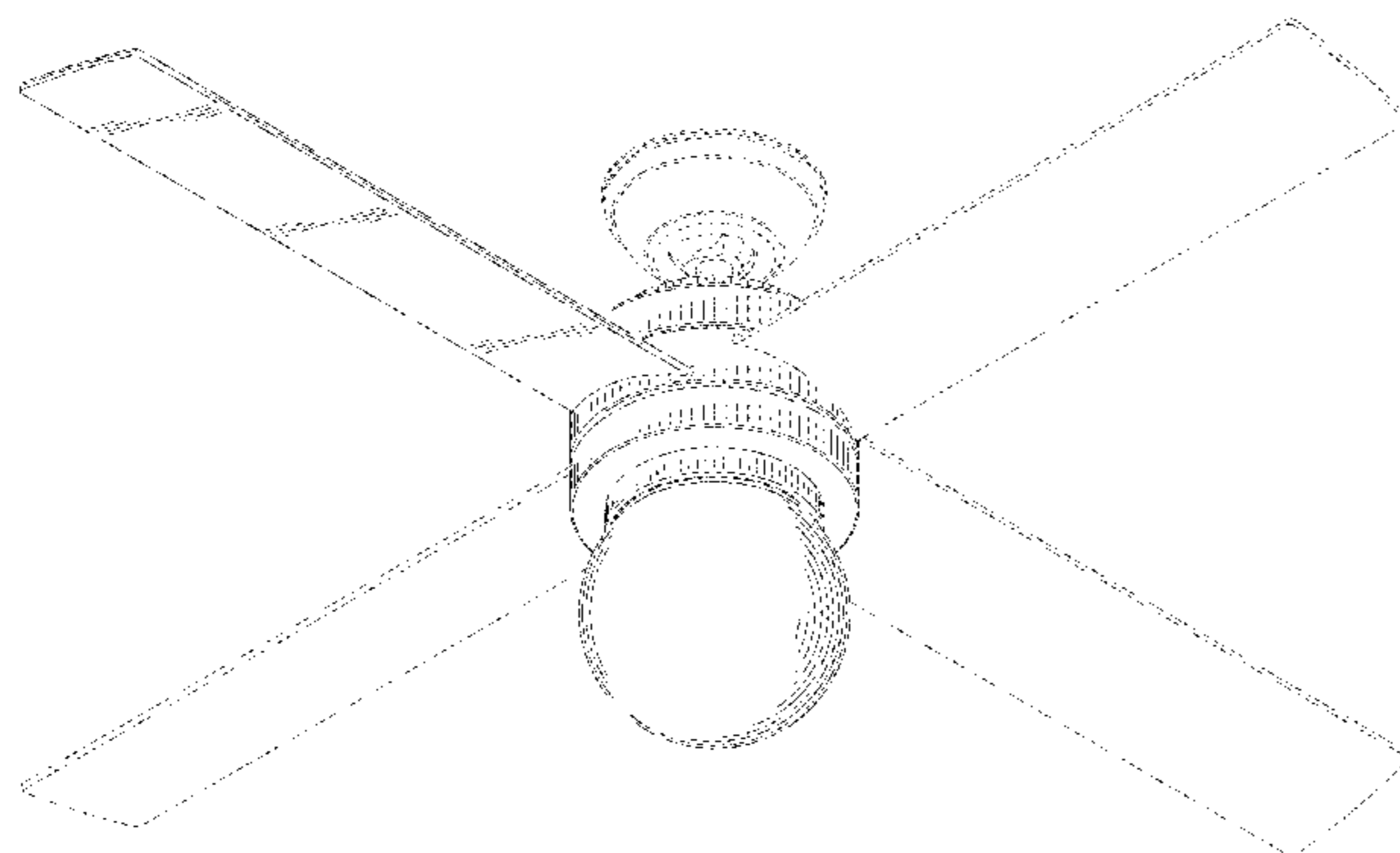
CLAIM

(57) The ornamental design for a ceiling fan, as shown and described.

DESCRIPTION

FIG. 1 is a top perspective view of a ceiling fan, showing my new design;
FIG. 2 is a bottom perspective view thereof;
FIG. 3 is a top view thereof;
FIG. 4 is a bottom view thereof; and,
FIG. 5 is a side view thereof.
Portions of the ceiling fan shown in broken lines form no part of the claimed design.

1 Claim, 5 Drawing Sheets



(56)

References Cited

U.S. PATENT DOCUMENTS

D542,905 S	5/2007	Young	
D547,436 S	7/2007	Shurtleff	
D570,515 S	6/2008	Flaherty et al.	
D600,339 S	9/2009	Searle	
D603,955 S	11/2009	Patton	
D609,324 S	2/2010	Lee	
D627,456 S	11/2010	Glasbrenner	
D627,874 S	11/2010	Pan	
D630,312 S	1/2011	Spaulding	
D632,384 S	2/2011	Pan	
D641,096 S	7/2011	Markle et al.	
D698,478 S	1/2014	Randolph et al.	
D744,634 S	12/2015	Wang	
D751,187 S	3/2016	Dolan	
D766,491 S	9/2016	Lee et al.	
9,746,147 B2	8/2017	Benner	
D797,355 S	9/2017	Sonneman	
D810,919 S	2/2018	Haggar	
D825,092 S	8/2018	Amato et al.	
D835,827 S	12/2018	Amato et al.	
D838,357 S	1/2019	Haggar	
D854,677 S *	7/2019	Haggar	D26/59
D874,637 S *	2/2020	Haggar	D23/411
D933,806 S *	10/2021	Haggar	D23/377
D941,454 S *	1/2022	Eiffert	D23/377
D948,700 S *	4/2022	McRoberts	D26/59
2012/0106137 A1	5/2012	Scott et al.	
2014/0340880 A1	11/2014	Benner	

OTHER PUBLICATIONS

<http://ceilingfans.emerson.com/shop/en/fan/fans-s-emerson-fans/fans-s-contemporary/atomical-fan-p-cf930>, Item Specification for Emerson Atomical, Model No. CF930WW, Accessed on Oct. 27, 2016.

<http://www.minkagroup.net/products/f734-gl>, Item Specification for Minka Group Strata, Model No. F734-GL, Accessed on Oct. 27, 2016.

<http://www.craftmade.com/Craftmade-MN44FB4-Flat-Black-Ceiling-Fan.HTM>, Item Specification for Craftmade Montreal, Model No. MN44FB4, Accessed on Oct. 27, 2016.

<http://www.kichler.com/products/product/52-arkwet-patio-ceiling-fan-wsp-339529wsp.aspx>, Item Specification for Kichler Arkwet Patio Collection 52" Arkwet Patio Ceiling Fan WSP, Model No. 339529WSP, Accessed on Oct. 27, 2016.

<http://www.kichler.com/products/product/arkwright-ceiling-fan-ap-300146ap.aspx>, Item Specification for Kichler Arkwright Collection Arkwright Fan AP, Model No. 300146AP, Accessed on Oct. 27, 2016.

<http://www.quoruminternational.com/index.cfm/app/productDetail?product=32323-65>, Item Specification for Quorum Gusto Satin Nickel Ceiling Fan, Model No. 32323-65, Accessed on Oct. 27, 2016.

<http://www.montecarlofans.com/38127/42-Vision-II---Oil-Rubbed-Bronze-3VNR42OZD.html>, Monte Carlo 42" Vision II, Model No. 3VNR42OZD, Accessed on Oct. 27, 2016.

<http://www.modernfan.com/products/lumina.html>, Item Specification for Modern Fan Co Lumina, Accessed on Oct. 27, 2016.

<http://www.kingoffans.com/#/products/ceilingFans>, Item Specification for Tripoli, Accessed on Oct. 27, 2016.

<http://www.fanimation.com/products/index.php/fans/distinction-dc.html>, Item Specification for Fanimation Distinction DC, Model No. D1, Accessed on Oct. 27, 2016.

<http://www.fanimation.com/products/crestford/>, Item Specification for Fanimation Crestford, Model No. FP7954, Accessed on Oct. 27, 2016.

<http://www.craftmade.com/Craftmade-FB60OBG5-Oiled-Bronze-Gilded-Outdoor-Ceiling-Fan.HTM>, Item Specification for Craftmade Fredericksburg, Model FB60OBG5, Accessed on Oct. 27, 2016.

Westinghouse 7226100 Turbo Swirl CFL Single-Light 30-Inch Six-Blade Indoor Ceiling Fan, date first available Mar. 30, 2011, Available from Internet, <https://www.amazon.com/Westinghouse-72261-00-Single-Light-30-Inch-Six-Blade/dp/B004SCFBXC/ref=sr_1_7?keywords=turbo+swirl+fan&qid=1550158185&s=gateway&sr=8-7>.

* cited by examiner

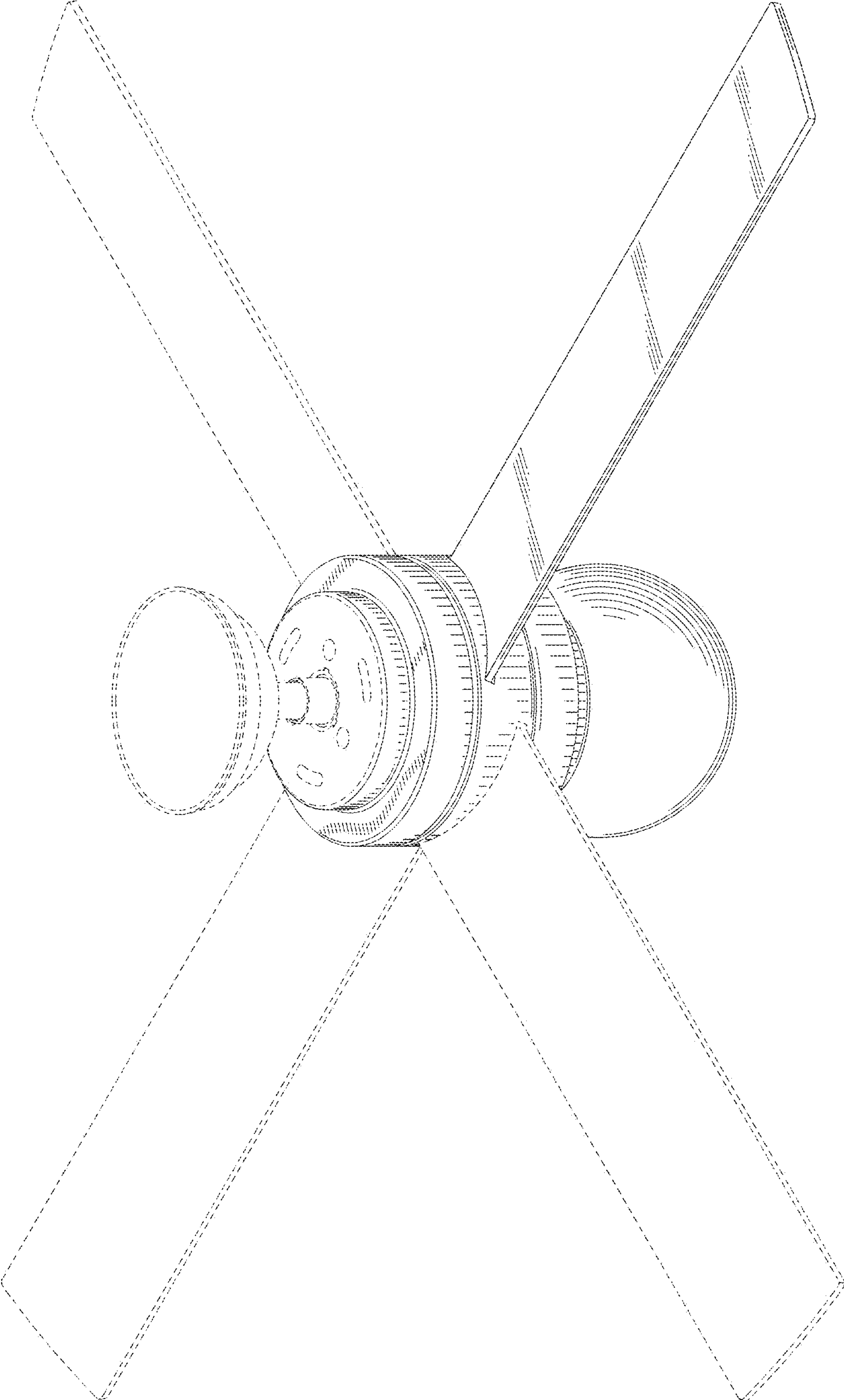


FIG.1

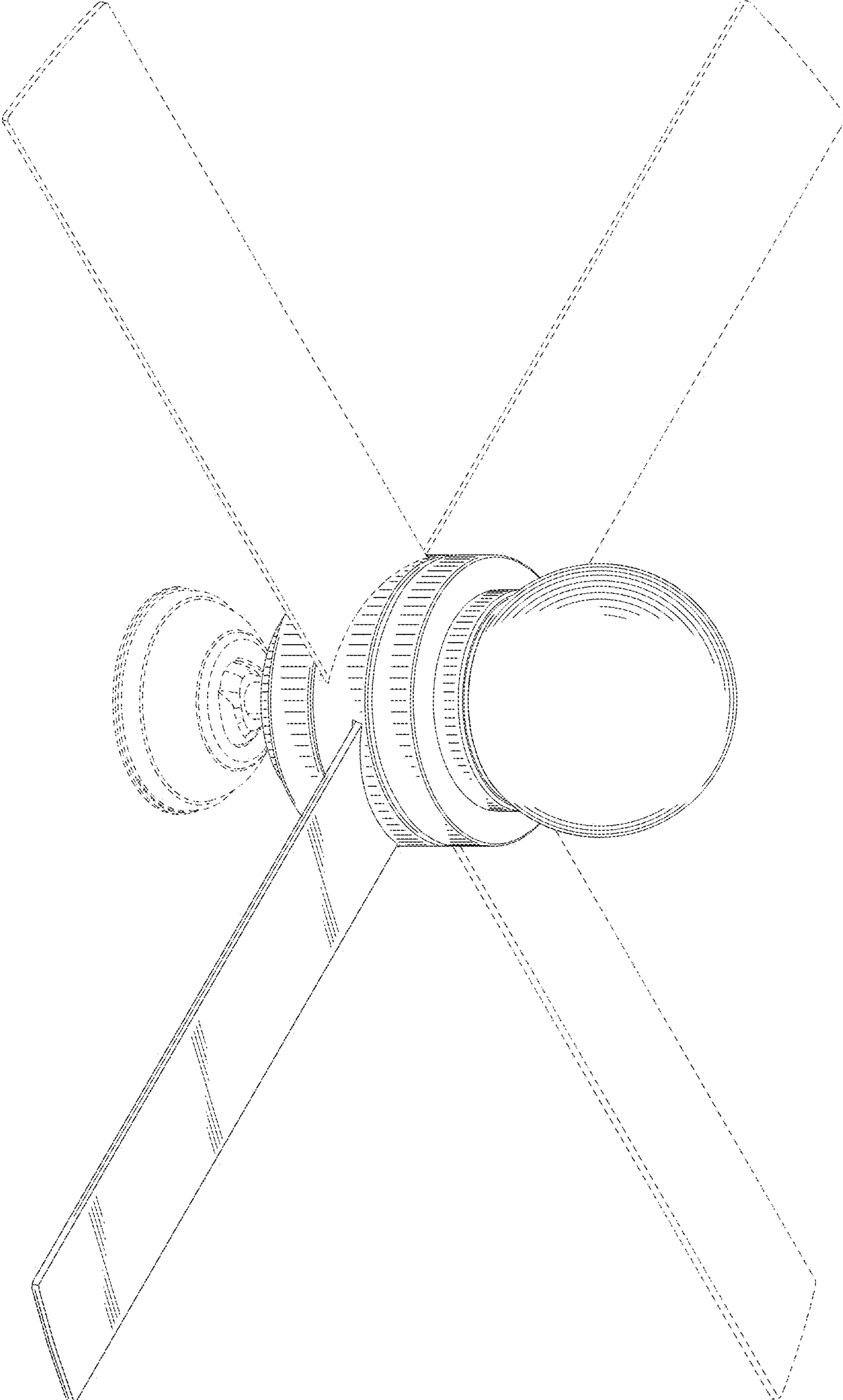


FIG.2

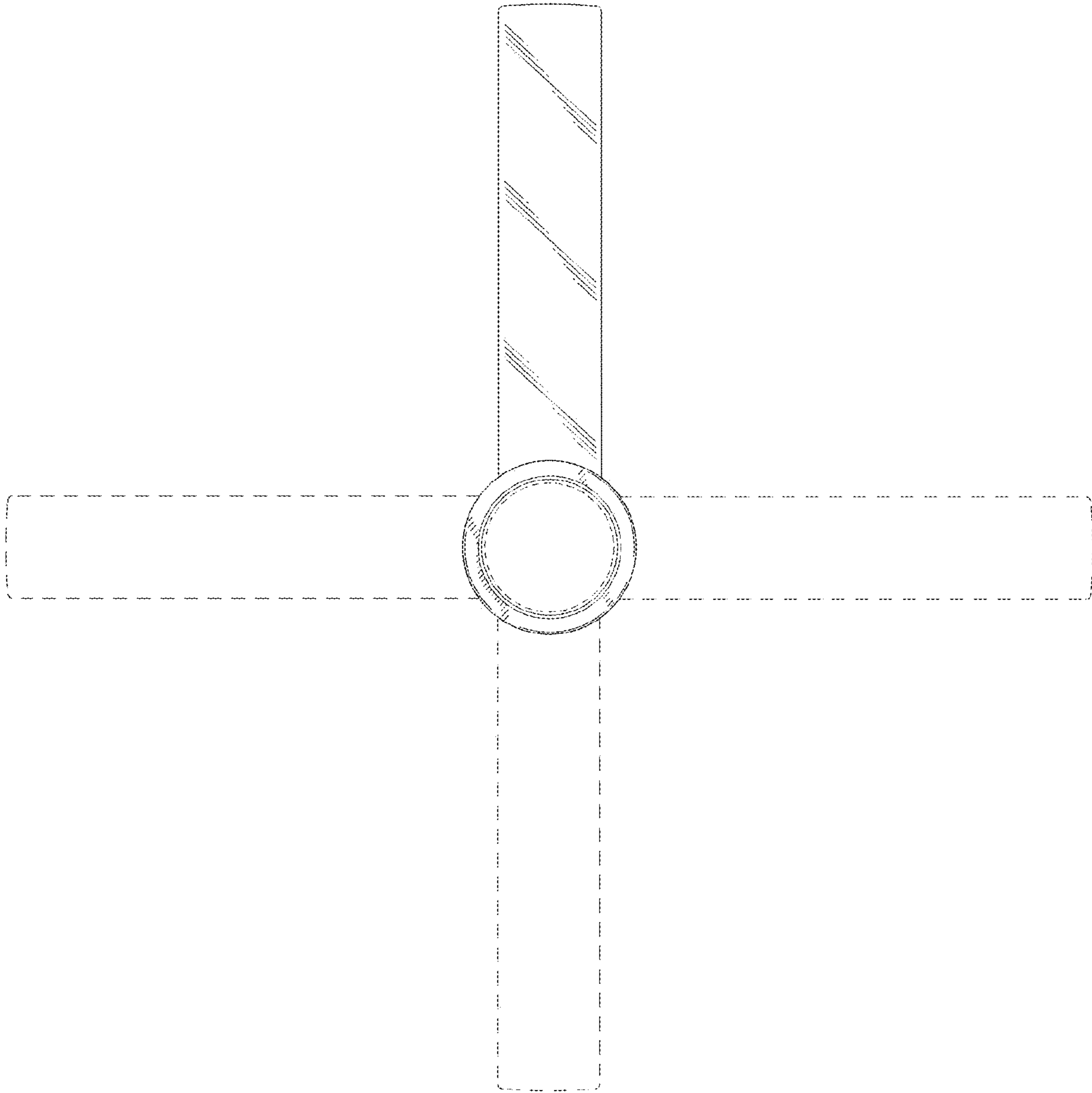


FIG. 3

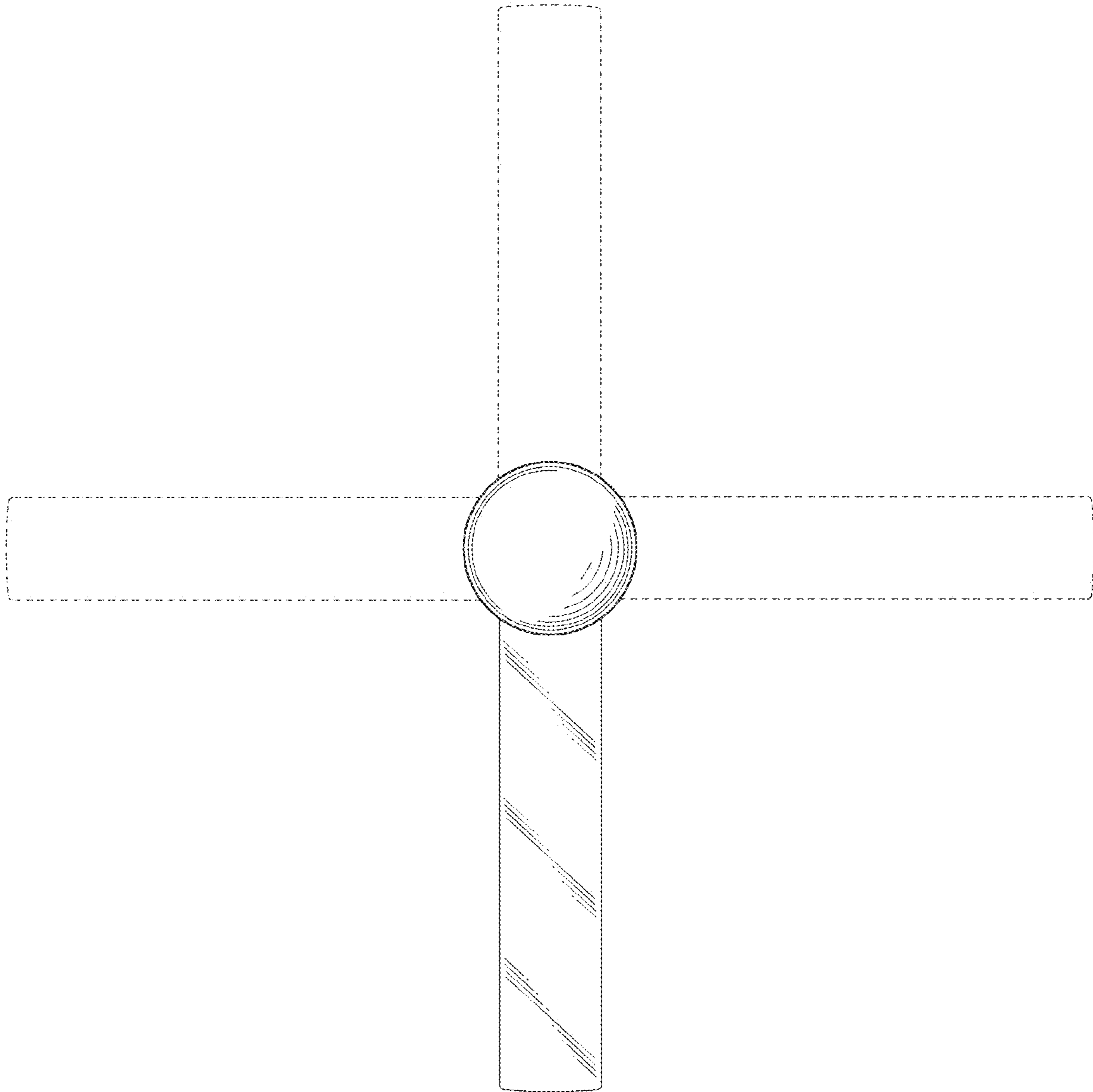


FIG.4

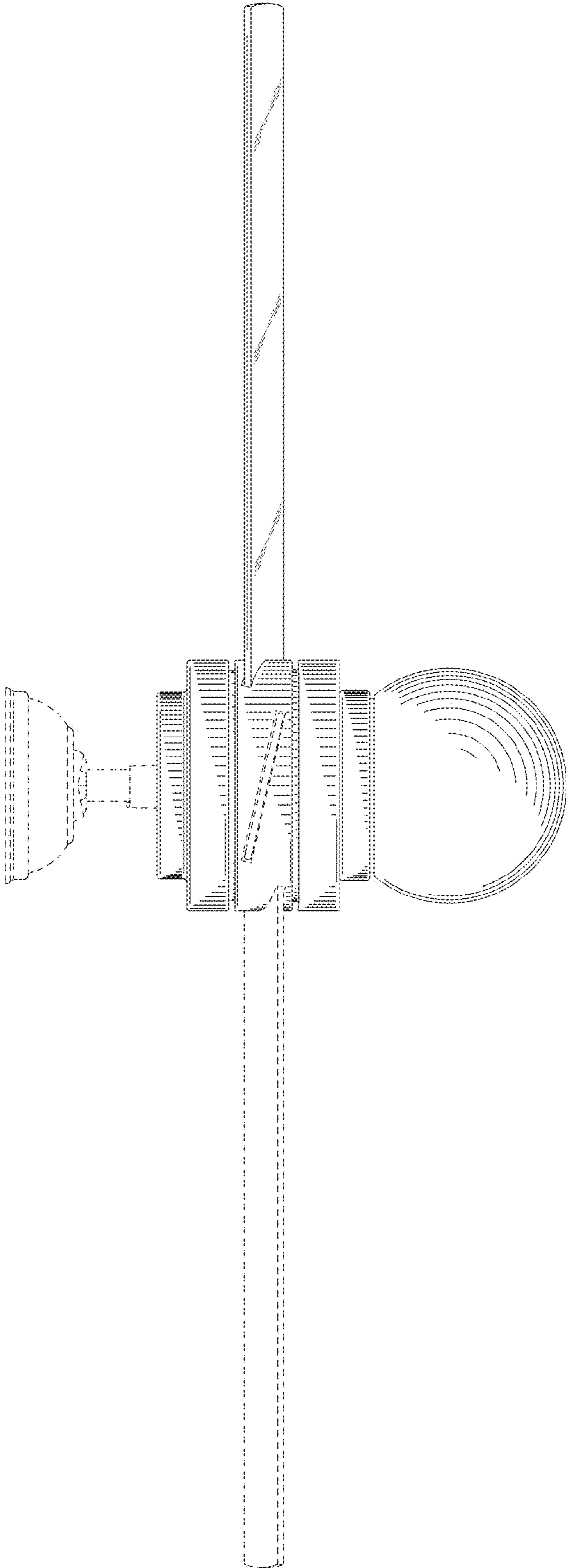


FIG. 5