



US00D982147S

(12) **United States Design Patent**
Schmitz

(10) **Patent No.:** **US D982,147 S**
(45) **Date of Patent:** **** Mar. 28, 2023**

(54) **AIR PURIFIER**

(71) Applicant: **Oliver Schmitz**, Mönchengladbach
(DE)

(72) Inventor: **Oliver Schmitz**, Mönchengladbach
(DE)

(**) Term: **15 Years**

(21) Appl. No.: **35/514,219**

(22) Filed: **Apr. 20, 2022**

(80) **Hague Agreement Data**

Int. Filing Date: **Apr. 20, 2022**

Int. Reg. No.: **DM/220380**

Int. Reg. Date: **Apr. 20, 2022**

Int. Reg. Pub. Date: **May 6, 2022**

(51) **LOC (14) Cl.** **23-04**

(52) **U.S. Cl.**
USPC **D23/364**

(58) **Field of Classification Search**
USPC D23/355–366, 352, 369, 332, 333, 335,
D23/336, 342, 351
CPC .. A61L 9/16; A61L 9/22; B01D 47/00; B01D
47/027; B01D 2221/02; B01D 2259/4508;
B03C 3/155; B03C 3/368; F24F 3/16;
F24F 13/20; F24F 13/28
See application file for complete search history.

(56) **References Cited**

U.S. PATENT DOCUMENTS

D280,129 S * 8/1985 Doyle D23/364
D294,291 S * 2/1988 Albritton D23/342

D374,712 S *	10/1996	Jane	D23/336
D376,419 S *	12/1996	Seaman	D23/358
D450,820 S *	11/2001	Breshears	D23/342
D634,414 S *	3/2011	Wolfe	D23/359
D681,789 S *	5/2013	Chiu	D23/333
D729,365 S *	5/2015	Yuan	D23/359
D769,432 S *	10/2016	Dingle	D23/359
D861,146 S *	9/2019	Dingle	D23/359
D891,593 S *	7/2020	Wilson	D23/342
D917,032 S *	4/2021	Nakagawa	D23/333
D917,683 S *	4/2021	Xie	D23/359
D918,367 S *	5/2021	Li	D23/359
D943,074 S *	2/2022	Huang	D23/356
D943,720 S *	2/2022	Pease	D23/335
D961,059 S *	8/2022	Lappe	D23/356

* cited by examiner

Primary Examiner — David G Muller

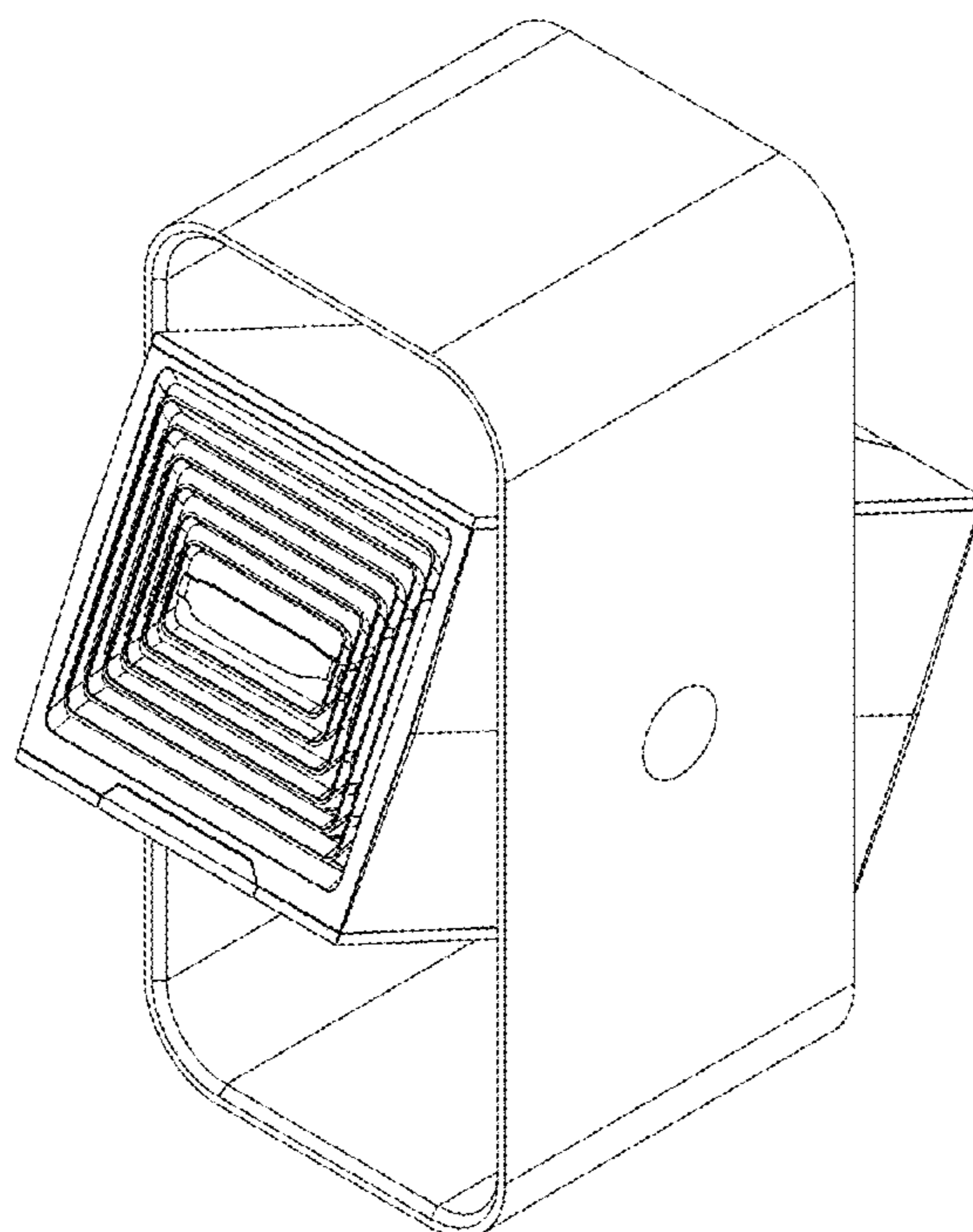
(57) **CLAIM**

The ornamental design for an air purifier, as shown and described.

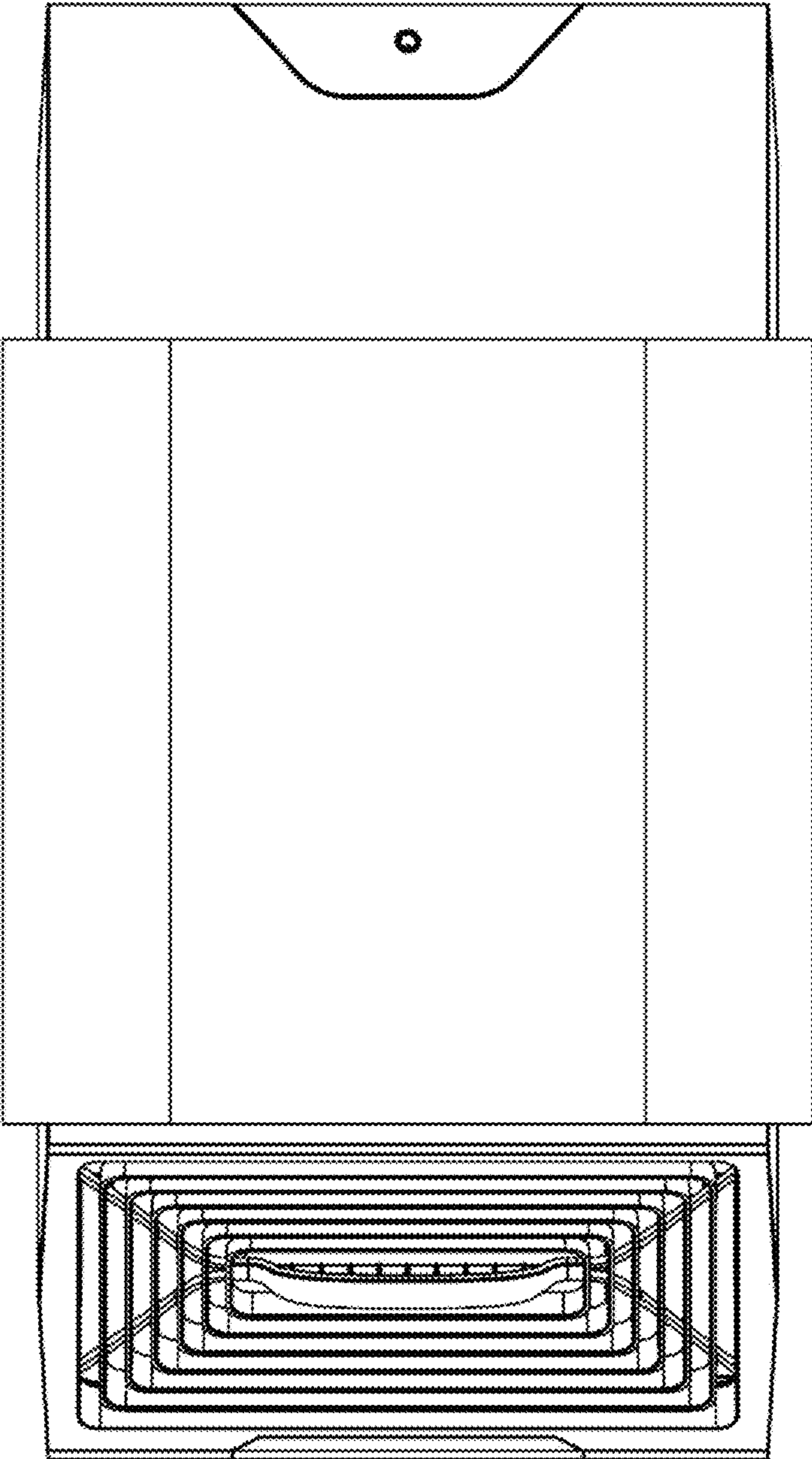
DESCRIPTION

- 1. Air purifier
- 1.1 : Top
- 1.2 : Bottom
- 1.3 : Front
- 1.4 : Left
- 1.5 : Right
- 1.6 : Back
- 1.7 : Perspective

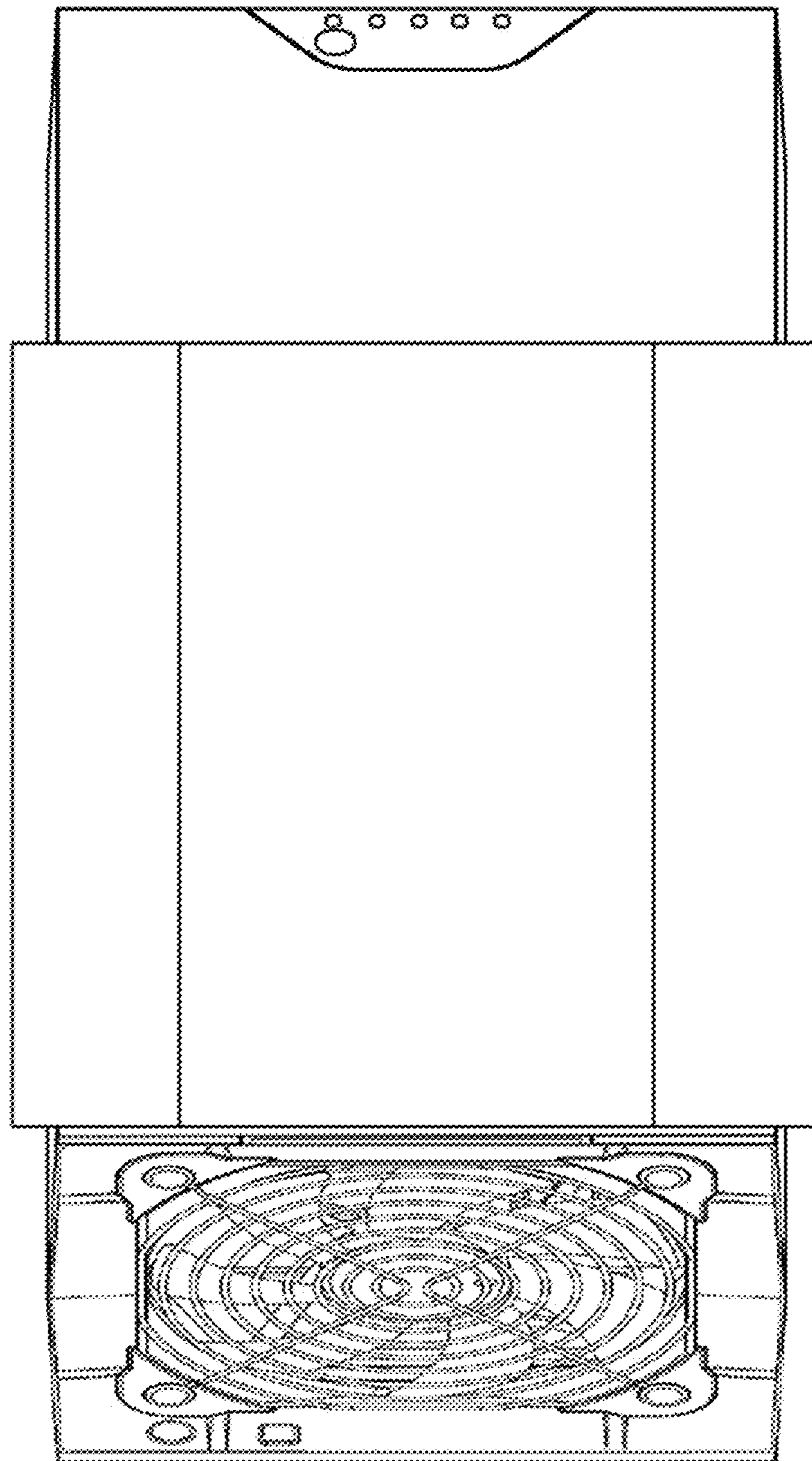
1 Claim, 7 Drawing Sheets



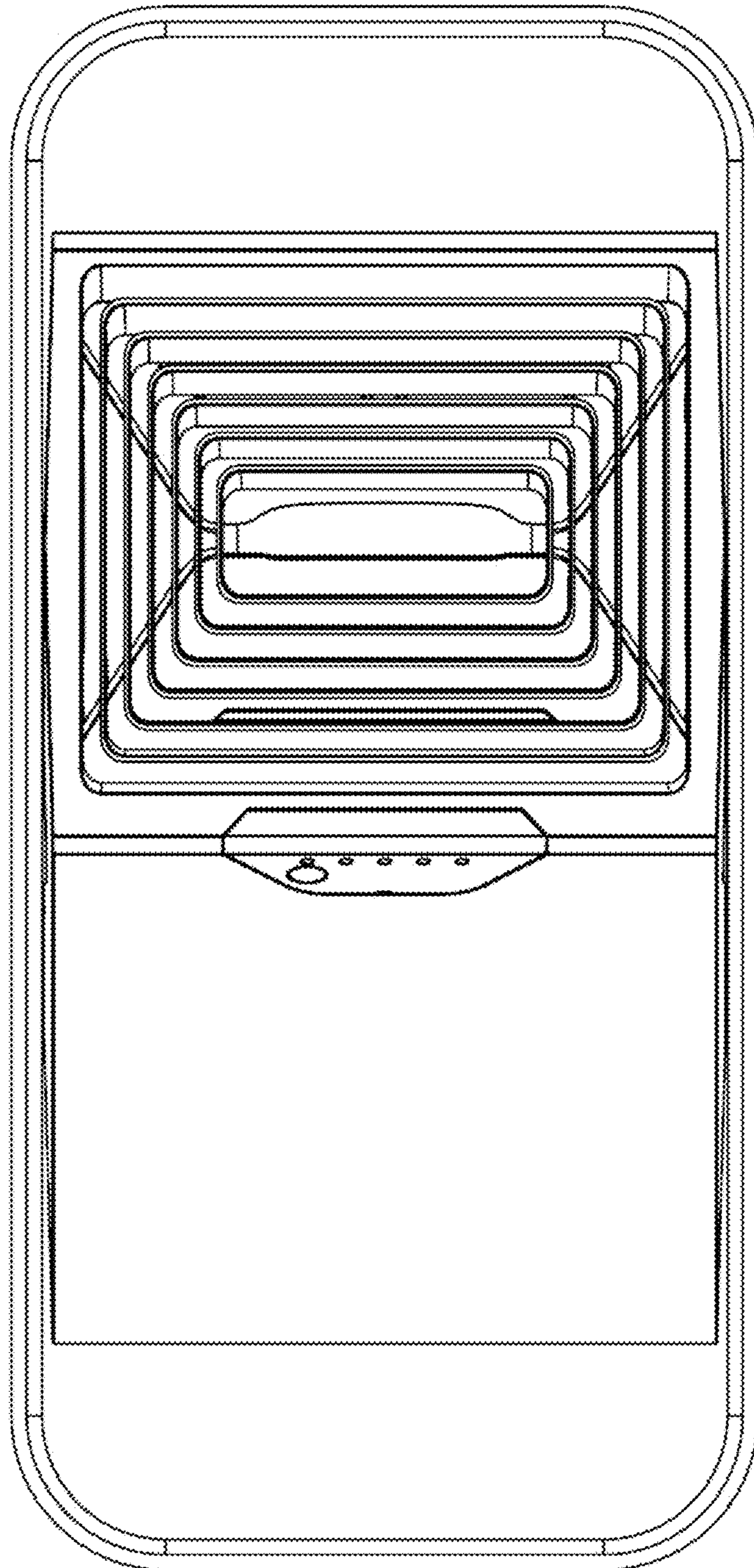
1.1



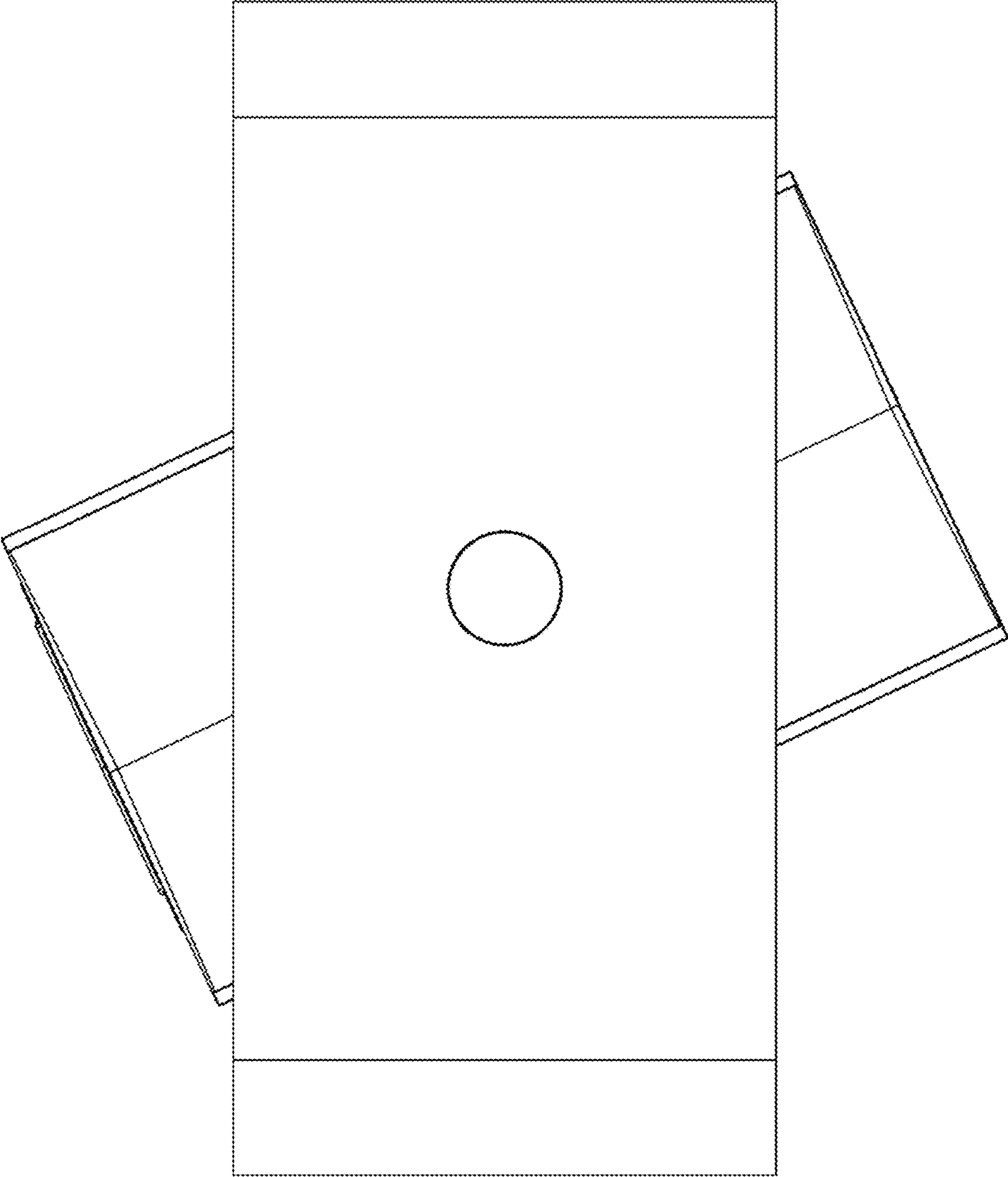
1.2



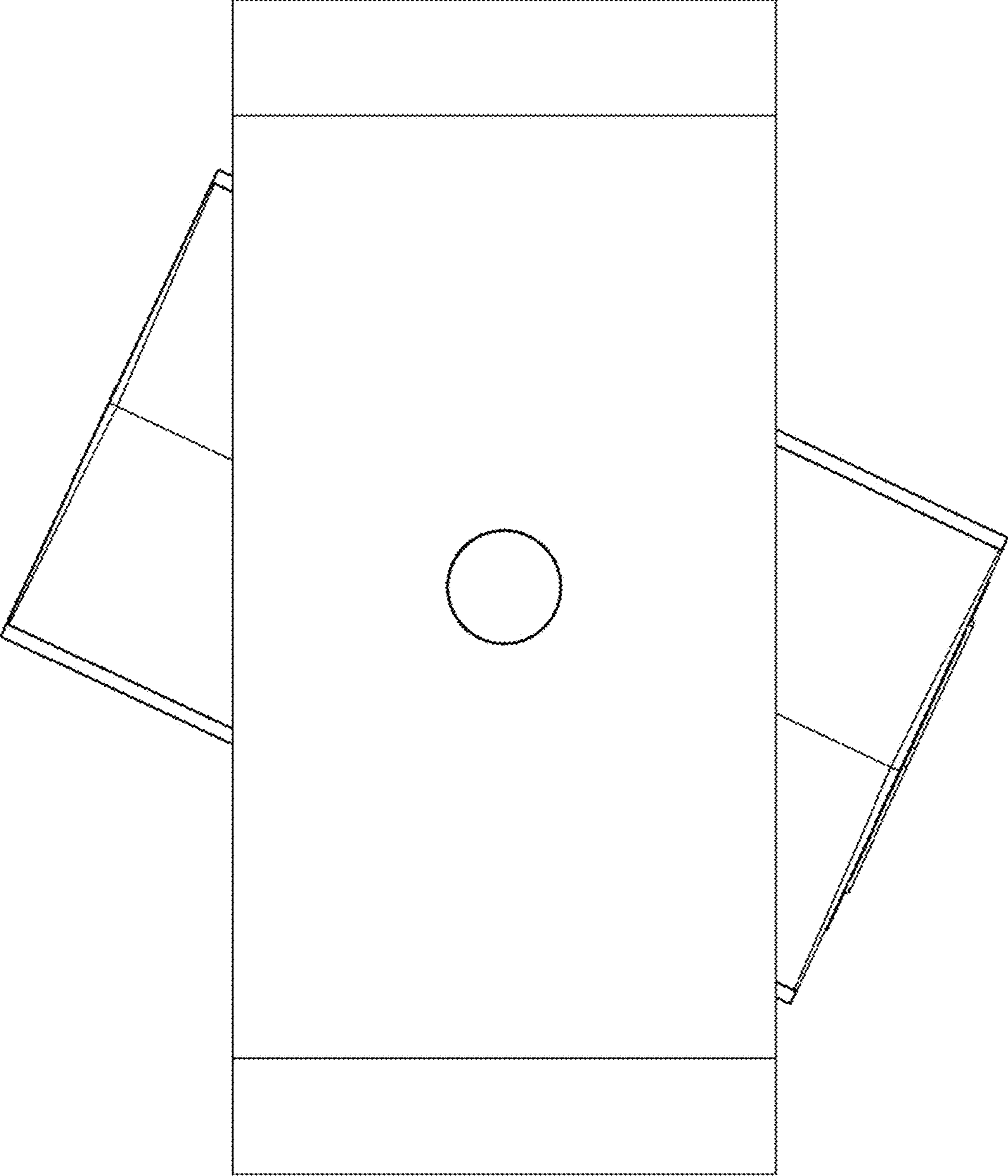
1.3



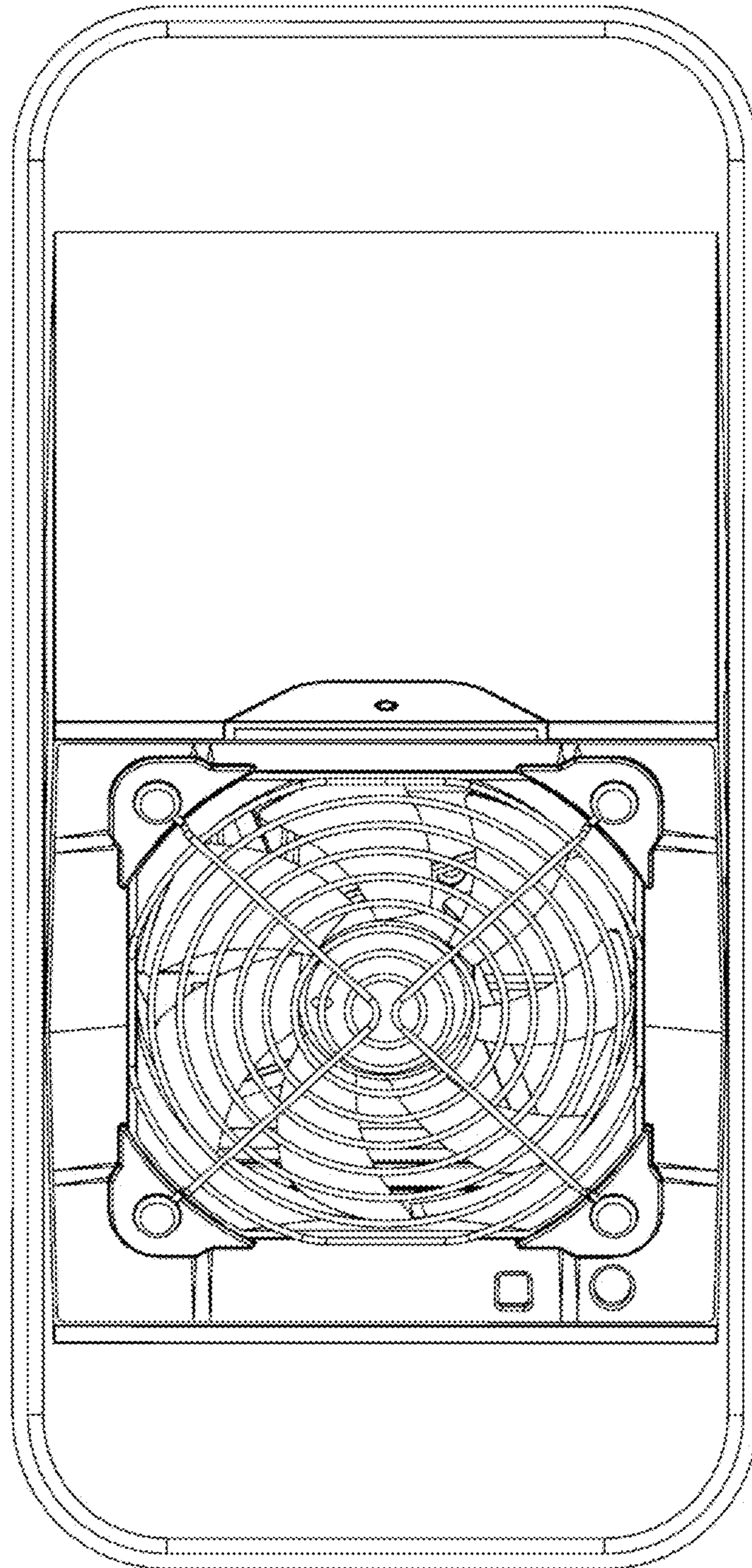
1.4



1.5



1.6



1.7

