



US00D982146S

(12) **United States Design Patent** (10) **Patent No.:** **US D982,146 S**
Huang (45) **Date of Patent:** **** Mar. 28, 2023**

(54) **HUMIDIFIER**

FOREIGN PATENT DOCUMENTS

(71) Applicant: **Haiyang Huang**, Guangzhou (CN)

CN 214065142 U * 8/2021

(72) Inventor: **Haiyang Huang**, Guangzhou (CN)

CN 215216545 U * 12/2021

JP 09089316 A * 4/1997

(73) Assignee: **Guangzhou Yifei Electrical Technology Co., Ltd.**, Guangzhou (CN)

OTHER PUBLICATIONS

(**) Term: **15 Years**

Yokekon KC-MH-2101 User Manual, posted on [date not available] [online], [retrieved Oct. 31, 2022]. Retrieved from internet, <https://www.manualslib.com/manual/2826116/Yokekon-Kc-Mh-2101.html?page=7#manual> (Year: 2022).*

(21) Appl. No.: **29/786,699**

Large Floor Humidifiers for Bedroom, posted on [Sep. 26, 2021] [online], [retrieved Oct. 31, 2022]. Retrieved from internet, <https://www.amazon.com/Large-Humidifiers-Bedroom-3-4Gal-Levels/dp/B09H5L5FM6/> (Year: 2021).*

(22) Filed: **Jun. 2, 2021**

(51) **LOC (14) Cl.** **23-04**

Korea Daewoo J9pro Air Humidifier, posted on [2019] [online], [retrieved Oct. 31, 2022]. Retrieved from internet, <https://product.suning.com/0070127954/12186987349.html> (Year: 2019).*

(52) **U.S. Cl.**

USPC **D23/356**

(58) **Field of Classification Search**

USPC D23/359, 360, 362, 364, 366-69, D23/355-358, 378

CPC F24F 2006/008; F24F 13/20; F24F 13/08; F24F 2221/12; F24F 6/14; F24F 2006/001; F24F 2006/003; F24F 2006/006; F24F 8/30; F24F 8/80; F24F 6/02; F24F 6/08; F24F 6/025

See application file for complete search history.

* cited by examiner

Primary Examiner — Sharon S Oum

Assistant Examiner — Dasia Keanna Gregg

(57) **CLAIM**

The ornamental design for a humidifier, as shown and described.

DESCRIPTION

(56) **References Cited**

U.S. PATENT DOCUMENTS

D290,997 S *	7/1987	Utsuki	D23/378
D294,292 S *	2/1988	Suzuki	D23/356
D677,773 S *	3/2013	Choi	D23/356
D918,365 S *	5/2021	Li	D23/359
D931,999 S *	9/2021	Chu	D23/335
11,339,984 B2 *	5/2022	Li	B01F 23/2133
D964,534 S *	9/2022	Yu	D23/364
2011/0237177 A1 *	9/2011	Stewart	F24F 3/0442 165/104.34
2017/0010008 A1 *	1/2017	Taoka	F24F 13/20
2021/0247099 A1 *	8/2021	Park	F24F 6/02
2021/0333010 A1 *	10/2021	Yang	F24F 3/14

FIG. 1 is a perspective view of a humidifier showing my new design;

FIG. 2 is a front elevational view thereof;

FIG. 3 is a rear elevational view thereof;

FIG. 4 is a left side elevational view thereof;

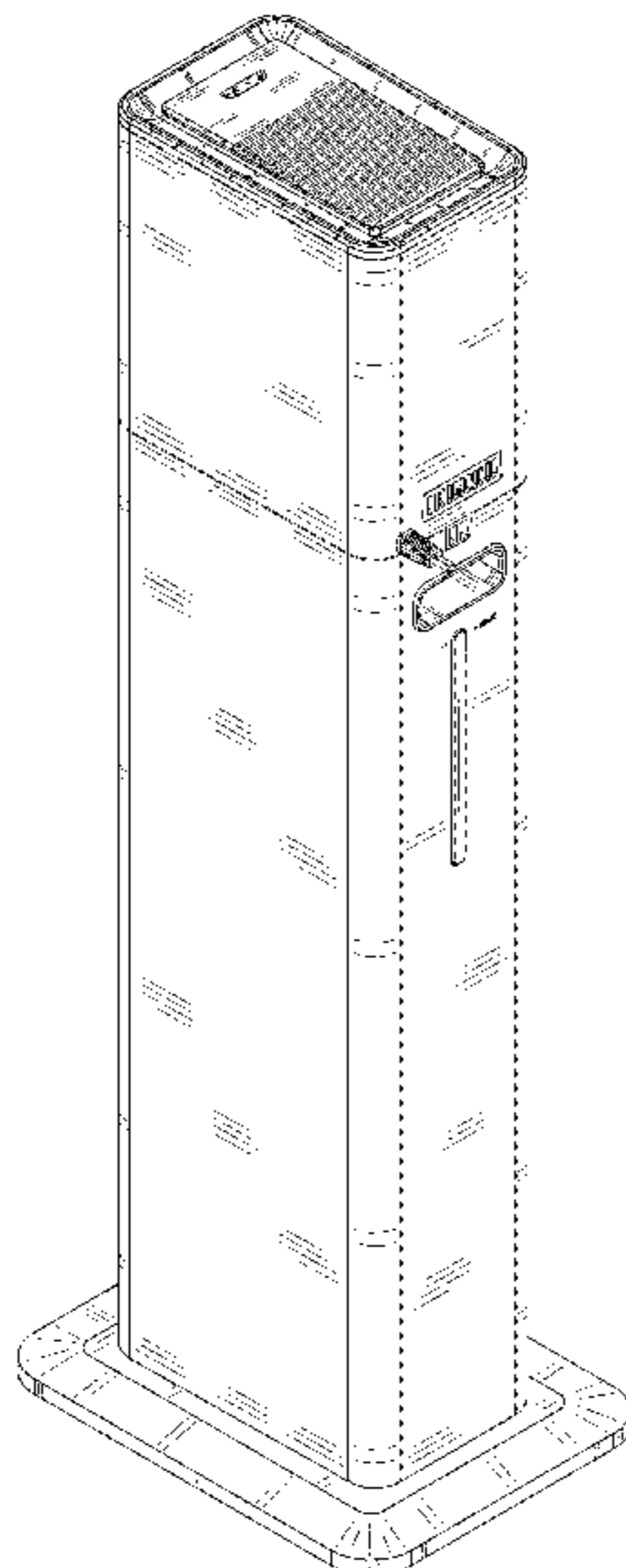
FIG. 5 is a right side elevational view thereof;

FIG. 6 is a top plan view thereof; and,

FIG. 7 is a bottom plan view thereof.

The broken lines throughout the drawing figures depict portions of the humidifier that form no part of the claimed design.

1 Claim, 7 Drawing Sheets



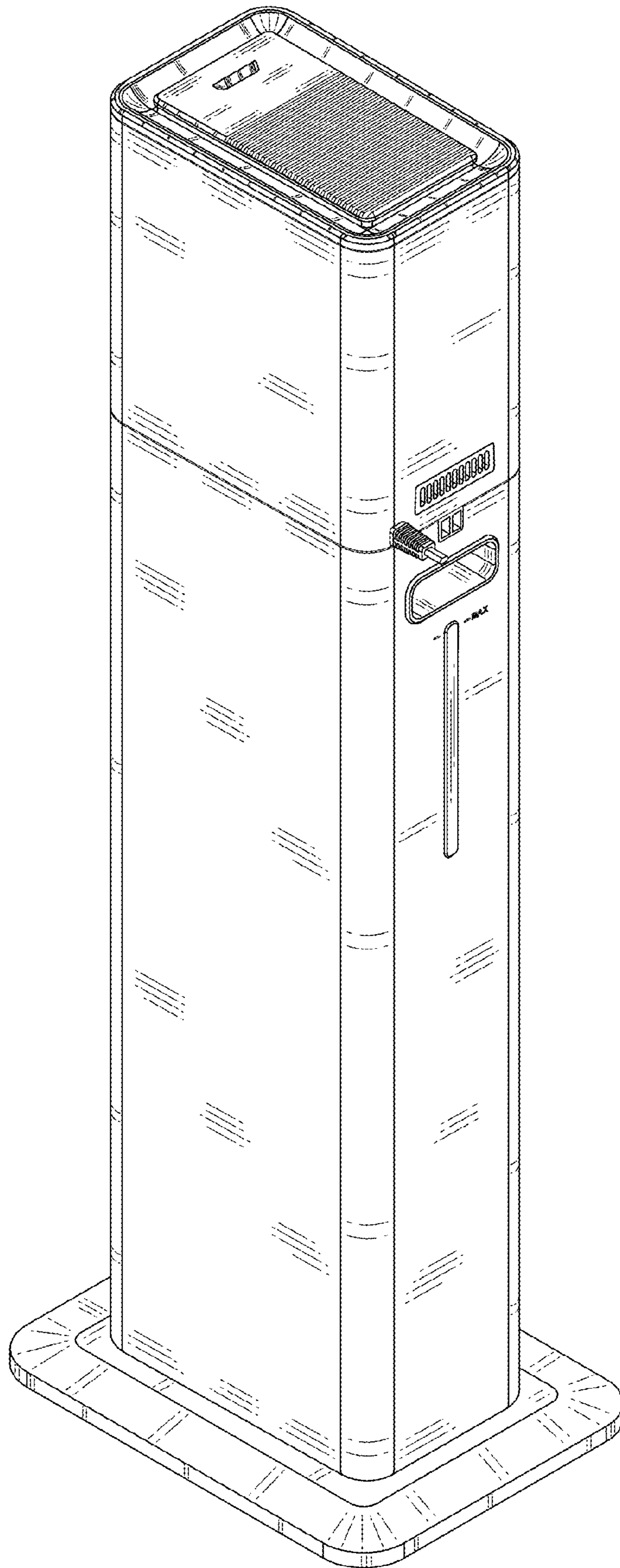


FIG.1

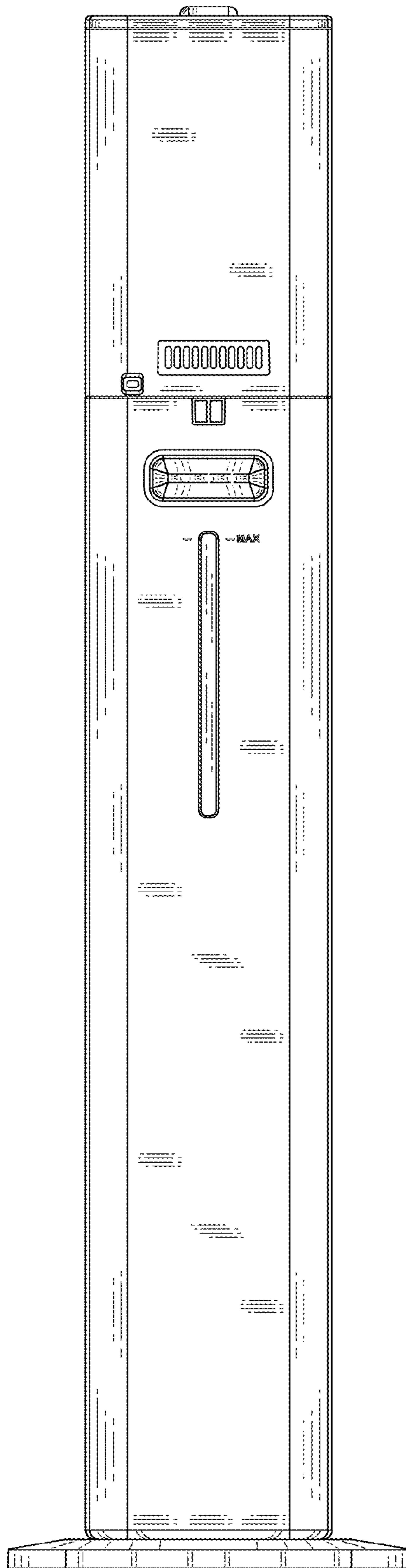


FIG. 2

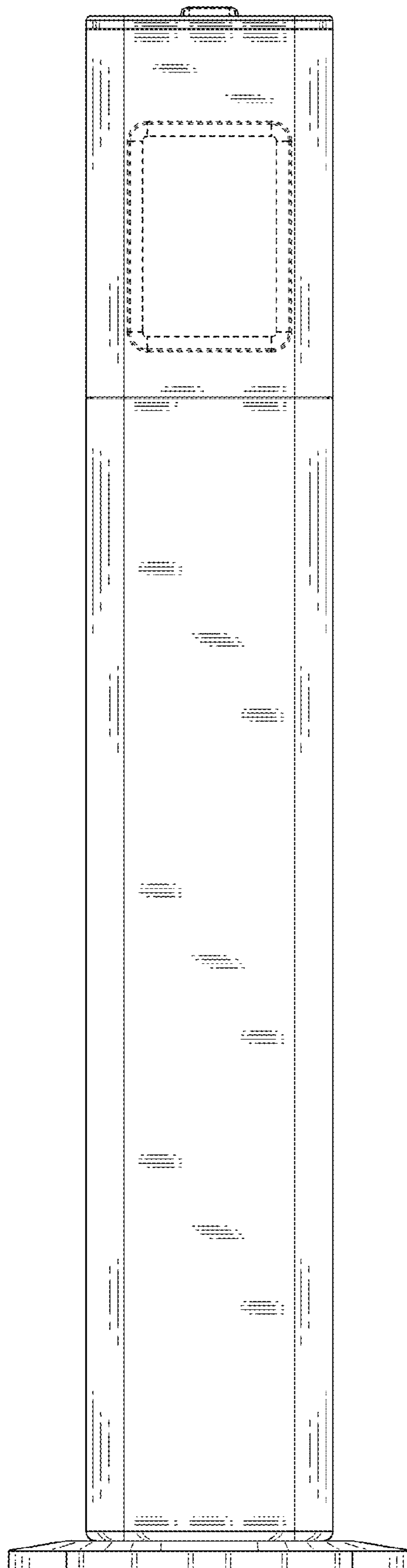


FIG.3

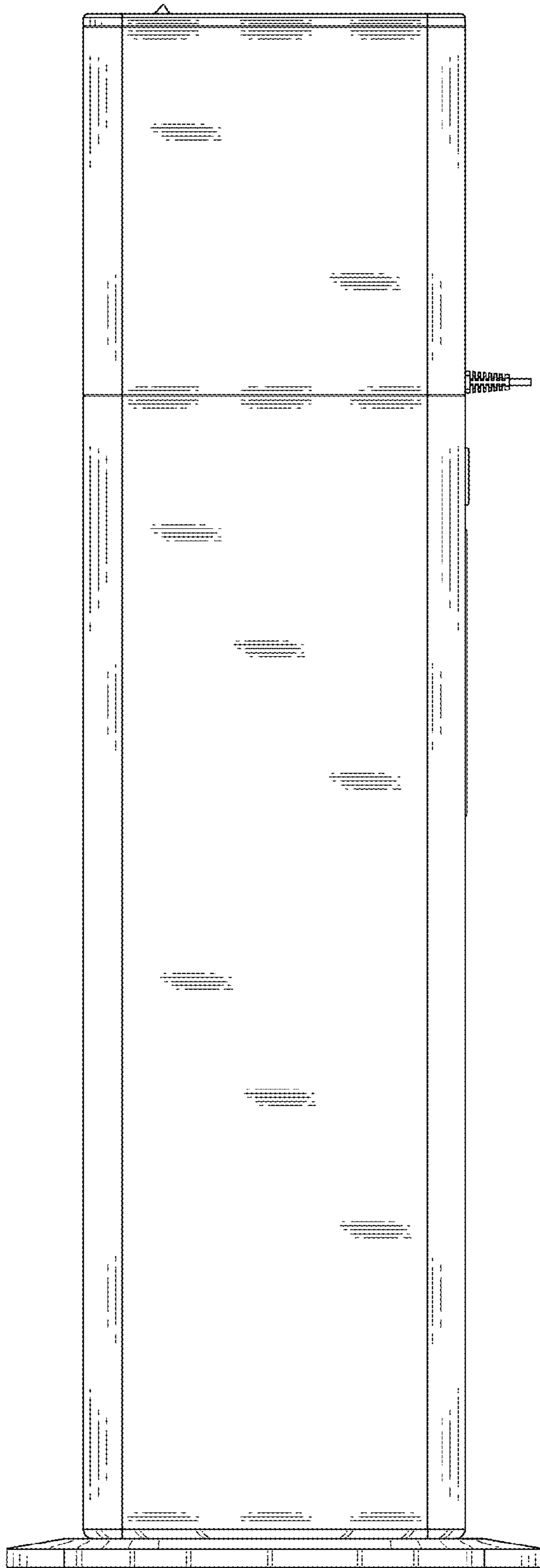


FIG.4

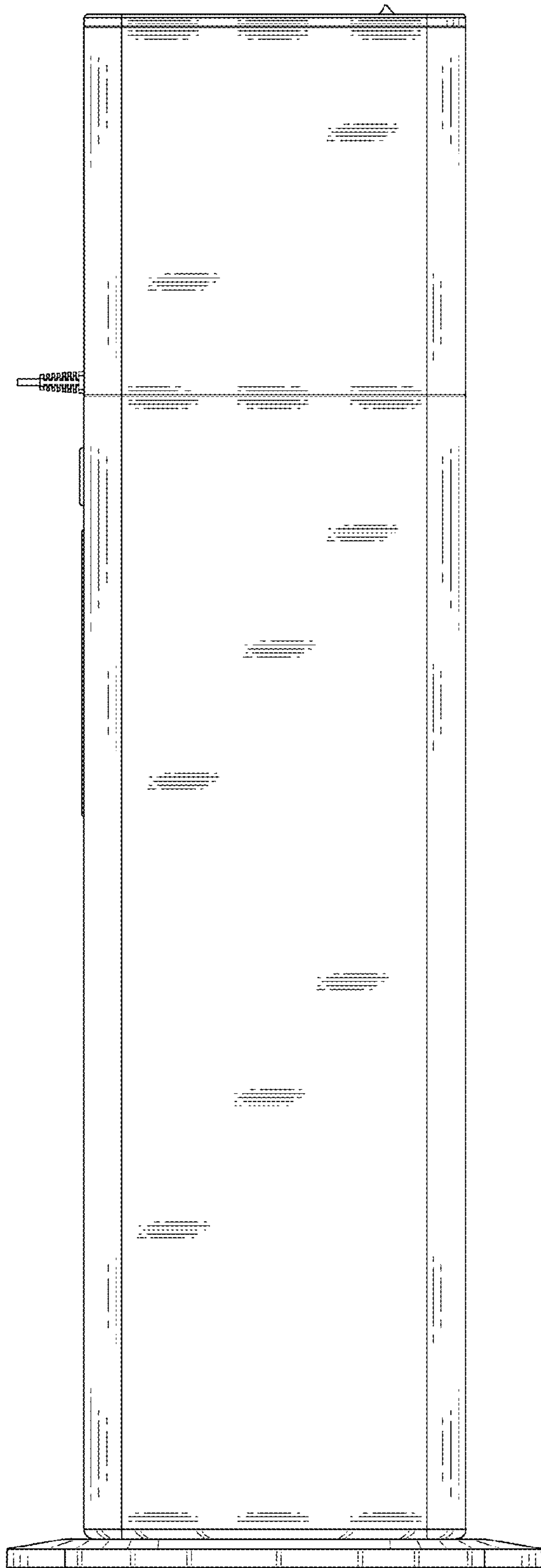


FIG.5

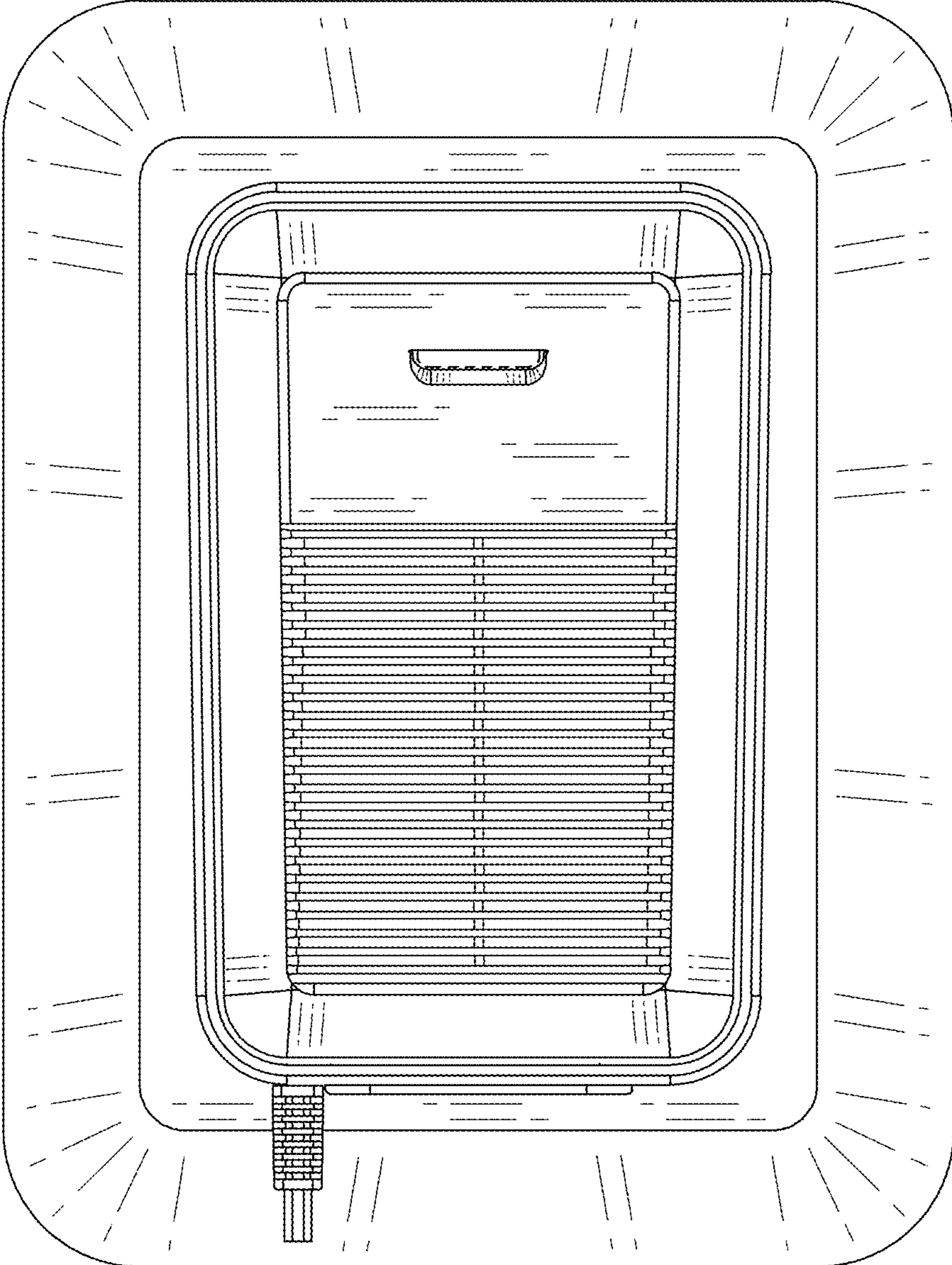


FIG.6

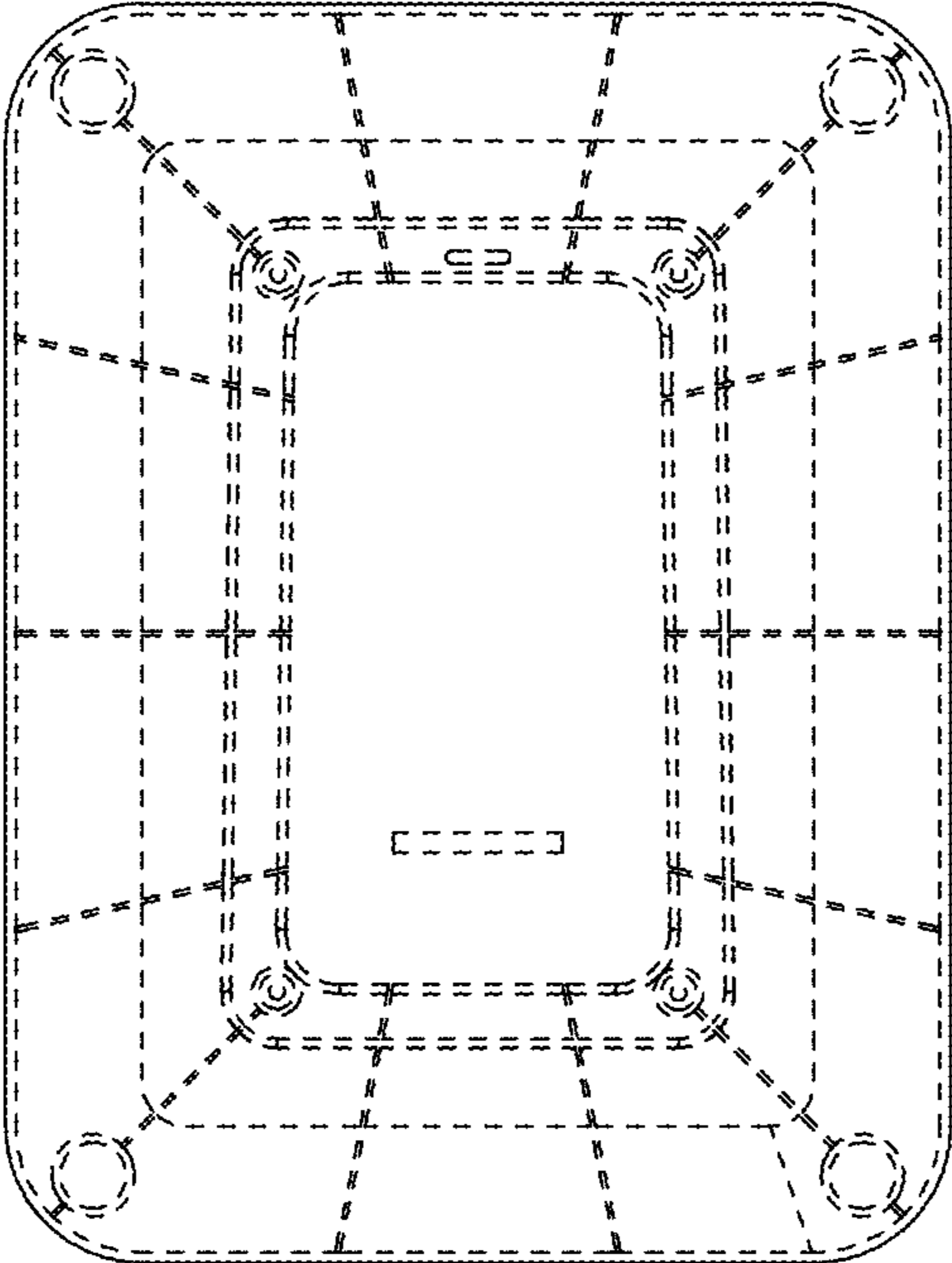


FIG.7