



US00D982144S

(12) **United States Design Patent**  
**Stoltzfus**

(10) **Patent No.:** **US D982,144 S**  
(45) **Date of Patent:** **\*\* Mar. 28, 2023**

- (54) **FIRE PIT GRILL**
- (71) Applicant: **Breco, LLC**, Kinzers, PA (US)
- (72) Inventor: **Amos A. Stoltzfus**, Gordonville, PA (US)
- (73) Assignee: **Breco, LLC**, Kinzers, PA (US)
- (\*\*) Term: **15 Years**
- (21) Appl. No.: **29/772,101**
- (22) Filed: **Feb. 26, 2021**

**Related U.S. Application Data**

- (63) Continuation of application No. 16/994,237, filed on Aug. 14, 2020.
- (51) **LOC (14) Cl.** ..... **23-03**
- (52) **U.S. Cl.**  
USPC ..... **D23/347**; D7/336
- (58) **Field of Classification Search**  
USPC ..... D23/403, 343, 347, 314, 317, 332, 335, D23/336, 339, 342, 348, 350, 356, 370, D23/378, 381, 382, 383, 411, 417; D7/332, 334-336, 408-409  
CPC ..... F24B 1/181; F24B 1/1808; F24B 13/008; F24H 1/205; F24H 9/2021; F24H 1/40; F24H 3/0429  
See application file for complete search history.

(56) **References Cited**

**U.S. PATENT DOCUMENTS**

- D191,186 S \* 8/1961 Maki ..... D7/336
- 5,094,223 A \* 3/1992 Gonzalez ..... F24B 15/005  
126/41 R
- D369,939 S \* 5/1996 Gibbs ..... D7/335
- 6,070,571 A \* 6/2000 Bradbury ..... A47J 37/0772  
126/30
- 6,289,795 B1 9/2001 McLemore et al.
- 6,578,568 B1 \* 6/2003 Dufort ..... F24B 1/205  
126/30

- 7,063,006 B1 \* 6/2006 Spehle ..... F24B 1/205  
126/30
- D582,197 S \* 12/2008 Parmelee ..... D7/335
- D734,975 S \* 7/2015 Troyer, Jr. .... D7/332
- D790,677 S 6/2017 Horsfield
- 9,763,539 B2 \* 9/2017 Robles ..... A47J 33/00
- D801,495 S \* 10/2017 Home, III ..... D23/336
- D812,957 S \* 3/2018 McGuinness ..... D7/334

(Continued)

**OTHER PUBLICATIONS**

“X19 Smokeless Fire Pit Grilling Bundle”, <https://breco.co/products/x-series-19-grilling-bundle>, reviewed over one year ago (2021), retrieved on Jul. 1, 2022. (Year: 2021).\*

*Primary Examiner* — Amy C Wierenga

*Assistant Examiner* — Andrea Marie McKay

(74) *Attorney, Agent, or Firm* — Fred H. Zollinger, III

(57) **CLAIM**

The ornamental design for a fire pit grill, as shown and described.

**DESCRIPTION**

FIG. 1 is an upper perspective view of a fire pit grill showing my new design.

FIG. 2 is a perspective section view taken along line 2-2 of FIG. 1.

FIG. 3 is an enlarged perspective view of the encircled portion of FIG. 2.

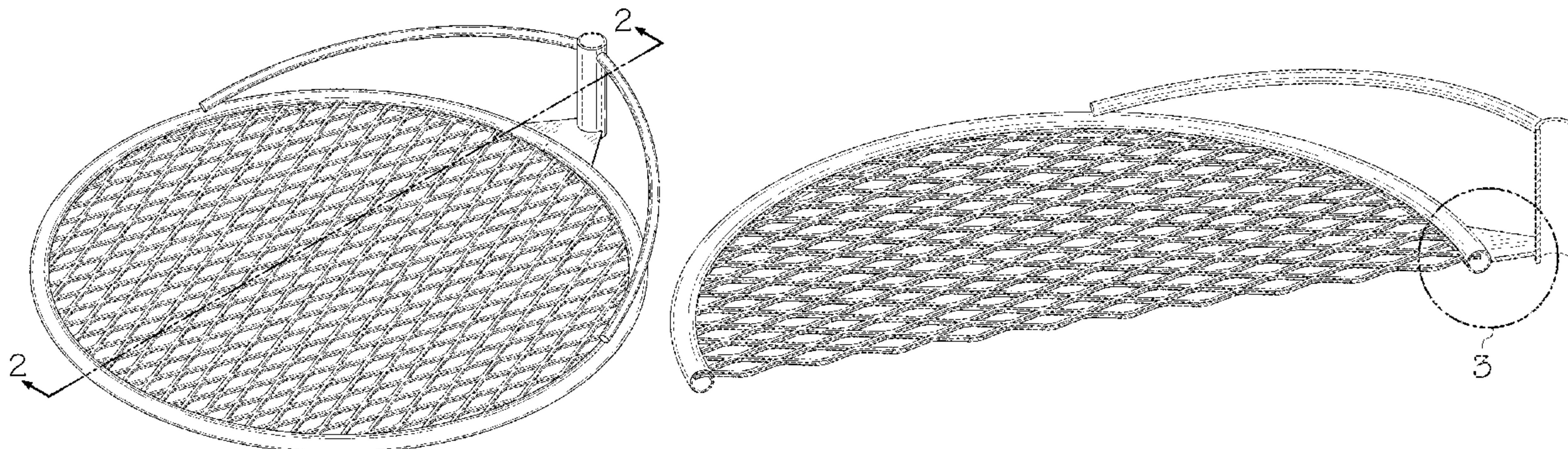
FIG. 4 is a front elevation of the fire pit grill of FIG. 1.

FIG. 5 is a right side elevation view thereof; and,

FIG. 6 is a top plan view thereof.

The evenly spaced broken lines shown in the drawings illustrate portions of the fire pit grill that form no part of the claimed design. The long dash-short dash-short dash broken lines indicate cutoff boundaries for enlarged detailed portion views and form no part of the claim.

**1 Claim, 6 Drawing Sheets**



(56)

**References Cited**

## U.S. PATENT DOCUMENTS

10,098,502 B2 \* 10/2018 Ohler ..... A47J 37/0754  
10,130,212 B2 \* 11/2018 Lopez ..... A47J 37/0704  
10,222,092 B1 3/2019 Traeger  
D845,455 S 4/2019 Horsfield  
10,473,334 B2 11/2019 Crosen  
10,517,428 B2 \* 12/2019 Marlett ..... A47J 37/043  
D877,553 S \* 3/2020 Jordan ..... D7/338  
D956,193 S \* 6/2022 Stoltzfus ..... D23/347  
D961,321 S \* 8/2022 Lam ..... D7/334  
2004/0055590 A1 3/2004 Warnick et al.  
2007/0017500 A1 1/2007 Chen  
2015/0201804 A1 7/2015 Liao  
2015/0285507 A1 \* 10/2015 Troyer, Jr. .... F24B 1/182  
126/30  
2015/0305561 A1 \* 10/2015 Andol ..... A47J 37/0704  
126/25 A  
2016/0029841 A1 \* 2/2016 Walker ..... F24C 1/16  
99/445  
2016/0166109 A1 6/2016 Banal et al.  
2018/0184840 A1 \* 7/2018 Maga ..... A47J 33/00  
2019/0137107 A1 5/2019 Crosen  
2020/0077840 A1 \* 3/2020 White ..... F24B 1/205  
2020/0096199 A1 \* 3/2020 Harrington ..... F24B 5/025  
2021/0045578 A1 2/2021 Stollzlus

\* cited by examiner



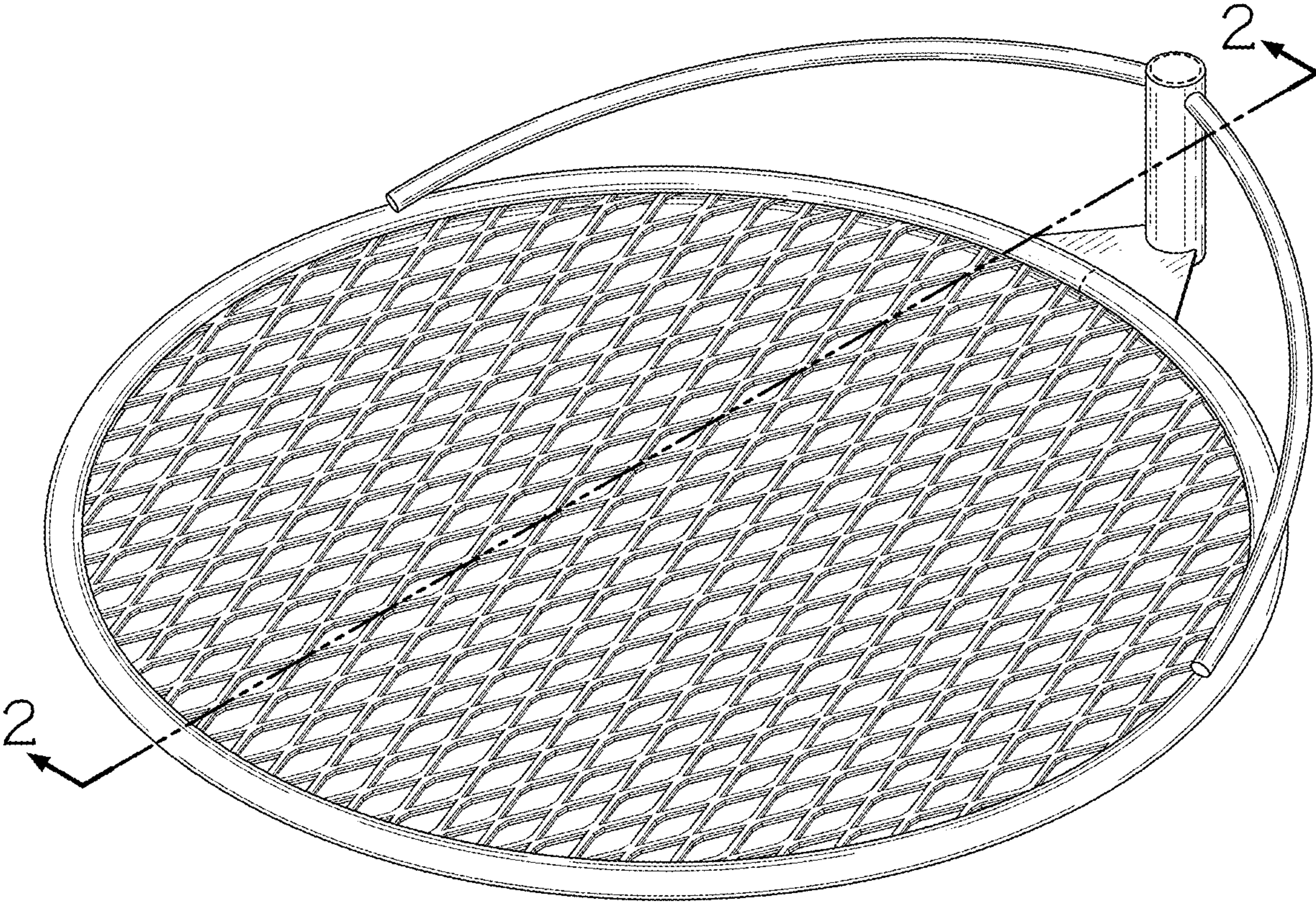


FIG. 1



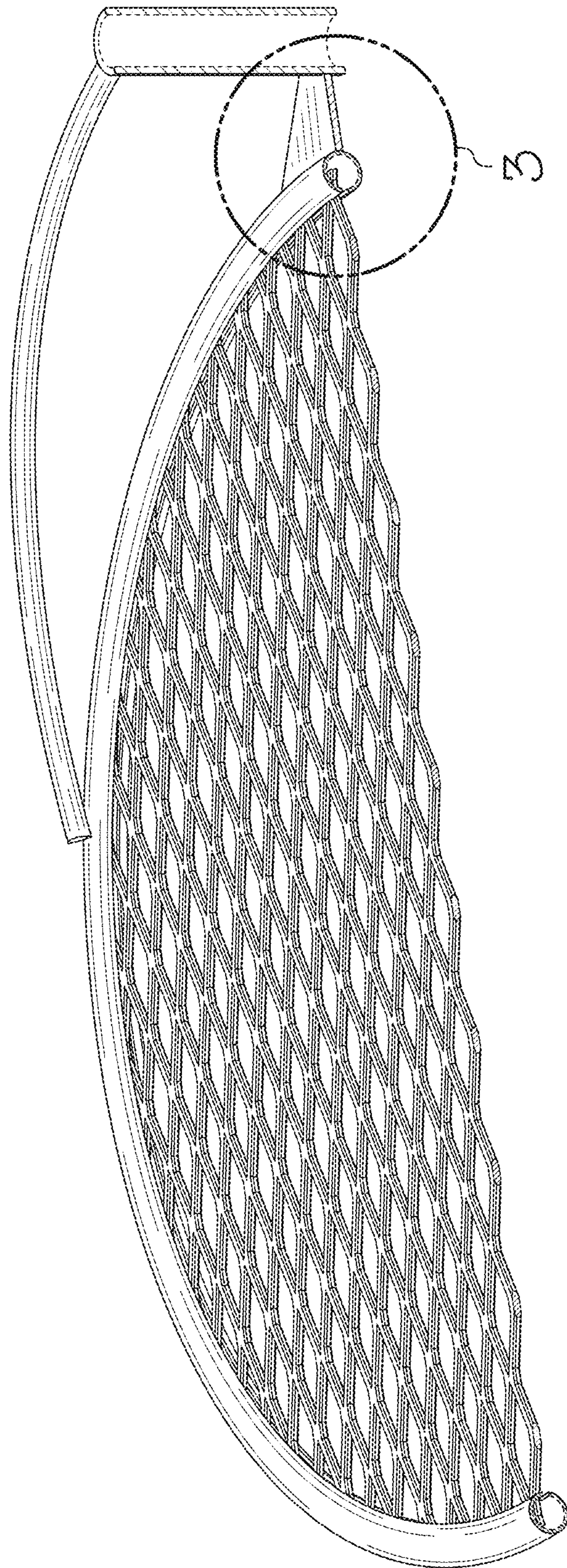


FIG. 2

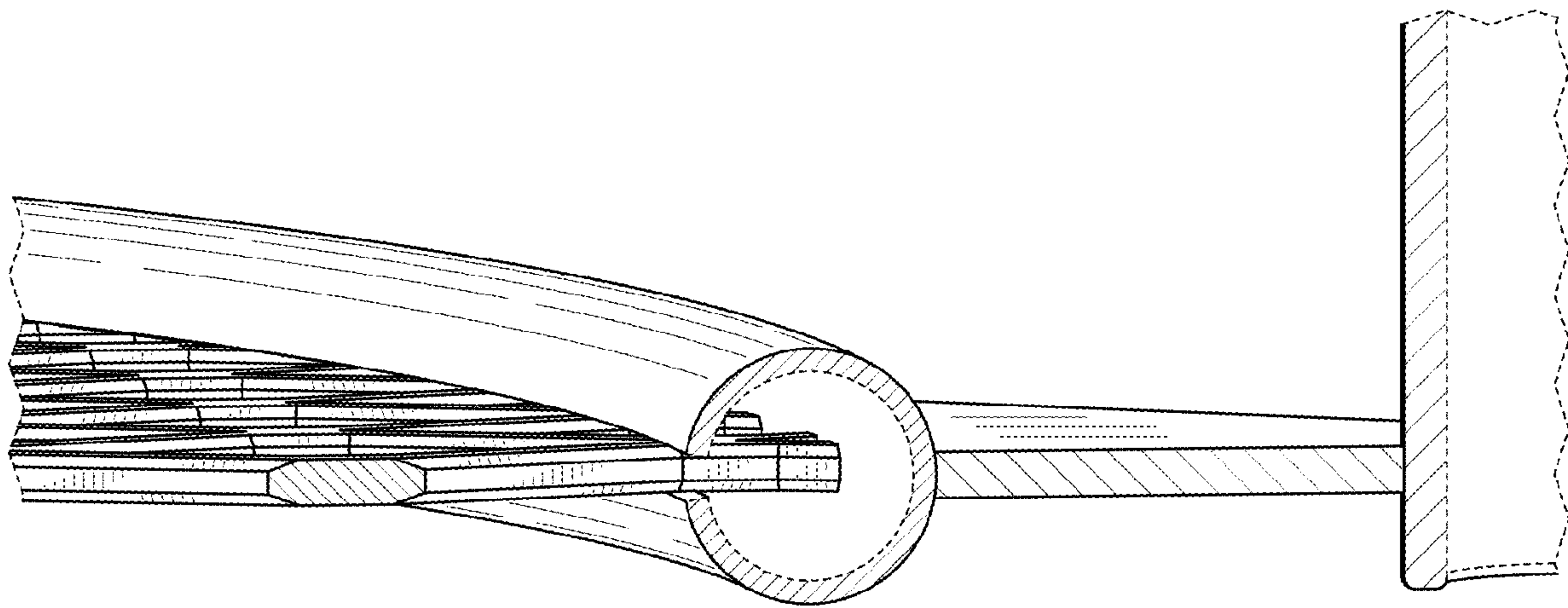


FIG. 3

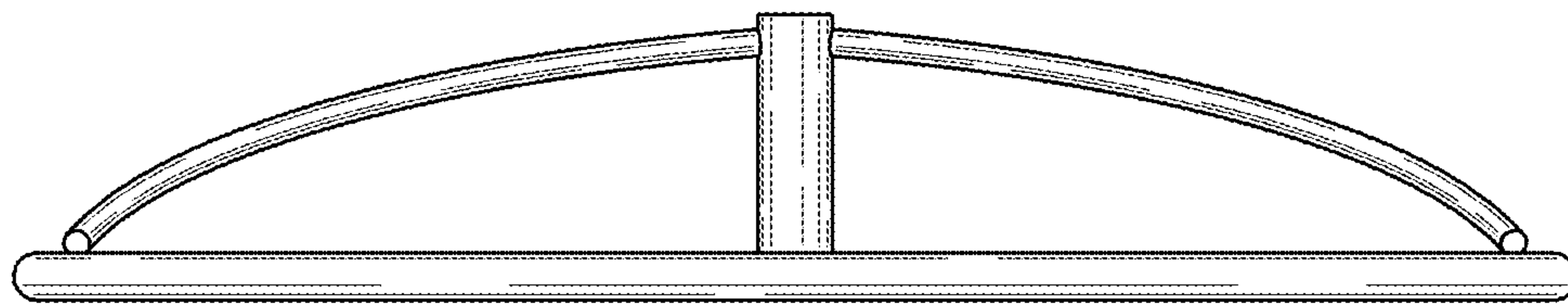


FIG. 4

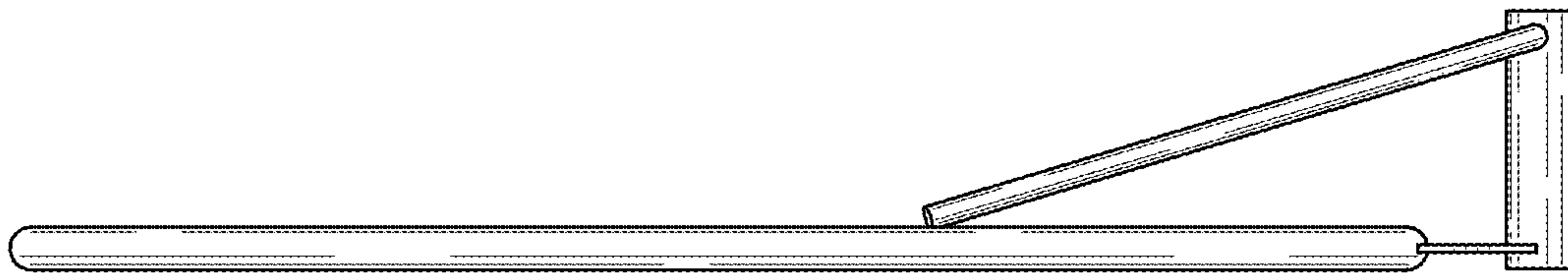


FIG. 5



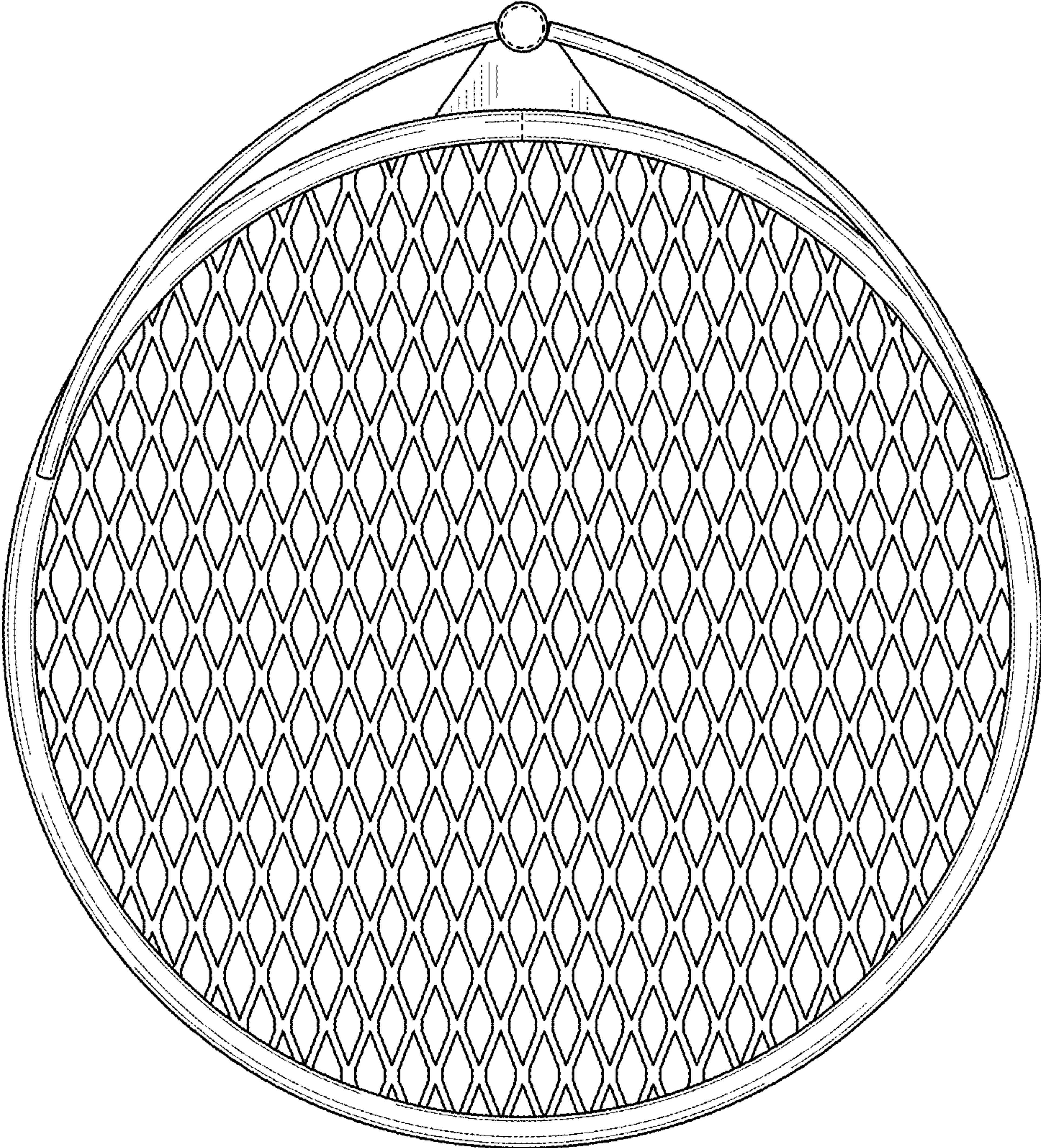


FIG. 6