



US00D982141S

(12) **United States Design Patent**
Dillehay

(10) **Patent No.:** **US D982,141 S**
(45) **Date of Patent:** **** Mar. 28, 2023**

- (54) **MOLDED COOLANT HOSE**
- (71) Applicant: **No Limit Enterprises, Inc.**, Moorpark, CA (US)
- (72) Inventor: **Michael Dillehay**, Moorpark, CA (US)
- (73) Assignee: **No Limit Enterprises, Inc.**, Moorpark, CA (US)
- (**) Term: **15 Years**
- (21) Appl. No.: **29/778,587**
- (22) Filed: **Apr. 14, 2021**
- (51) **LOC (14) Cl.** **23-01**
- (52) **U.S. Cl.**
USPC **D23/266; D23/263; D23/268**
- (58) **Field of Classification Search**
USPC D23/266, 219, 259, 262, 263, 223, 249, D23/229, 268, 264; D27/162-164, 167, D27/169, 194; D24/129; D13/155; D8/396, 397
CPC .. F16L 11/00; F16L 11/04; F16L 11/12; F16L 9/00; F16L 13/00; F16L 33/23; F16L 25/0036; F16L 45/00; F01P 11/04; H01B 7/423; D01D 5/24; F01M 2011/033; Y10T 29/49435; E03C 1/284; E03C 1/22; E03C 1/302; E03C 1/12; F01N 13/009; F01N 3/02
See application file for complete search history.

- 172,865 A * 2/1876 Brandeis E03C 1/284 137/247.49
- 178,059 A * 5/1876 Hutchins E03C 1/284 137/247.49
- 187,182 A * 2/1877 Schoenberg E03C 1/284 137/247.51
- 220,767 A * 10/1879 McCloskey E03C 1/284 137/247.49
- 1,198,759 A * 9/1916 Pinder et al. E03C 1/284 210/534
- 3,908,208 A * 9/1975 McIlroy E03C 1/284 285/4
- 4,733,890 A * 3/1988 Vyse F16L 37/088 285/321
- D307,047 S * 4/1990 Watson D23/266
- D351,899 S * 10/1994 Isber D23/268
- D421,705 S * 3/2000 Smith D23/266
- D434,478 S * 11/2000 Sanders D23/266

(Continued)

Primary Examiner — Amy C Wierenga

Assistant Examiner — Kathryn Elizabeth Zieno

(74) *Attorney, Agent, or Firm* — Gurr Brande & Spendlove, PLLC; Robert A. Gurr

(57) **CLAIM**

The ornamental design for a molded coolant hose, as shown and described.

DESCRIPTION

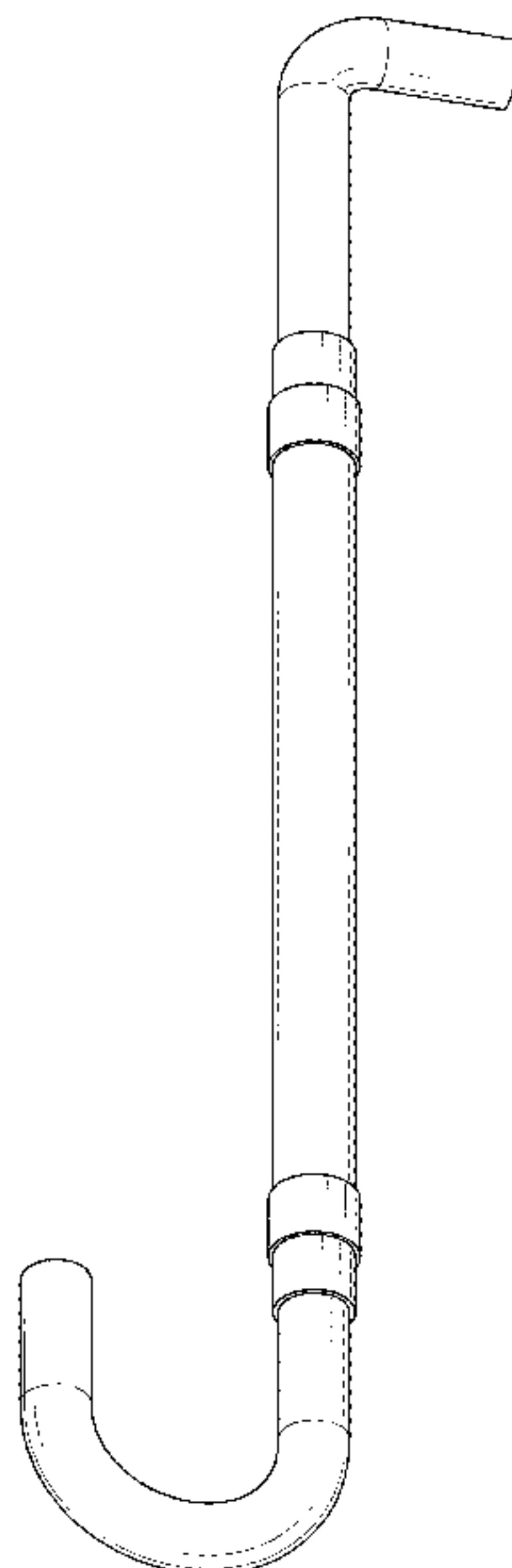
FIG. 1 is a side, bottom perspective view of a molded coolant hose;
 FIG. 2 is a left side elevation view of the molded coolant hose;
 FIG. 3 is a right side elevation view of the molded coolant hose;
 FIG. 4 is a bottom plan view of the molded coolant hose;
 FIG. 5 is a top plan view of the molded coolant hose;
 FIG. 6 is a rear elevation view of the molded coolant hose;
 and,
 FIG. 7 is a front elevation view of the molded coolant hose.

1 Claim, 4 Drawing Sheets

(56) **References Cited**

U.S. PATENT DOCUMENTS

- 127,620 A * 6/1872 Lowe F16L 45/00 138/92
- 128,263 A * 6/1872 Thompson E03C 1/284 137/247.49
- 165,302 A * 7/1875 Butler E03C 1/284 137/247.49



(56)

References Cited

U.S. PATENT DOCUMENTS

6,508,275 B1 * 1/2003 Sadr B60K 15/04
138/119
D483,097 S * 12/2003 Napoli D23/266
D525,676 S * 7/2006 Arno D23/209
D601,230 S * 9/2009 Misir D23/266
D675,294 S * 1/2013 Mitchell D23/263
D675,298 S * 1/2013 Gridley G09B 19/00
D23/266
D680,966 S * 4/2013 Gross D13/155
D760,877 S * 7/2016 Drake D23/266
D799,638 S * 10/2017 Janton D23/266
D837,951 S * 1/2019 Morlet D23/266
D888,902 S * 6/2020 Lee D23/266
D900,286 S * 10/2020 Daughters D23/262
D904,578 S * 12/2020 Chabot D23/262
2002/0116759 A1 * 8/2002 Mantyla E03C 1/284
4/679
2007/0227610 A1 * 10/2007 Sakazaki F16L 11/06
138/137
2009/0065971 A1 * 3/2009 De Rijcke B29C 48/131
901/41
2016/0272050 A1 * 9/2016 Shigematsu F24F 13/22
2020/0040560 A1 * 2/2020 Branton E03C 1/284
2020/0080669 A1 * 3/2020 Hsieh B29C 48/2883

* cited by examiner

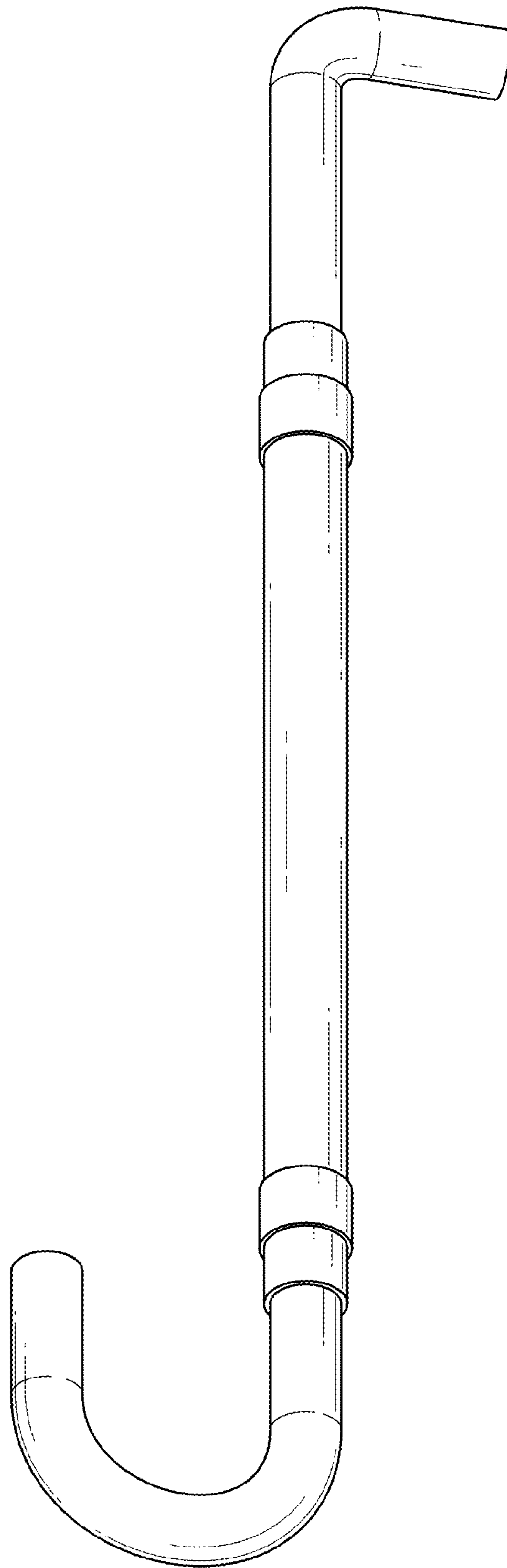


FIG. 1

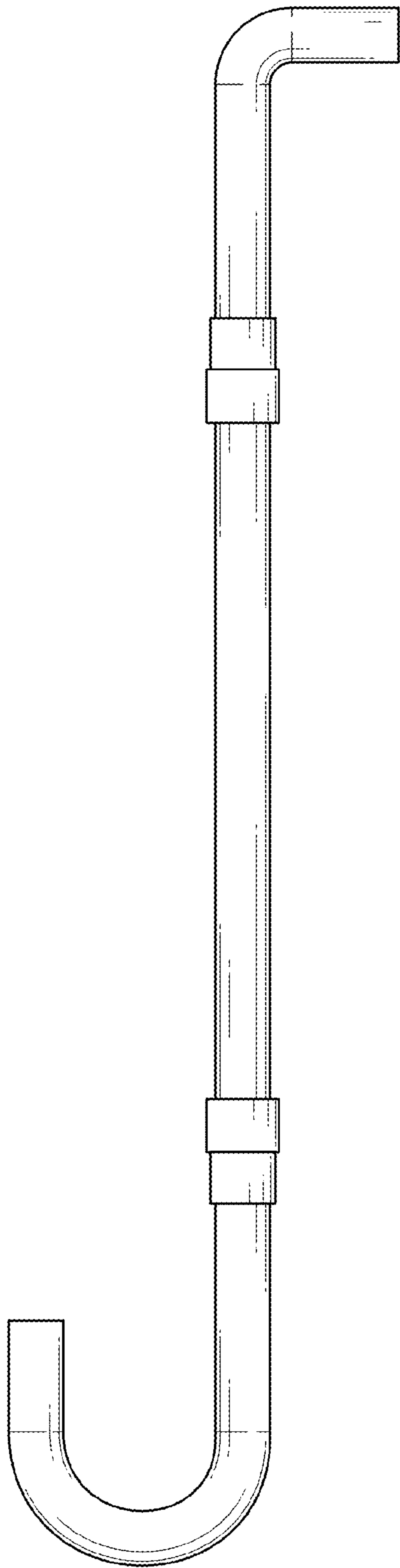


FIG. 2

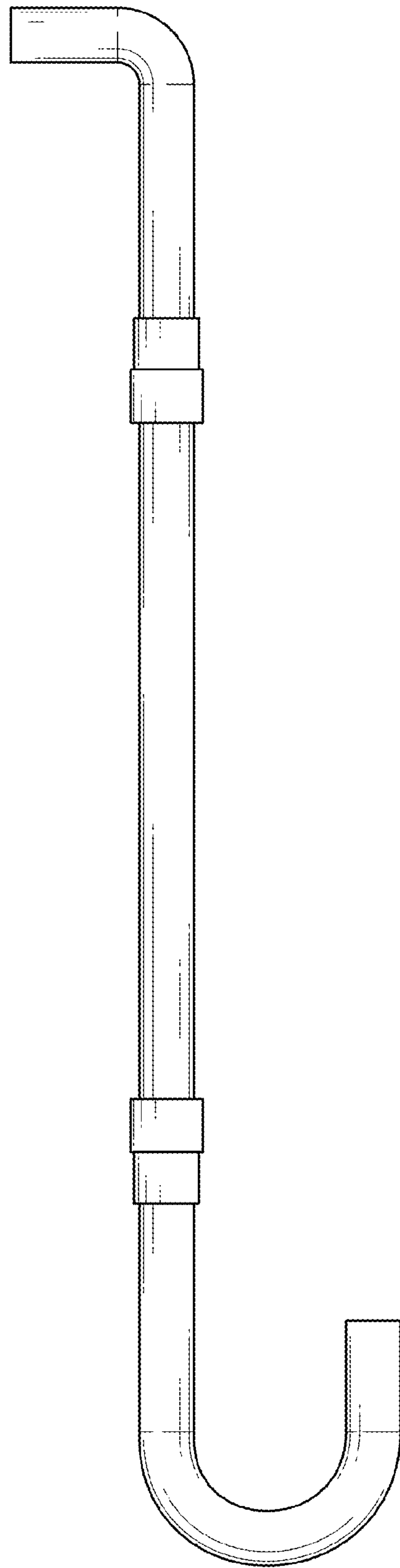


FIG. 3

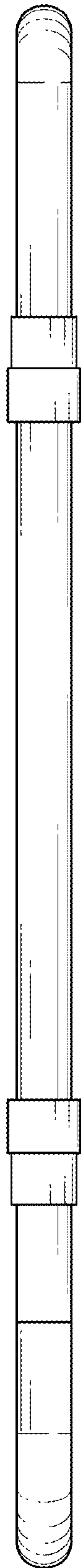


FIG. 4

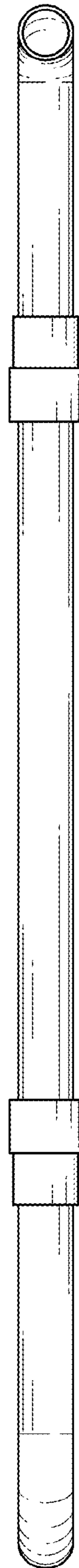


FIG. 5

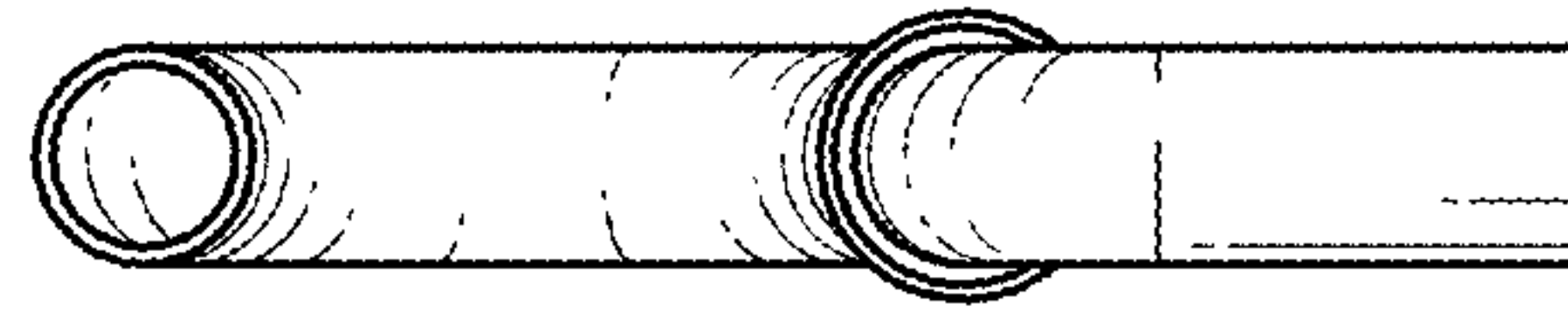


FIG. 6

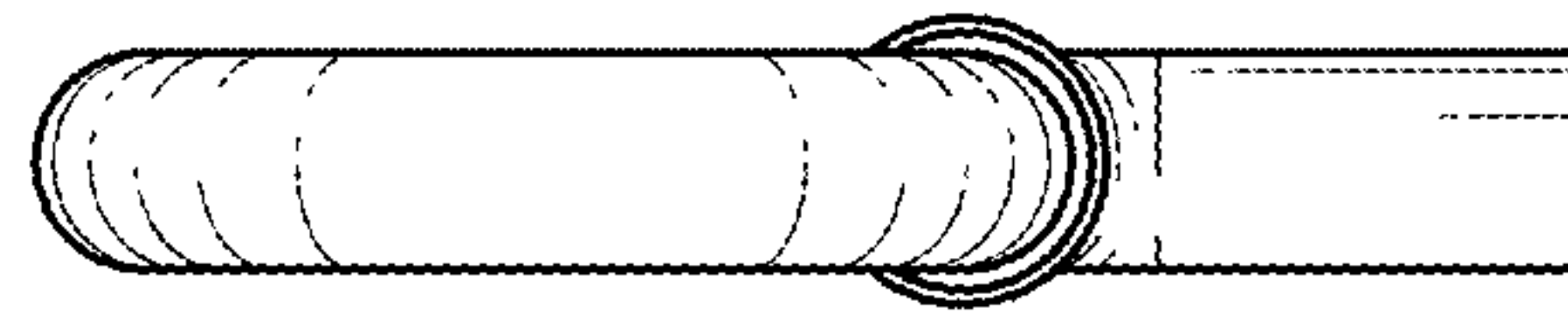


FIG. 7