



US00D982140S

(12) **United States Design Patent**  
**Mitrovic**

(10) **Patent No.:** **US D982,140 S**

(45) **Date of Patent:** **\*\* \*Mar. 28, 2023**

(54) **LOCKING CONNECTOR**

(71) Applicant: **DIALITY INC.**, Irvine, CA (US)

(72) Inventor: **Miroslav Mitrovic**, Irvine, CA (US)

(73) Assignee: **DIALITY INC.**, Irvine, CA (US)

(\*) Notice: This patent is subject to a terminal disclaimer.

(\*\*) Term: **15 Years**

(21) Appl. No.: **29/712,126**

(22) Filed: **Nov. 5, 2019**

(51) **LOC (14) Cl.** ..... **23-01**

(52) **U.S. Cl.**

USPC ..... **D23/262**; D24/129

(58) **Field of Classification Search**

USPC ..... D23/259, 262–266, 245, 213, 233, 235;  
285/197–200; 137/315.23, 798;  
138/109–110, 155, 96 T; D13/133, 151;  
D8/382, 396; D24/112, 127, 129

CPC ..... F16L 37/252; F16L 43/00

See application file for complete search history.

(56) **References Cited**

**U.S. PATENT DOCUMENTS**

D314,814 S \* 2/1991 Lubeck ..... D23/262  
D320,842 S \* 10/1991 Roman ..... D23/262  
D484,036 S \* 12/2003 Koch ..... D8/397  
D575,377 S \* 8/2008 Roman ..... D23/259

8,181,997 B2 \* 5/2012 Wang ..... F16L 37/0985  
285/314  
D702,343 S \* 4/2014 Dale ..... D24/129  
D725,747 S \* 3/2015 Alexander ..... D23/233  
D810,029 S \* 2/2018 Robert ..... D13/151  
2007/0096464 A1 \* 5/2007 Spadotto ..... A01G 25/02  
285/322  
2010/0295292 A1 \* 11/2010 Wang ..... F16L 33/224  
285/24  
2011/0042943 A1 \* 2/2011 Gershkovich ..... F16L 37/0925  
285/308

\* cited by examiner

*Primary Examiner* — Amy C Wierenga

(74) *Attorney, Agent, or Firm* — David Duckworth

(57) **CLAIM**

The ornamental design for the locking connector, as shown and described.

**DESCRIPTION**

FIG. 1 is a bottom left rear perspective view of the locking connector of our design;

FIG. 2 is a top right front perspective view thereof;

FIG. 3 is a left side elevation view thereof;

FIG. 4 is a right side elevation view thereof;

FIG. 5 is a front elevation view thereof;

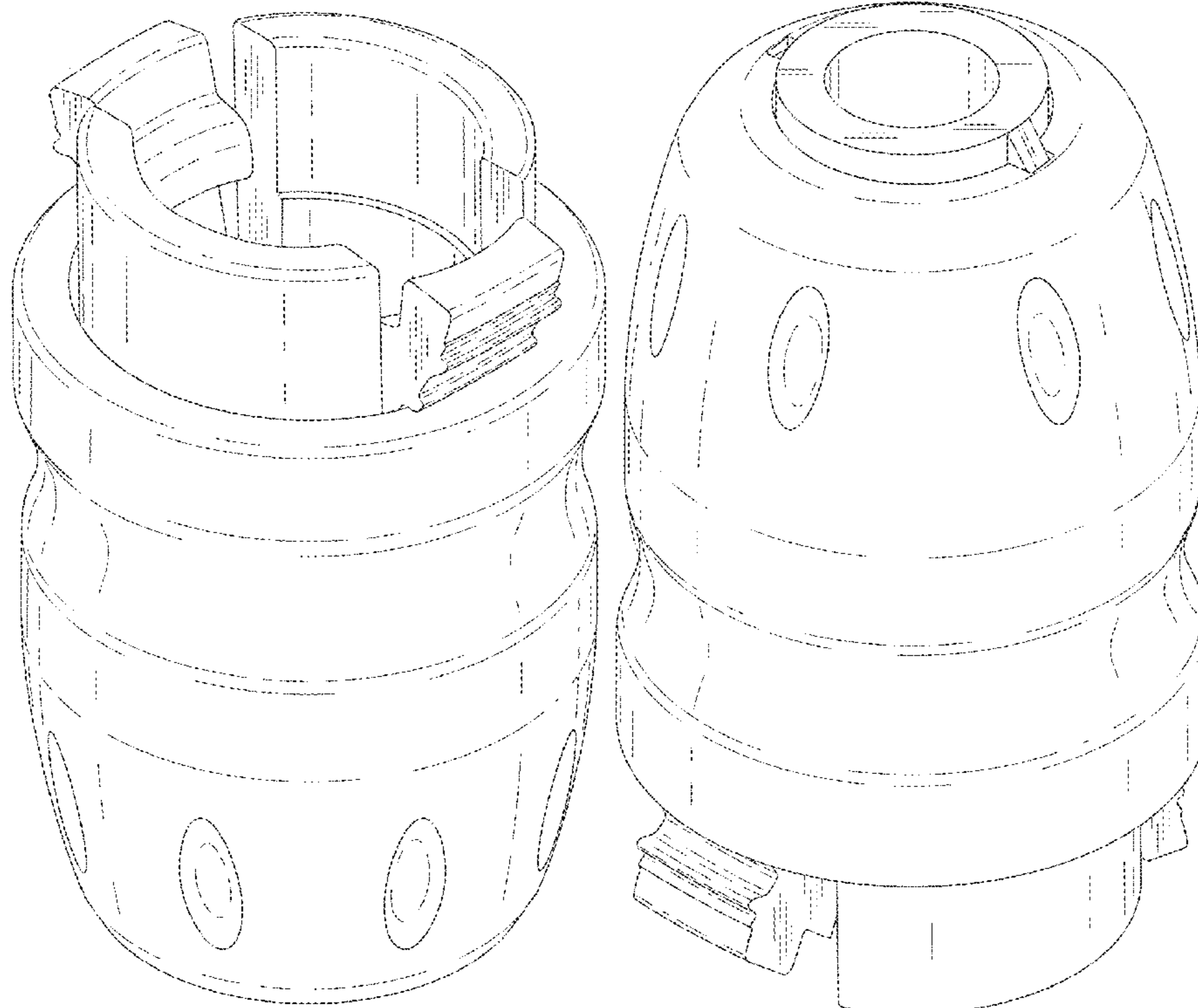
FIG. 6 is a rear elevation view thereof;

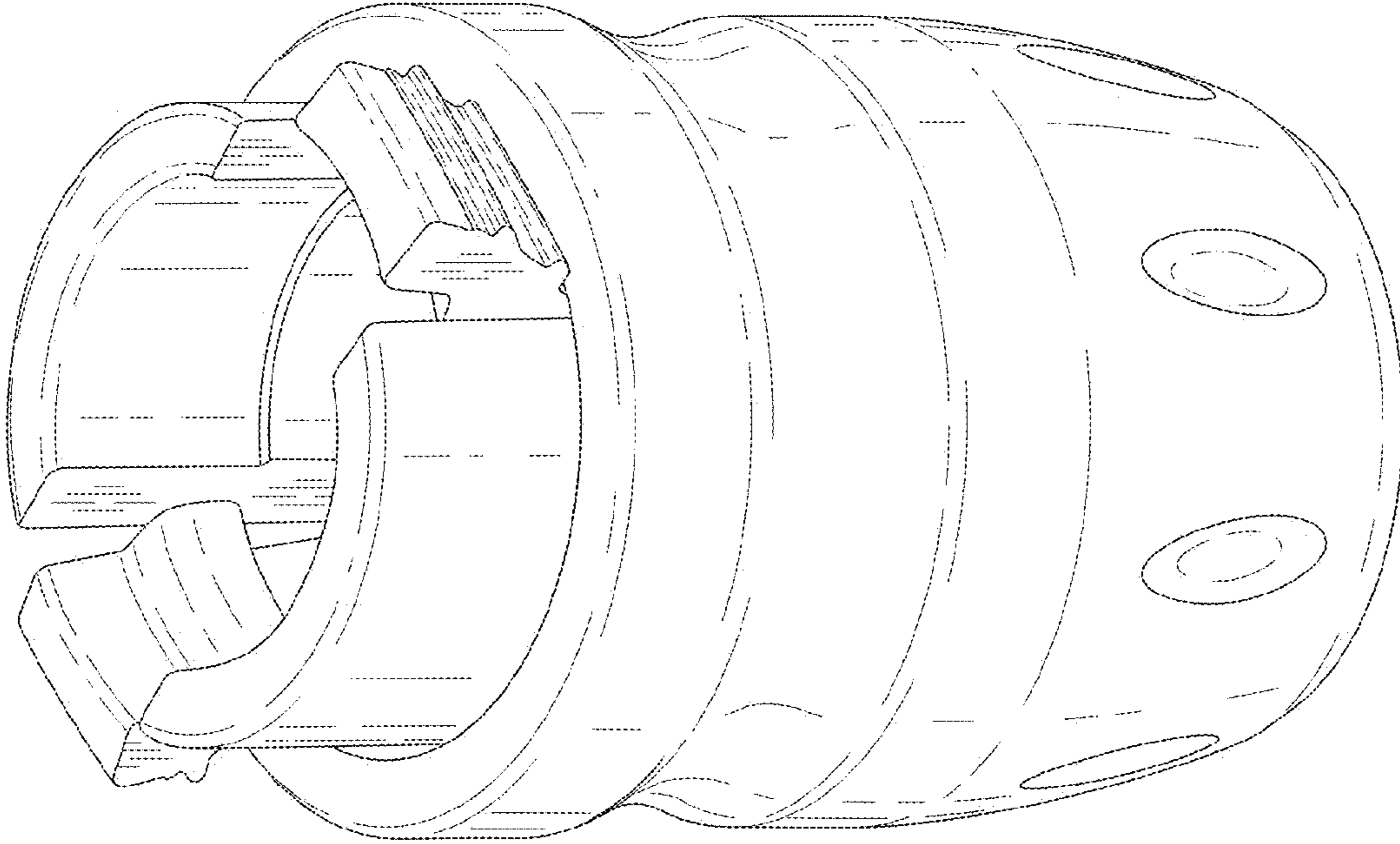
FIG. 7 is a top plan view thereof; and,

FIG. 8 is a bottom plan view thereof.

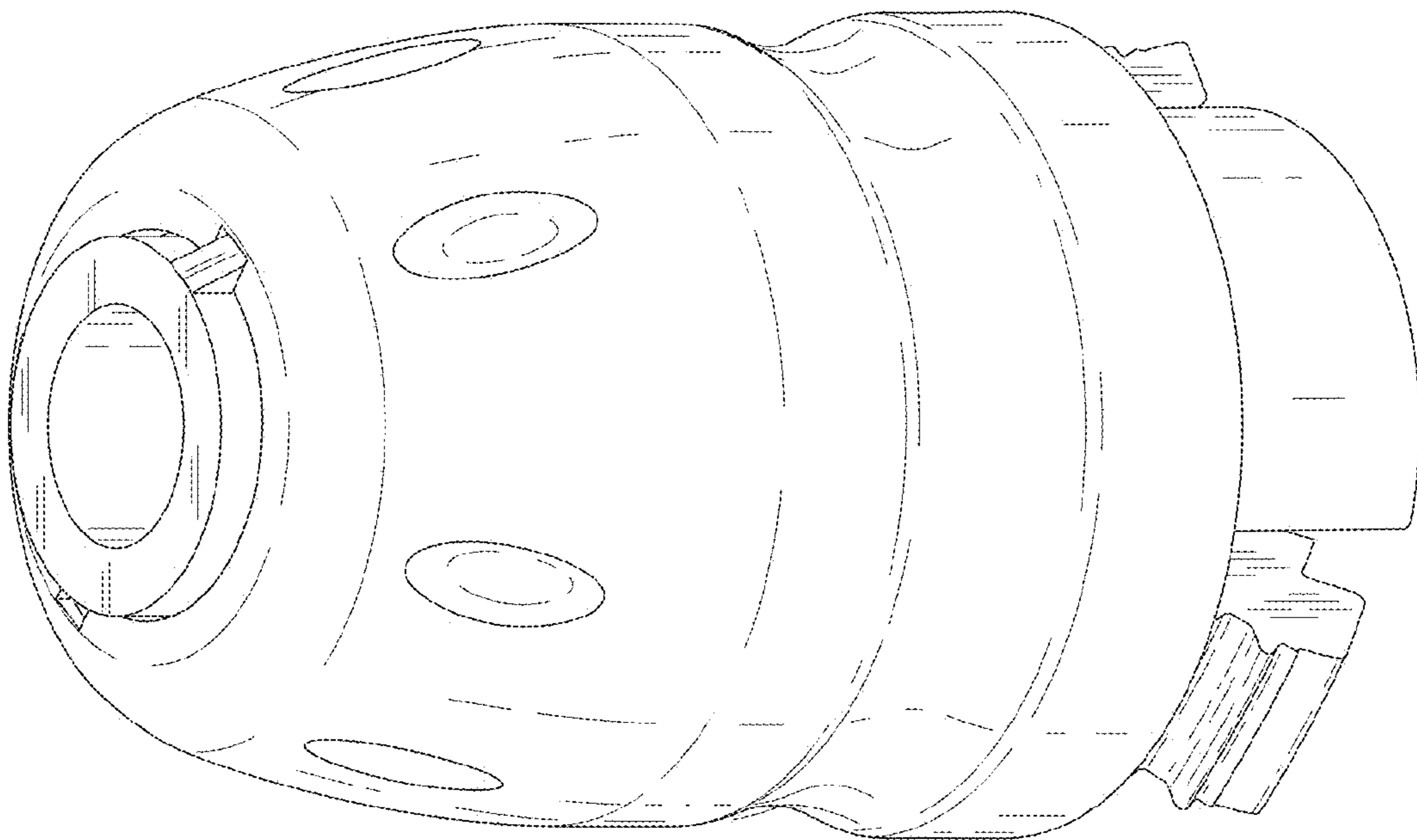
The dashed broken lines depict portions of a locking connector that form no part of the claim.

**1 Claim, 4 Drawing Sheets**

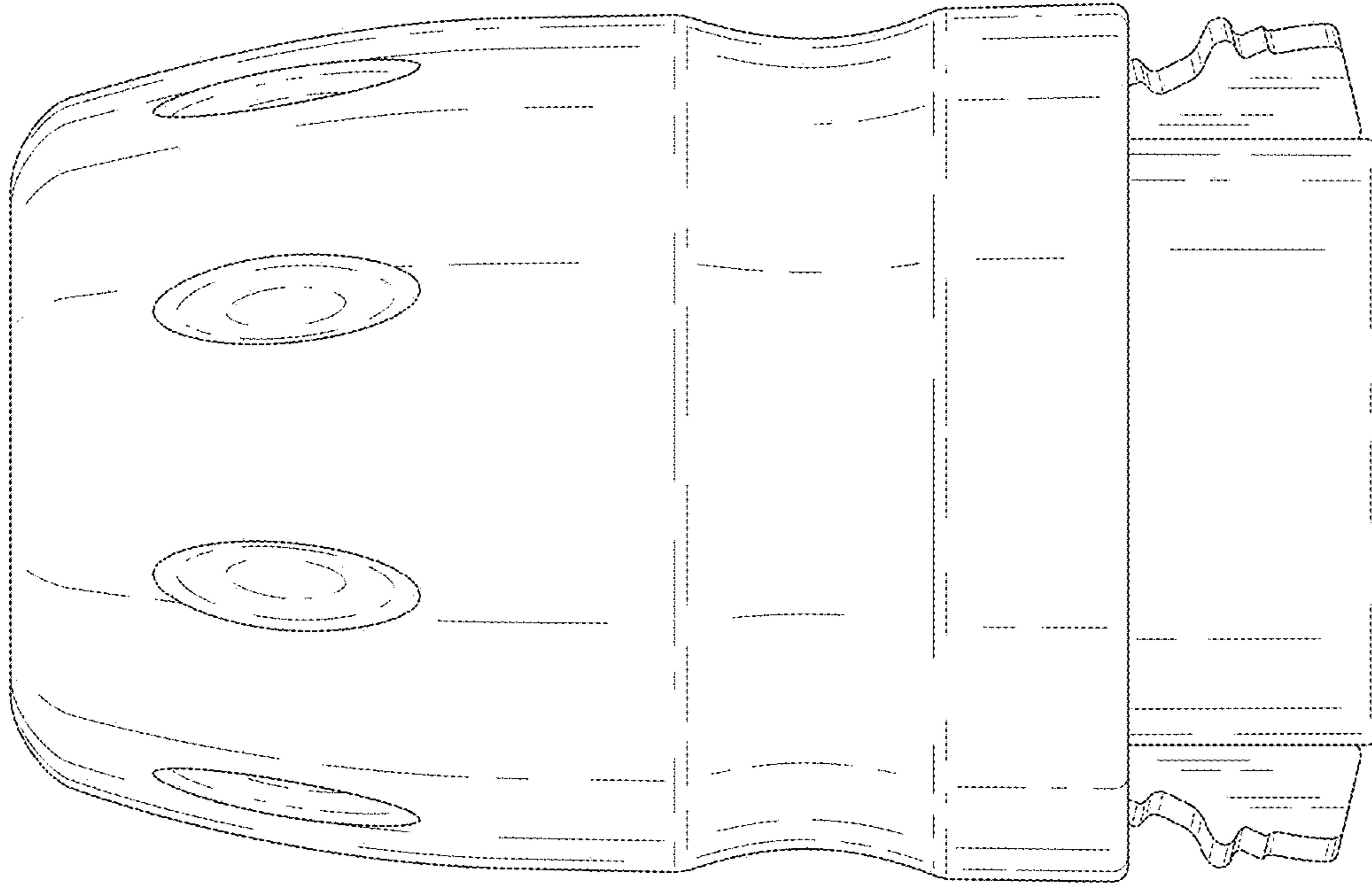




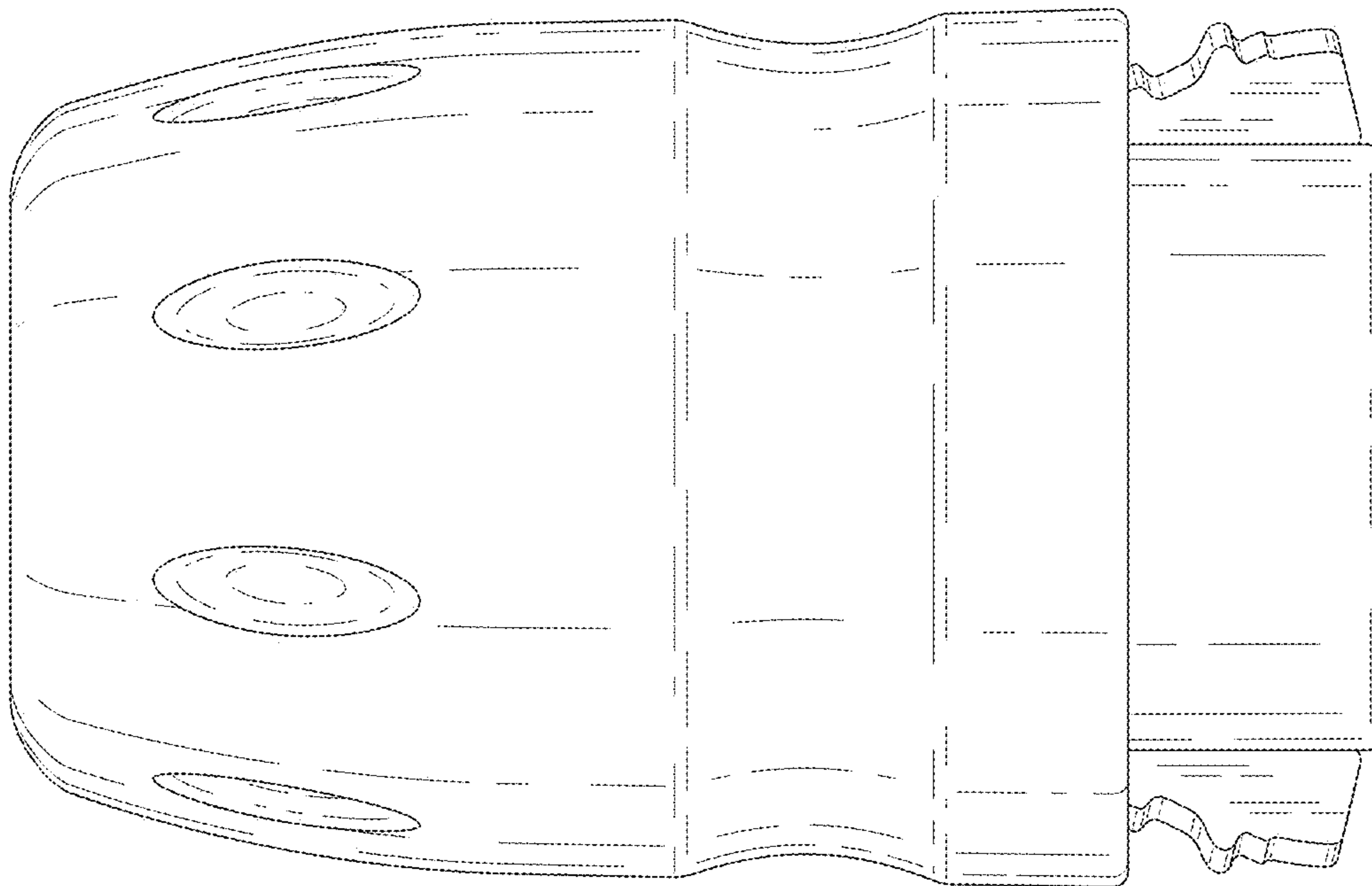
*Fig. 1*



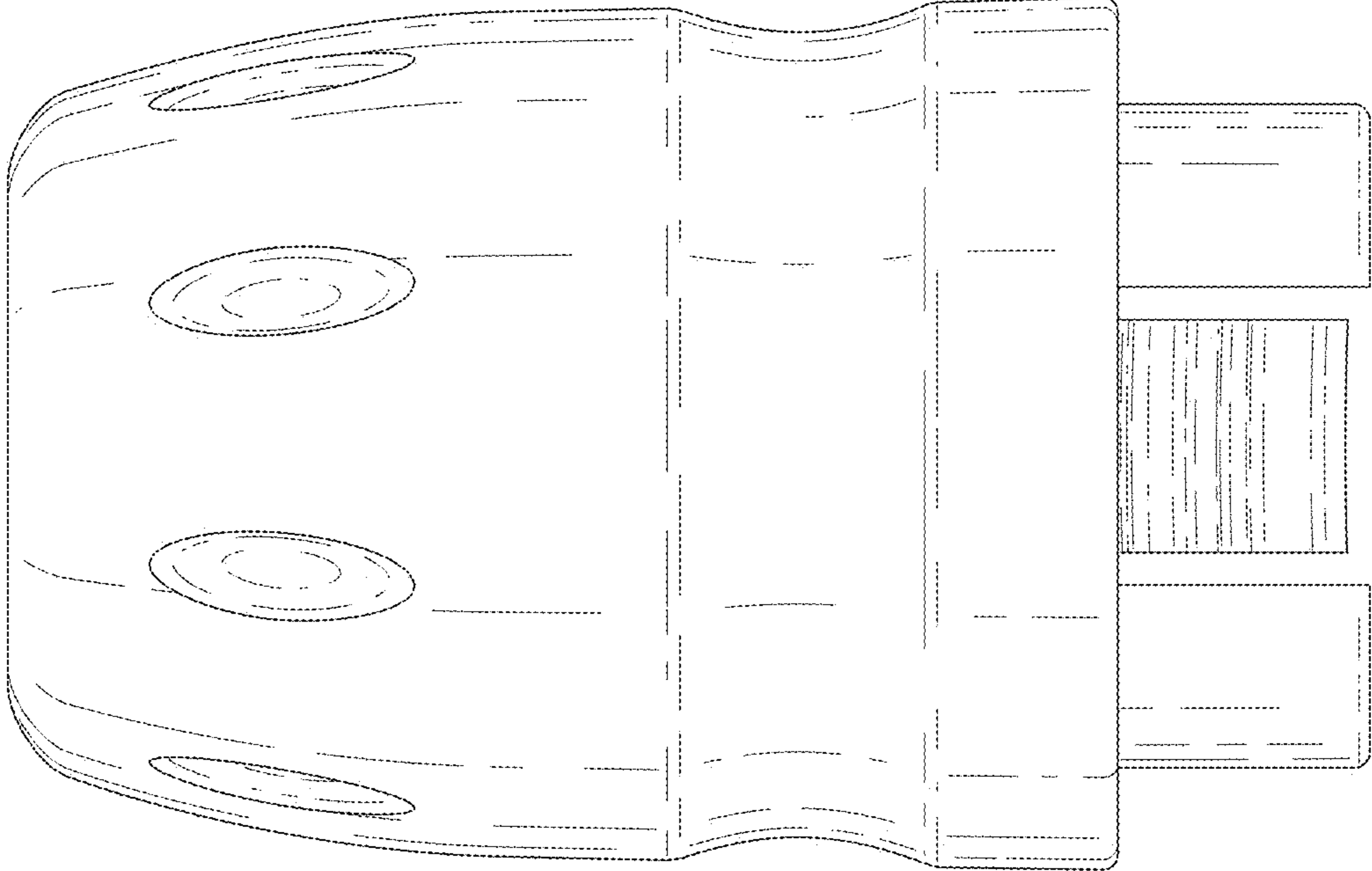
*Fig. 2*



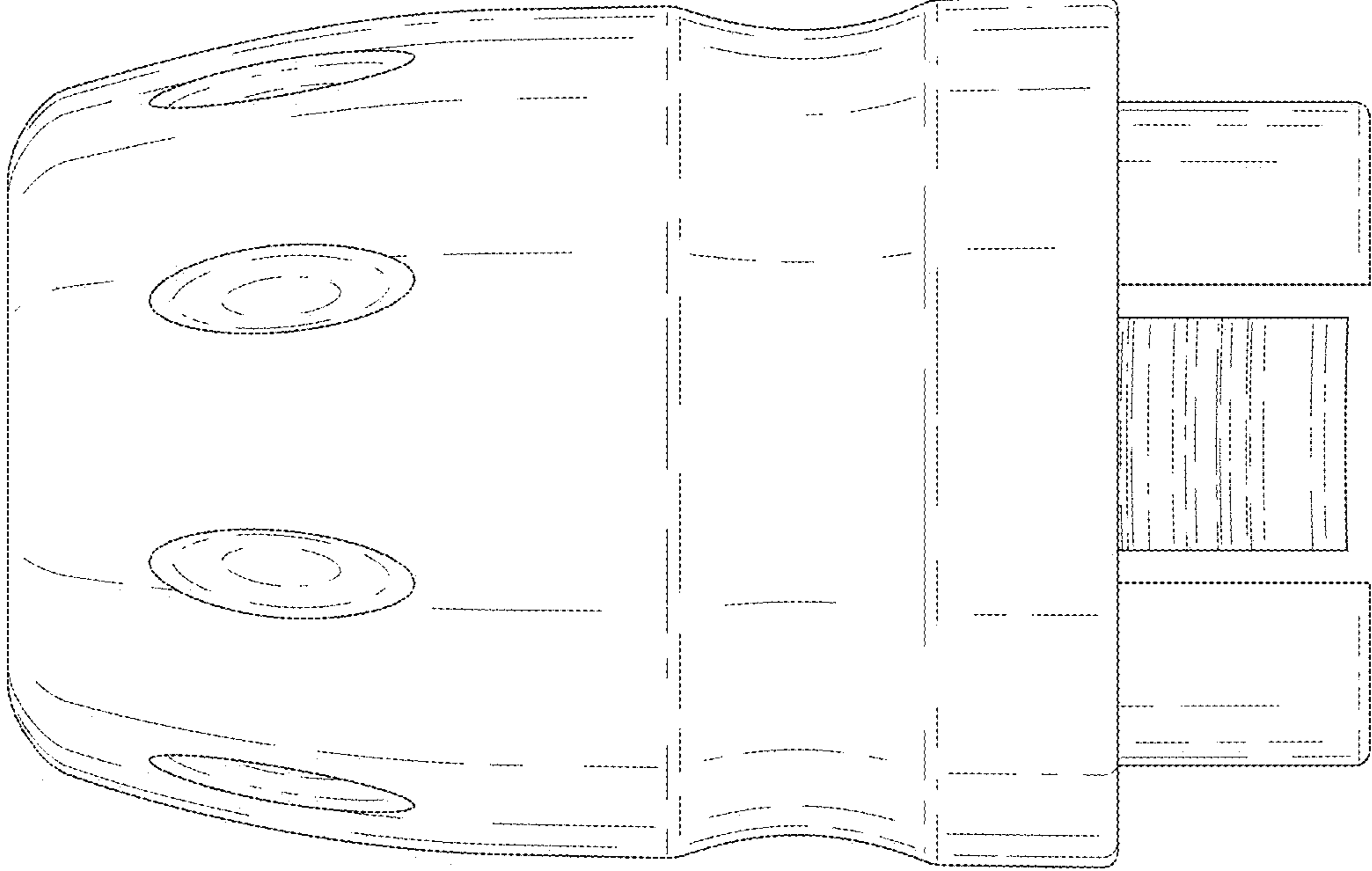
*Fig. 4*



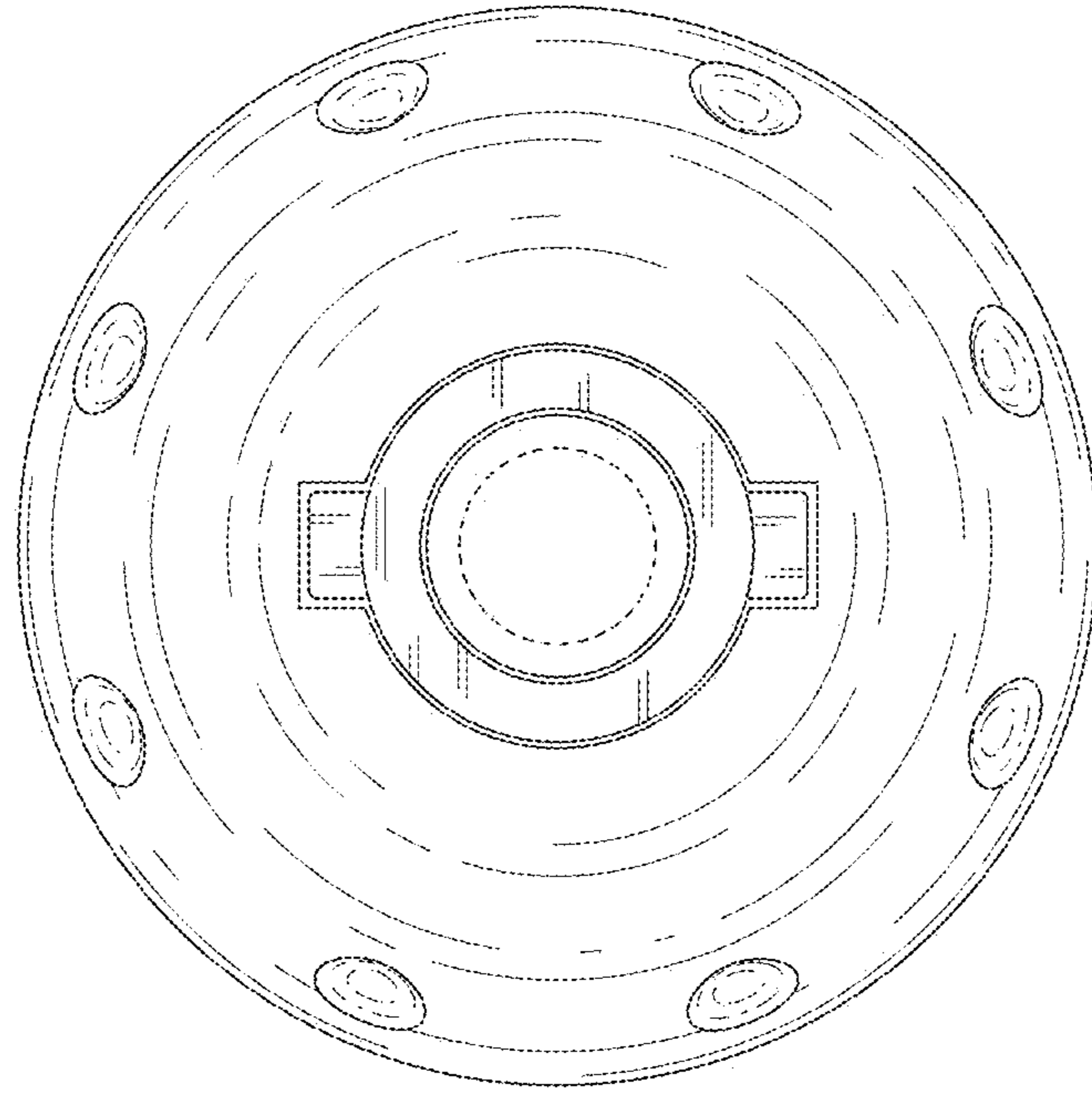
*Fig. 3*



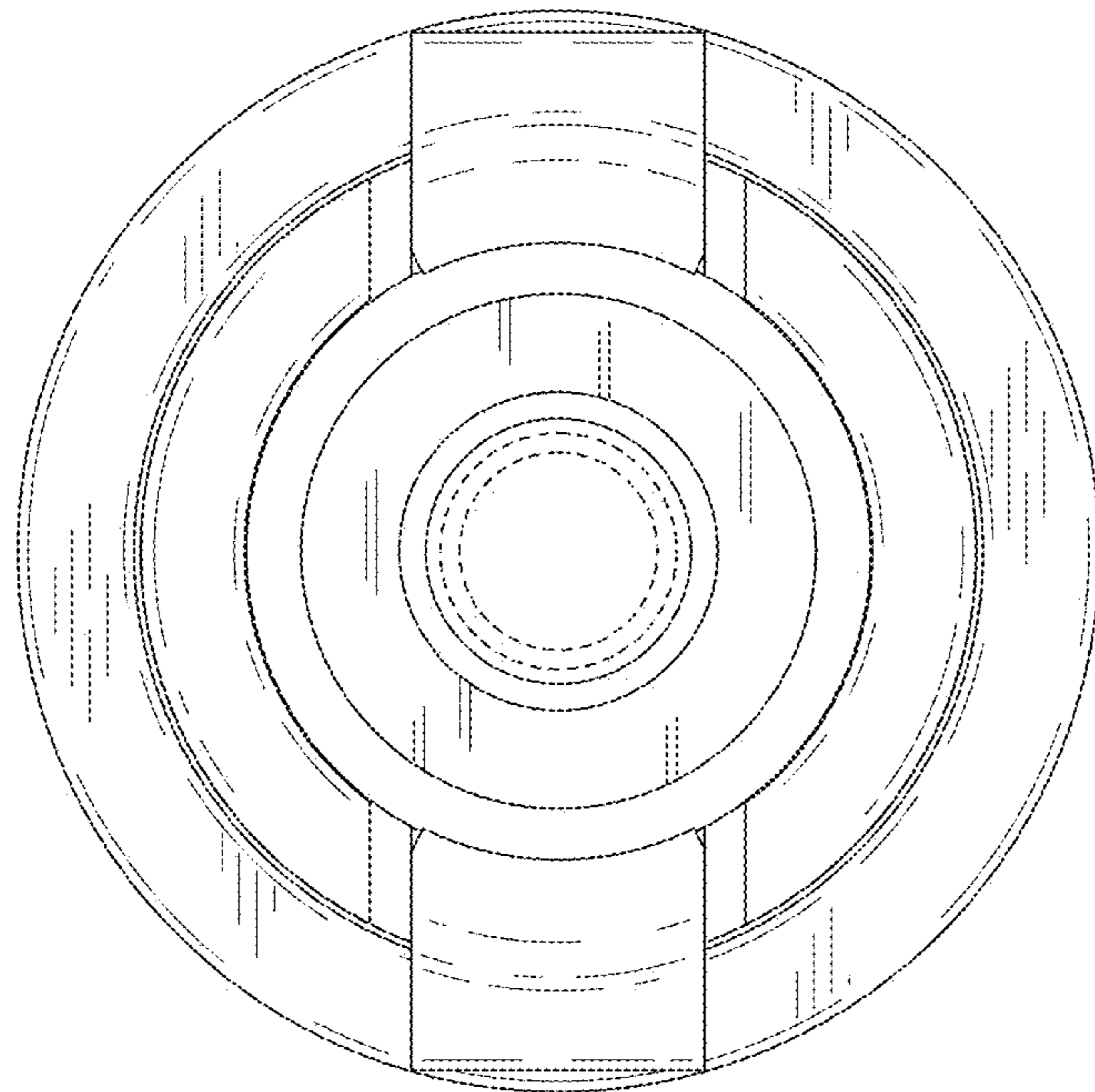
*Fig. 6*



*Fig. 5*



*Fig. 7*



*Fig. 8*