



US00D982137S

(12) **United States Design Patent**  
**Gunji et al.**

(10) **Patent No.:** **US D982,137 S**  
(45) **Date of Patent:** **\*\* Mar. 28, 2023**

(54) **FLOW CONTROLLER**

FOREIGN PATENT DOCUMENTS

(71) Applicant: **SMC CORPORATION**, Tokyo (JP)

JP 1227513 S 1/2005

(72) Inventors: **Ken Gunji**, Moriya (JP); **Toshinori Kurata**, Tsukubamirai (JP); **Katsuya Morozumi**, Tsukuba (JP)

\* cited by examiner

*Primary Examiner* — Gino Colan

(73) Assignee: **SMC CORPORATION**, Tokyo (JP)

(74) *Attorney, Agent, or Firm* — Birch, Stewart, Kolasch & Birch, LLP

(\*\*) Term: **15 Years**

(57) **CLAIM**

(21) Appl. No.: **29/745,374**

The ornamental design for a flow controller, as shown and described.

(22) Filed: **Aug. 5, 2020**

**DESCRIPTION**

(30) **Foreign Application Priority Data**

Feb. 20, 2020 (CN) ..... 202030055365.0

(51) **LOC (14) Cl.** ..... **23-01**

(52) **U.S. Cl.**  
USPC ..... **D23/235**

(58) **Field of Classification Search**

USPC ..... D23/233, 235, 200; D10/85  
CPC ..... F16K 31/007; F16K 37/0091; F16K 3/26;  
F16K 31/0675; F16K 31/06; F16K  
27/029

See application file for complete search history.

FIG. 1 is a front, top and left side perspective view of a flow controller showing a first embodiment of our new design; FIG. 2 is a rear, bottom and right side perspective view thereof;

FIG. 3 is a front view thereof;

FIG. 4 is a rear view thereof;

FIG. 5 is a top plan view thereof;

FIG. 6 is a bottom plan view thereof;

FIG. 7 is a left side view thereof;

FIG. 8 is a right side view thereof;

FIG. 9 is a front, top and left side perspective view of a flow controller showing a second embodiment of our new design;

FIG. 10 is a rear, bottom and right side perspective view of FIG. 9;

FIG. 11 is a front view of FIG. 9;

FIG. 12 is a rear view of FIG. 9;

FIG. 13 is a top plan view of FIG. 9;

FIG. 14 is a bottom plan view of FIG. 9;

FIG. 15 is a left side view of FIG. 9; and,

FIG. 16 is a right side view of FIG. 9.

The broken lines depict portions of the flow controller that form no part of the claimed design.

(56) **References Cited**

U.S. PATENT DOCUMENTS

D601,225 S	9/2009	Kurisaki	
D603,016 S	* 10/2009	Matsumura	D23/233
D640,154 S	* 6/2011	Okitsu	D10/85
D755,929 S	5/2016	Kurisaki et al.	
D785,756 S	* 5/2017	Ueno	D23/235
D796,008 S	* 8/2017	Ueno	D23/233
D801,481 S	* 10/2017	Ueno	D23/235
D854,659 S	* 7/2019	Sakamoto	D23/235
D872,835 S	* 1/2020	Sakamoto	D23/235
D926,934 S	* 8/2021	Matsushita	D23/235

**1 Claim, 16 Drawing Sheets**

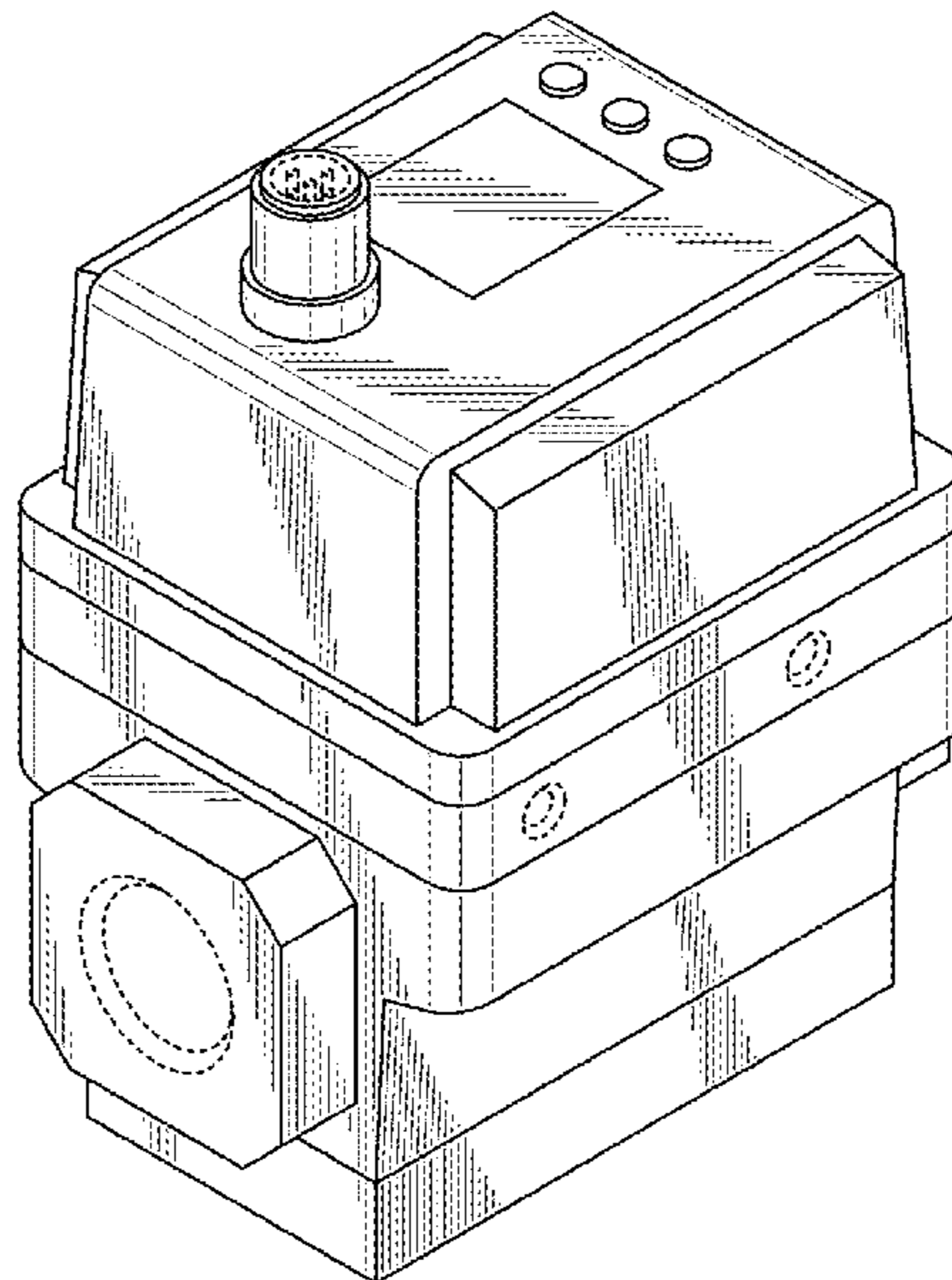


FIG. 1

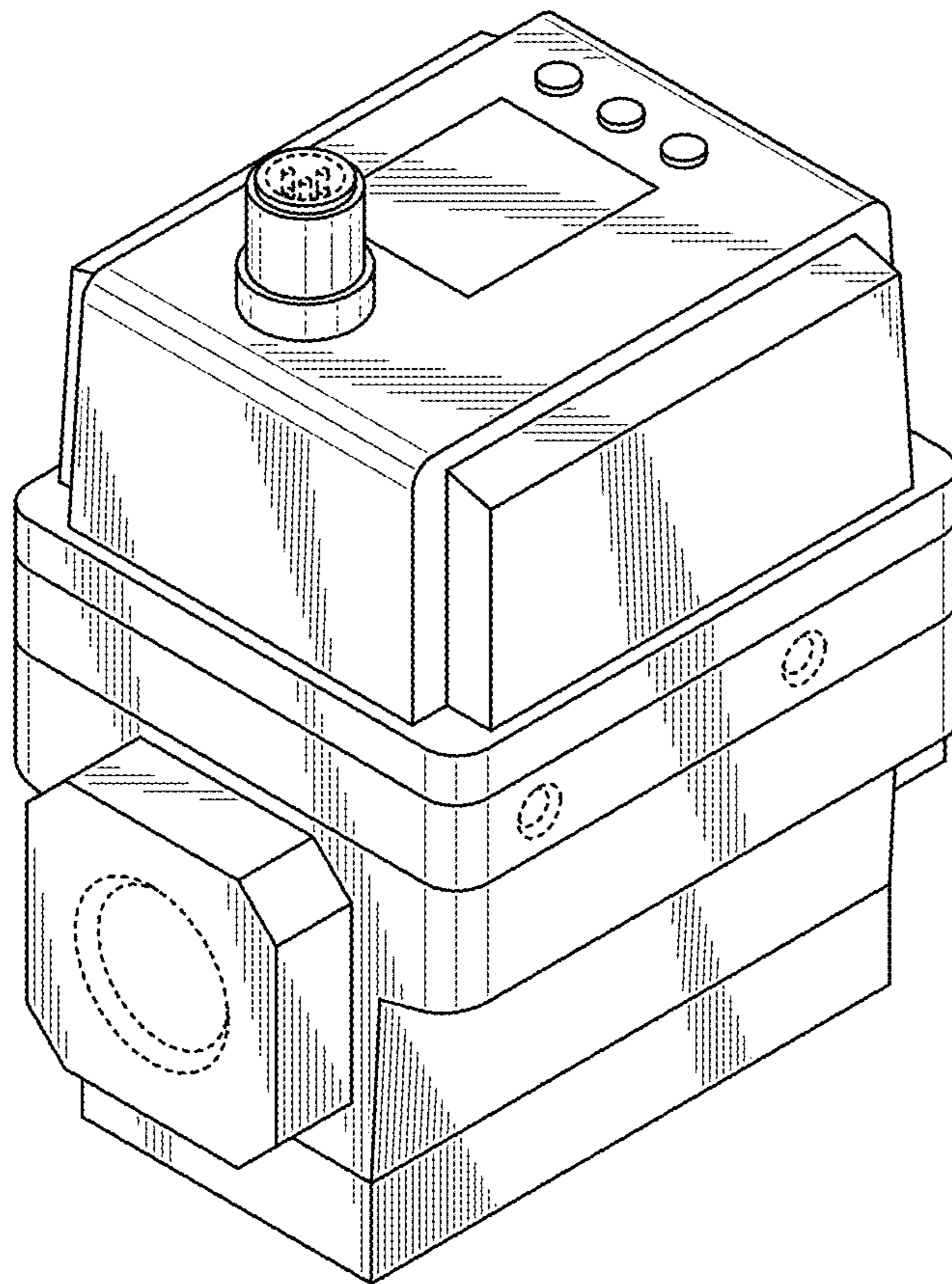


FIG. 2

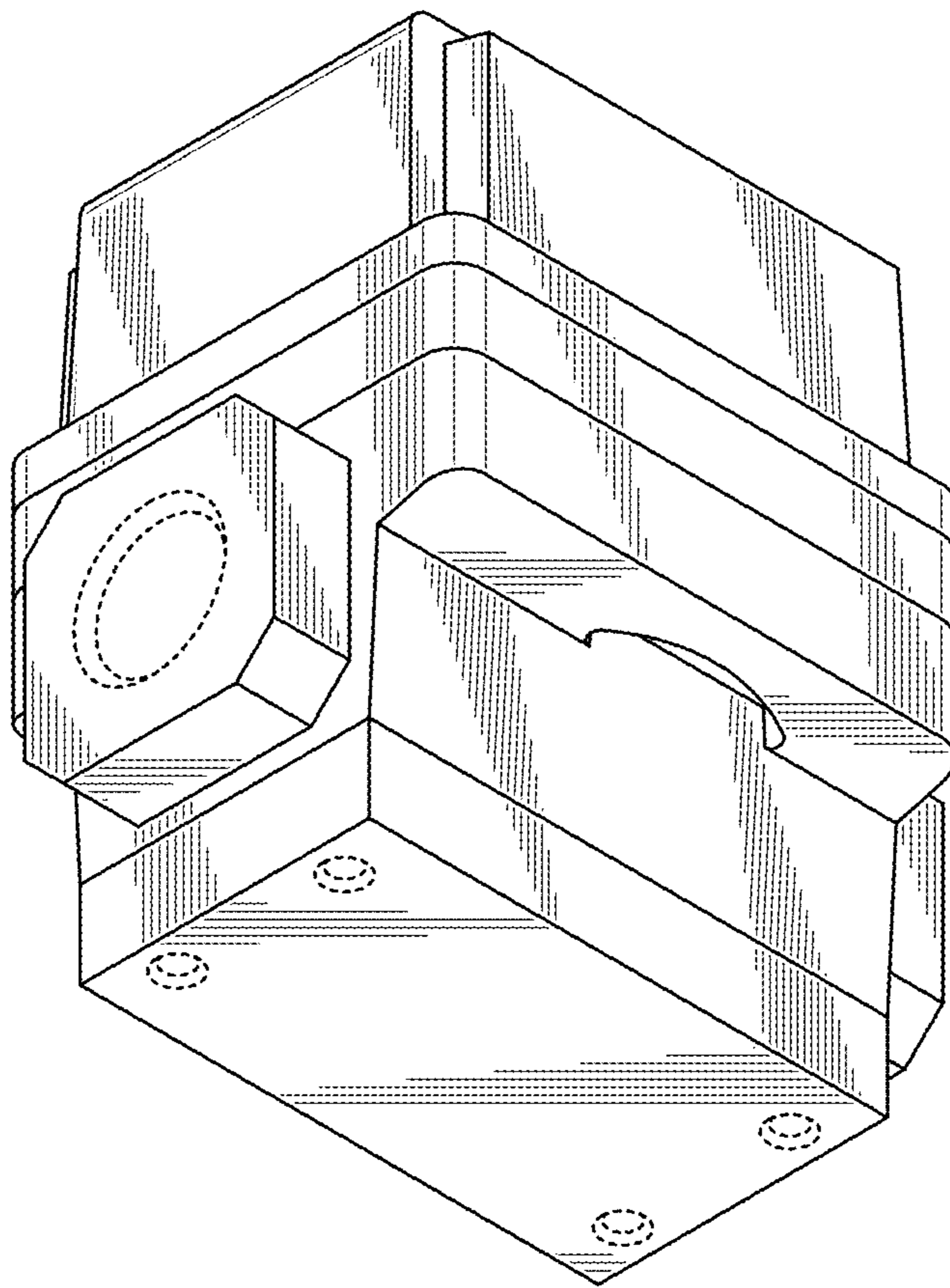


FIG. 3

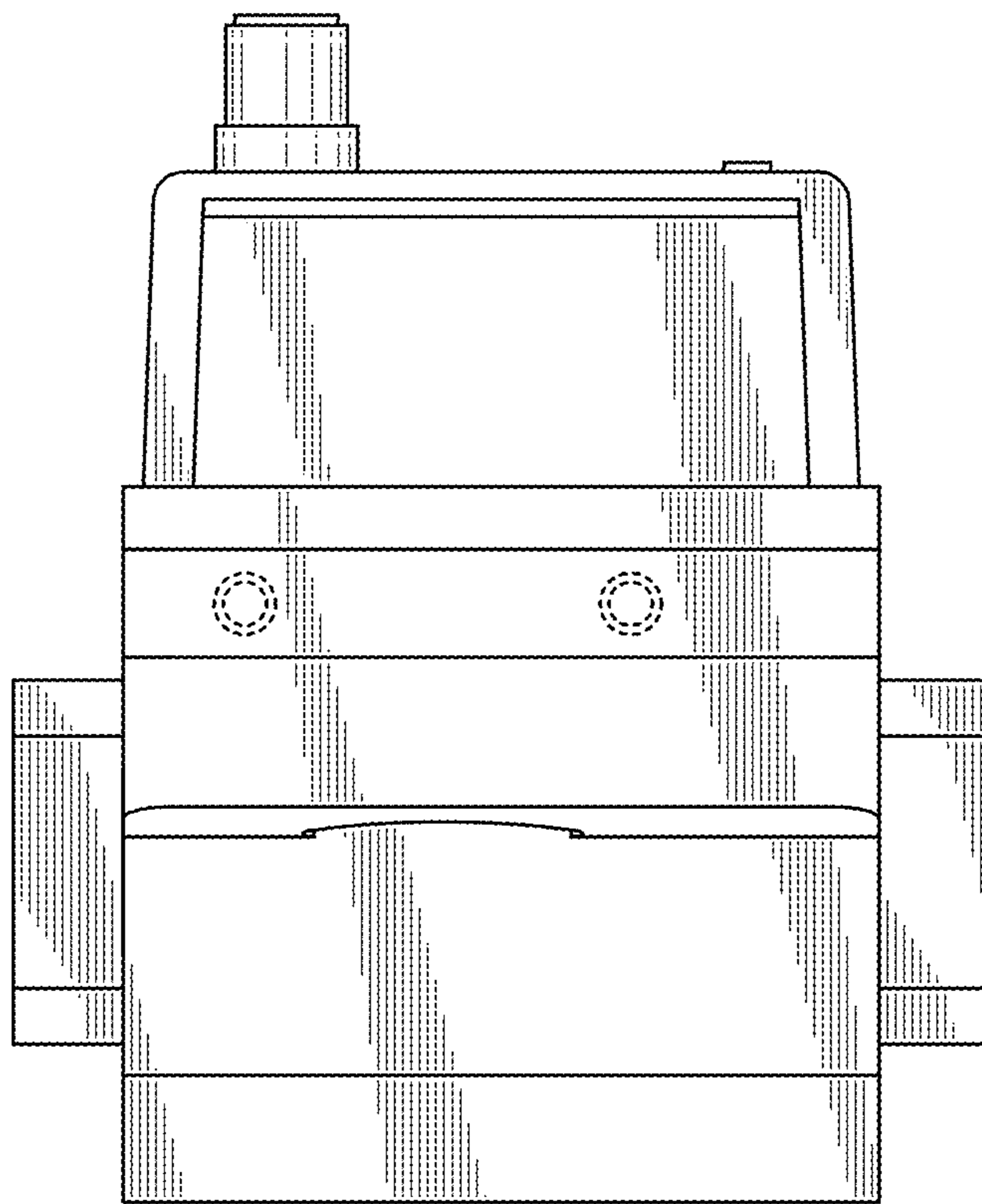


FIG. 4

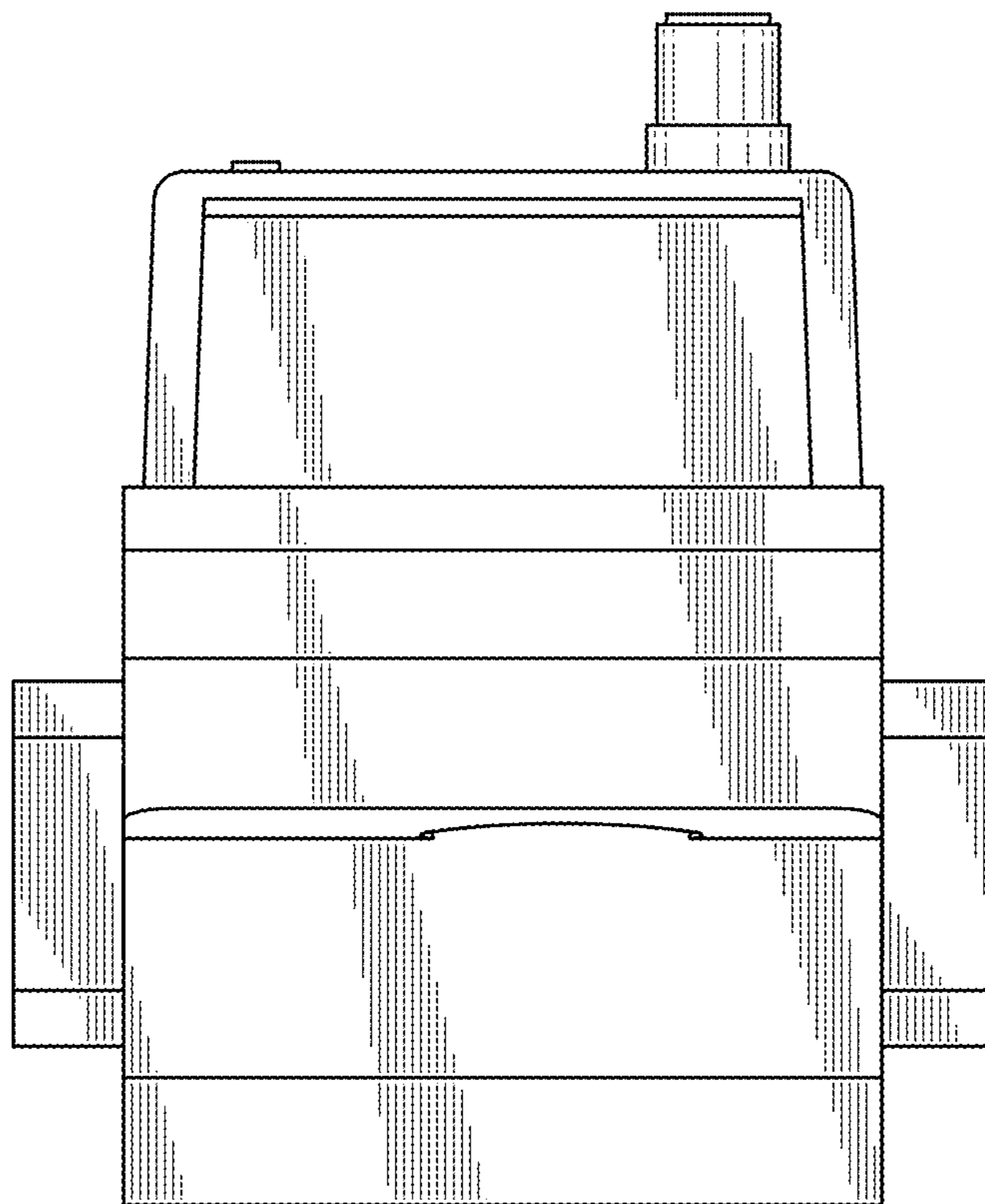


FIG. 5

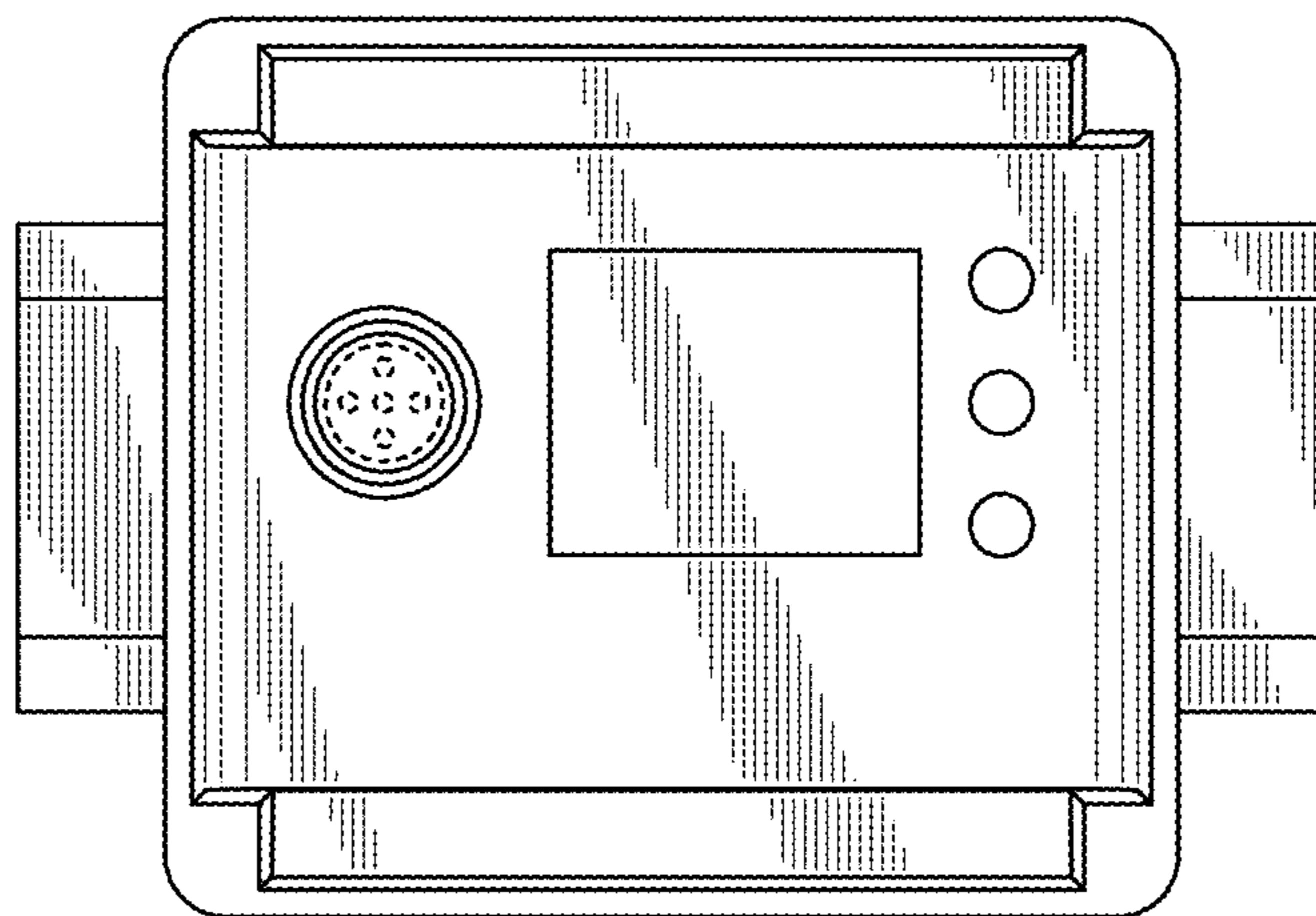


FIG. 6

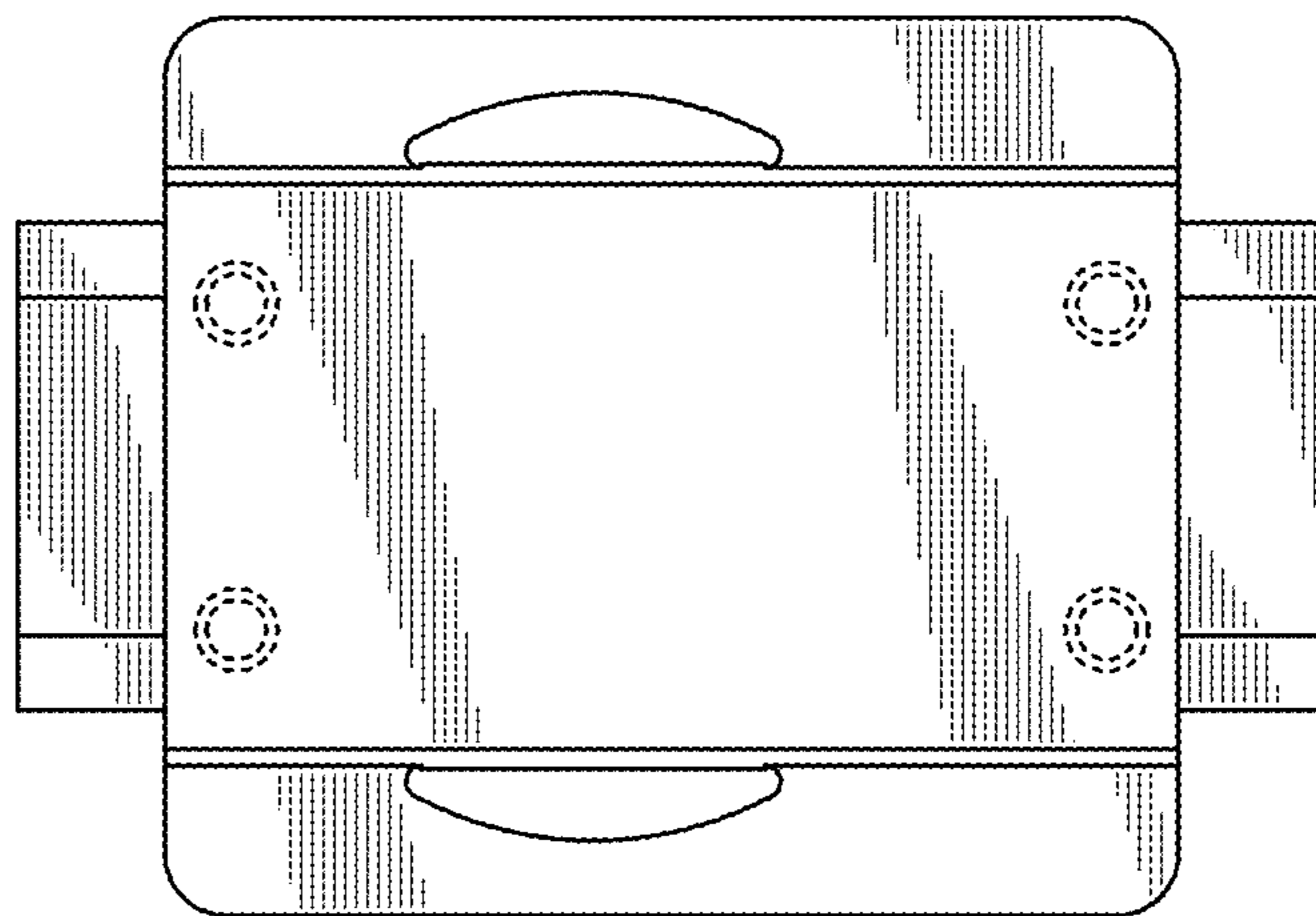


FIG. 7

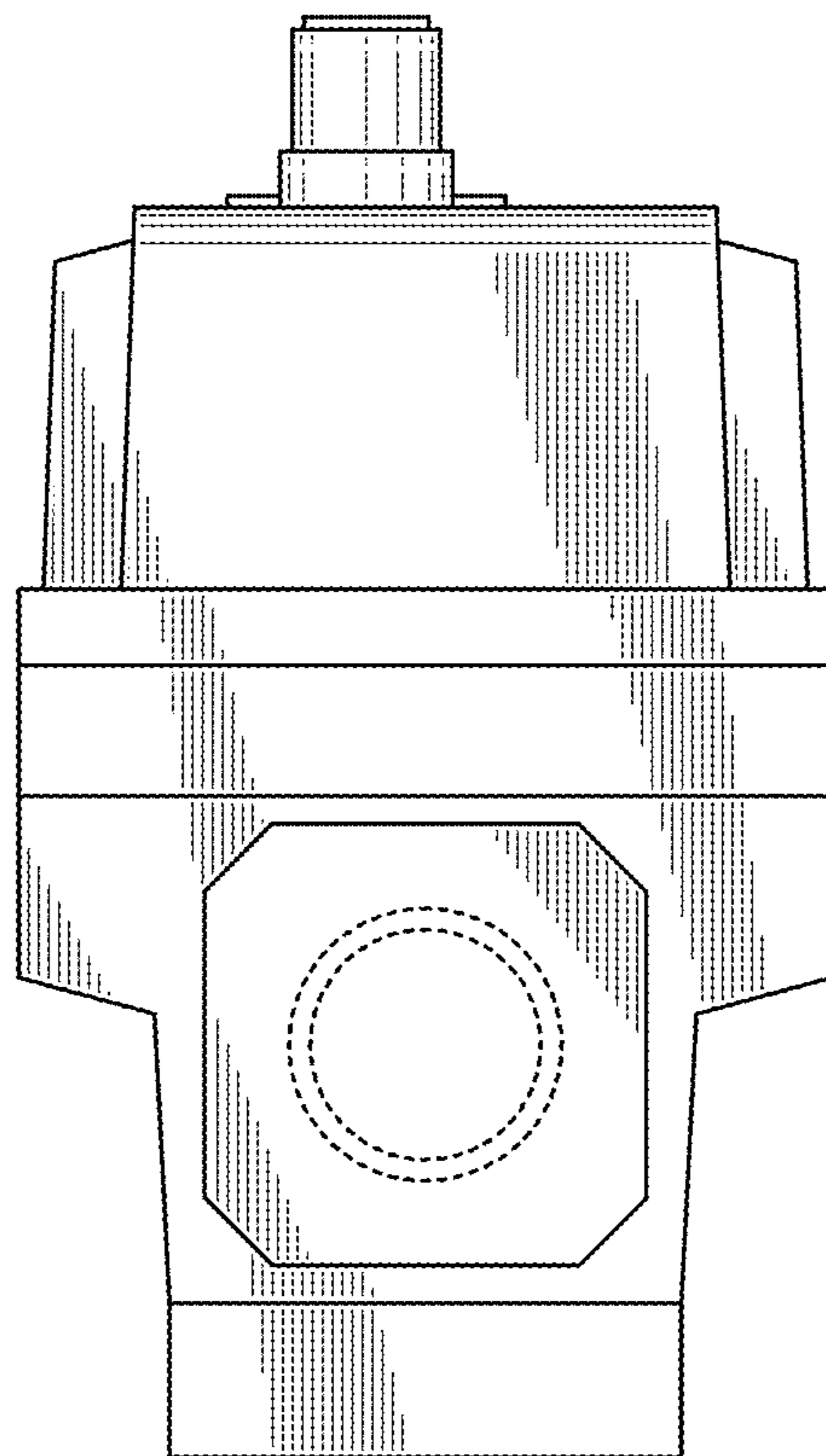




FIG. 8

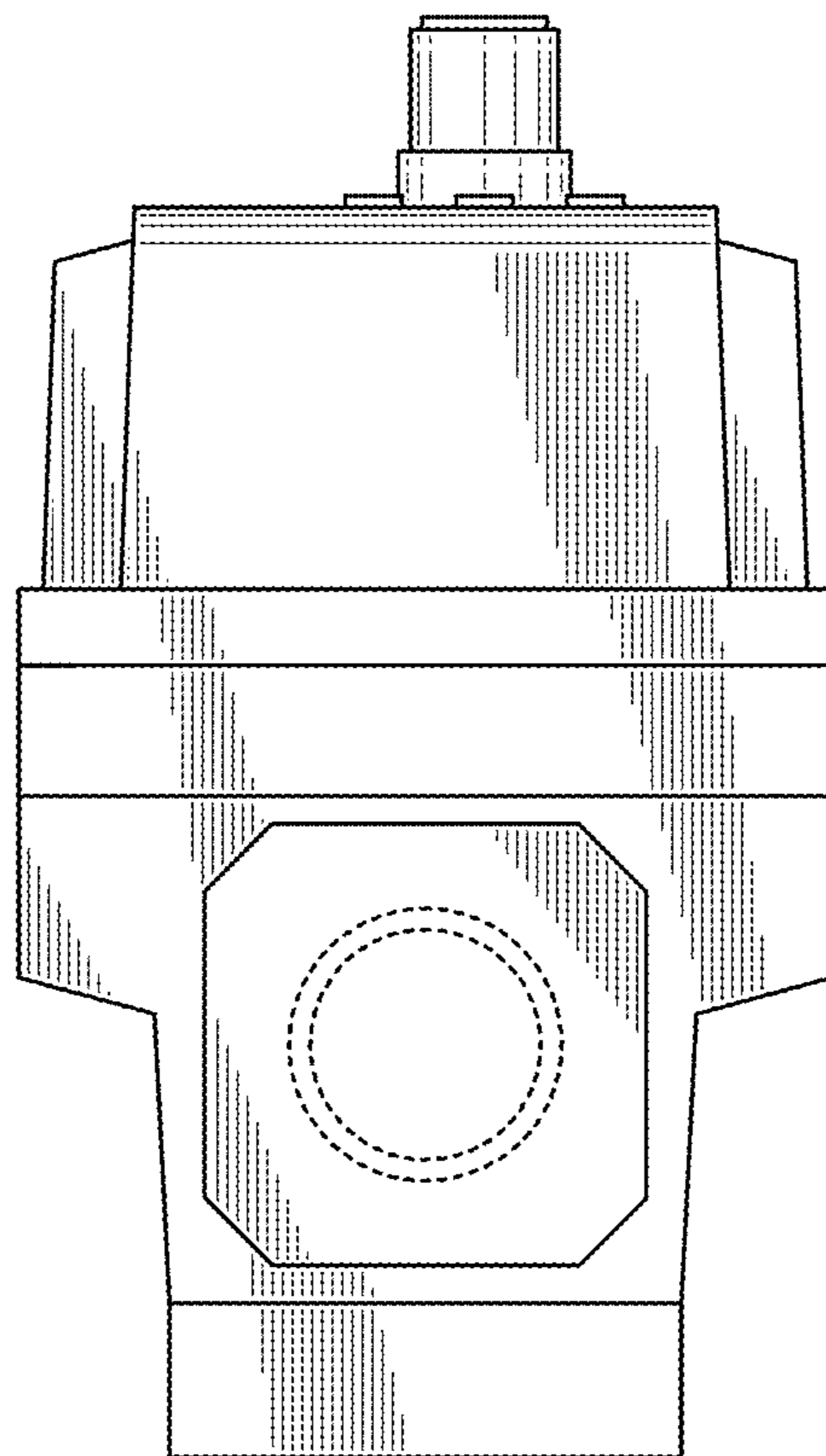


FIG. 9

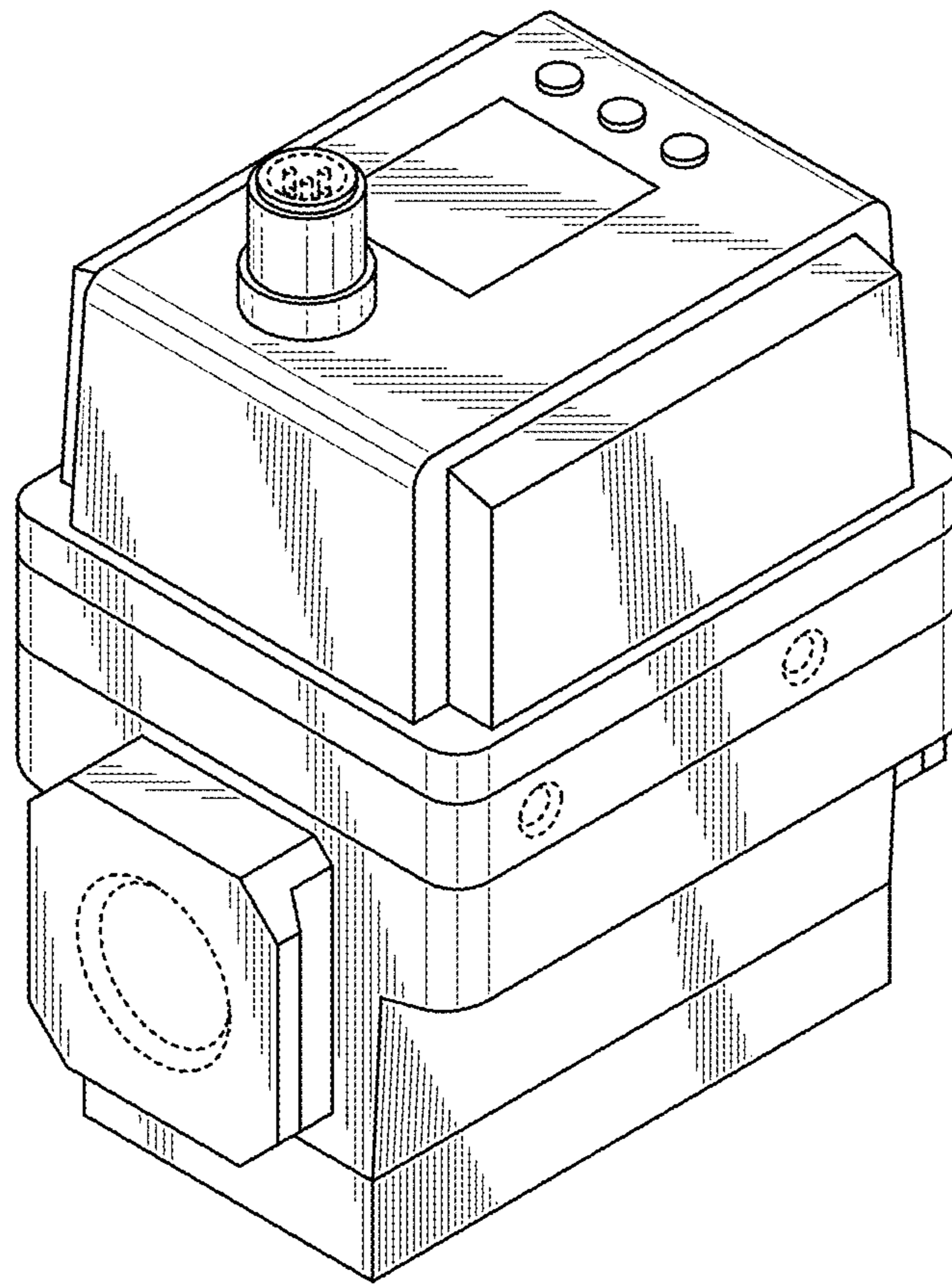


FIG. 10

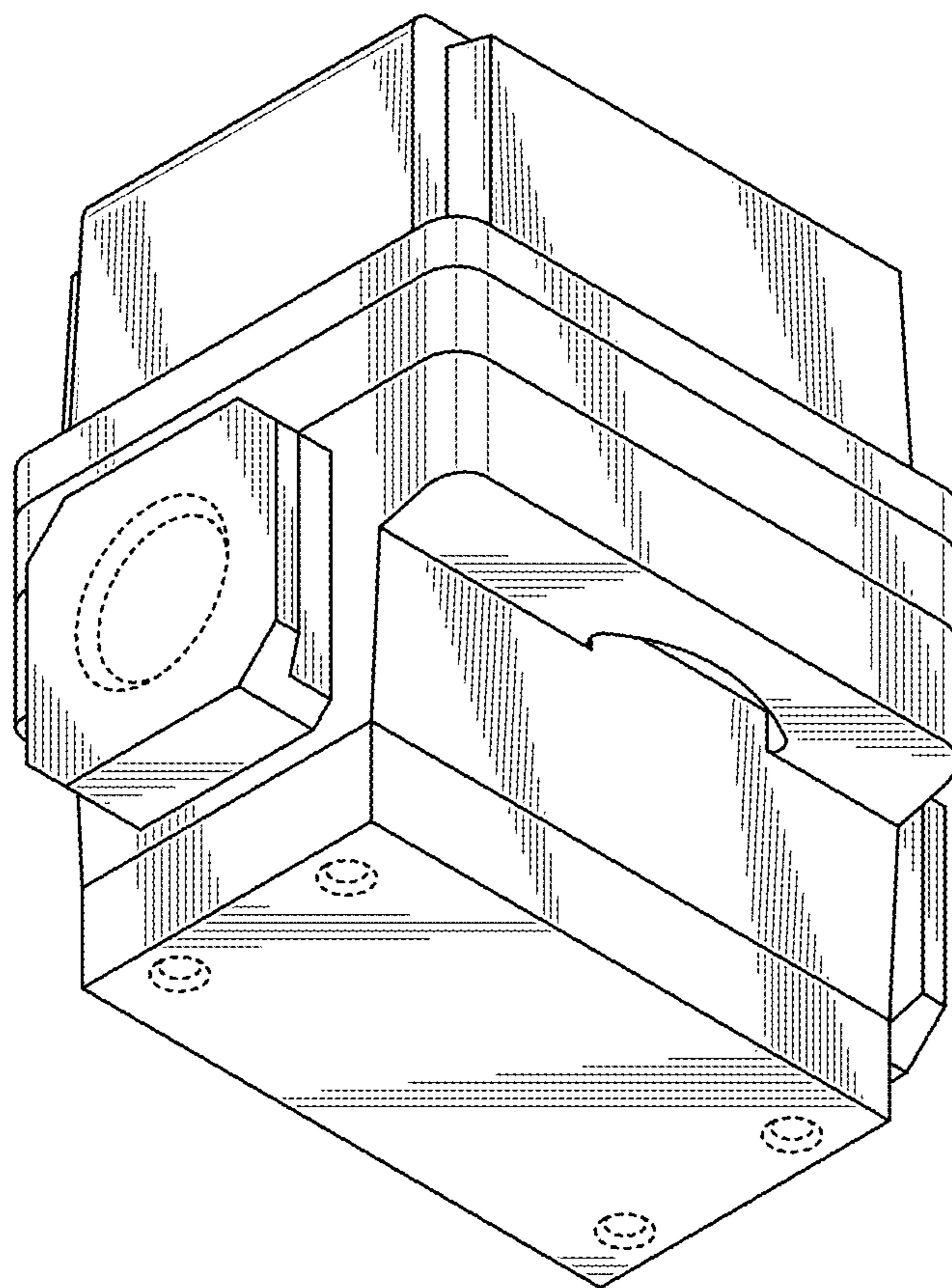


FIG. 11

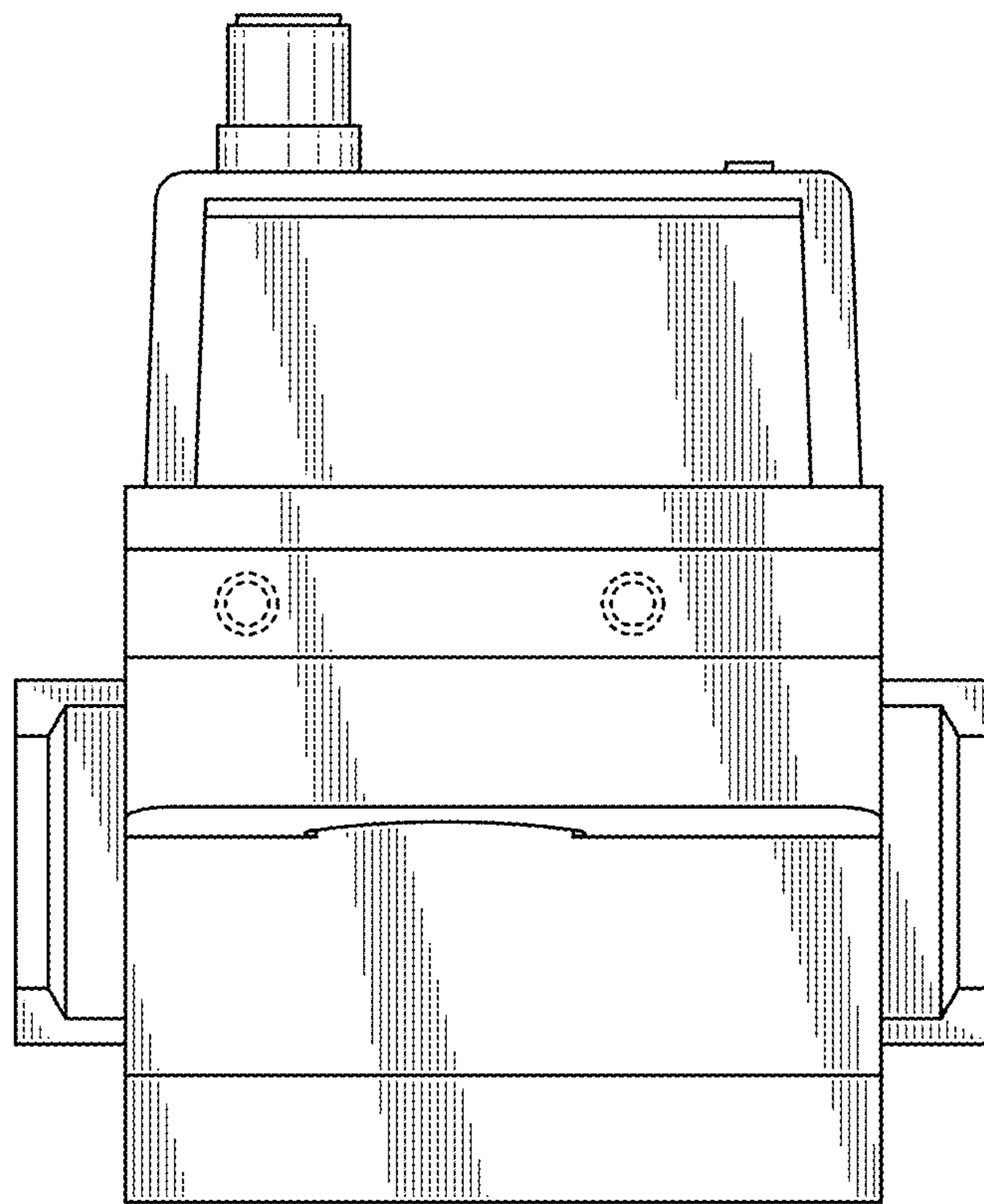


FIG. 12

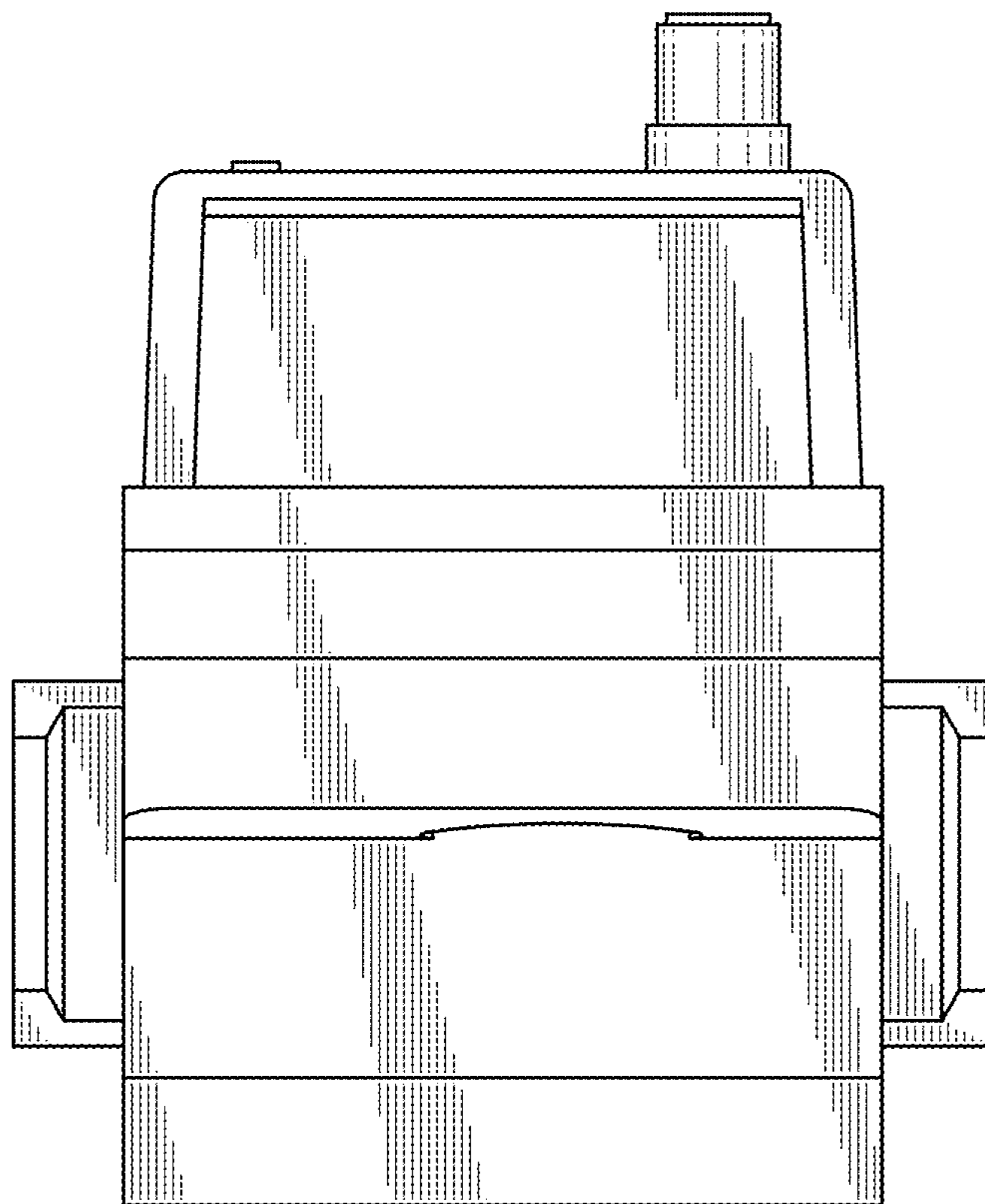


FIG. 13

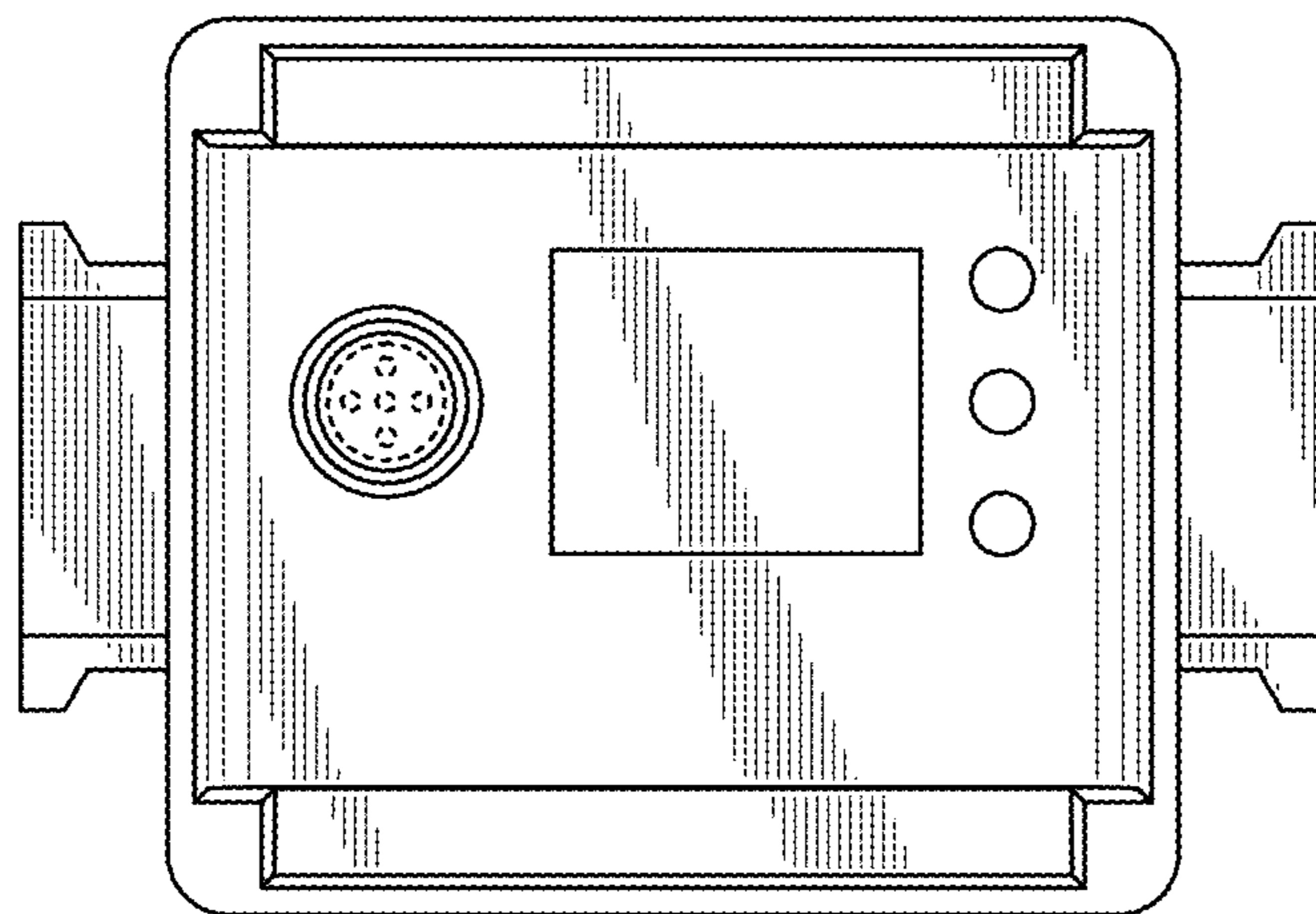


FIG. 14

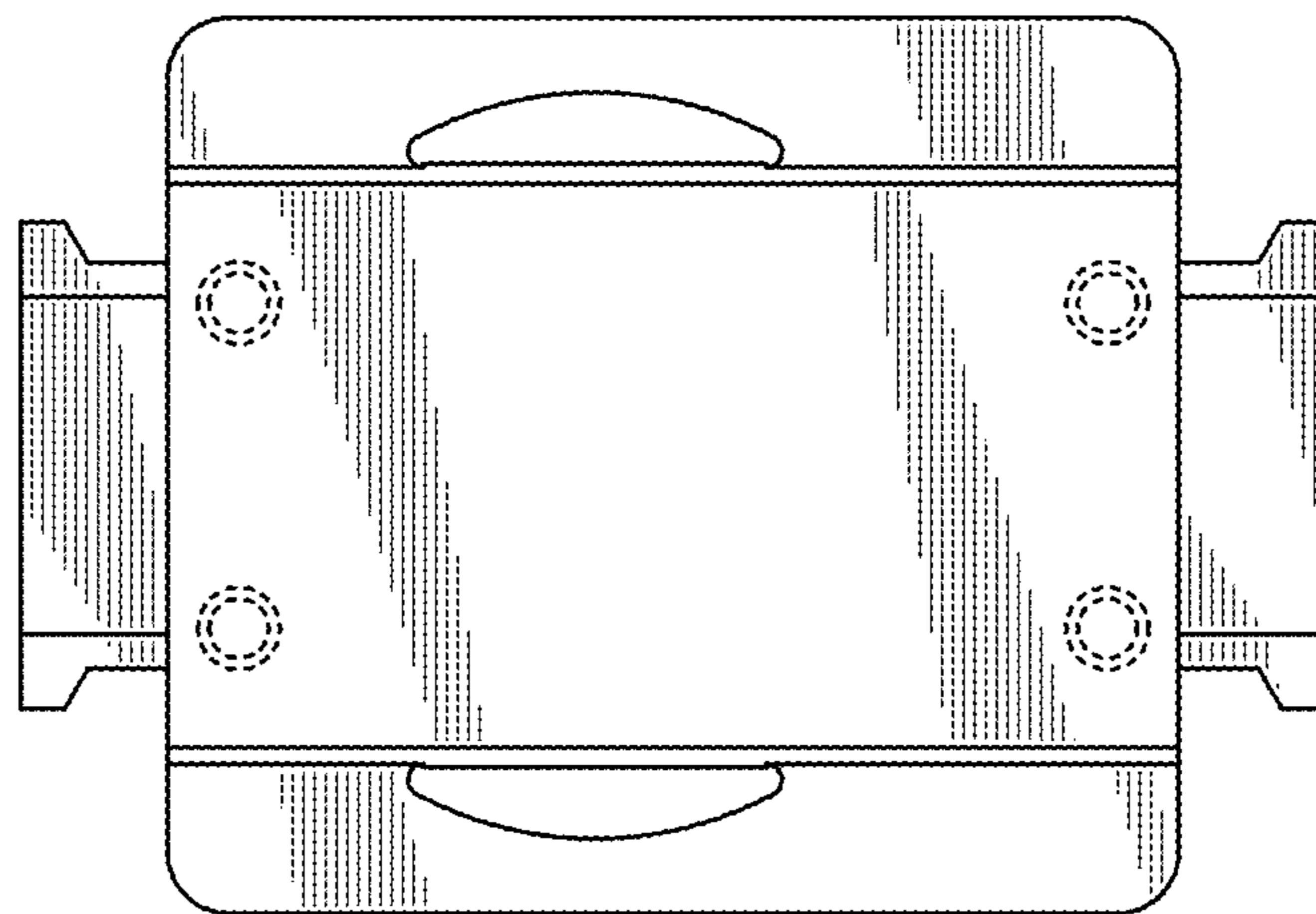


FIG. 15

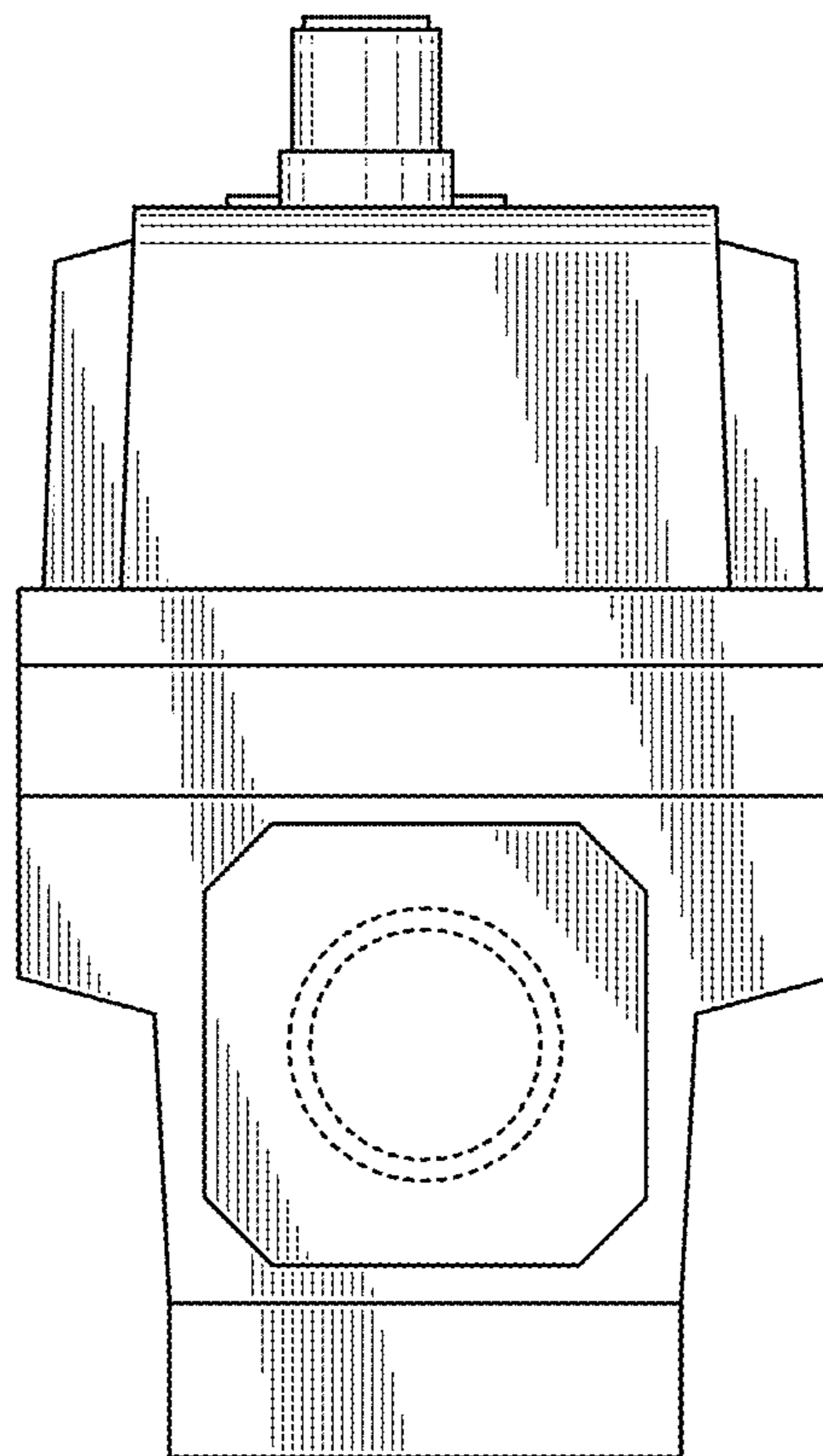




FIG. 16

