



US00D982136S

(12) **United States Design Patent** (10) **Patent No.:** **US D982,136 S**  
**Para** (45) **Date of Patent:** **\*\* Mar. 28, 2023**

(54) **FAUCET SPRAYHEAD**  
(71) Applicant: **DELTA FAUCET COMPANY**,  
Indianapolis, IN (US)  
(72) Inventor: **Lauren Para**, Lisle, IL (US)  
(73) Assignee: **DELTA FAUCET COMPANY**,  
Indianapolis, IN (US)  
(\*\*) Term: **15 Years**  
(21) Appl. No.: **29/777,621**  
(22) Filed: **Apr. 7, 2021**  
(51) **LOC (14) Cl.** ..... **23-01**  
(52) **U.S. Cl.**  
USPC ..... **D23/226**  
(58) **Field of Classification Search**  
USPC ..... D23/213, 214, 223, 224, 225, 226, 227,  
D23/228, 229, 230, 238, 239, 240, 241,  
D23/242, 249, 250, 255, 257  
CPC ..... B05B 1/16; B05B 1/1618; B05B 1/18;  
B05B 1/185; B05B 15/62; B05B 15/652;  
F16K 31/60; E03C 1/0404  
See application file for complete search history.

(56) **References Cited**

**U.S. PATENT DOCUMENTS**

D754,294 S \* 4/2016 Garland ..... D23/238  
D867,522 S \* 11/2019 Tentler ..... D23/213  
D867,524 S \* 11/2019 Tentler ..... D23/213  
D867,525 S \* 11/2019 Eads ..... D23/213  
D870,235 S \* 12/2019 Tentler ..... D23/213  
D871,548 S \* 12/2019 Tentler ..... D23/238  
D881,341 S \* 4/2020 Garland ..... D23/213  
D889,600 S \* 7/2020 Zhang ..... D23/213  
D913,436 S \* 3/2021 Zhu ..... D23/238  
D939,048 S \* 12/2021 Fritz ..... D23/226  
D939,050 S \* 12/2021 Stoler ..... D23/226  
D946,112 S \* 3/2022 Elser ..... D23/213  
D946,115 S \* 3/2022 Stoler ..... D23/226  
D947,321 S \* 3/2022 Stoler ..... D23/226  
D948,668 S \* 4/2022 Garland ..... D23/238

D953,493 S \* 5/2022 Elser ..... D23/238  
D954,197 S \* 6/2022 Fritz ..... D23/238  
D956,182 S \* 6/2022 Abramson ..... D23/238

**FOREIGN PATENT DOCUMENTS**

CA 200734 \* 5/2022

**OTHER PUBLICATIONS**

Delta Faucet Spargo Brushed Nickel Kitchen Faucet, available in Amazon.com, date first available Apr. 6, 2017 [online], [site visited Sep. 7, 2022], Available from the internet URL: <https://www.amazon.com/Delta-Spargo-19964Z-SPSD-DST-Kitchen-Faucet/dp/B078X5T7B2?th=1> (Year: 2017).  
Angle Simple Store Brand Pull Down Faucet Spray Head; First Available Aug. 26, 2018; Visited Online Sep. 23, 2022; [https://www.amazon.com/Angle-Simple-Kitchen-Sprayer-Replacement/dp/B07GV5HC1F/ref=psdc\\_10425131011\\_t5\\_B081Q781W9](https://www.amazon.com/Angle-Simple-Kitchen-Sprayer-Replacement/dp/B07GV5HC1F/ref=psdc_10425131011_t5_B081Q781W9) (Year: 2018).\*

\* cited by examiner

*Primary Examiner* — Amy C Wierenga  
*Assistant Examiner* — Kathryn Elizabeth Zieno  
(74) *Attorney, Agent, or Firm* — Jeffrey L. Doyle

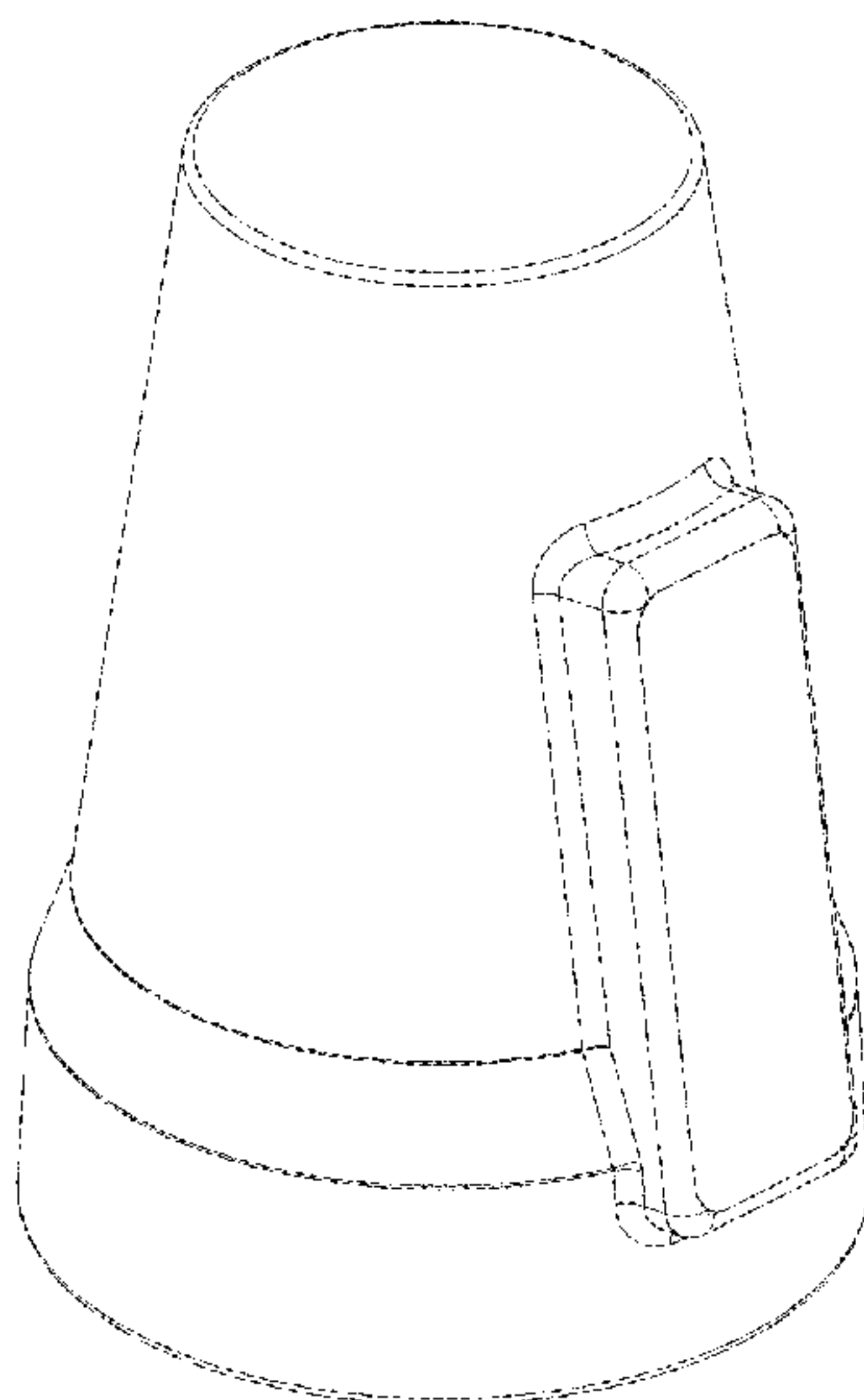
(57) **CLAIM**

The ornamental design for a faucet sprayhead, as shown and described.

**DESCRIPTION**

FIG. 1 is a rear perspective view of a faucet sprayhead showing my new design;  
FIG. 2 is a front perspective view thereof;  
FIG. 3 is a front elevational view thereof;  
FIG. 4 is a left side view thereof;  
FIG. 5 is rear elevational view thereof;  
FIG. 6 is a right side view thereof;  
FIG. 7 is a top plan view thereof; and,  
FIG. 8 is a bottom plan view thereof.

**1 Claim, 4 Drawing Sheets**



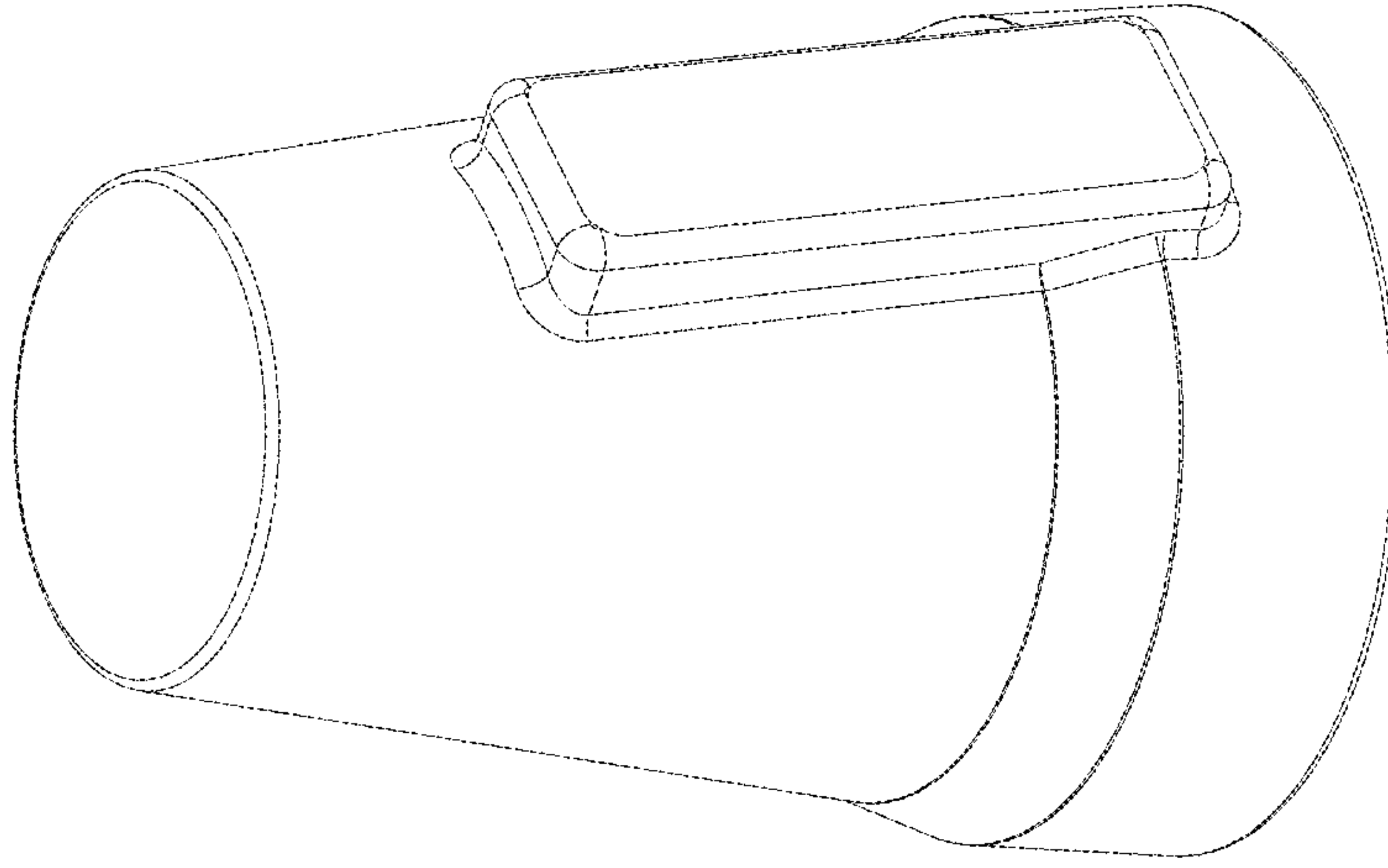


Fig. 2

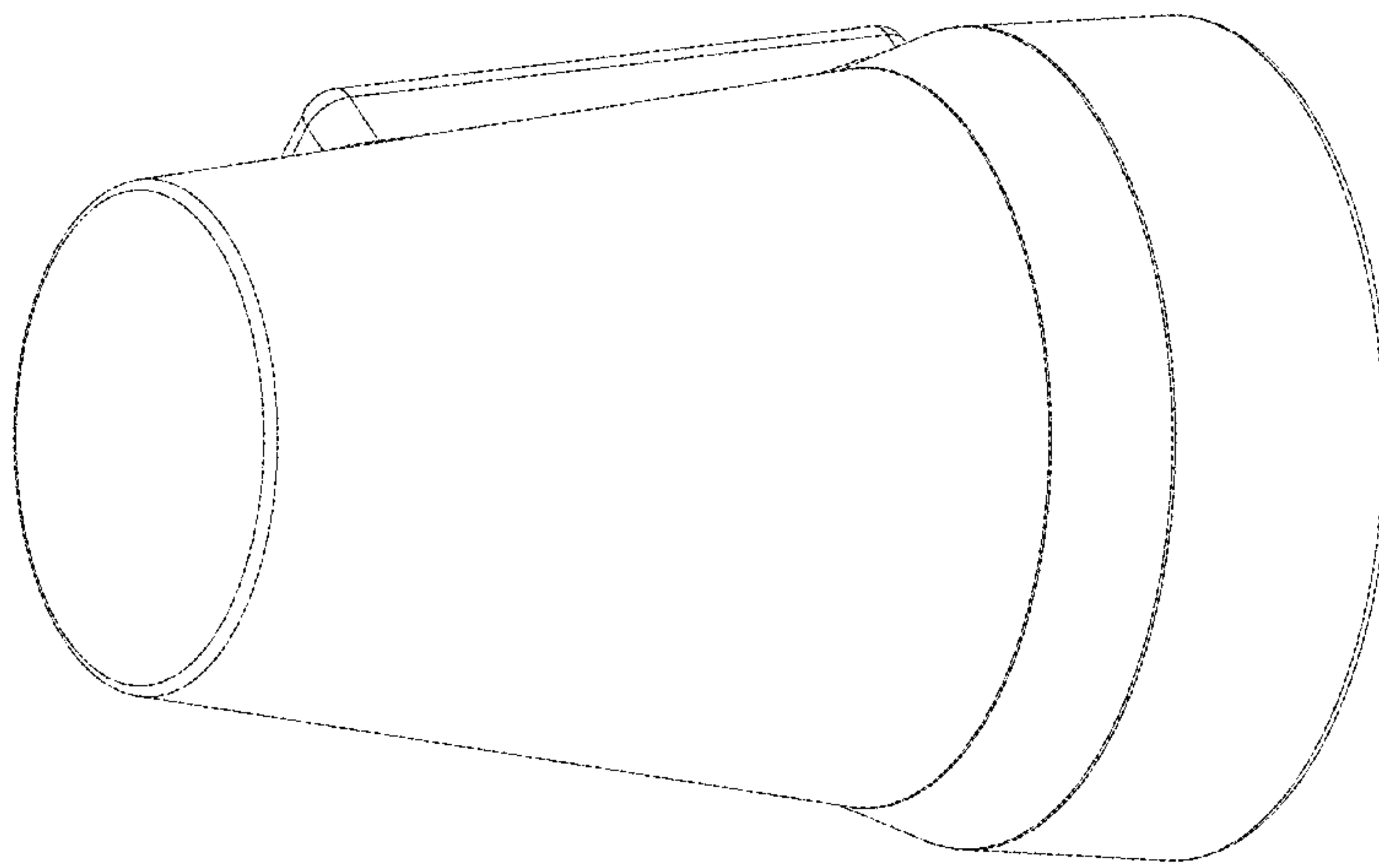


Fig. 1

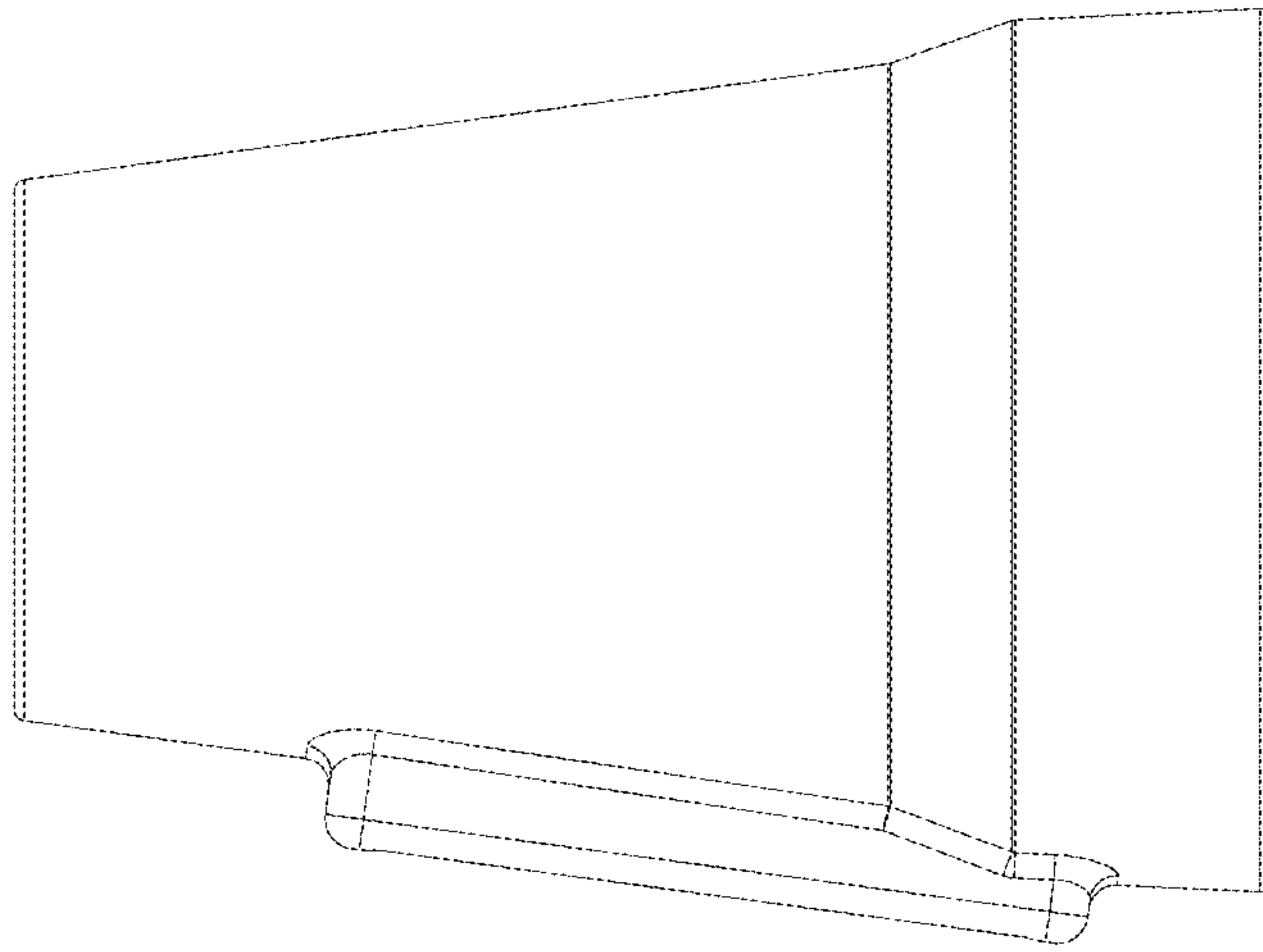


Fig. 4

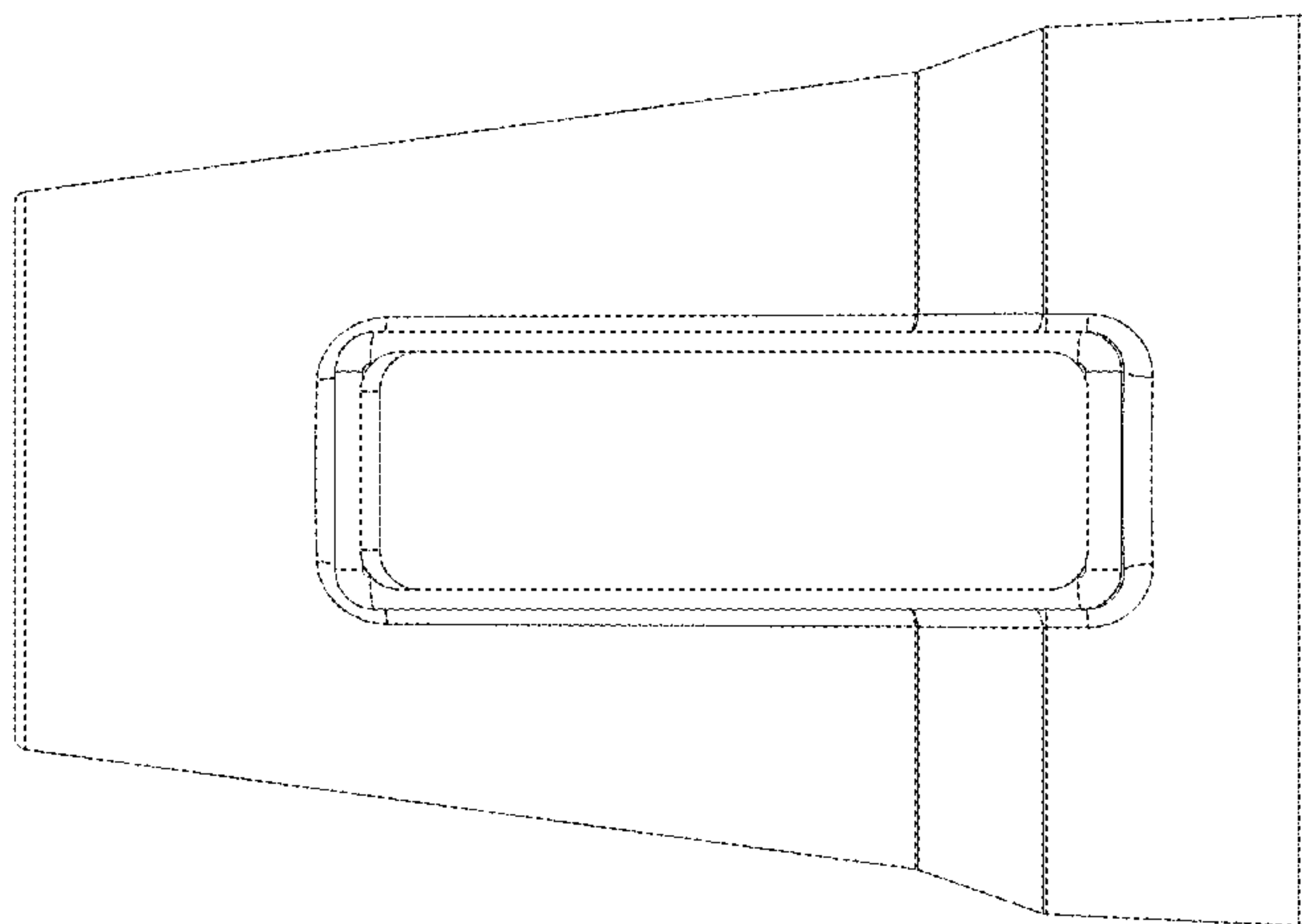


Fig. 3

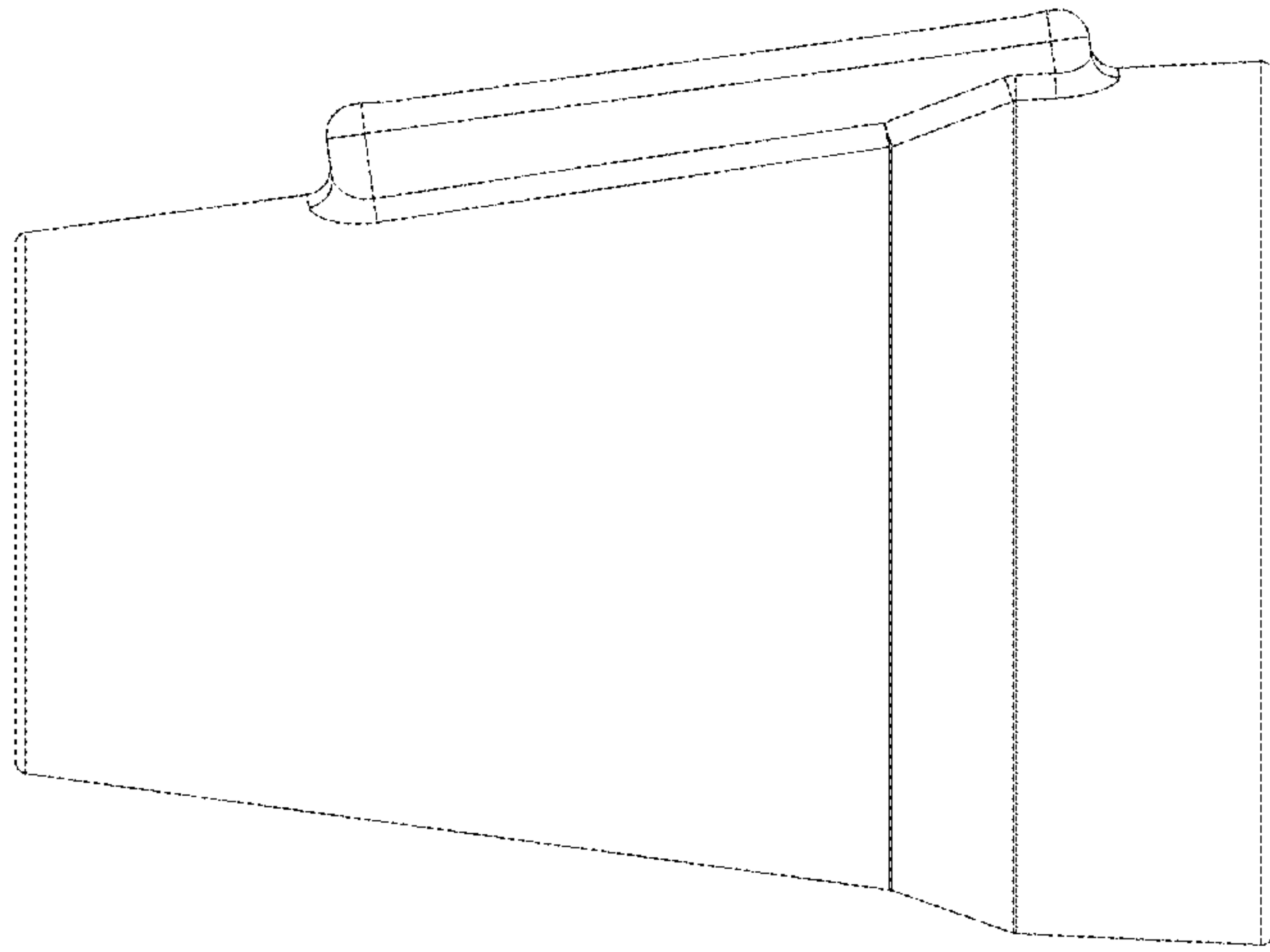


Fig. 6

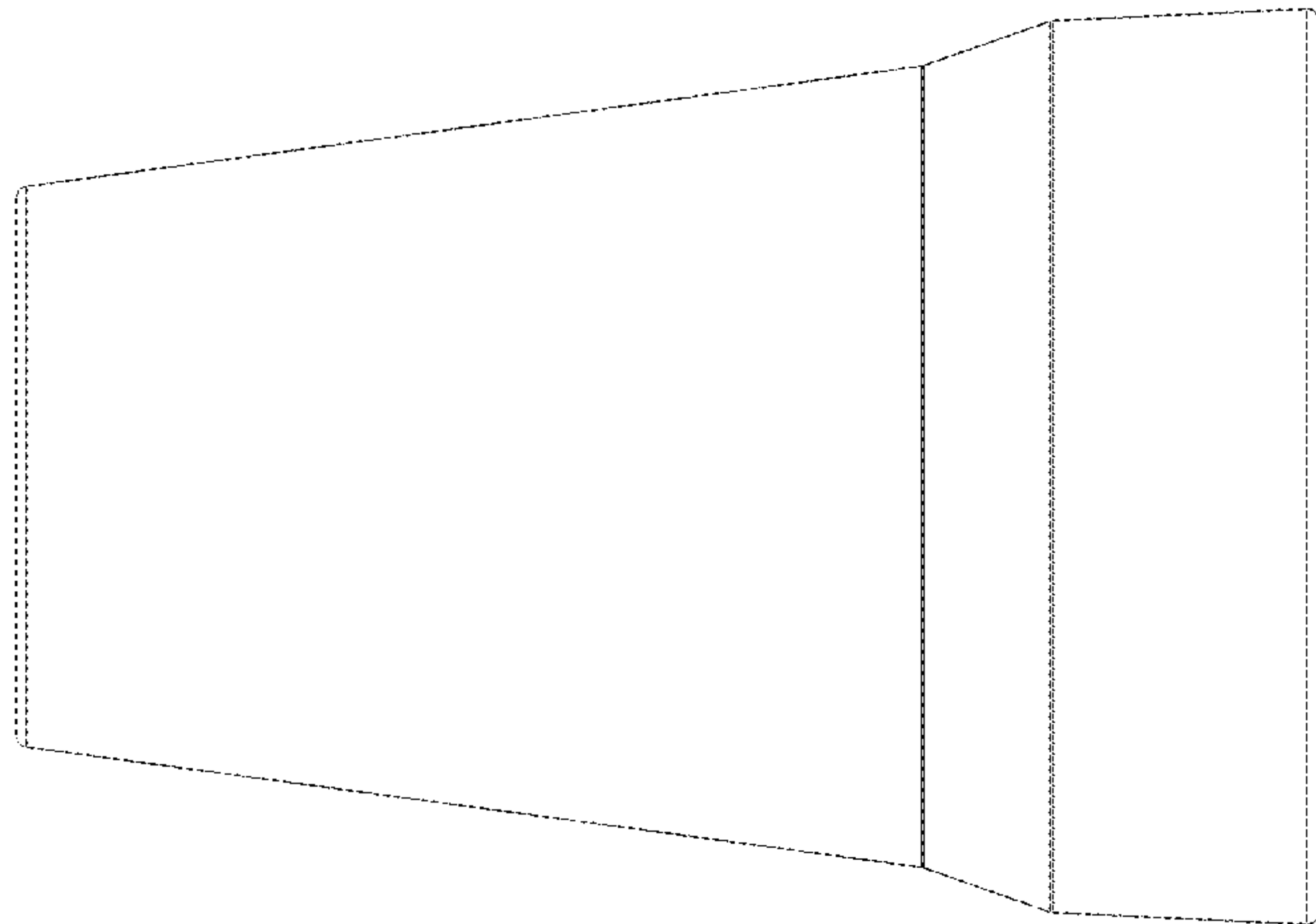


Fig. 5

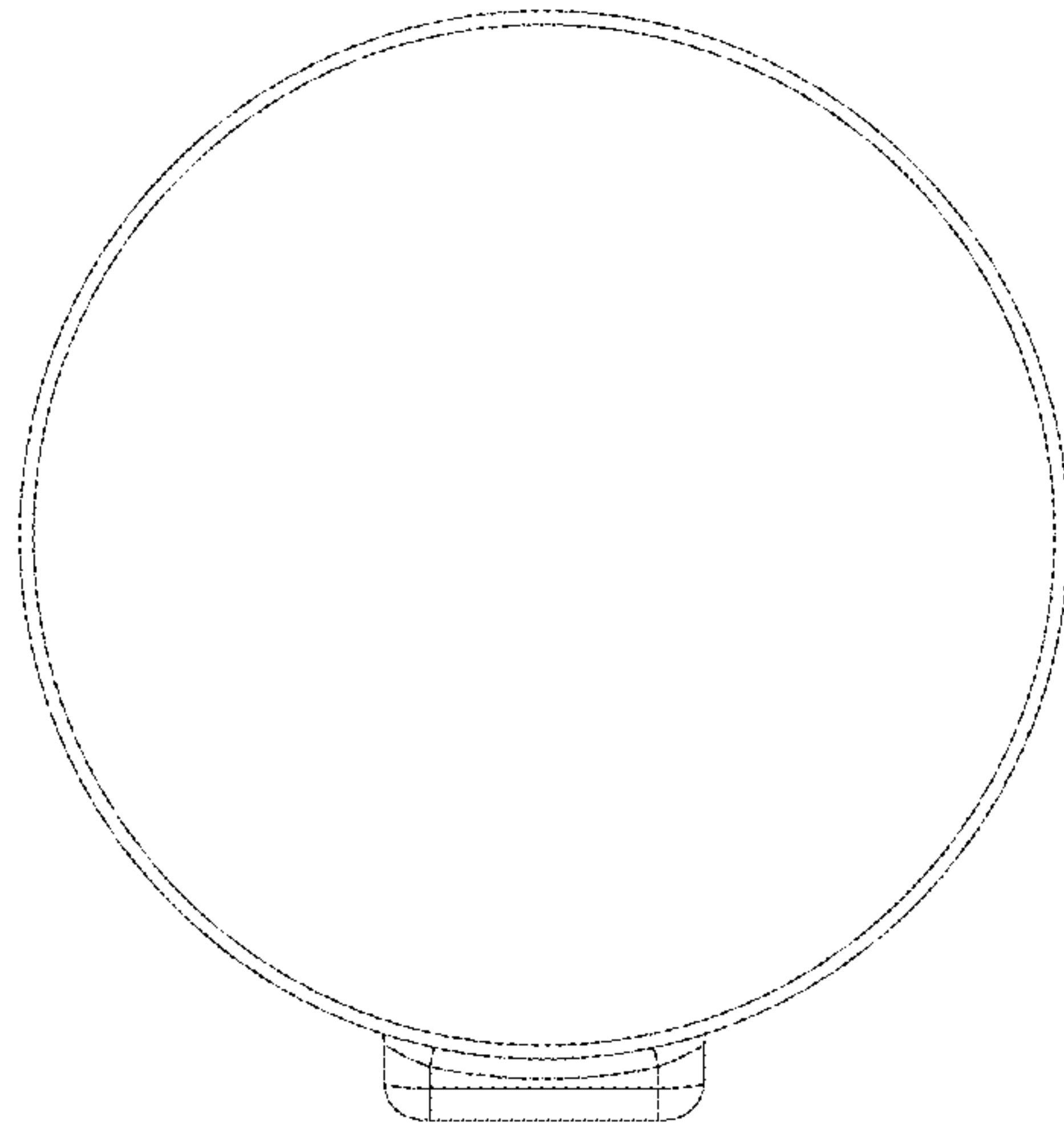


Fig. 8

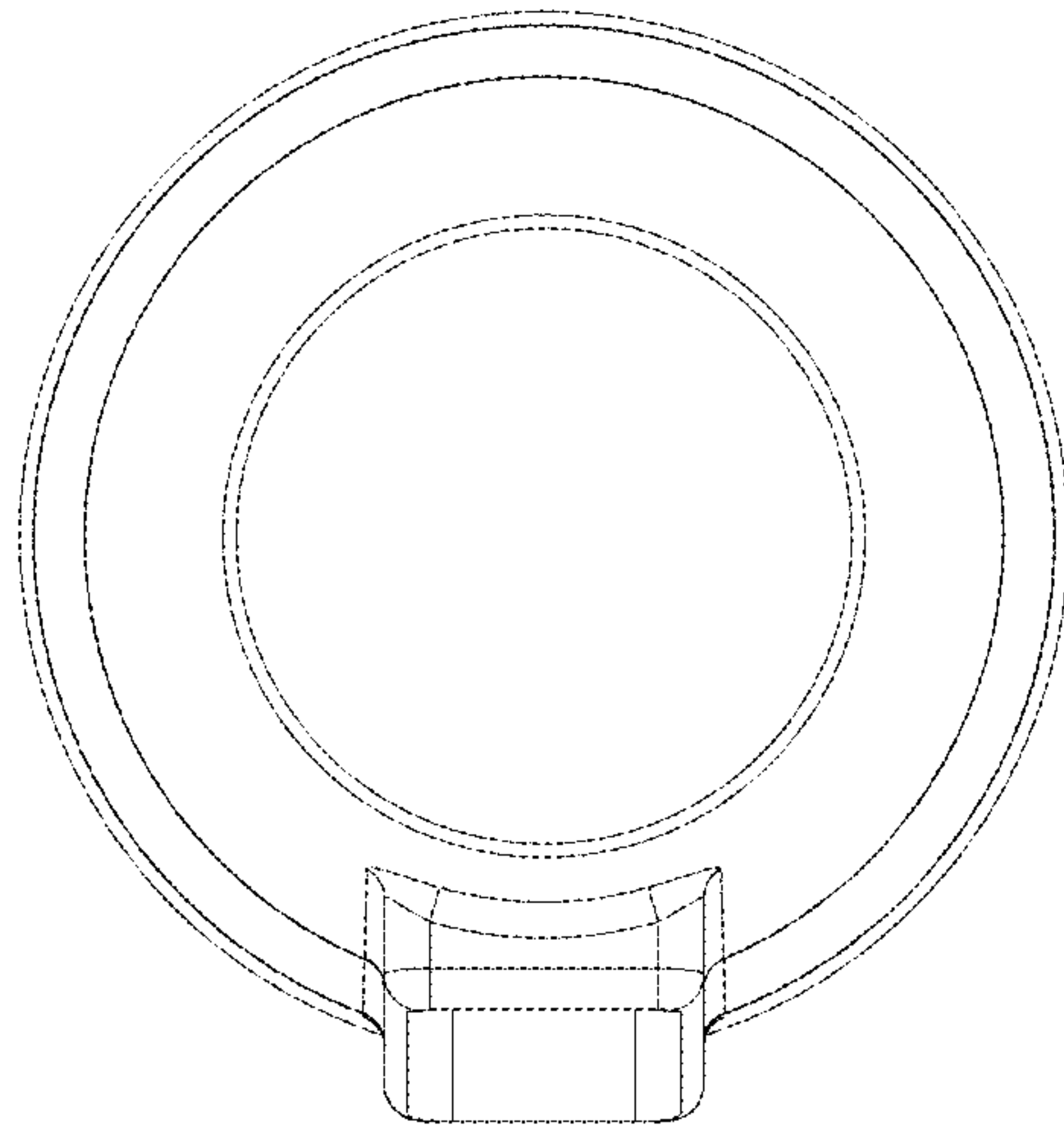


Fig. 7