



US00D982135S

(12) **United States Design Patent** (10) **Patent No.:** **US D982,135 S**
Andermann (45) **Date of Patent:** **** Mar. 28, 2023**

(54) **FOG MACHINE**
(71) Applicant: **WESSOL, LLC**, Charlotte, NC (US)
(72) Inventor: **Scott Andermann**, Charlotte, NC (US)
(**) Term: **15 Years**
(21) Appl. No.: **35/513,675**
(22) Filed: **Feb. 4, 2022**

D818,701 S * 5/2018 Wright D3/217
D838,925 S * 1/2019 Qiu D32/15
D841,127 S * 2/2019 Butler D23/225
D964,672 S * 9/2022 Mehra D32/15
2007/0102545 A1* 5/2007 Raffenberg A01M 11/00
239/650
2009/0008473 A1* 1/2009 Yun A01M 11/00
239/85
2014/0209705 A1* 7/2014 Bahr B05B 7/1418
239/152
2015/0290663 A1* 10/2015 Wiedmann B05B 7/2475
239/302
2016/0001310 A1* 1/2016 Heide A01M 7/0085
239/152

(80) **Hague Agreement Data**

Int. Filing Date: **Feb. 4, 2022**
Int. Reg. No.: **DM/218836**
Int. Reg. Date: **Feb. 4, 2022**
Int. Reg. Pub. Date: **Feb. 18, 2022**

(Continued)

(51) **LOC (14) Cl.** **23-01**
(52) **U.S. Cl.**
USPC **D23/225**
(58) **Field of Classification Search**
USPC D23/213, 214, 223, 225, 226; D32/15;
D3/217
CPC B05B 5/03; B05B 5/1691; B05B 7/0081;
B05B 7/02; B05B 7/2475; B05B 9/005;
B05B 9/08; B05B 12/002; A01M 13/00;
A61L 2/22

OTHER PUBLICATIONS

Greenworks Pro 80V, Aug. 13, 2018, Amazon, site visited Dec. 15, 2022: <https://www.amazon.ca/dp/B01HD88JLW/> (Year: 2018).*

(Continued)

Primary Examiner — Jack Reickel
Assistant Examiner — Bobby W Jones, II

See application file for complete search history.

(57) **CLAIM**

The ornamental design for a fog machine, as shown and described.

(56) **References Cited**

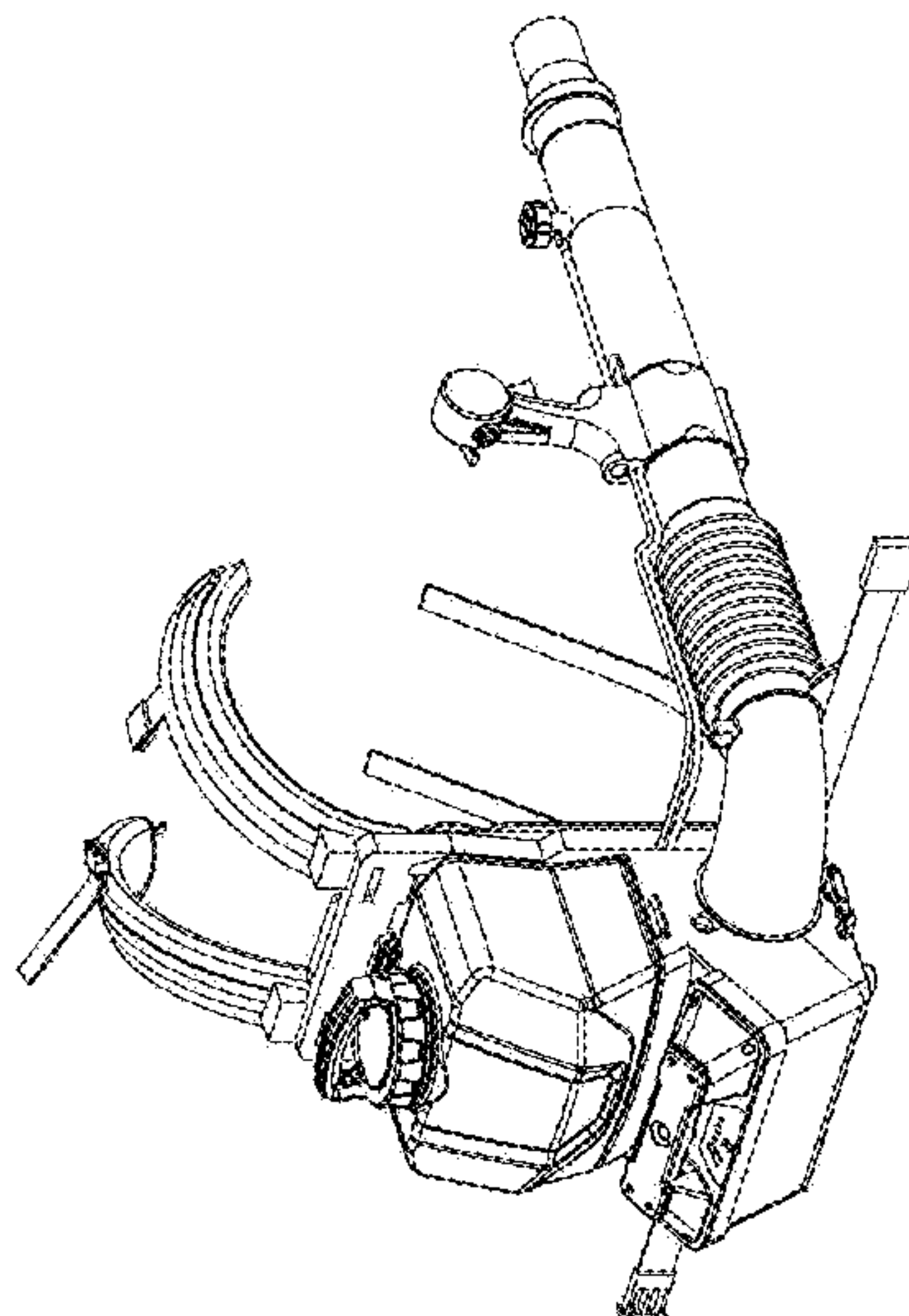
U.S. PATENT DOCUMENTS

D427,394 S * 6/2000 Yamane D32/15
D481,497 S * 10/2003 Malmqvist D3/216
D604,917 S * 11/2009 Tinius D32/15
D623,266 S * 9/2010 Tinius D23/225
D623,722 S * 9/2010 Tinius D23/225
D654,567 S * 2/2012 Yamamoto D23/225
9,061,301 B2 * 6/2015 Bahr B05B 7/2475
D749,698 S * 2/2016 Pereira Dos Reis D23/225
D796,754 S * 9/2017 Hu D32/15
D800,400 S * 10/2017 Tinius D32/16
D806,330 S * 12/2017 Moriya D32/15

DESCRIPTION

- 1. Fog machine
- 1.1 : Perspective
- 1.2 : Perspective
- 1.3 : Perspective
- 1.4 : Perspective
- 1.5 : Perspective
- 1.6 : Front
- 1.7 : side
- 1.8 : Back
- 1.9 : side
- 1.10 : Top
- 1.11 : Bottom

1 Claim, 11 Drawing Sheets



(56)

References Cited

U.S. PATENT DOCUMENTS

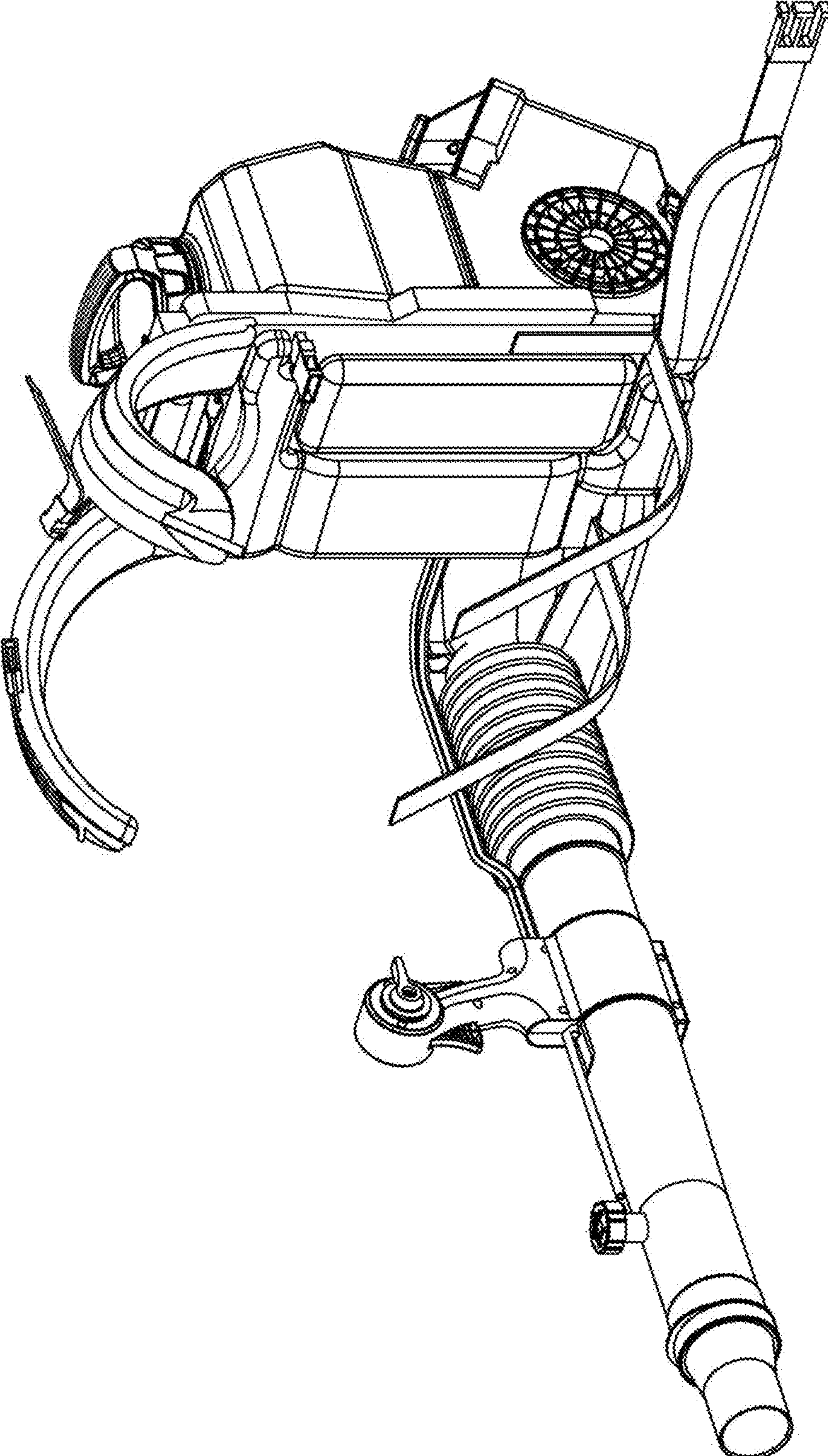
2020/0245569 A1* 8/2020 Roth A01G 20/47
2021/0370330 A1* 12/2021 Wang A01M 1/2033
2022/0212325 A1* 7/2022 Olvera B05B 5/043
2022/0241803 A1* 8/2022 Doherty B05B 11/0037

OTHER PUBLICATIONS

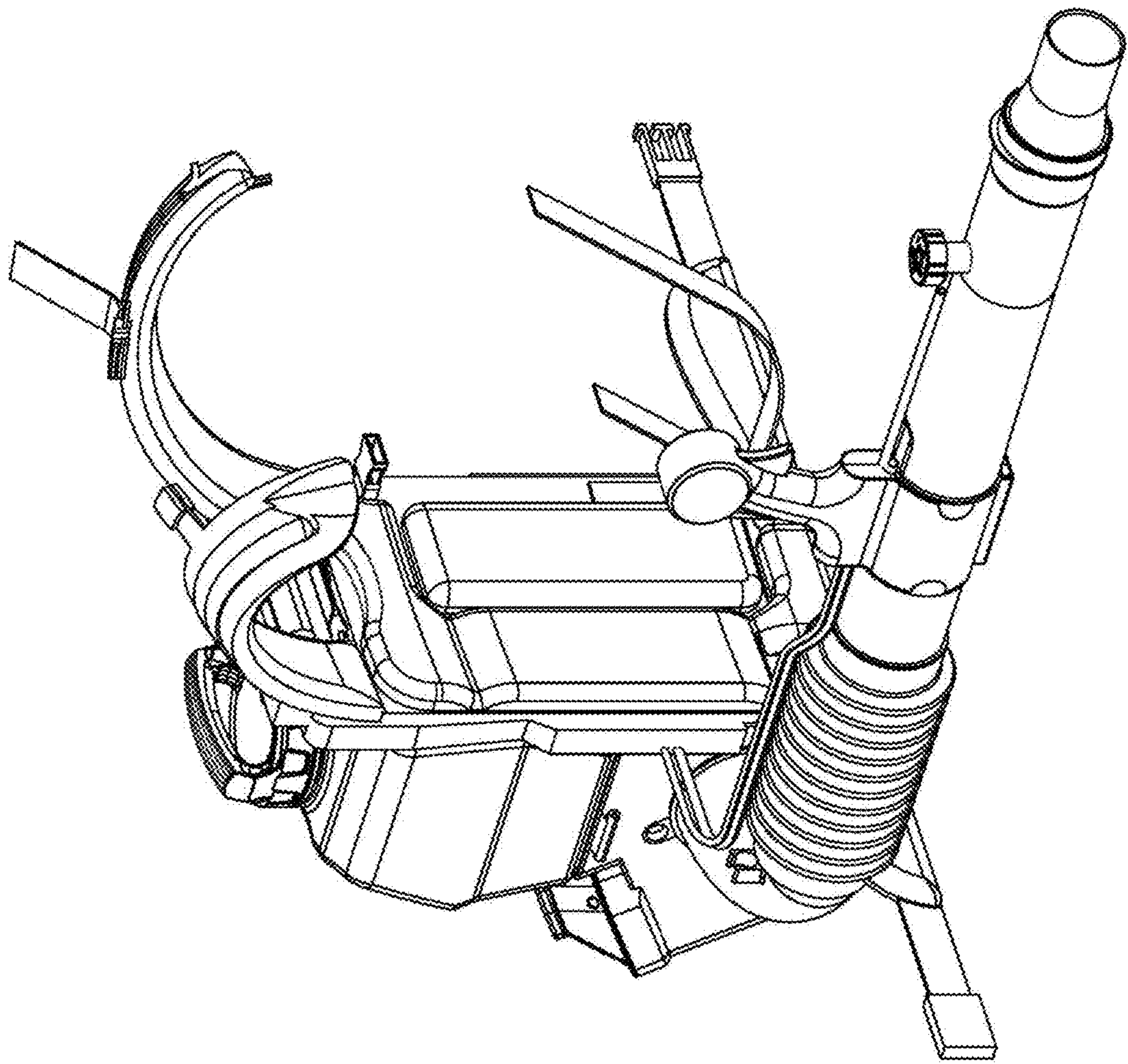
Invatech Italia New Mister Duster, Feb. 22, 2020, Amazon, site
visited Dec. 15, 2022: <https://www.amazon.ca/dp/B0746S92WW/>
(Year: 2020).*

* cited by examiner

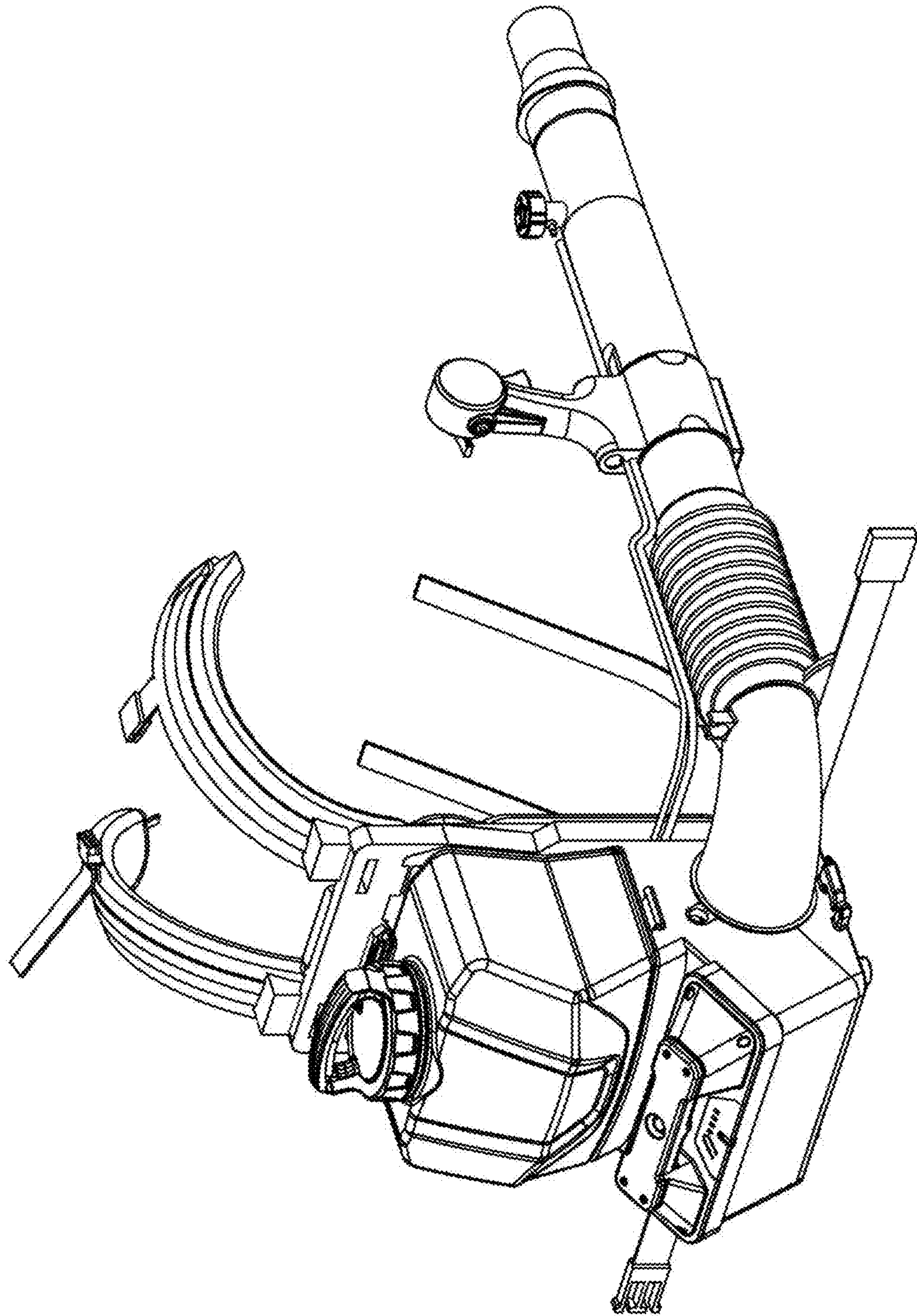
1.1



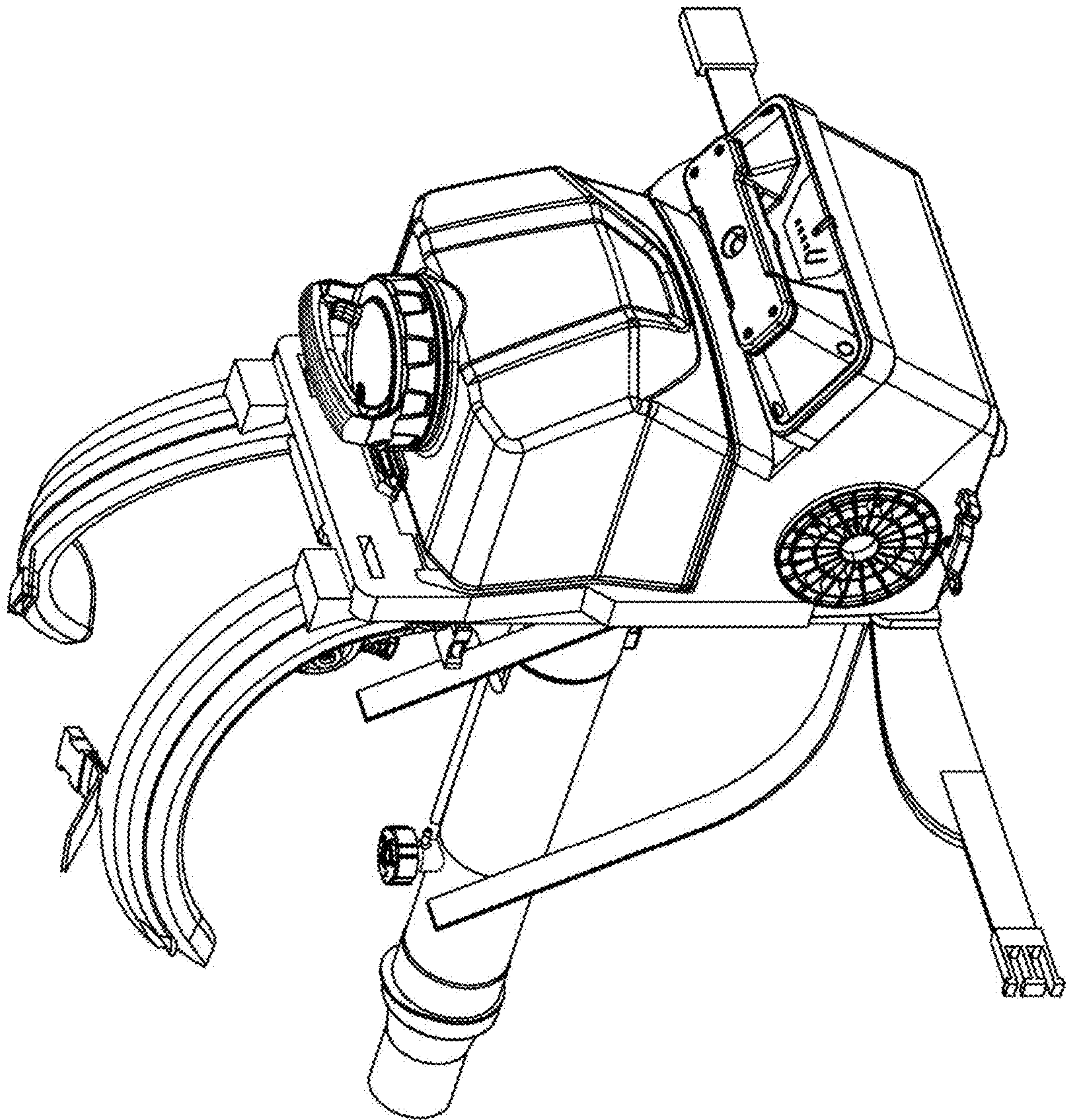
1.2



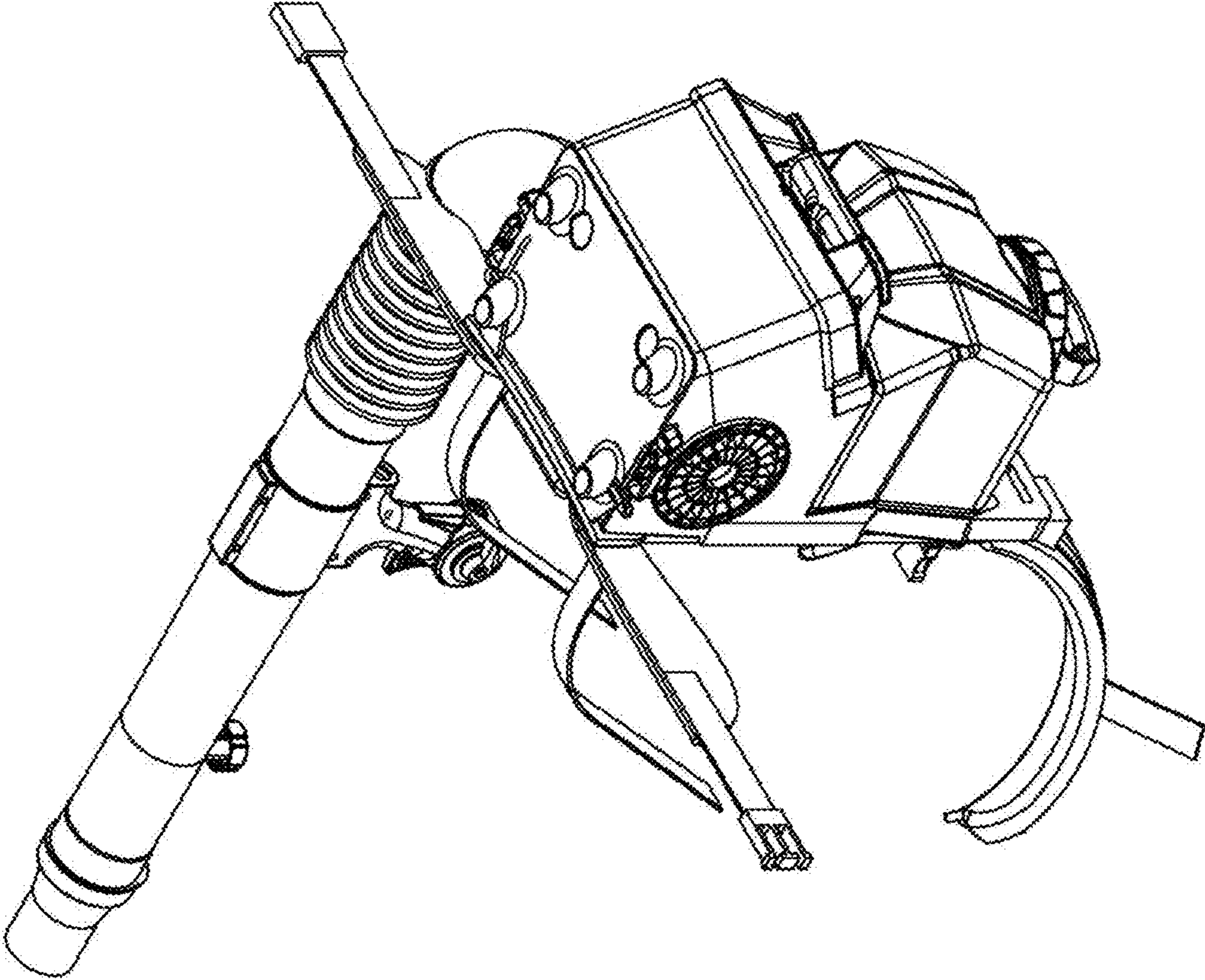
1.3



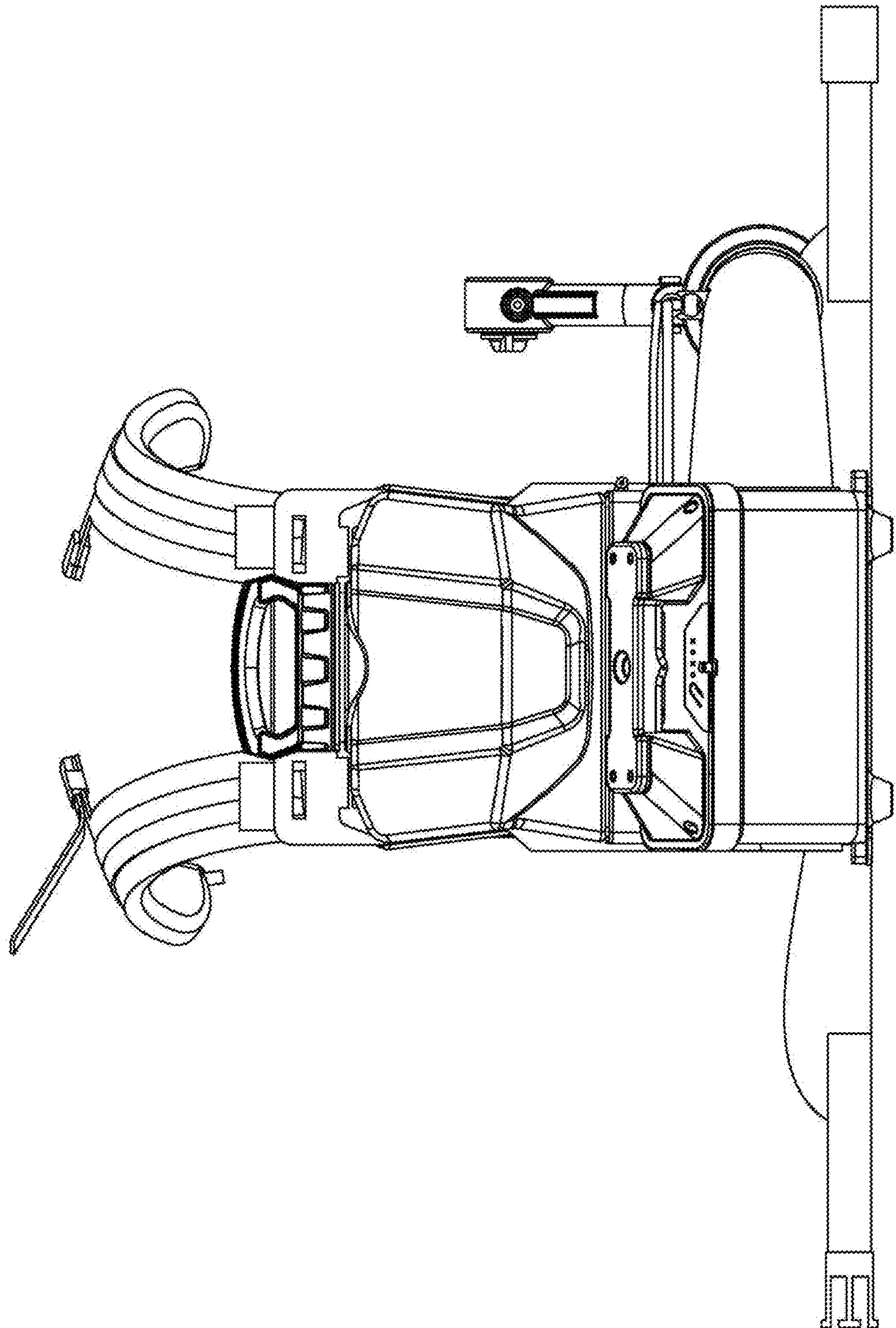
1.4



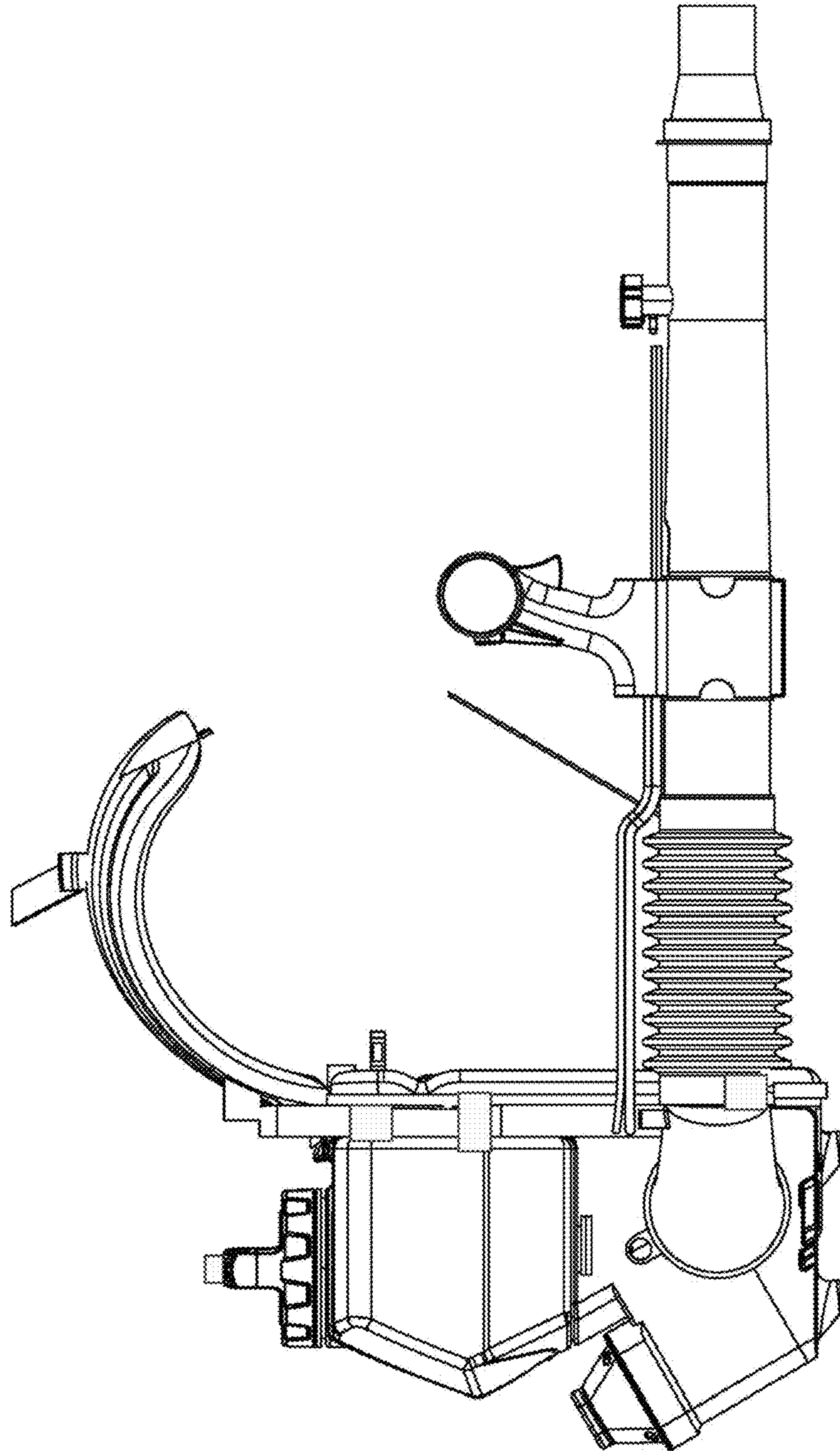
1.5



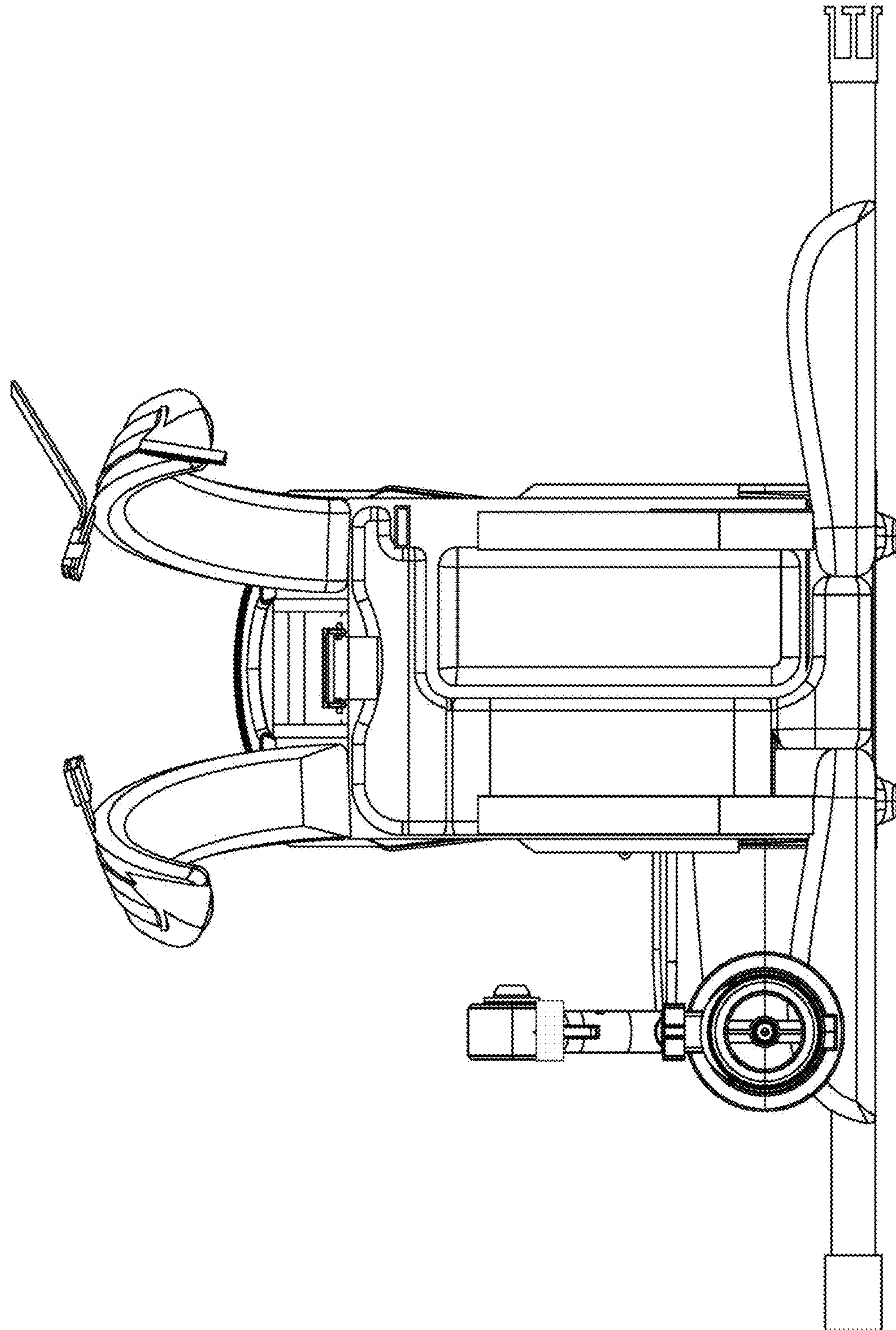
1.6



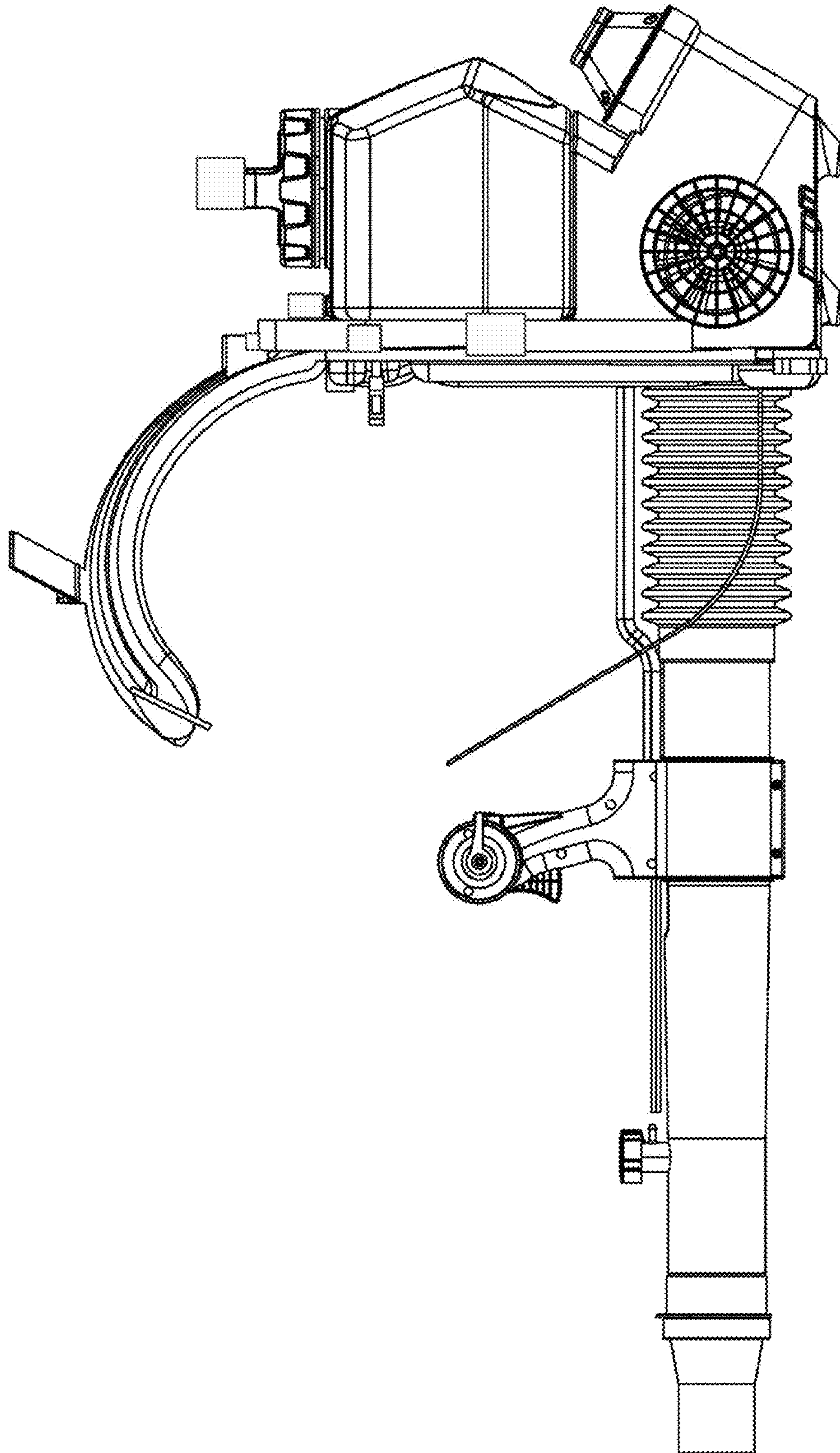
1.7



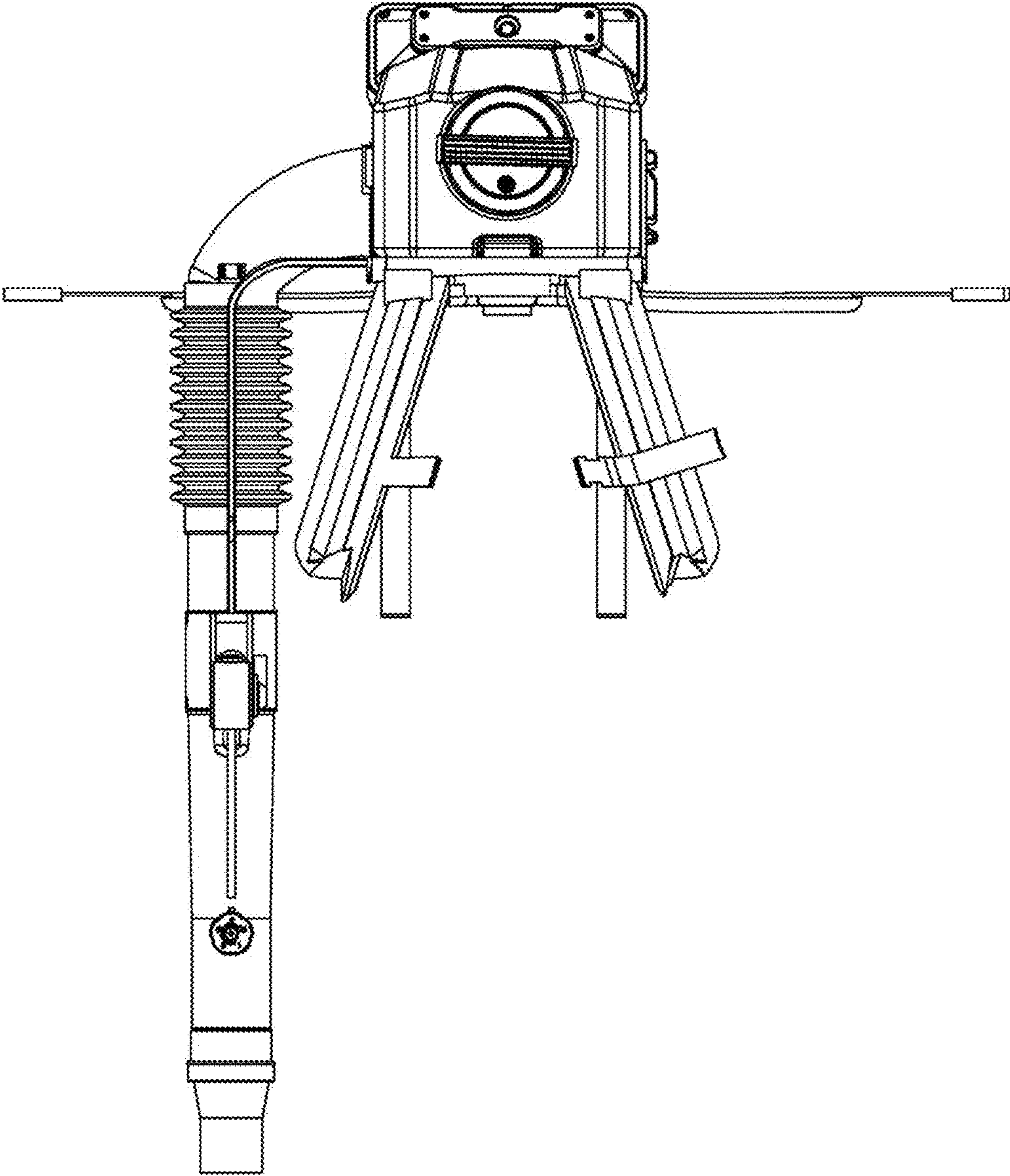
1.8



1.9



1.10



1.11

