

US00D982134S

(12) **United States Design Patent** (10) **Patent No.:** **US D982,134 S**  
**Speck** (45) **Date of Patent:** **\*\* Mar. 28, 2023**

(54) **SHOWER SYSTEM**  
(71) Applicant: **GROHE AG**, Hemer (DE)  
(72) Inventor: **Patrick de Arins Speck**, London (GB)  
(73) Assignee: **GROHE AG**, Hemer (DE)  
(\*\*) Term: **15 Years**

D707,330 S \* 6/2014 Schoenherr ..... D23/223  
D713,004 S \* 9/2014 Schoenherr ..... D23/223  
D713,496 S \* 9/2014 Schoenherr ..... D23/213  
D718,418 S \* 11/2014 Georgeson ..... D23/213  
D730,493 S \* 5/2015 Sehl ..... D23/261  
D733,258 S \* 6/2015 Sandee ..... D23/223  
D736,347 S \* 8/2015 Tan ..... D23/213

(Continued)

(21) Appl. No.: **29/797,180**  
(22) Filed: **Jun. 29, 2021**

(30) **Foreign Application Priority Data**

Jan. 4, 2021 (EM) ..... 008385371-0003  
Jan. 6, 2021 (EM) ..... 008387419-0001

(51) **LOC (14) Cl.** ..... **23-01**

(52) **U.S. Cl.**  
USPC ..... **D23/223**

(58) **Field of Classification Search**  
USPC ..... D23/213, 214, 215, 221-222, 223, 224,  
D23/226, 229, 230  
CPC ..... A61H 9/0021; A61H 33/00; B05B 1/00;  
B05B 1/14; B05B 1/185; B05B 1/08;  
B05B 1/02; B05B 1/26; B05B 12/002;  
B05B 1/18; B05B 9/01  
See application file for complete search history.

(56) **References Cited**

**U.S. PATENT DOCUMENTS**

D487,498 S \* 3/2004 Blomstrom ..... D23/213  
D496,987 S \* 10/2004 Glunk ..... D23/213  
D508,730 S \* 8/2005 Blomstrom ..... D23/229  
D524,412 S \* 7/2006 Blomstrom ..... D23/229  
D540,427 S \* 4/2007 Bouroullec ..... D23/213  
D680,619 S \* 4/2013 Zhadanov ..... D23/223  
D681,776 S \* 5/2013 Cutler ..... D23/223  
D694,357 S \* 11/2013 Brodey ..... D23/213  
D694,359 S \* 11/2013 Schoenherr ..... D23/213

**OTHER PUBLICATIONS**

Rovate Thermostatic Shower Faucet Set, Nov. 27, 2019, amazon.ca, Oct. 27, 2022, URL: <https://www.amazon.ca/ROVATE-Thermostatic-Finished-Rainfall-Adjustable/dp/B0822KZPY3/> (Year: 2019).\*

(Continued)

*Primary Examiner* — Keith J Wilson  
(74) *Attorney, Agent, or Firm* — Wenderoth, Lind & Ponack, L.L.P.

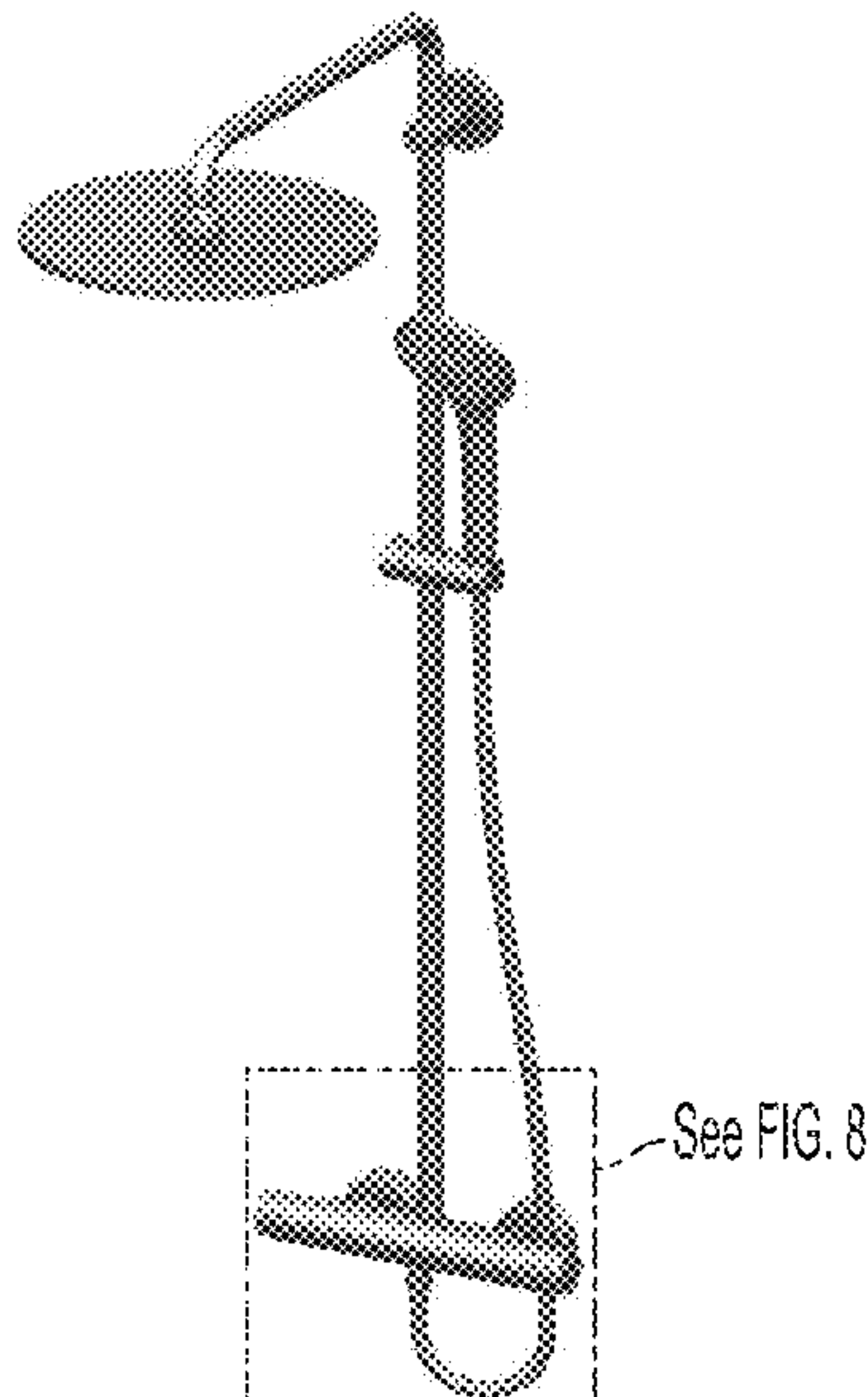
(57) **CLAIM**

The ornamental design for shower system, as shown and described.

**DESCRIPTION**

FIG. 1 is a perspective view of a shower system embodying my design;  
FIG. 2 is a left side view thereof;  
FIG. 3 is a right side view thereof;  
FIG. 4 is a front view thereof;  
FIG. 5 is a bottom plan view thereof;  
FIG. 6 is a top plan view thereof;  
FIG. 7 is a back side view thereof; and,  
FIG. 8 is a partial enlarged front perspective view thereof. The broken lines in FIG. 7 show portions of the shower system that form no part of the claimed design. The dot-dash broken lines in FIG. 1 shows the corresponding portion indicated within the dot-dash broken lines in FIG. 8. The dot-dash broken lines form no part of the claimed design.

**1 Claim, 8 Drawing Sheets**



(56)

References Cited

U.S. PATENT DOCUMENTS

D737,931 S \* 9/2015 Schoenherr ..... D23/223  
 D737,932 S \* 9/2015 Nikles ..... D23/223  
 D743,507 S \* 11/2015 Georgeson ..... D23/252  
 D746,955 S \* 1/2016 Corder ..... D23/261  
 D751,174 S \* 3/2016 Schoenherr ..... D23/213  
 D752,711 S \* 3/2016 Georgeson ..... D23/213  
 D757,895 S \* 5/2016 Schoenherr ..... D23/213  
 D758,532 S \* 6/2016 Schoenherr ..... D23/213  
 9,387,495 B2 \* 7/2016 Schumacher ..... B05B 1/30  
 D778,404 S \* 2/2017 Schoenherr ..... D23/223  
 D779,038 S \* 2/2017 Hanna ..... D23/223  
 D779,039 S \* 2/2017 Hanna ..... D23/223  
 D791,277 S \* 7/2017 Eads ..... D23/213  
 D801,475 S \* 10/2017 Naslund ..... D23/213  
 D803,350 S \* 11/2017 Tian ..... D23/213  
 D808,499 S \* 1/2018 Naslund ..... D23/213  
 D809,094 S \* 1/2018 Naslund ..... D23/213  
 D810,233 S \* 2/2018 Winter ..... D23/213  
 D810,861 S \* 2/2018 Weaver ..... D23/213  
 D811,524 S \* 2/2018 Bossini ..... D23/223

D813,348 S \* 3/2018 Bossini ..... D23/213  
 D820,388 S \* 6/2018 Seum ..... D23/213  
 D820,949 S \* 6/2018 Reinecker ..... D23/213  
 D821,542 S \* 6/2018 Reinecker ..... D23/213  
 D824,485 S \* 7/2018 Montoya ..... D23/213  
 D828,491 S \* 9/2018 Schoenherr ..... D23/213  
 D833,575 S \* 11/2018 Soulier ..... D23/223  
 D839,384 S \* 1/2019 Svendsen ..... D23/213  
 D840,503 S \* 2/2019 Stein ..... D23/213  
 D841,121 S \* 2/2019 Kiefer ..... D23/213  
 D841,125 S \* 2/2019 Lai ..... D23/223  
 D842,429 S \* 3/2019 Huang ..... D23/213  
 D842,430 S \* 3/2019 Huang ..... D23/213  
 D842,431 S \* 3/2019 Cacka ..... D23/213  
 D842,967 S \* 3/2019 Farley ..... D23/213

OTHER PUBLICATIONS

Yuesimate Brass Matte Black Shower Faucet Set Shower System,  
 Jun. 8, 2021, amazon.ca, Oct. 27, 2022, URL: <https://www.amazon.ca/dp/B096VD6ZLX/> (Year: 2021).\*

\* cited by examiner

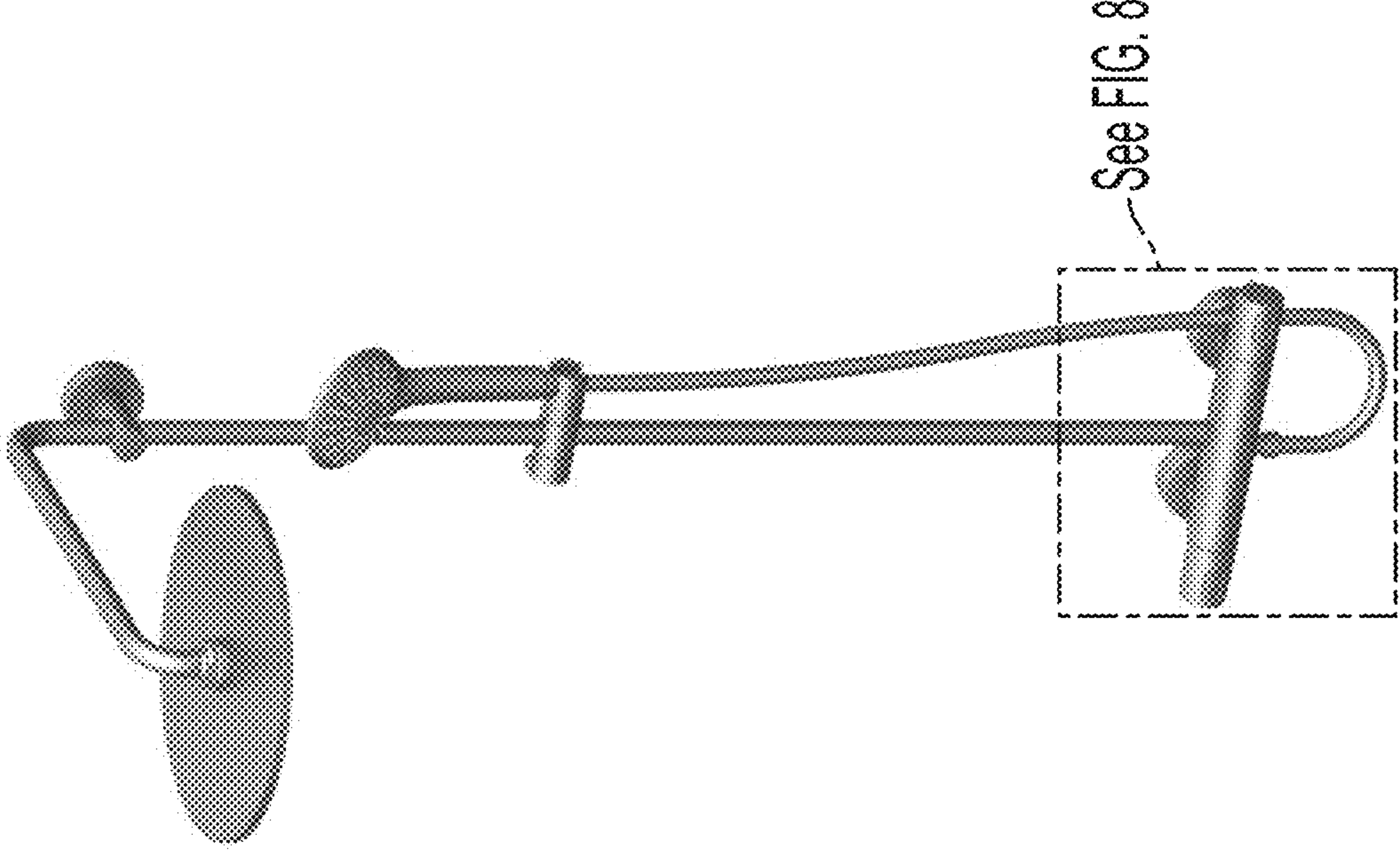


FIG. 1

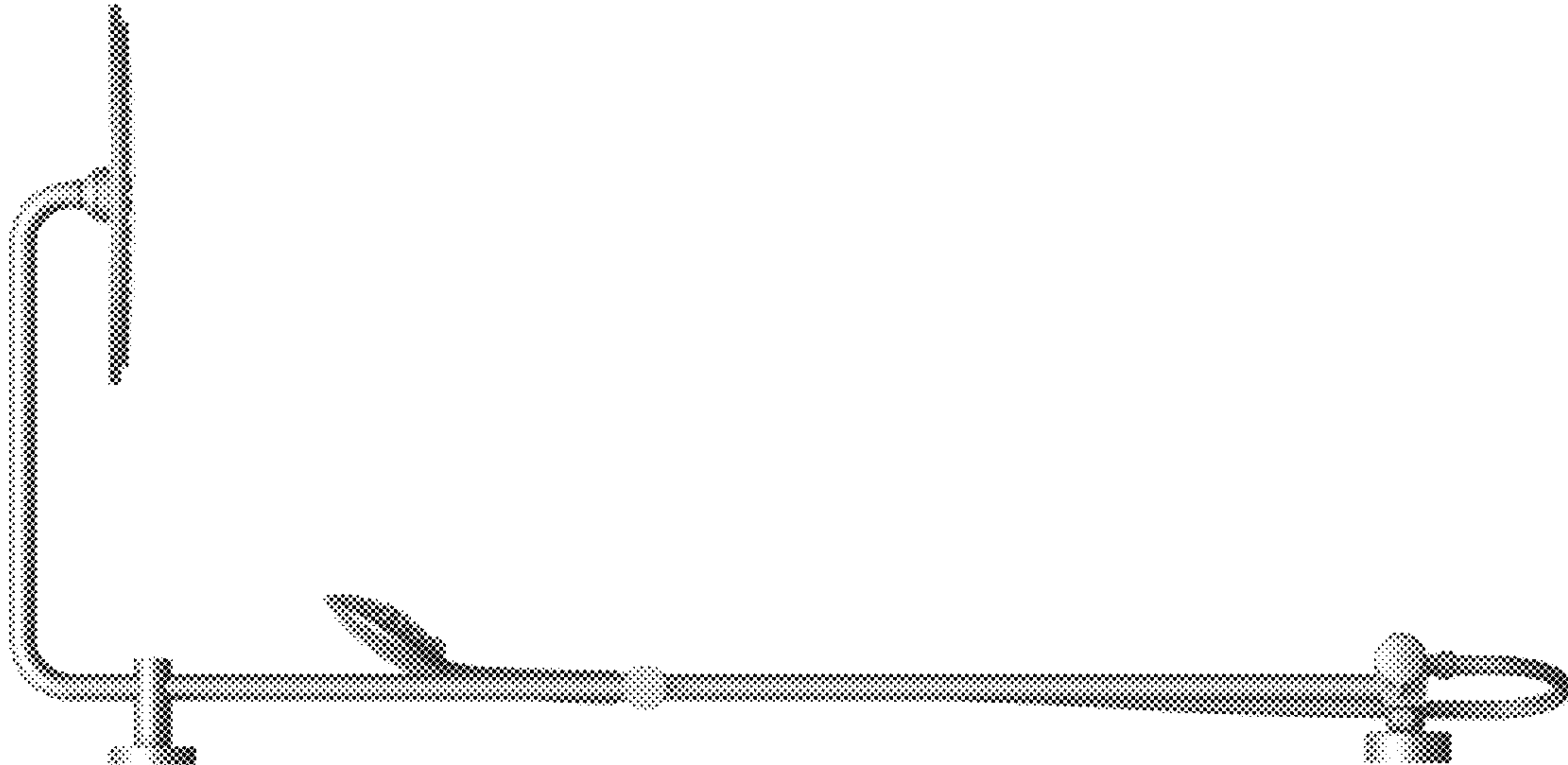


FIG. 2

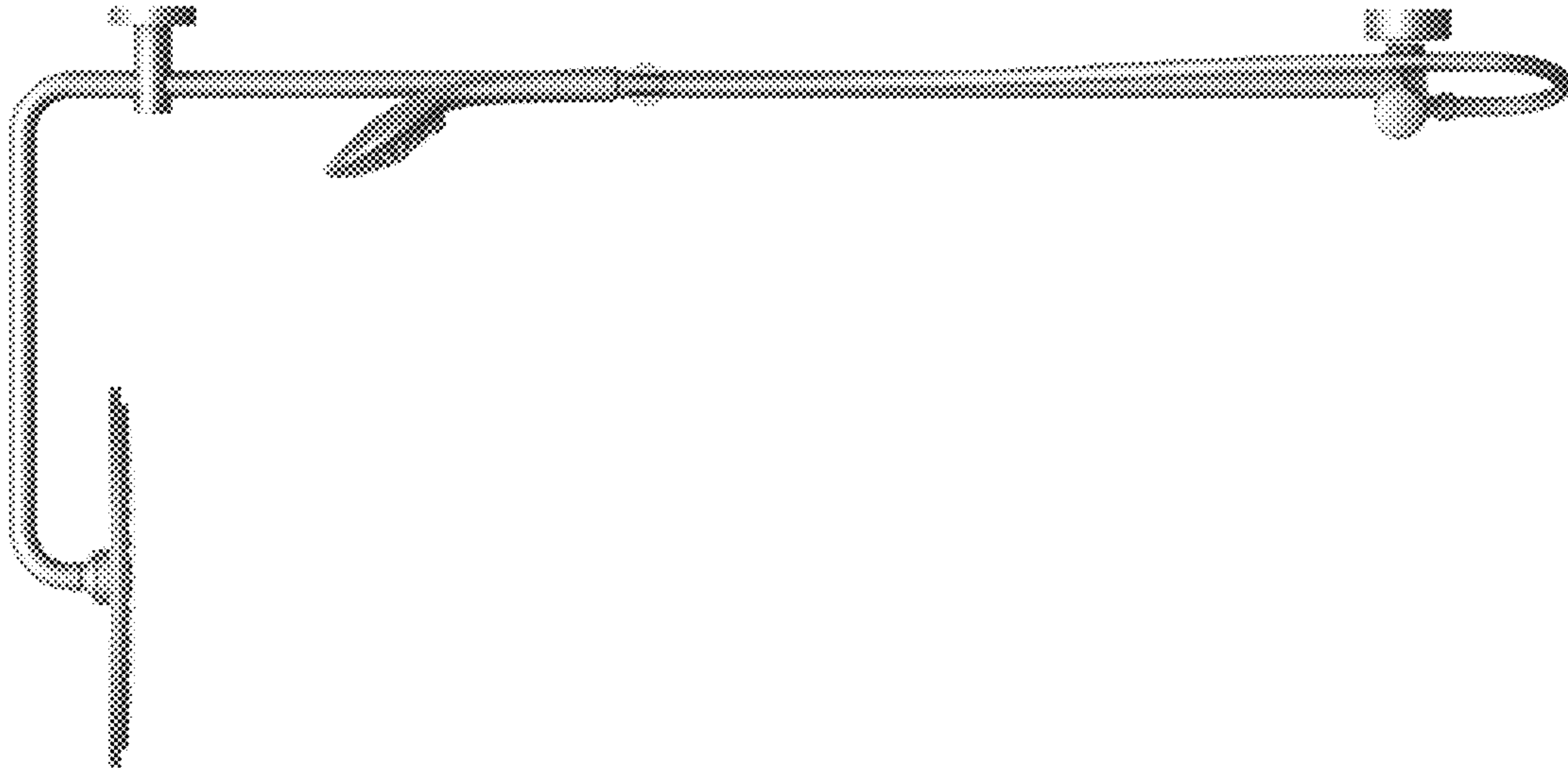


FIG. 3



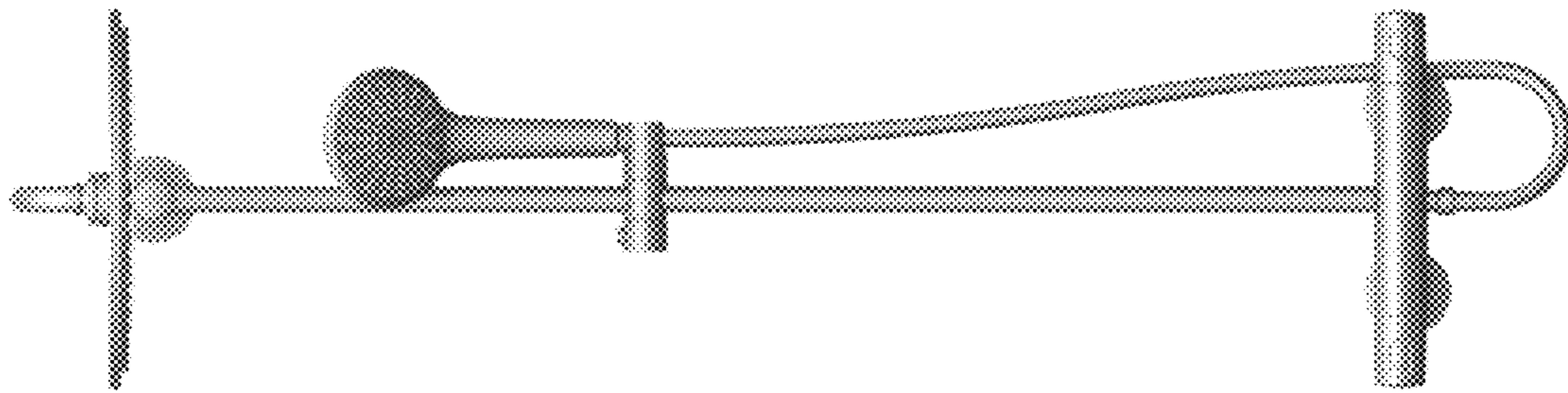


FIG. 4

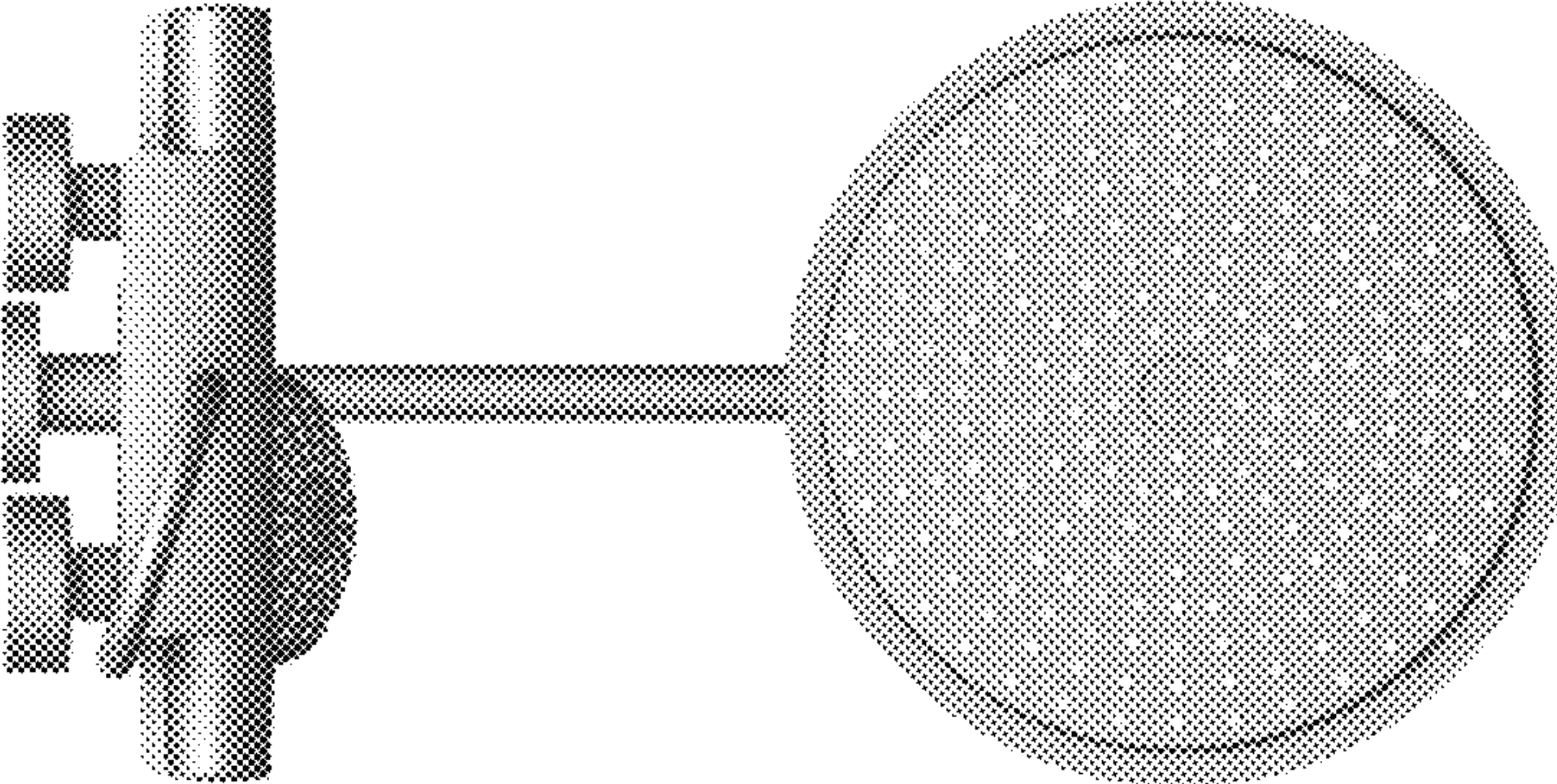


FIG. 5

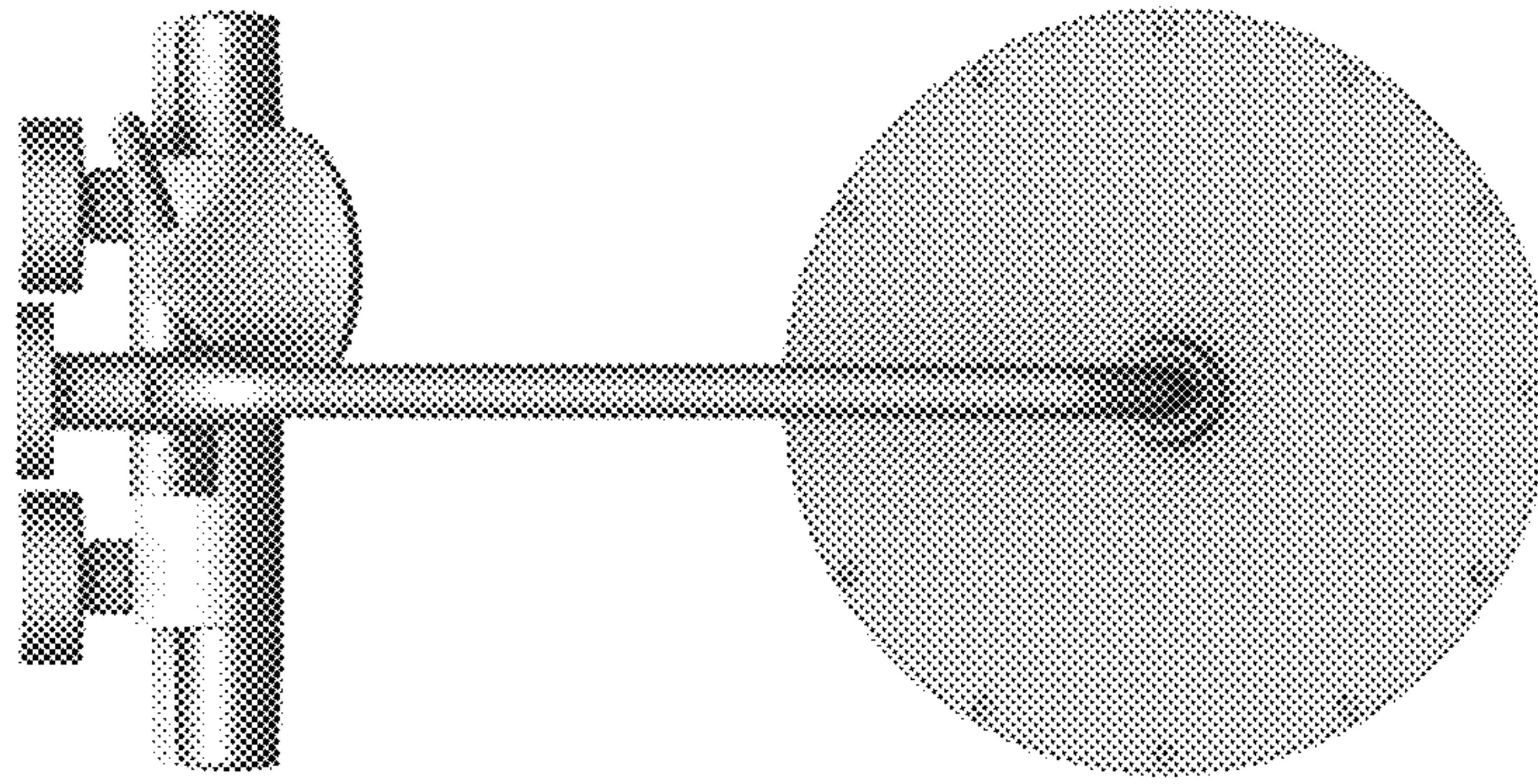


FIG. 6



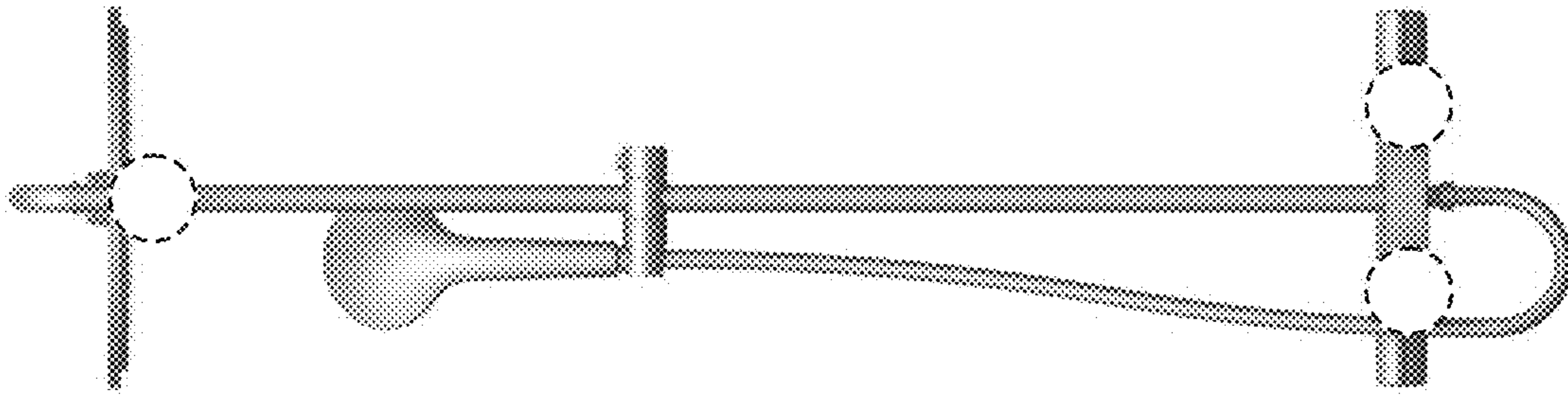


FIG. 7

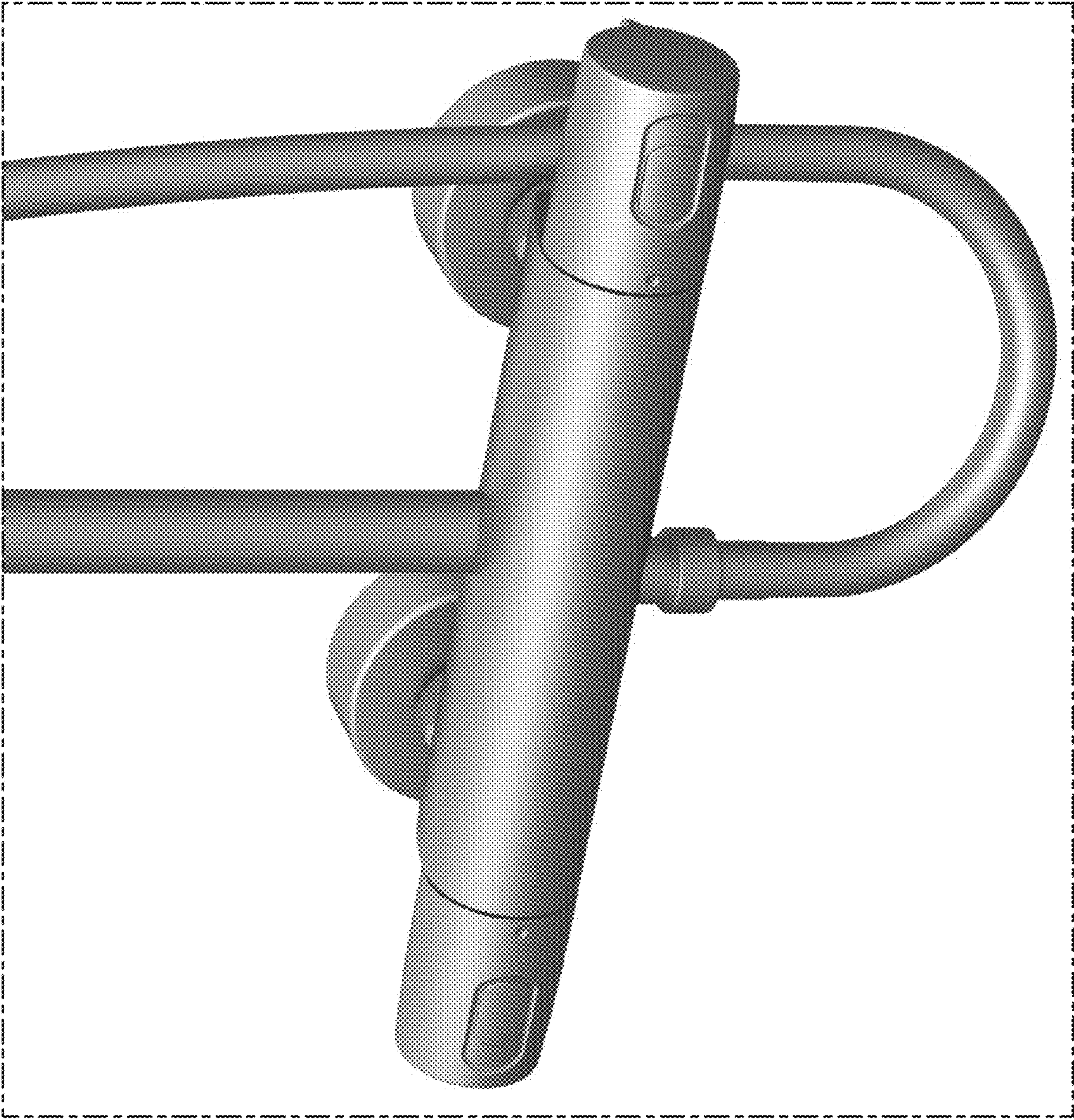


FIG. 8