



US00D982133S

(12) **United States Design Patent** (10) **Patent No.:** **US D982,133 S**
Speck (45) **Date of Patent:** **** Mar. 28, 2023**

(54) **SHOWER SYSTEM**
(71) Applicant: **GROHE AG**, Hemer (DE)
(72) Inventor: **Patrick de Arins Speck**, London (GB)
(73) Assignee: **GROHE AG**, Hemer (DE)
(**) Term: **15 Years**

D713,004 S * 9/2014 Schoenherr D23/223
D713,496 S * 9/2014 Schoenherr D23/213
D718,418 S * 11/2014 Georgeson D23/213
D730,493 S * 5/2015 Sehl D23/261
D733,258 S * 6/2015 Sandee D23/223
D736,347 S * 8/2015 Tan D23/213
D737,931 S * 9/2015 Schoenherr D23/223
(Continued)

(21) Appl. No.: **29/797,173**
(22) Filed: **Jun. 29, 2021**
(30) **Foreign Application Priority Data**

Jan. 4, 2021 (EM) 008385371-0003

(51) **LOC (14) Cl.** **23-01**

(52) **U.S. Cl.**
USPC **D23/223**

(58) **Field of Classification Search**
USPC D23/213, 214, 215, 221-222, 223, 224,
D23/226, 229, 230

CPC A61H 9/0021; A61H 33/00; B05B 1/00;
B05B 1/14; B05B 1/185; B05B 1/08;
B05B 1/02; B05B 1/26; B05B 12/002;
B05B 1/18; B05B 9/01

See application file for complete search history.

(56) **References Cited**

U.S. PATENT DOCUMENTS

D487,498 S * 3/2004 Blomstrom D23/213
D496,987 S * 10/2004 Glunk D23/213
D508,730 S * 8/2005 Blomstrom D23/229
D524,412 S * 7/2006 Blomstrom D23/229
D540,427 S * 4/2007 Bouroullec D23/213
D680,619 S * 4/2013 Zhadanov D23/223
D681,776 S * 5/2013 Cutler D23/223
D694,357 S * 11/2013 Brodey D23/213
D694,359 S * 11/2013 Schoenherr D23/213
D707,330 S * 6/2014 Schoenherr D23/223

OTHER PUBLICATIONS

Rovate Thermostatic Shower Faucet Set, Nov. 27, 2019, amazon.ca, Oct. 27, 2022, URL: <https://www.amazon.ca/ROVATE-Thermostatic-Finished-Rainfall-Adjustable/dp/B0822KZPY3/> (Year: 2019).*

(Continued)

Primary Examiner — Keith J Wilson
(74) *Attorney, Agent, or Firm* — Wenderoth, Lind & Ponack, L.L.P.

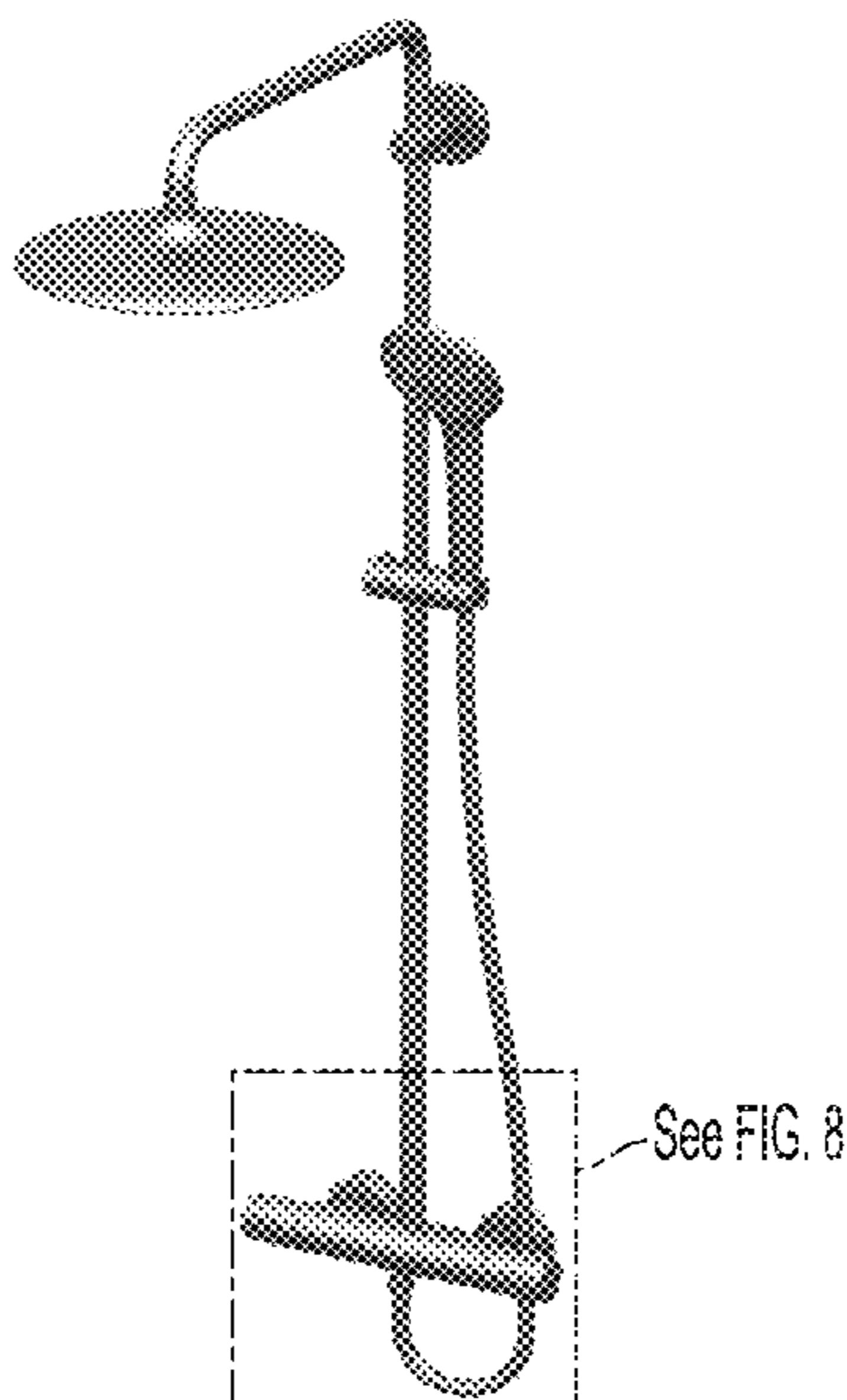
(57) **CLAIM**

The ornamental design for shower system, as shown and described.

DESCRIPTION

FIG. 1 is a perspective view of a shower system embodying my design;
FIG. 2 is a left side view thereof;
FIG. 3 is a right side view thereof;
FIG. 4 is a front view thereof;
FIG. 5 is a back side view thereof;
FIG. 6 is a top plan view thereof;
FIG. 7 is a bottom plan view thereof; and,
FIG. 8 is a partial enlarged front perspective view thereof. The broken lines in FIG. 5 show portions of the shower system that form no part of the claimed design. The dot-dash broken lines in FIG. 1 shows the corresponding portion indicated within the dot-dash broken lines in FIG. 8. The dot-dash broken lines form no part of the claimed design.

1 Claim, 8 Drawing Sheets



(56)

References Cited

U.S. PATENT DOCUMENTS

D737,932 S * 9/2015 Nikles D23/223
 D743,507 S * 11/2015 Georgeson D23/252
 D746,955 S * 1/2016 Corder D23/261
 D751,174 S * 3/2016 Schoenherr D23/213
 D752,711 S * 3/2016 Georgeson D23/213
 D757,895 S * 5/2016 Schoenherr D23/213
 D758,532 S * 6/2016 Schoenherr D23/213
 9,387,495 B2 * 7/2016 Schumacher B05B 1/30
 D778,404 S * 2/2017 Schoenherr D23/223
 D779,038 S * 2/2017 Hanna D23/223
 D779,039 S * 2/2017 Hanna D23/223
 D791,277 S * 7/2017 Eads D23/213
 D801,475 S * 10/2017 Naslund D23/213
 D803,350 S * 11/2017 Tian D23/213
 D808,499 S * 1/2018 Naslund D23/213
 D809,094 S * 1/2018 Naslund D23/213
 D810,233 S * 2/2018 Winter D23/213
 D810,861 S * 2/2018 Weaver D23/213
 D811,524 S * 2/2018 Bossini D23/223
 D813,348 S * 3/2018 Bossini D23/213

D820,388 S * 6/2018 Seum D23/213
 D820,949 S * 6/2018 Reinecker D23/213
 D821,542 S * 6/2018 Reinecker D23/213
 D824,485 S * 7/2018 Montoya D23/213
 D828,491 S * 9/2018 Schoenherr D23/213
 D833,575 S * 11/2018 Soulier D23/223
 D839,384 S * 1/2019 Svendsen D23/213
 D840,503 S * 2/2019 Stein D23/213
 D841,121 S * 2/2019 Kiefer D23/213
 D841,125 S * 2/2019 Lai D23/223
 D842,429 S * 3/2019 Huang D23/213
 D842,430 S * 3/2019 Huang D23/213
 D842,431 S * 3/2019 Cacka D23/213
 D842,967 S * 3/2019 Farley D23/213

OTHER PUBLICATIONS

Yuesimate Brass Matte Black Shower Faucet Set Shower System,
 Jun. 8, 2021, amazon.ca, Oct. 27, 2022, URL: <https://www.amazon.ca/dp/B096VD6ZLX/> (Year: 2021).*

* cited by examiner

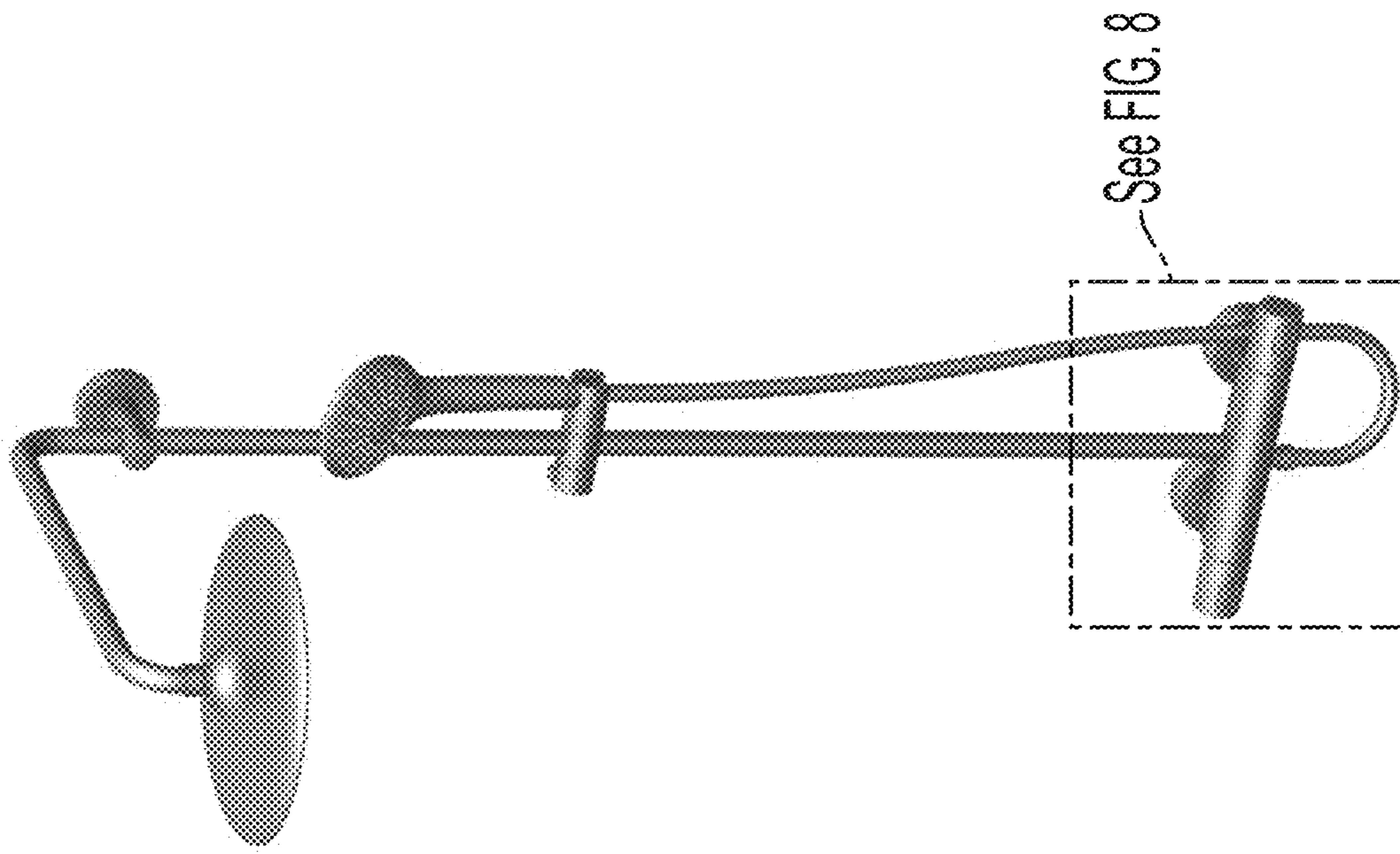


FIG. 1

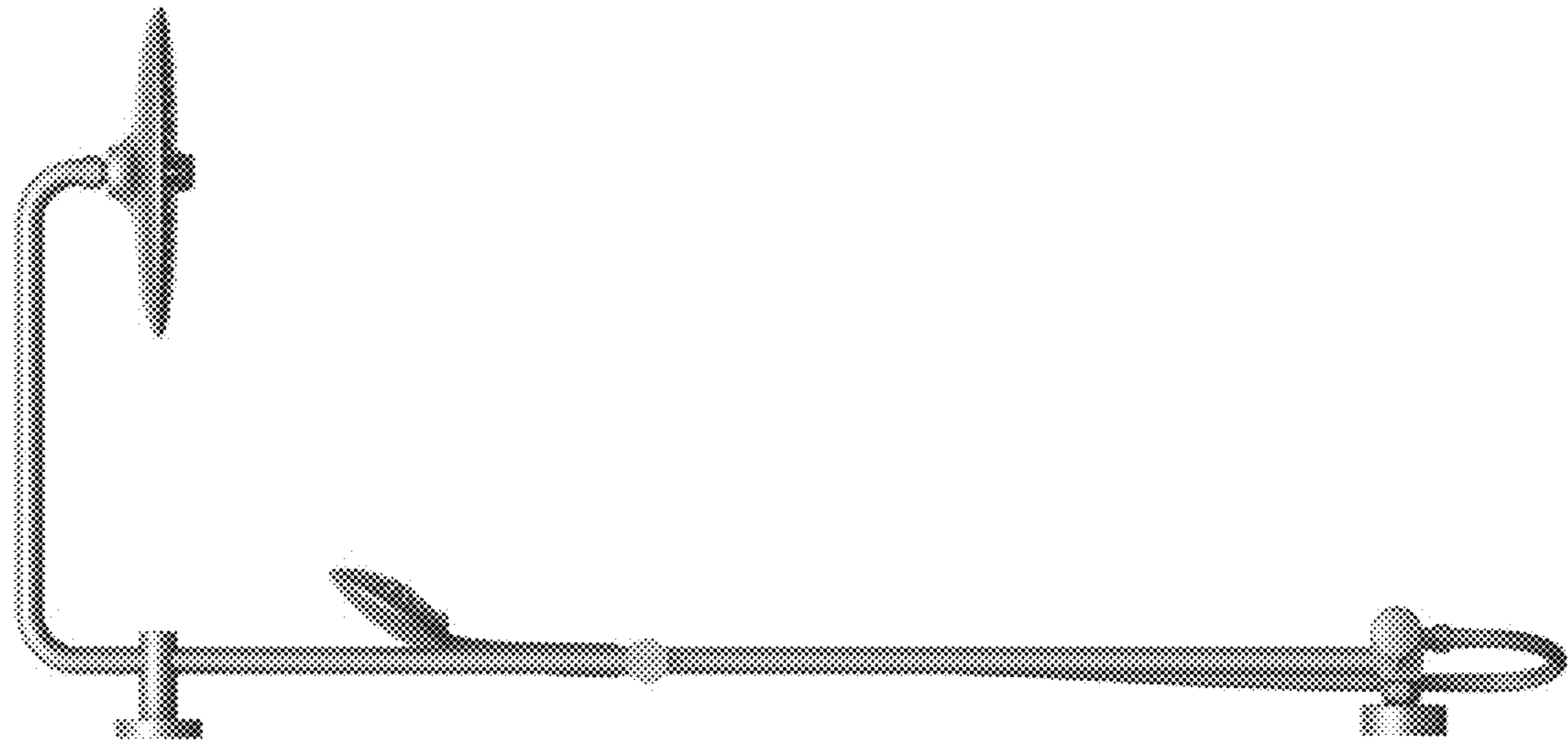


FIG. 2

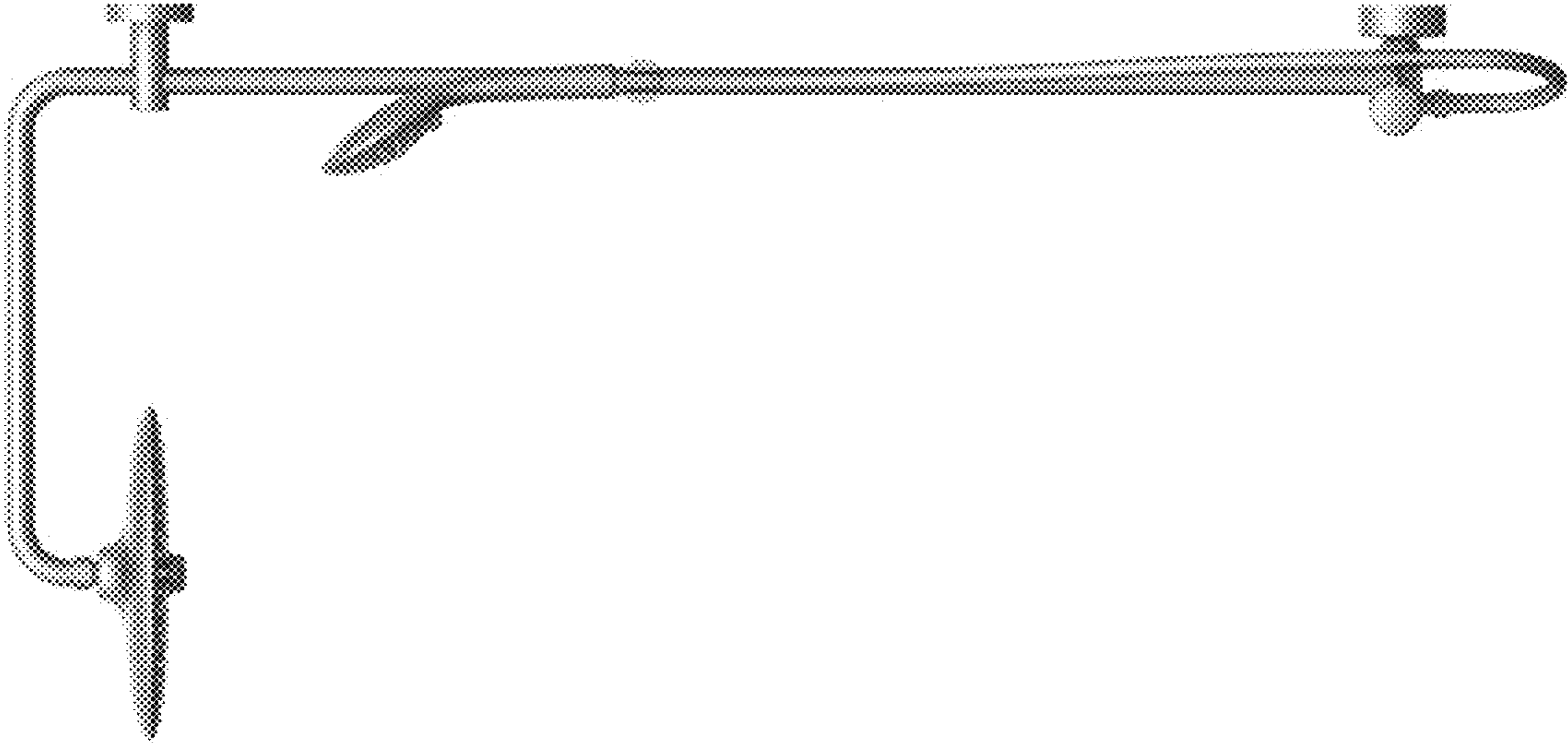


FIG. 3

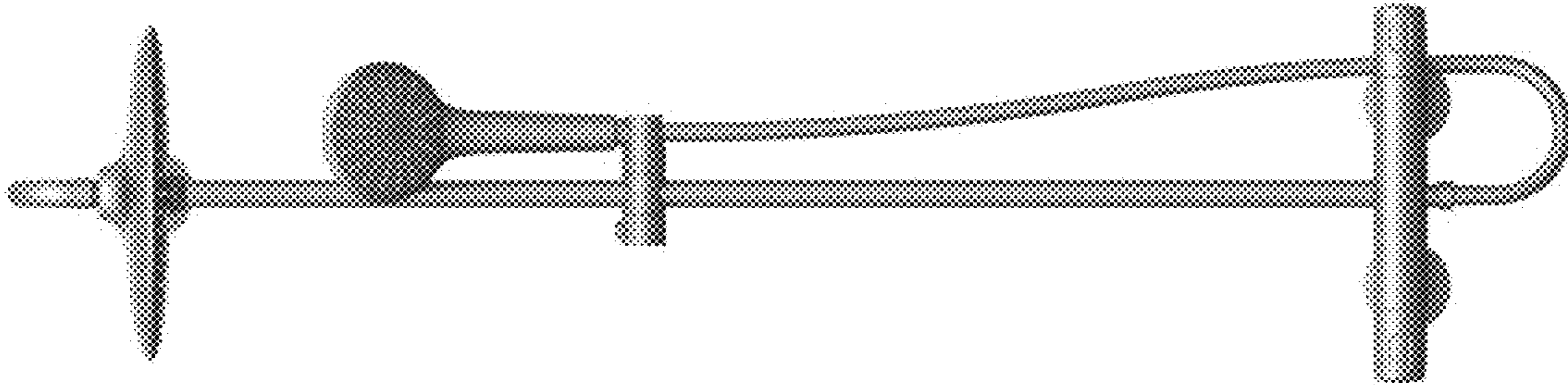


FIG. 4

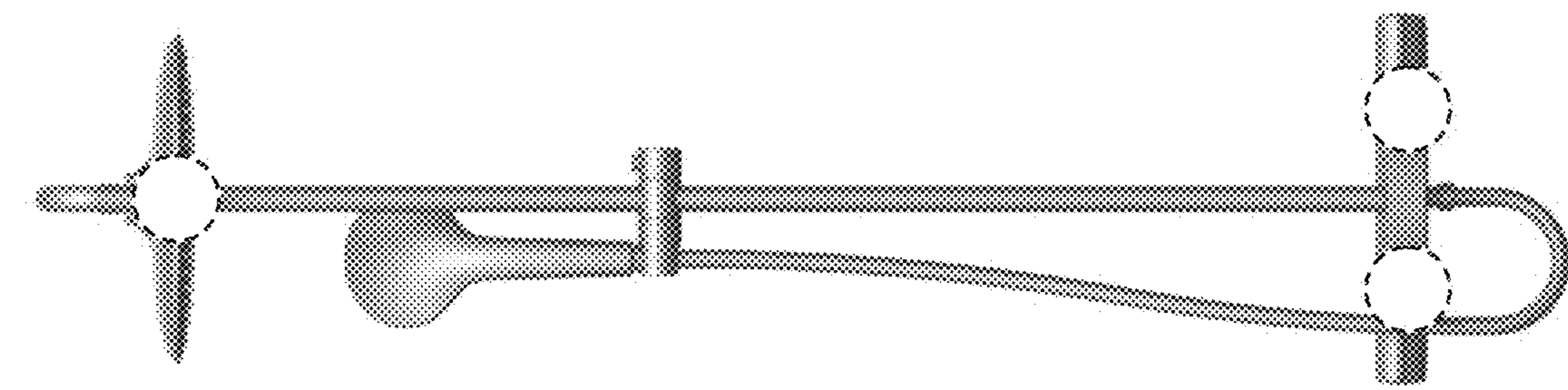


FIG. 5

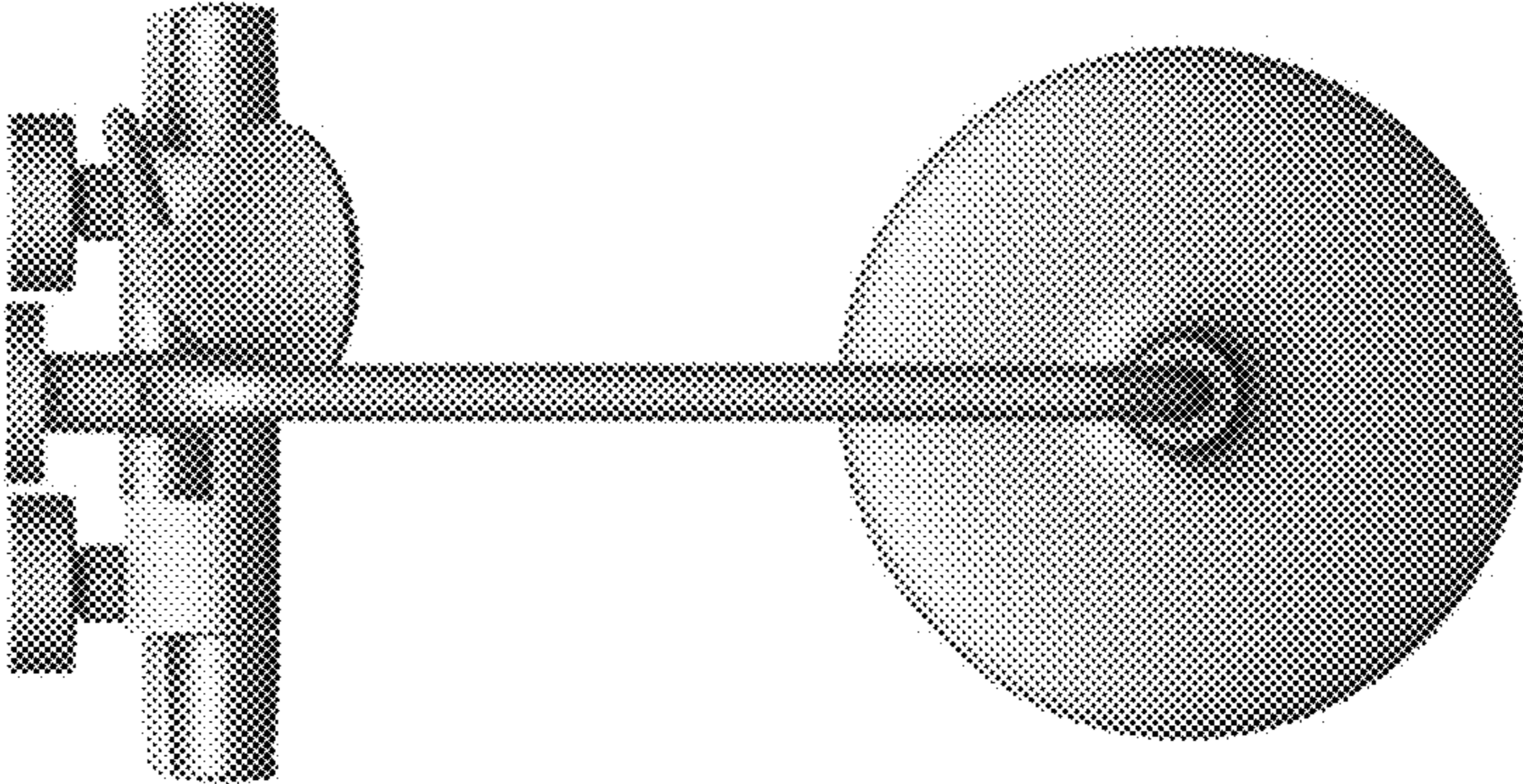


FIG. 6

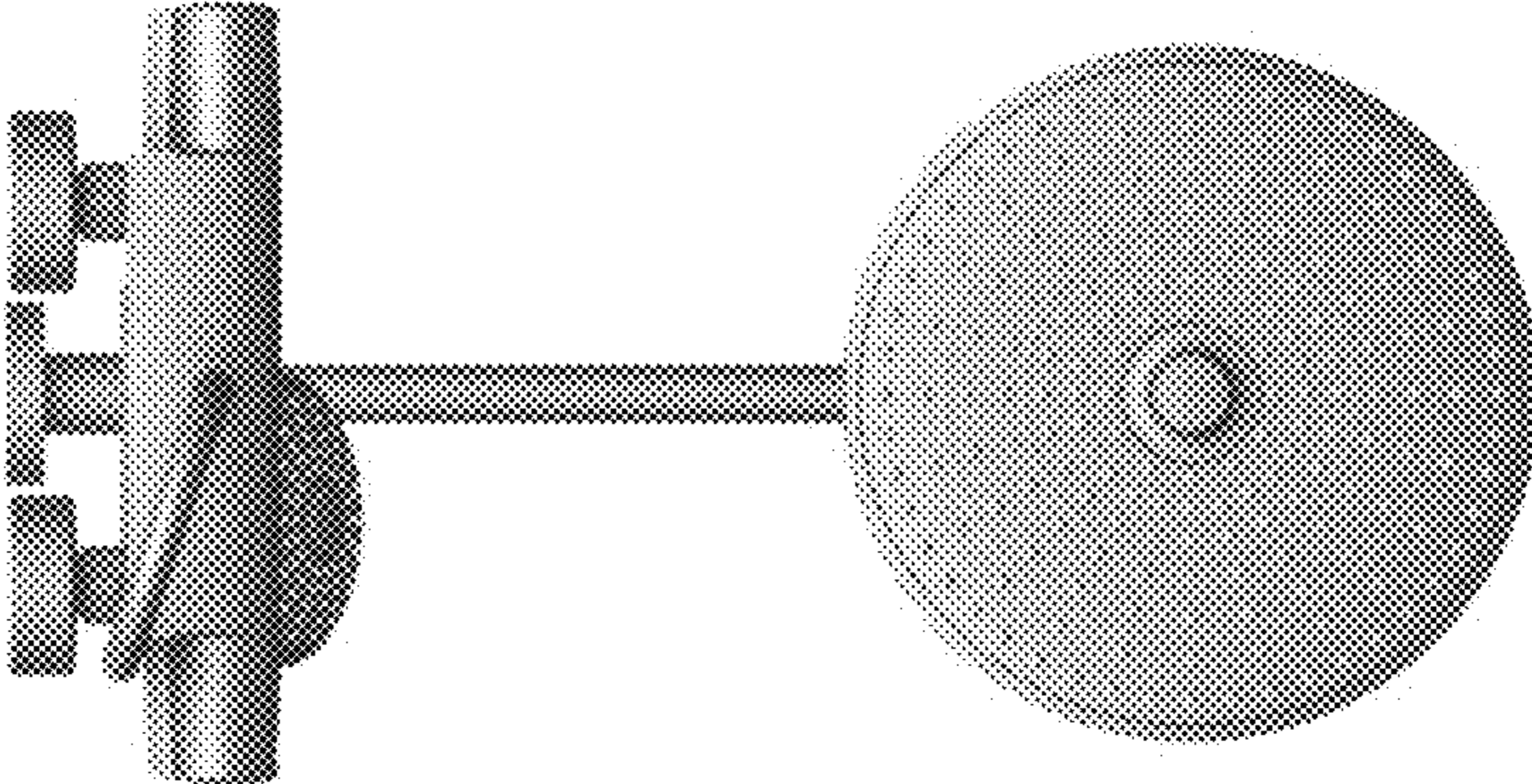


FIG. 7

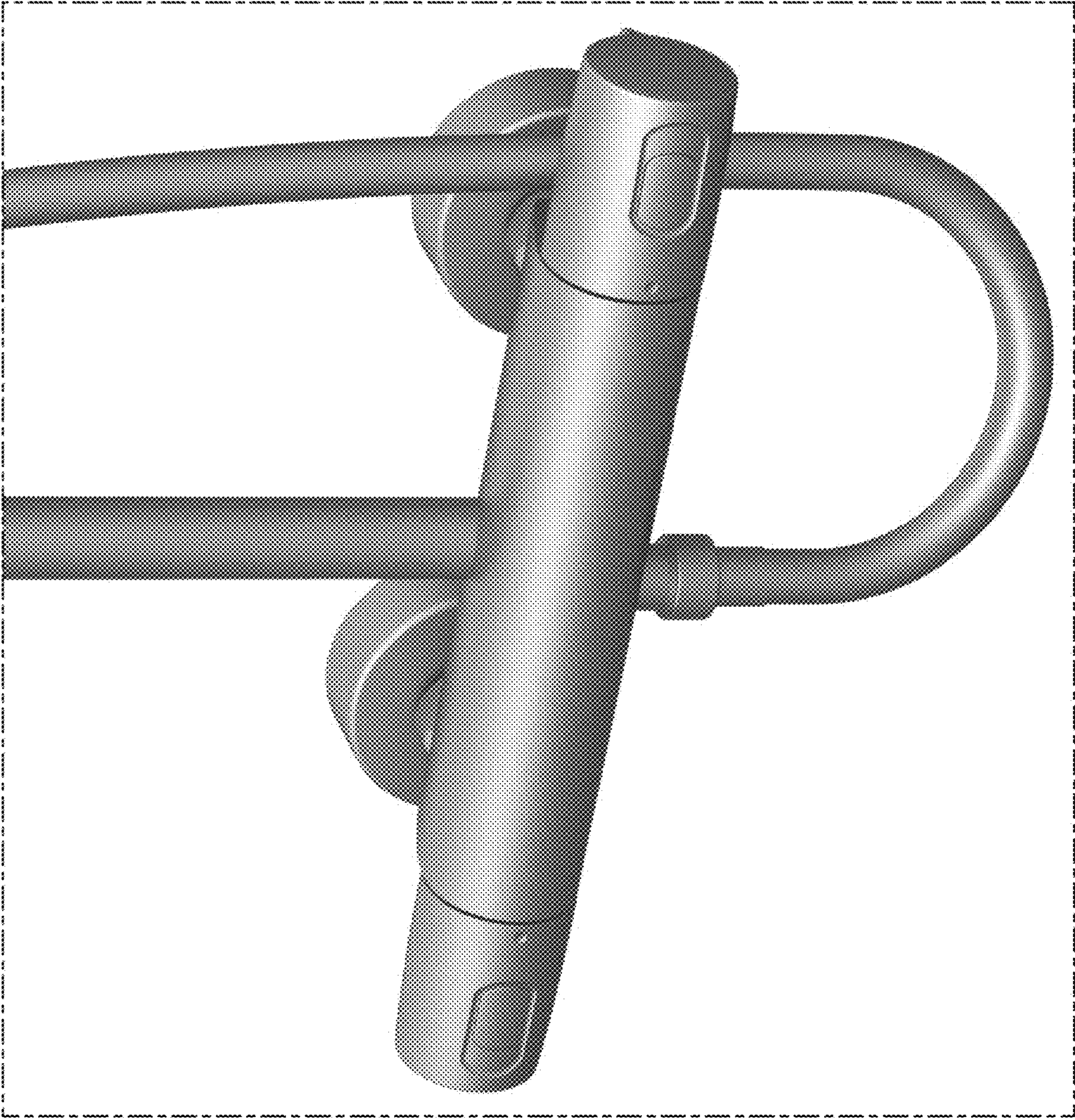


FIG. 8