



US00D982130S

(12) **United States Design Patent**
Timmann et al.

(10) **Patent No.:** **US D982,130 S**
(45) **Date of Patent:** **** Mar. 28, 2023**

(54) **TOILET RIM BLOCKS**

(71) Applicant: **Henkel AG & Co. KGaA**, Duesseldorf (DE)

(72) Inventors: **Ulf Arno Timmann**, Duesseldorf (DE); **Jens Leffler**, Kaarst (DE); **Katja Gerhards**, Duesseldorf (DE); **Tatiana Schymitzek**, Krefeld (DE); **Daniela Poethkow**, Krefeld (DE)

(73) Assignee: **Henkel AG & Co. KGaA**, Duesseldorf (DE)

(**) Term: **15 Years**

(21) Appl. No.: **29/752,079**

(22) Filed: **Sep. 24, 2020**

Related U.S. Application Data

(62) Division of application No. 29/651,254, filed on Apr. 25, 2018, now Pat. No. Des. 899,562.

(30) **Foreign Application Priority Data**

Oct. 26, 2017 (EM) 004422731

(51) **LOC (14) Cl.** **23-01**

(52) **U.S. Cl.**
USPC **D23/208**

(58) **Field of Classification Search**

USPC D23/200, 207, 208, 209
CPC .. B01D 35/143; B01D 35/30; B01D 19/0031;
B01D 29/90; B01D 29/27; B01D 29/56

See application file for complete search history.

(56) **References Cited**

U.S. PATENT DOCUMENTS

D806,208 S * 12/2017 Gerhards D23/208
D830,502 S * 10/2018 Nykowski D23/208
D898,162 S * 10/2020 Tomczyk D23/208
D899,562 S * 10/2020 Timmann D23/208
2020/0123754 A1 * 4/2020 Kessler E03D 5/105

* cited by examiner

Primary Examiner — John A Voytek

(74) *Attorney, Agent, or Firm* — Bojuan Deng

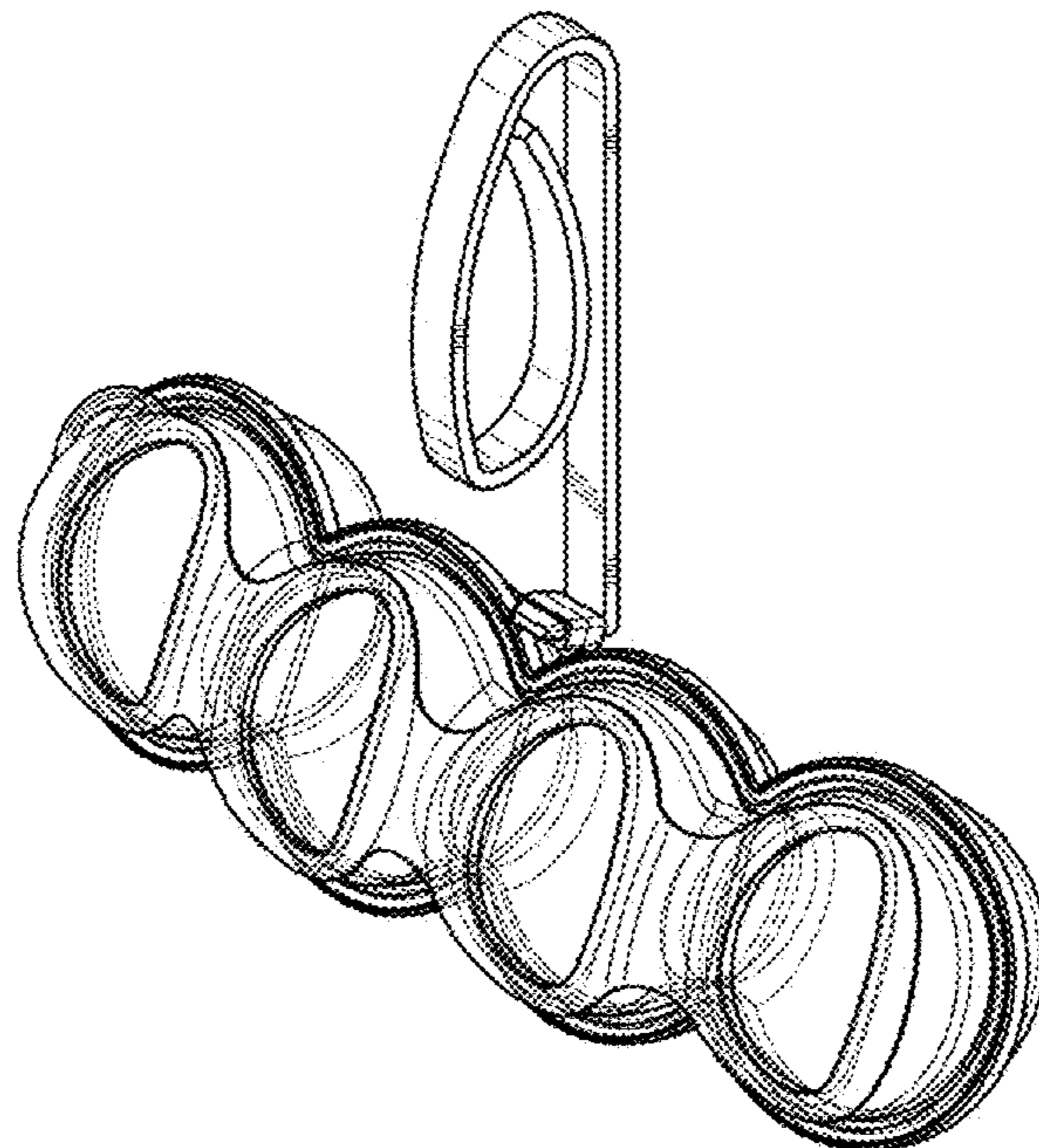
(57) **CLAIM**

The ornamental design for the toilet rim blocks, as shown and described.

DESCRIPTION

FIG. 1 is a front perspective view of a first embodiment of toilet rim blocks embodying our new design; FIG. 2 is a front side elevation view of the first embodiment; FIG. 3 is a rear side elevation view of the first embodiment; FIG. 4 is a right side elevation view of the first embodiment; FIG. 5 is a left side elevation view of the first embodiment; FIG. 6 is a top plan view of the first embodiment; and, FIG. 7 is a bottom plan view of the first embodiment; FIG. 8 is a front perspective view of a second embodiment of toilet rim blocks embodying our new design; FIG. 9 is a front side elevation view of the second embodiment; FIG. 10 is a rear side elevation view of the second embodiment; FIG. 11 is a right side elevation view of the second embodiment; FIG. 12 is a left side elevation view of the second embodiment; FIG. 13 is a top plan view of the second embodiment; and, FIG. 14 is a bottom plan view of the second embodiment.

1 Claim, 14 Drawing Sheets



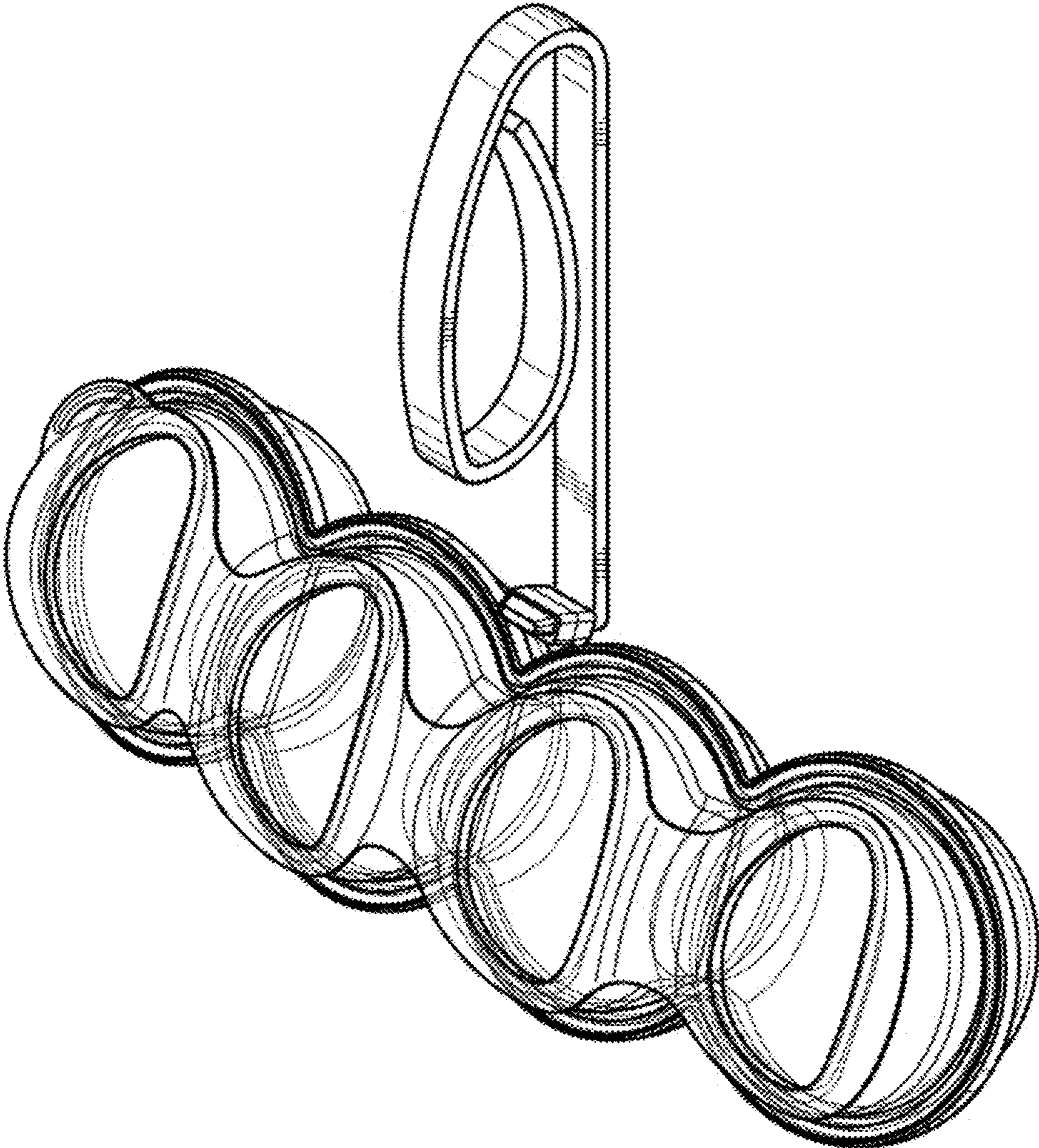


FIG. 1

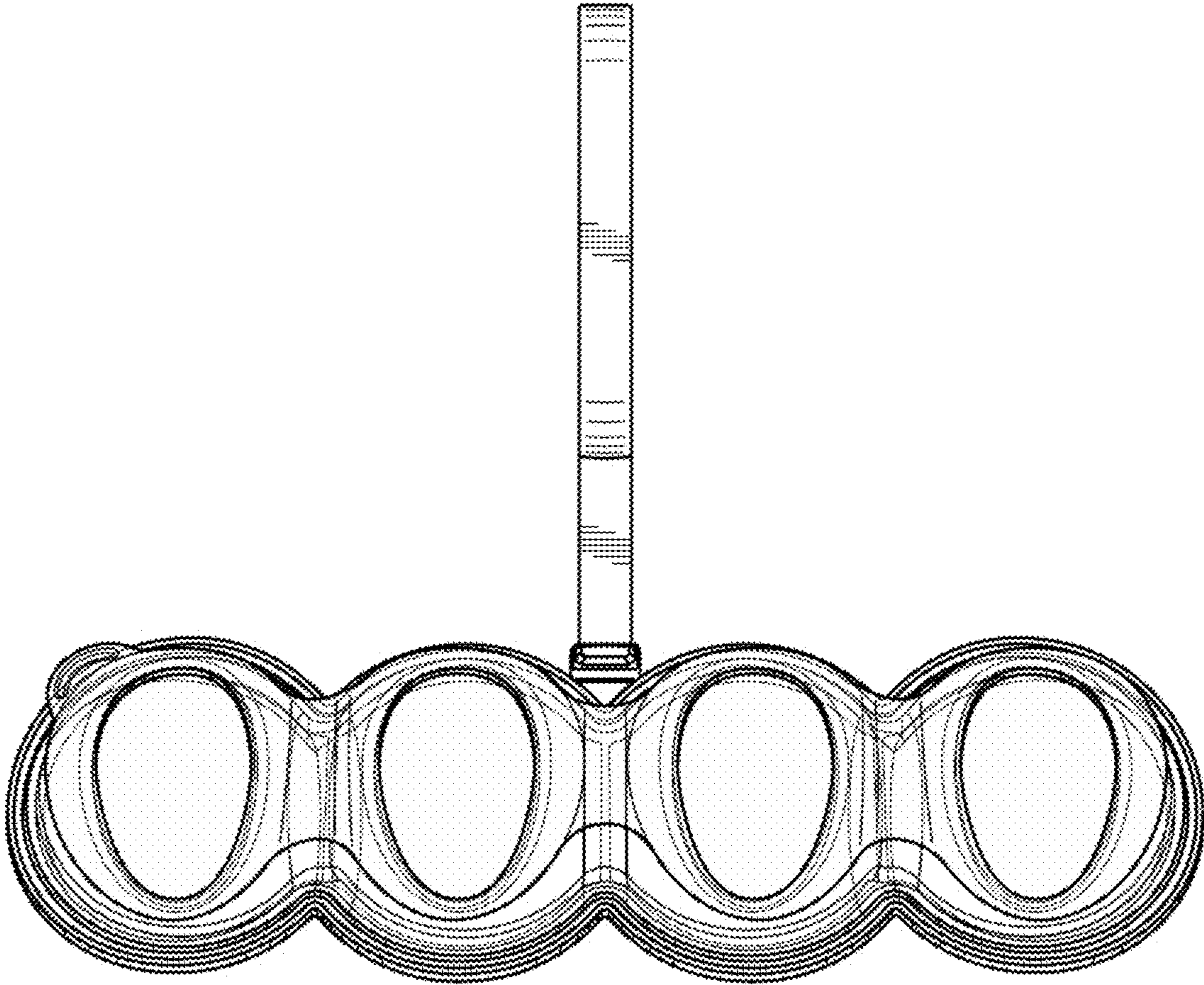


FIG. 2

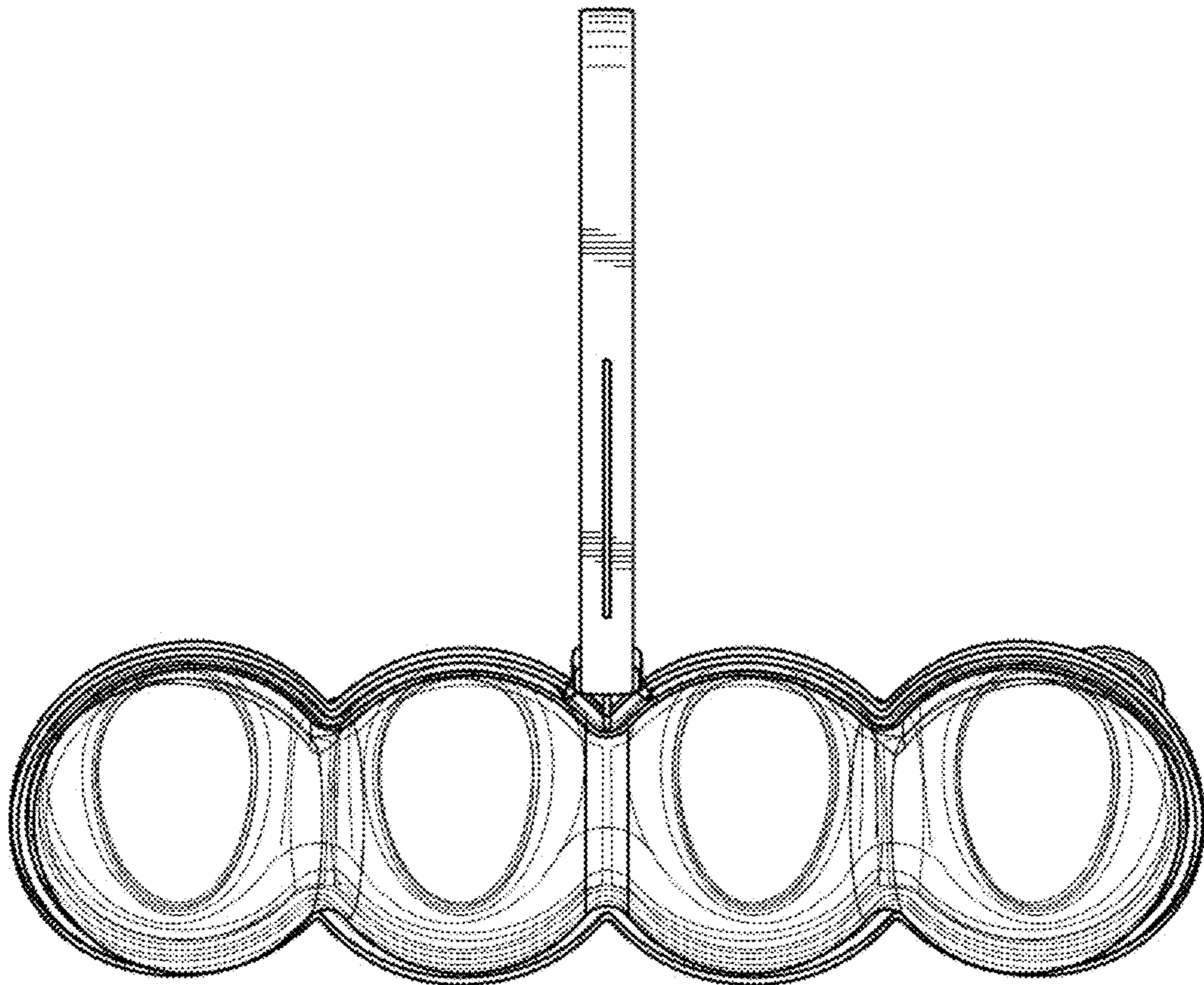


FIG. 3

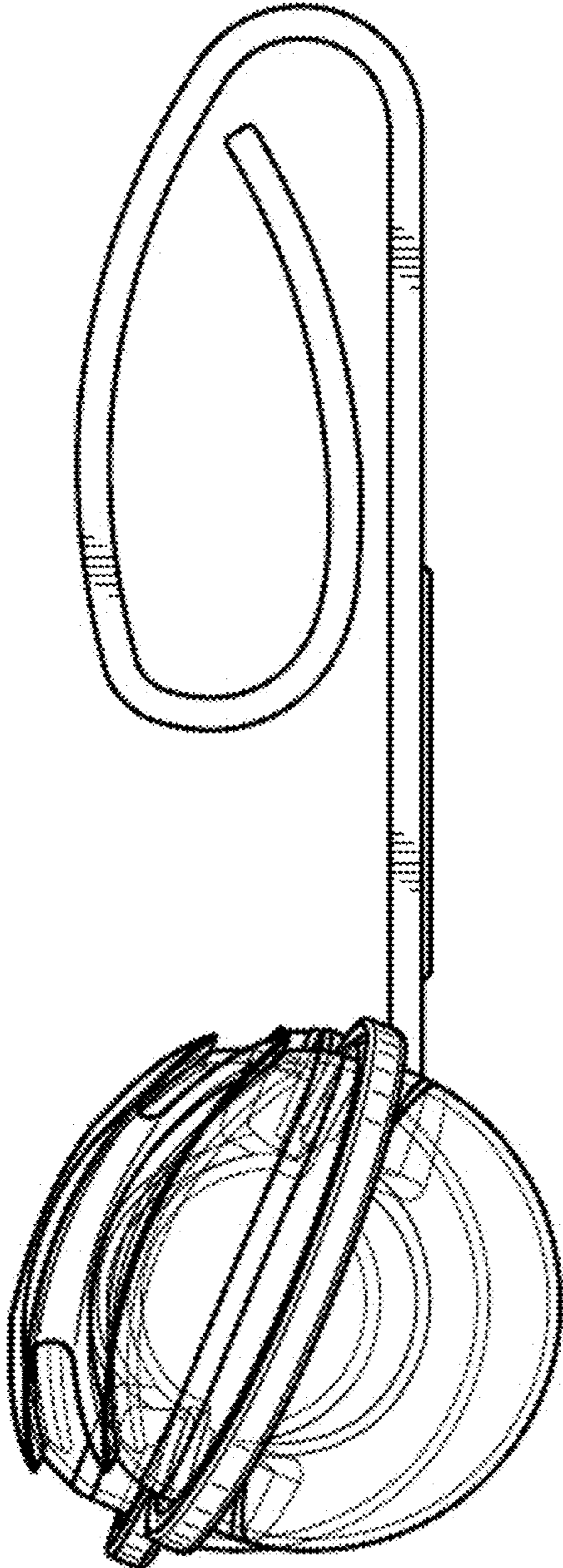


FIG. 4

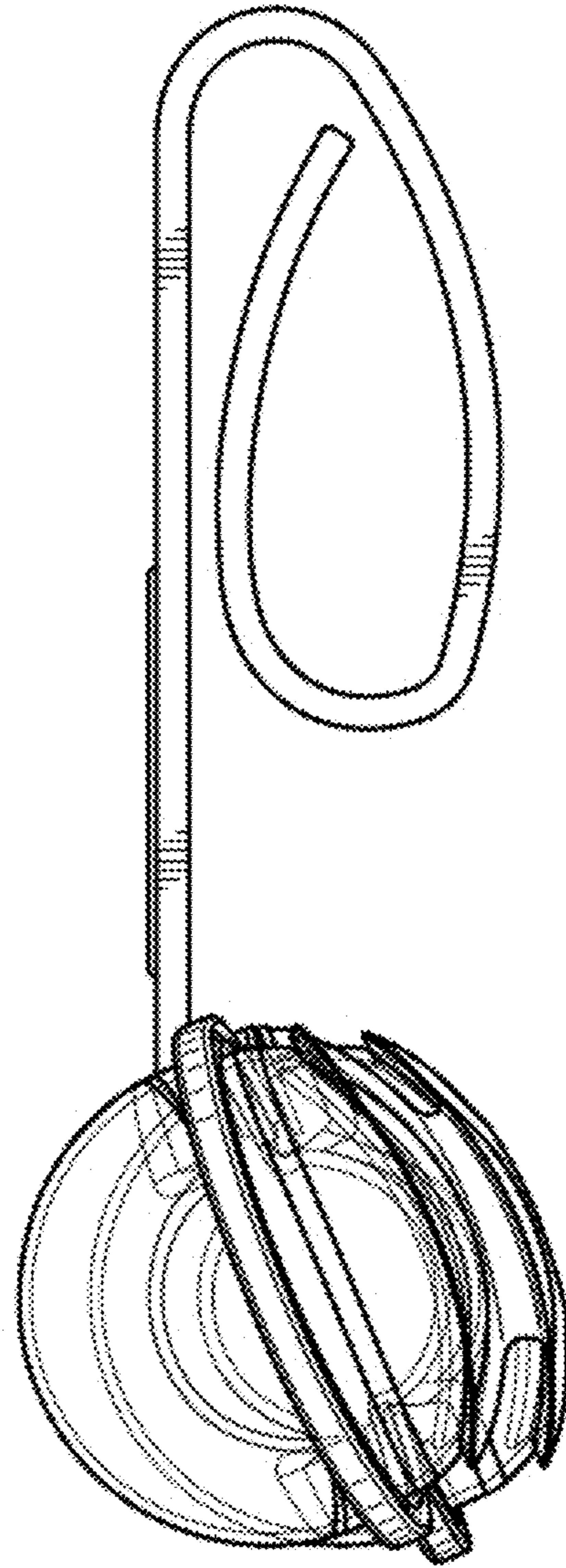


FIG. 5

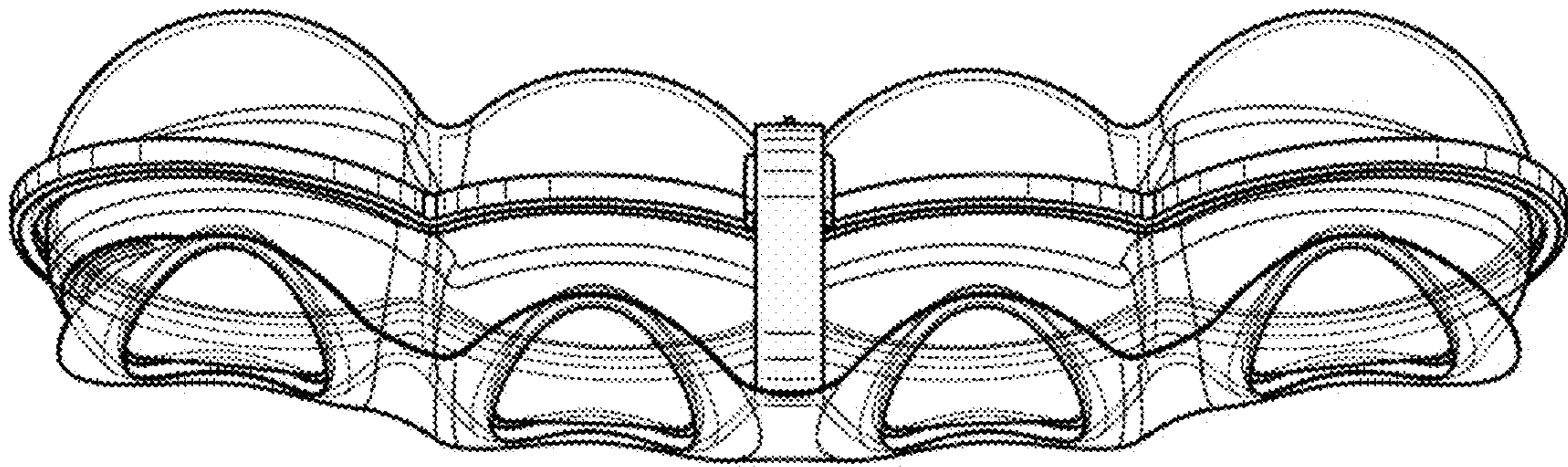


FIG. 6

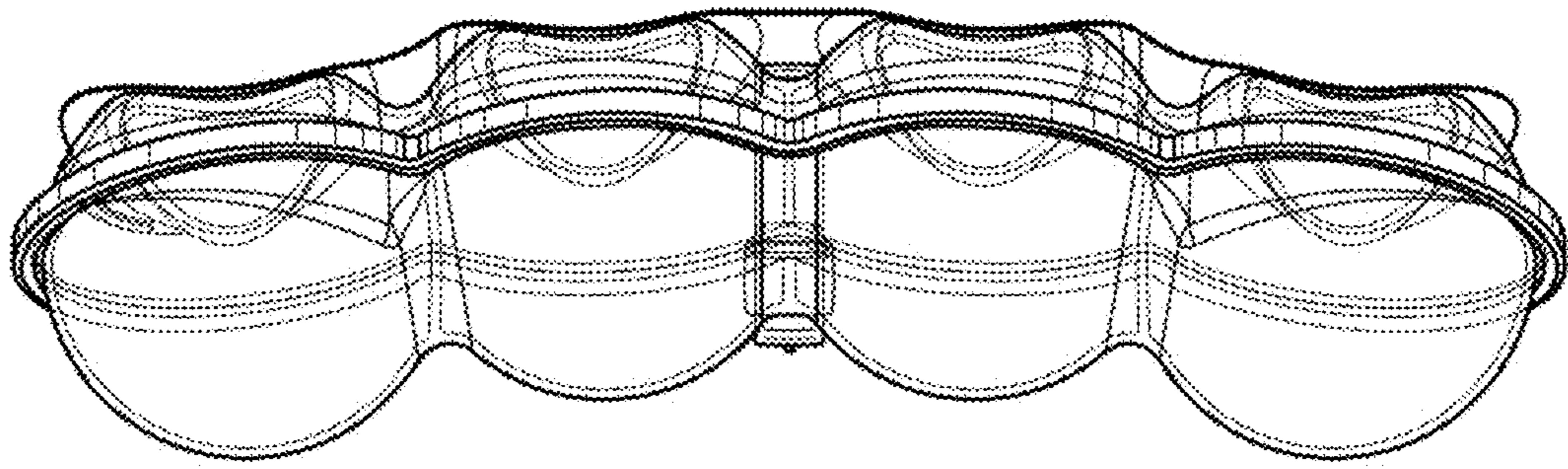


FIG. 7

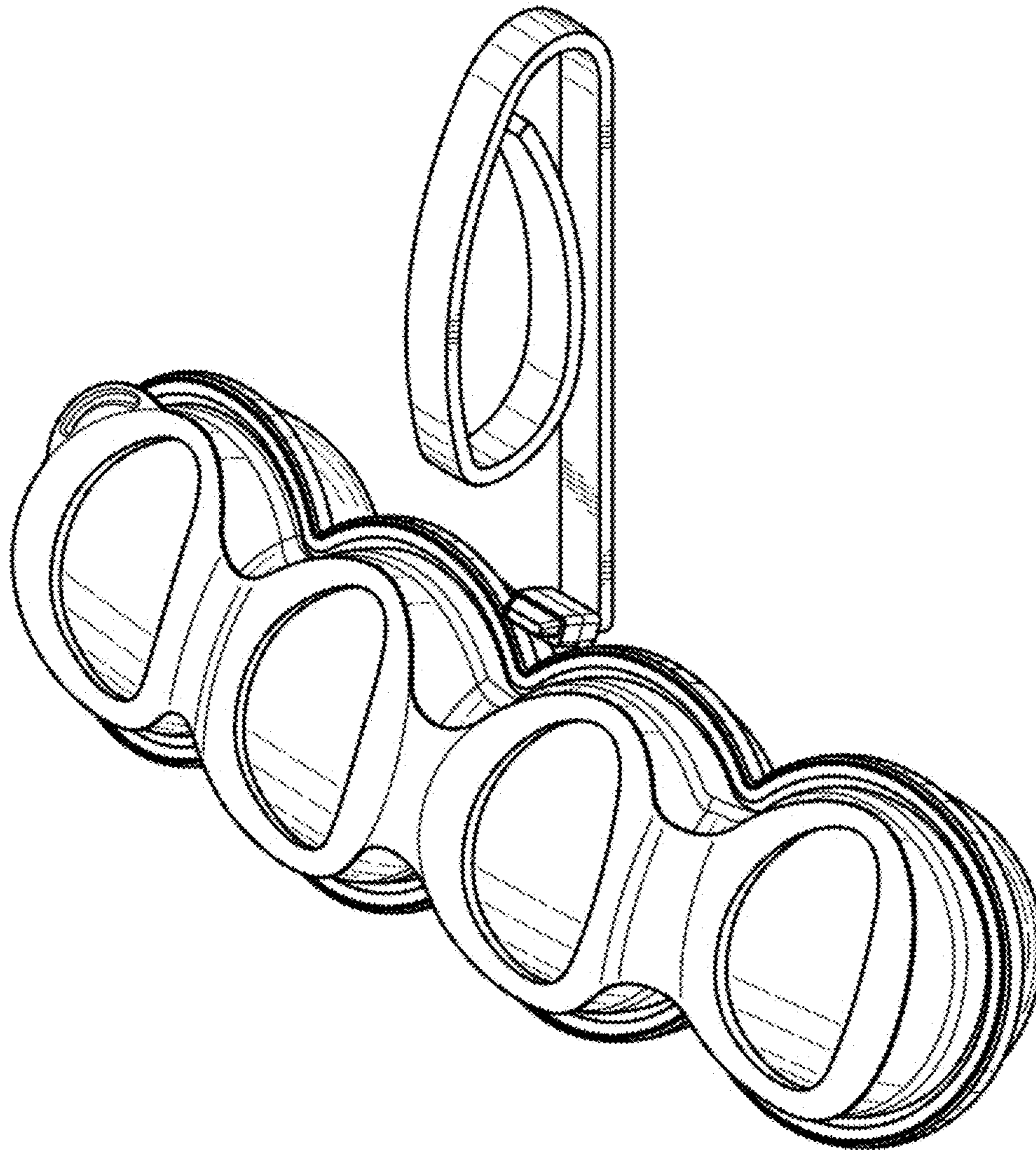


FIG. 8

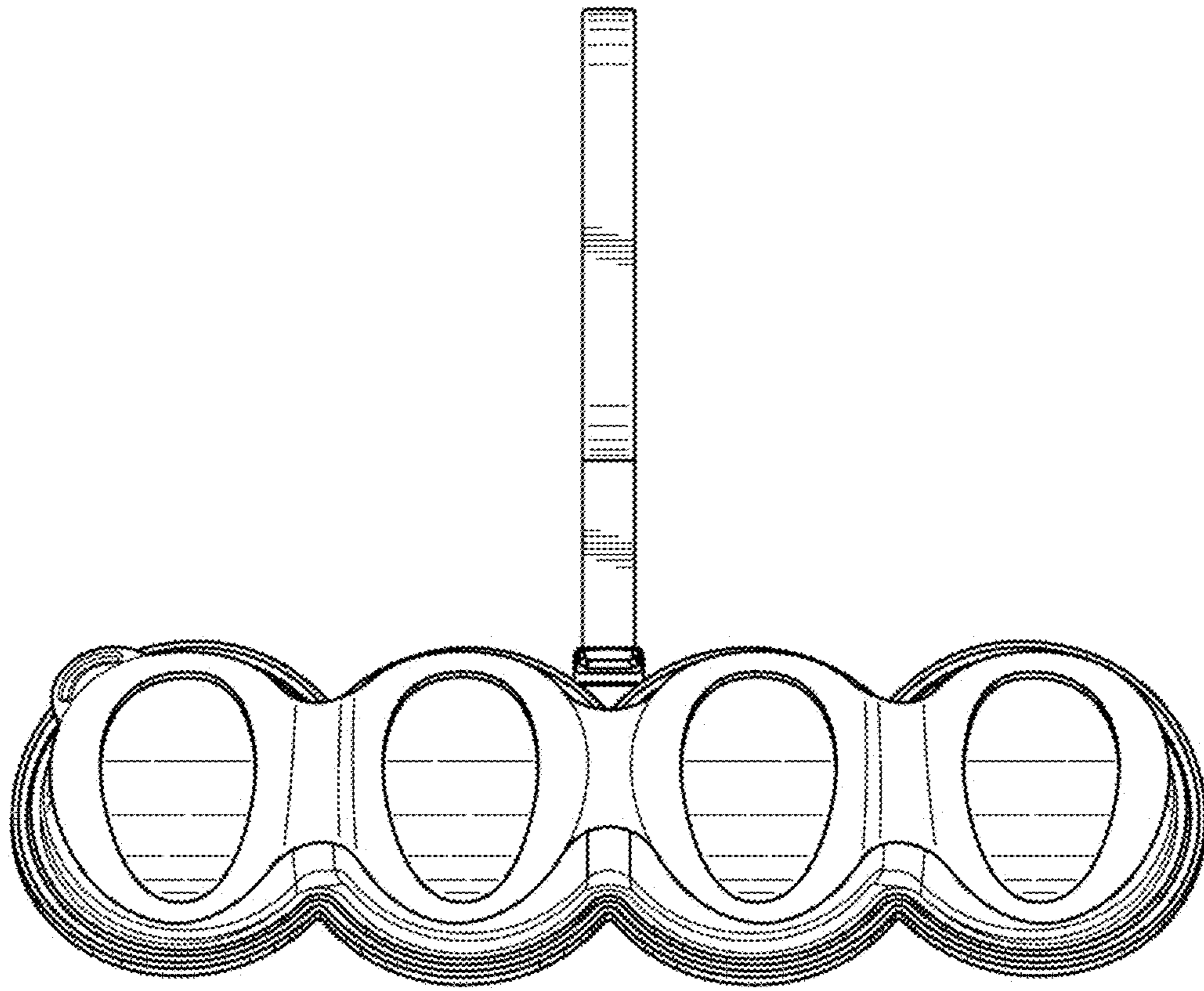


FIG. 9

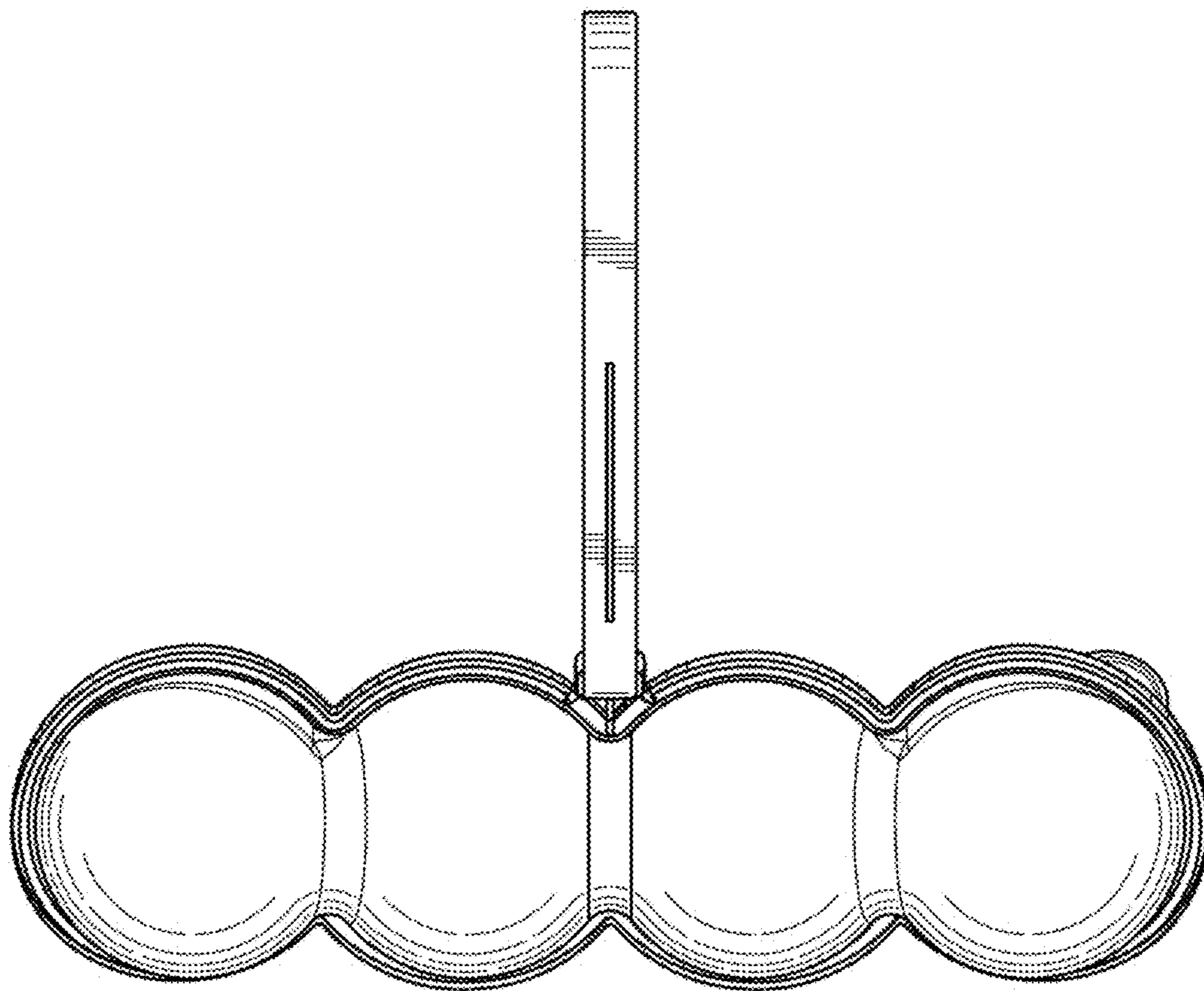


FIG. 10

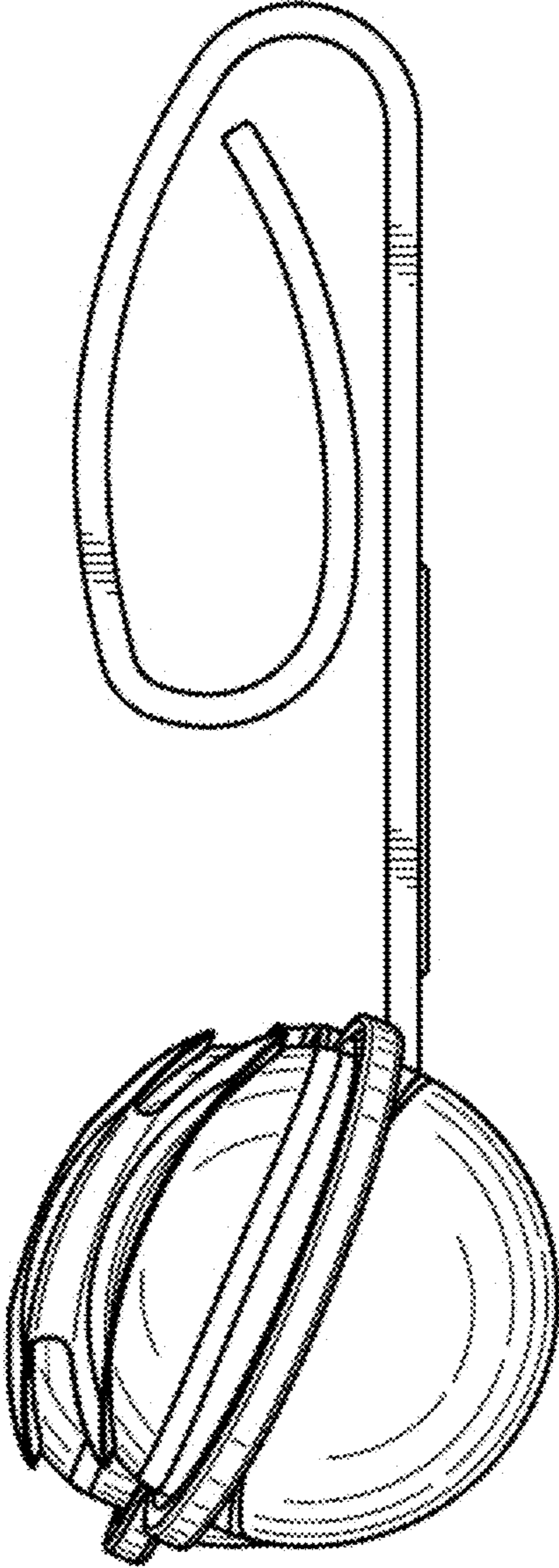


FIG. 11

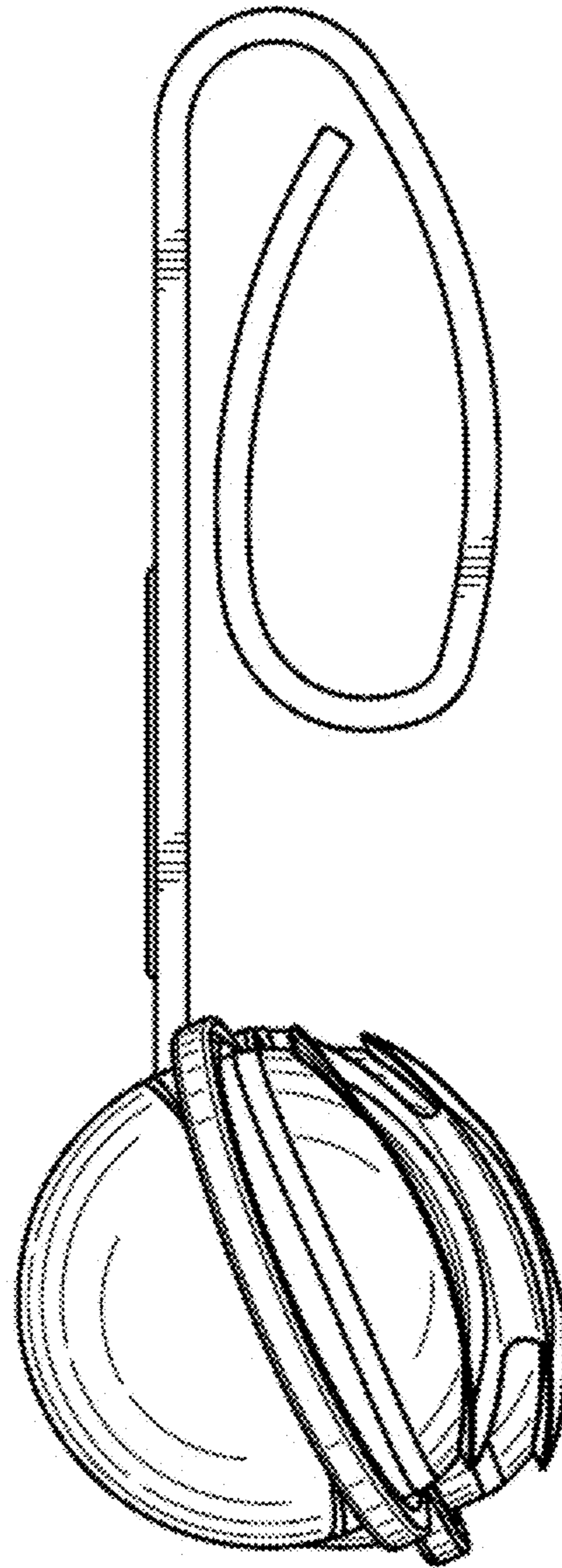


FIG. 12

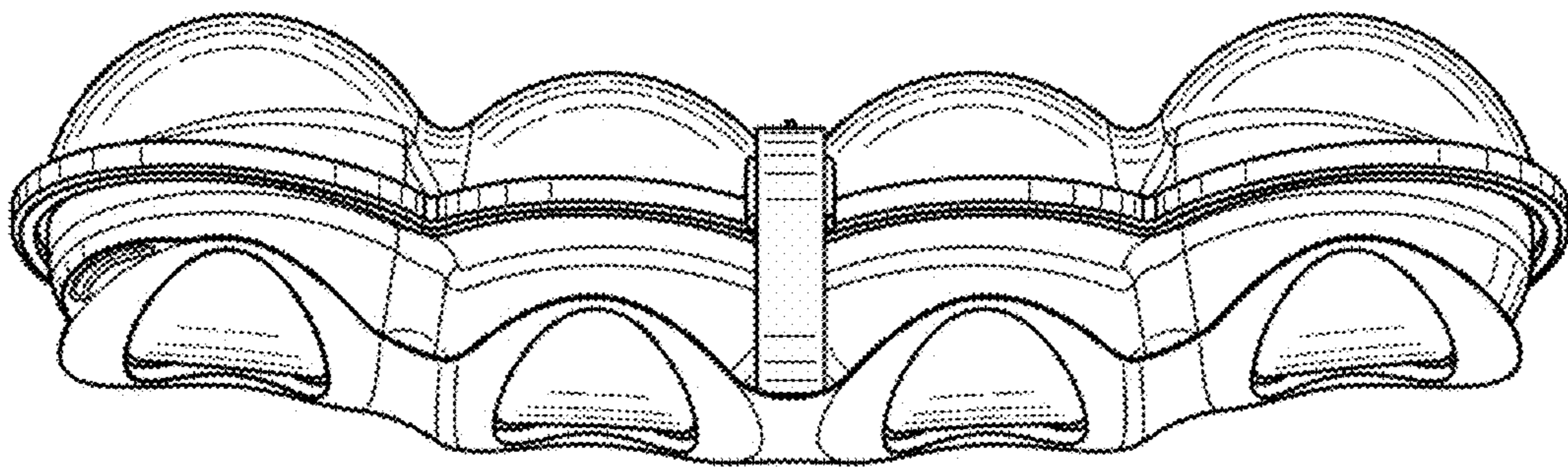


FIG. 13

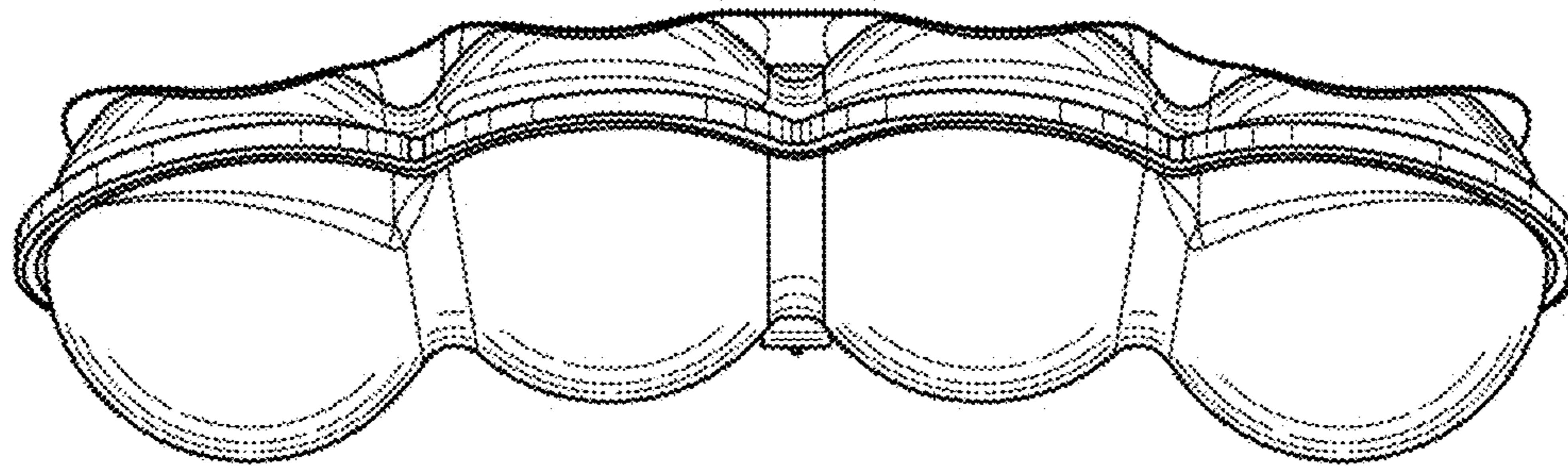


FIG. 14