



US00D982129S

(12) **United States Design Patent**
Yang

(10) **Patent No.:** **US D982,129 S**
(45) **Date of Patent:** **** Mar. 28, 2023**

(54) **FOG MACHINE**

(71) Applicant: **SHENZHEN HENGSHENGHUI NETWORK TECHNOLOGY CO., LTD.**, Shenzhen (CN)

(72) Inventor: **Hanfan Yang**, Shenzhen (CN)

(73) Assignee: **SHENZHEN HENGSHENGHUI NETWORK TECHNOLOGY CO., LTD.**, Shenzhen (CN)

(**) Term: **15 Years**

(21) Appl. No.: **29/840,979**

(22) Filed: **Jun. 2, 2022**

(51) **LOC (14) Cl.** **23-01**

(52) **U.S. Cl.**
USPC **D23/200**

(58) **Field of Classification Search**
USPC D23/200, 201, 213, 225, 356, 360, 366;
D21/401; D26/61, 63
CPC A63J 5/025; A63J 2005/026; F41H 9/06;
F21W 2131/406; F21S 10/00
See application file for complete search history.

(56) **References Cited**

U.S. PATENT DOCUMENTS

D629,947 S *	12/2010	Carpenter	D26/63
D699,318 S *	2/2014	Hung	D23/200
10,156,353 B2 *	12/2018	Chang	A63J 5/025
D886,270 S *	6/2020	Walton	D23/359
D907,740 S *	1/2021	Xu	D15/199
D909,647 S *	2/2021	Zhong	D26/63
D928,379 S *	8/2021	Song	D26/63
11,173,415 B1 *	11/2021	Yang	A63H 33/28
D947,986 S *	4/2022	Wang	D23/200
D957,528 S *	7/2022	Yang	D21/401
D965,098 S *	9/2022	Yang	D23/200

2016/0023123 A1 *	1/2016	Chang	F22B 1/282 392/397
2017/0363283 A1 *	12/2017	Chang	A63J 5/025
2019/0321744 A1 *	10/2019	Xu	A63J 5/025
2020/0317518 A1 *	10/2020	Schmidt	A61L 9/12

FOREIGN PATENT DOCUMENTS

EM 008870414-0001 * 3/2022

OTHER PUBLICATIONS

Mosfiata Fog Machine with Disco Ball Lights, Aug. 12, 2021, Amazon, site visited Nov. 3, 2022: <https://www.amazon.com/dp/B09CG64JLW/> (Year: 2021).
Fog Machine JDR, Jun. 6, 2019, Amazon, site visited Nov. 3, 2022: <https://www.amazon.com/dp/B07R8PMQ5X/> (Year: 2019).*

* cited by examiner

Primary Examiner — Jack Reickel
Assistant Examiner — Bobby W Jones, II

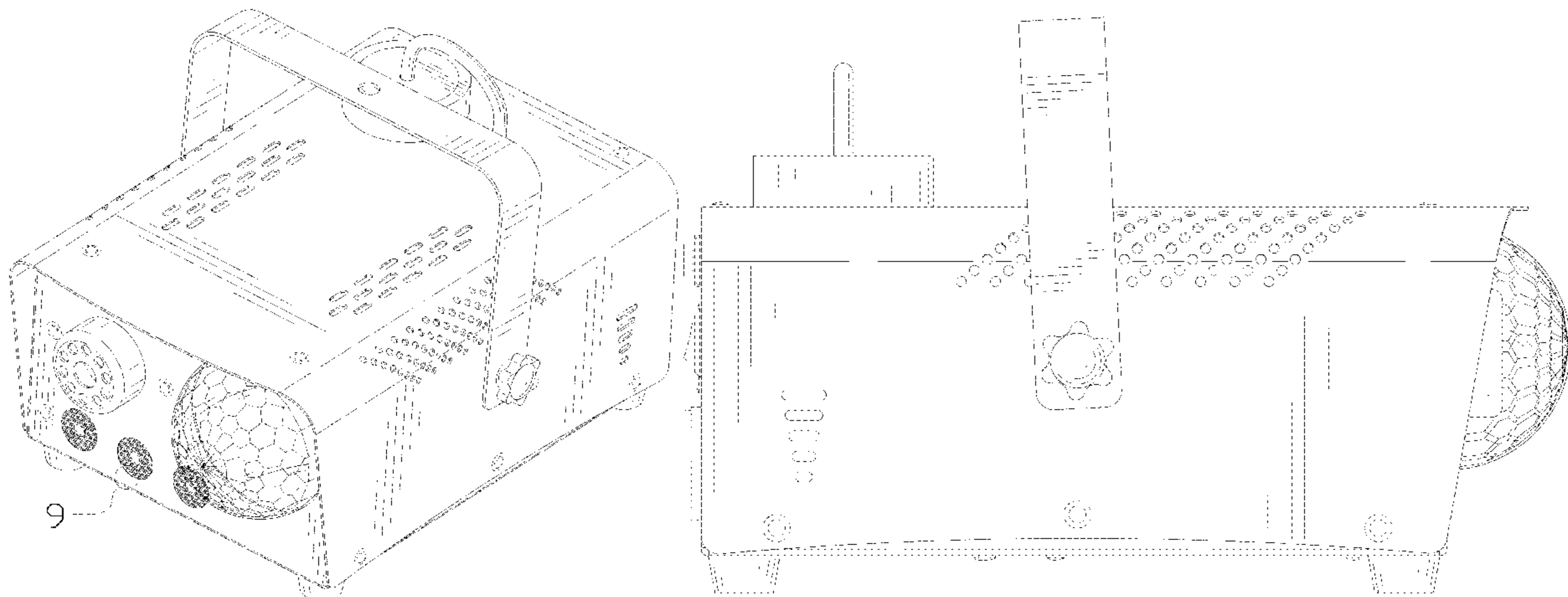
(57) **CLAIM**

The ornamental design for a fog machine, as shown and described.

DESCRIPTION

FIG. 1 is a perspective view of a fog machine showing my new design;
FIG. 2 is another perspective view thereof;
FIG. 3 is a front elevational view thereof;
FIG. 4 is a rear elevational view thereof;
FIG. 5 is a left side elevational view thereof;
FIG. 6 is a right side elevational view thereof;
FIG. 7 is a top plan view thereof;
FIG. 8 is a bottom plan view thereof; and,
FIG. 9 is an enlarged view of portion 9 shown in FIG. 1.
The dash-dash broken lines in the drawings depict portions of the fog machine that form no part of the claimed design. The dot-dash broken lines represent the boundary of the enlarged portion and form no part of the claimed design.

1 Claim, 9 Drawing Sheets



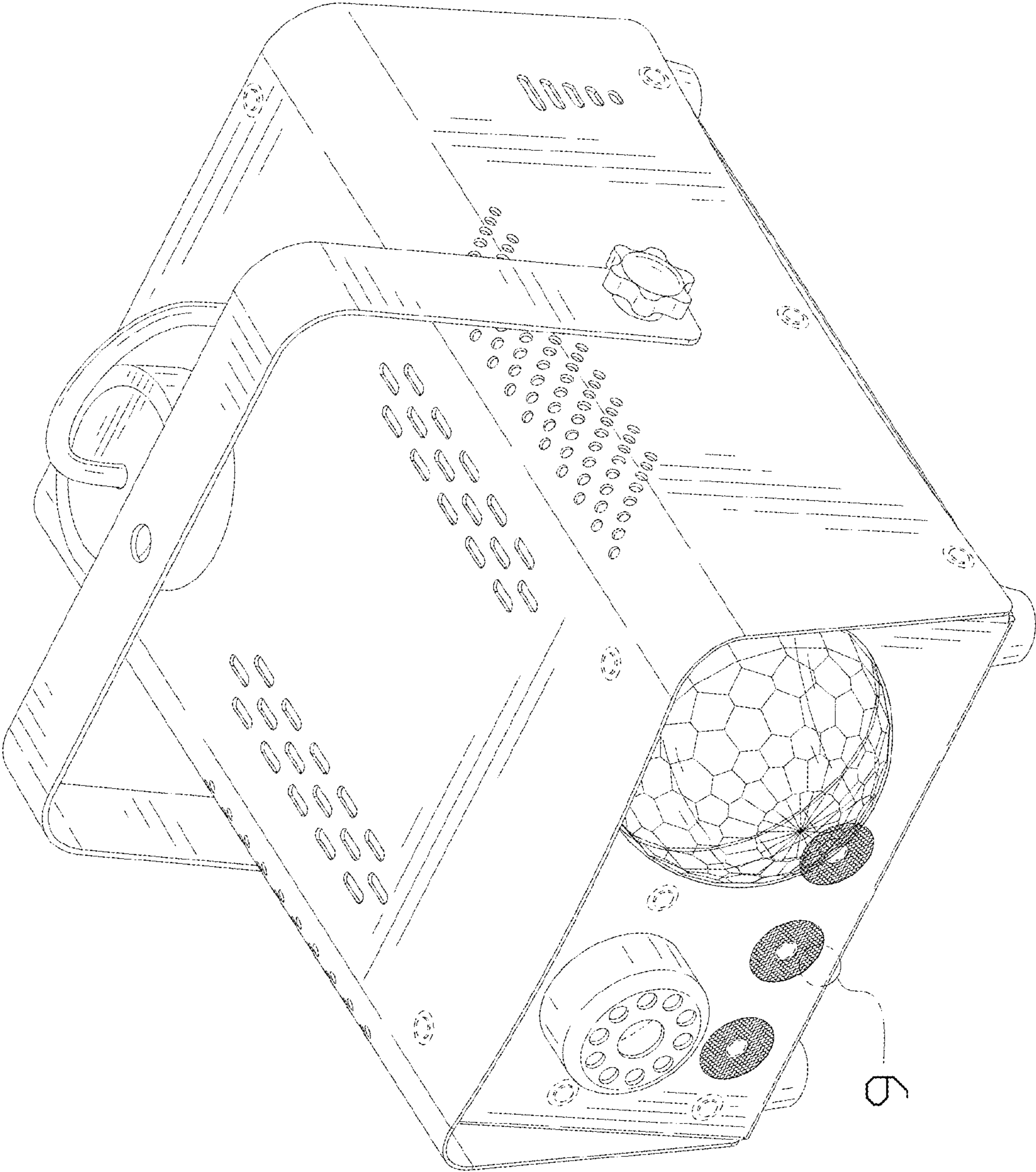


FIG. 1

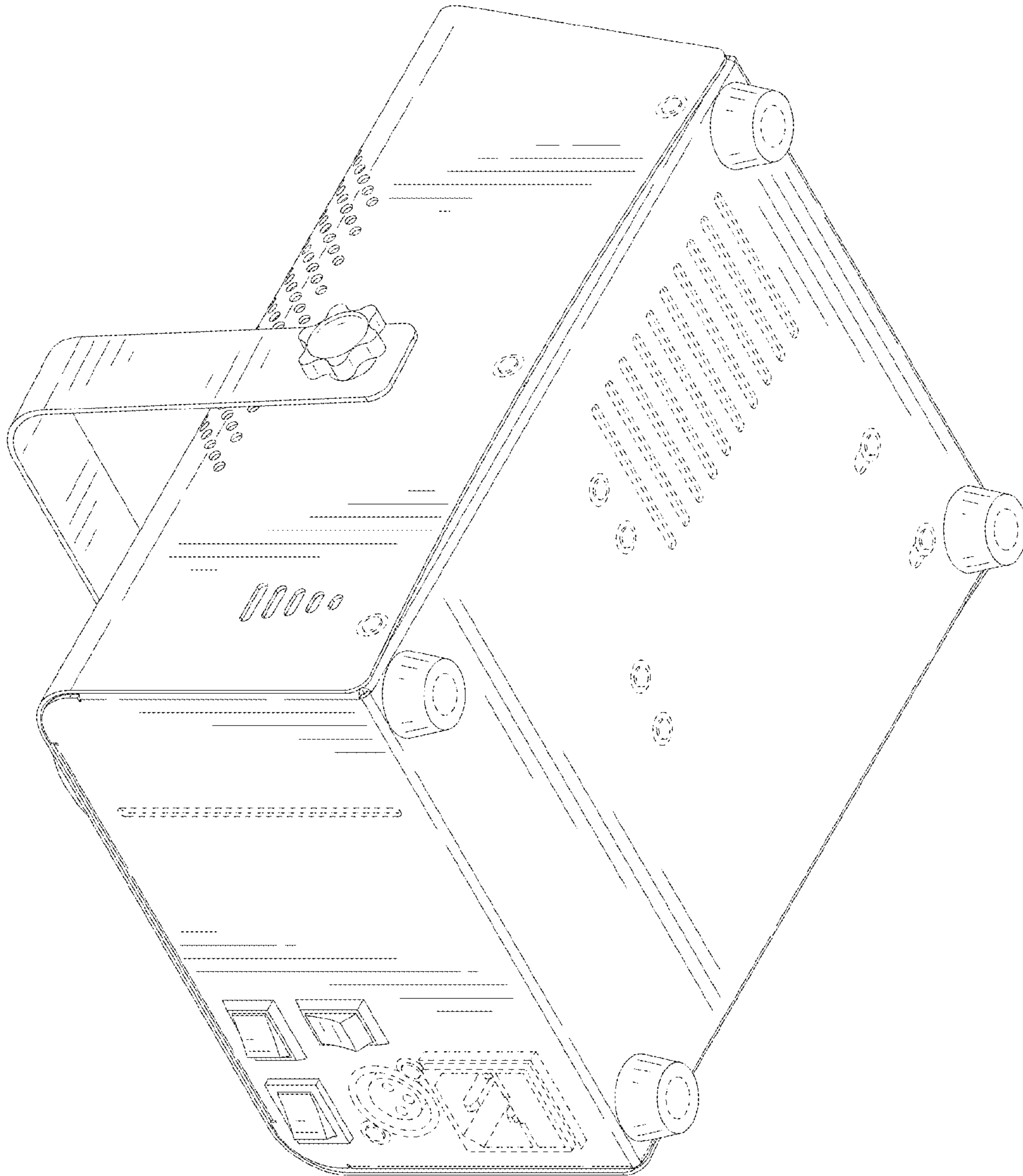


FIG. 2

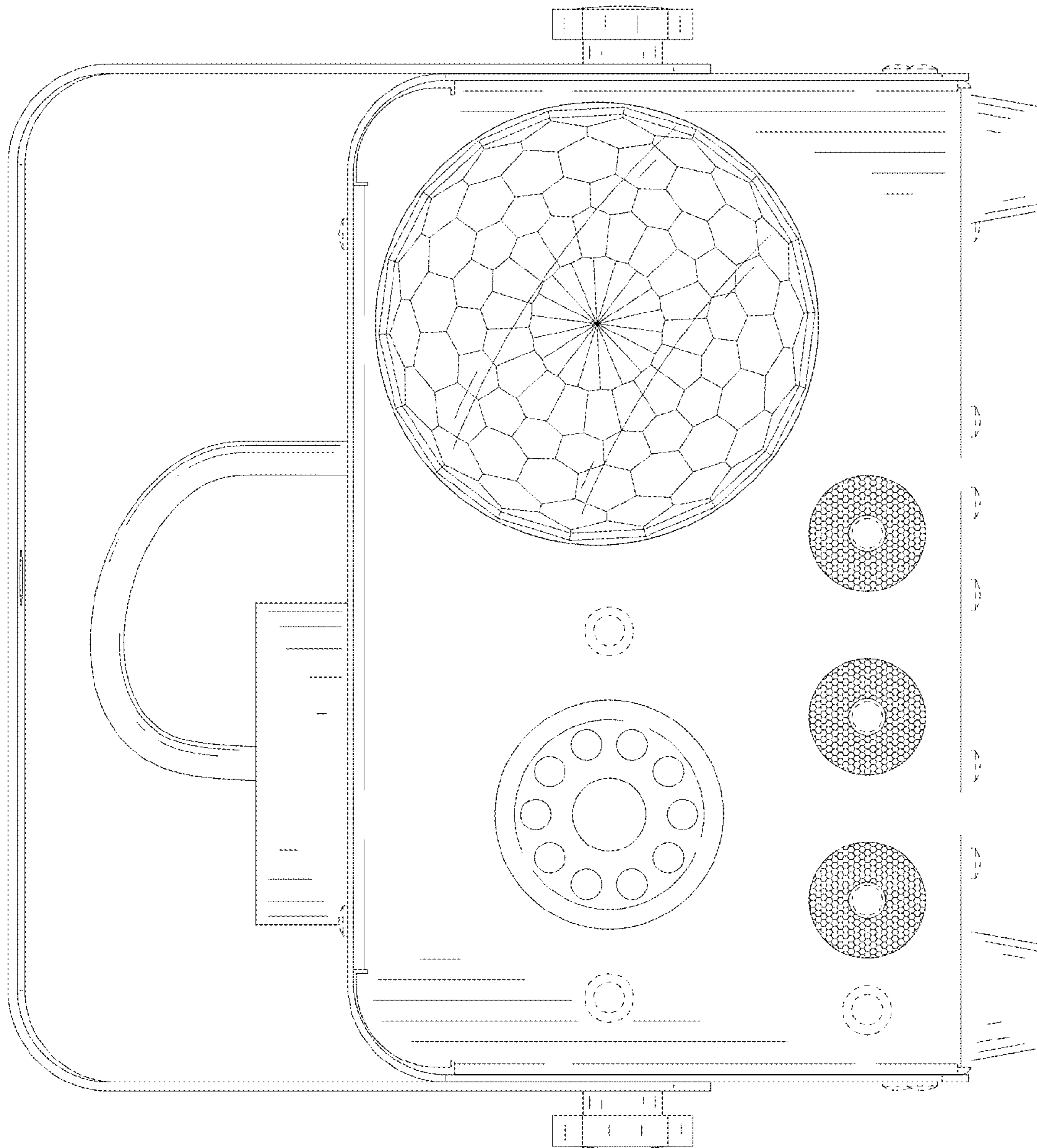


FIG. 3

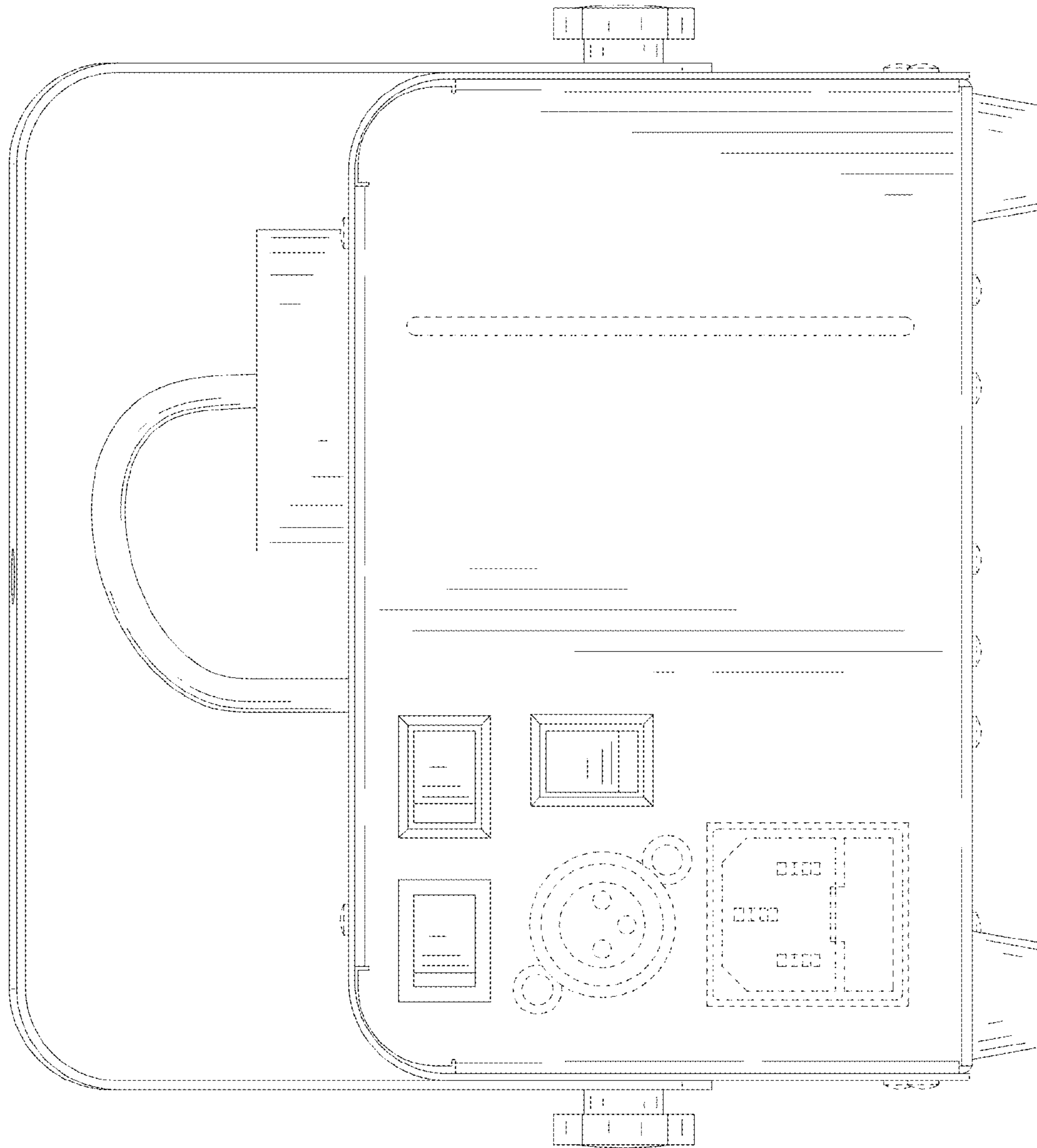


FIG. 4

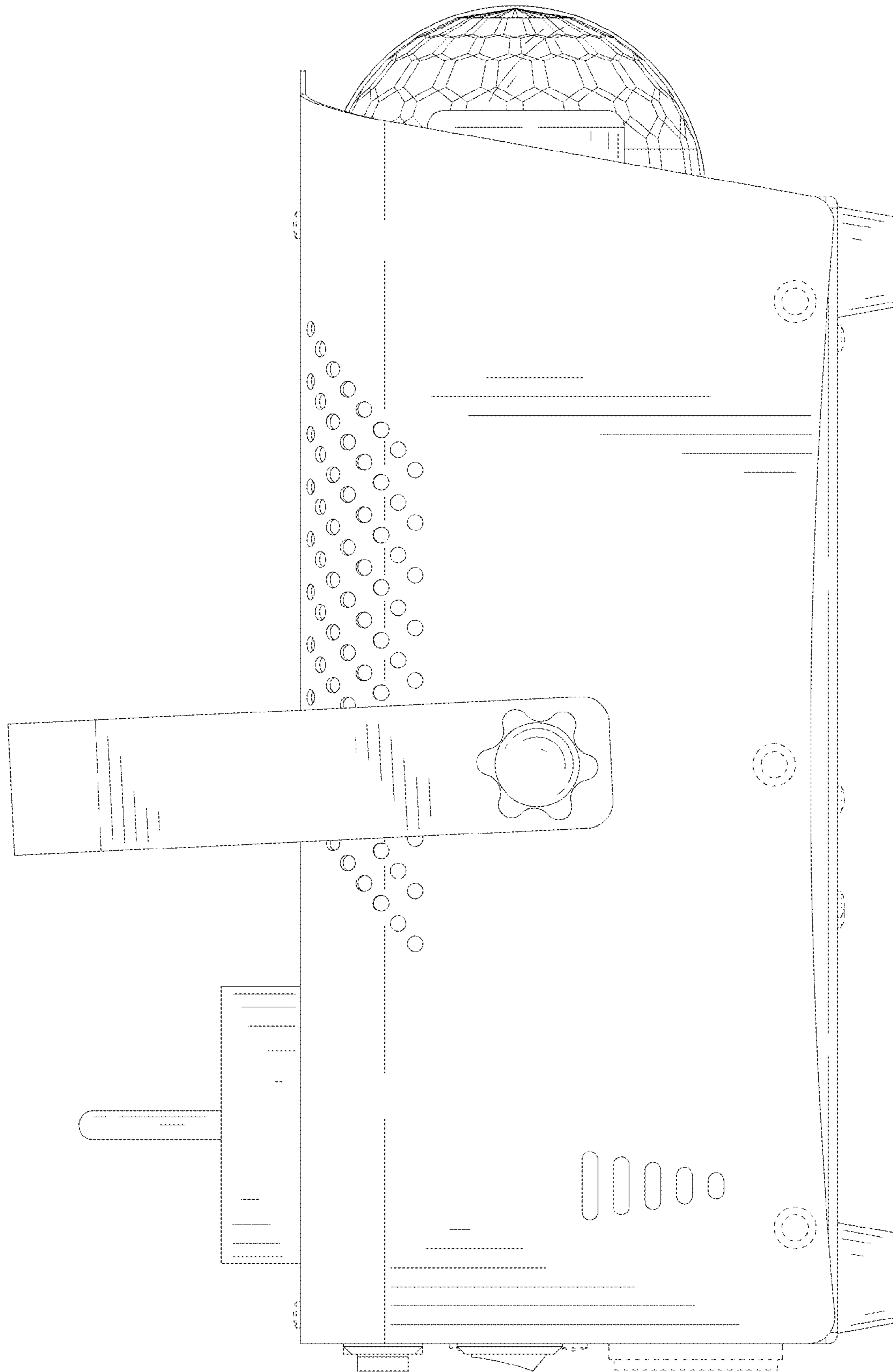


FIG. 5

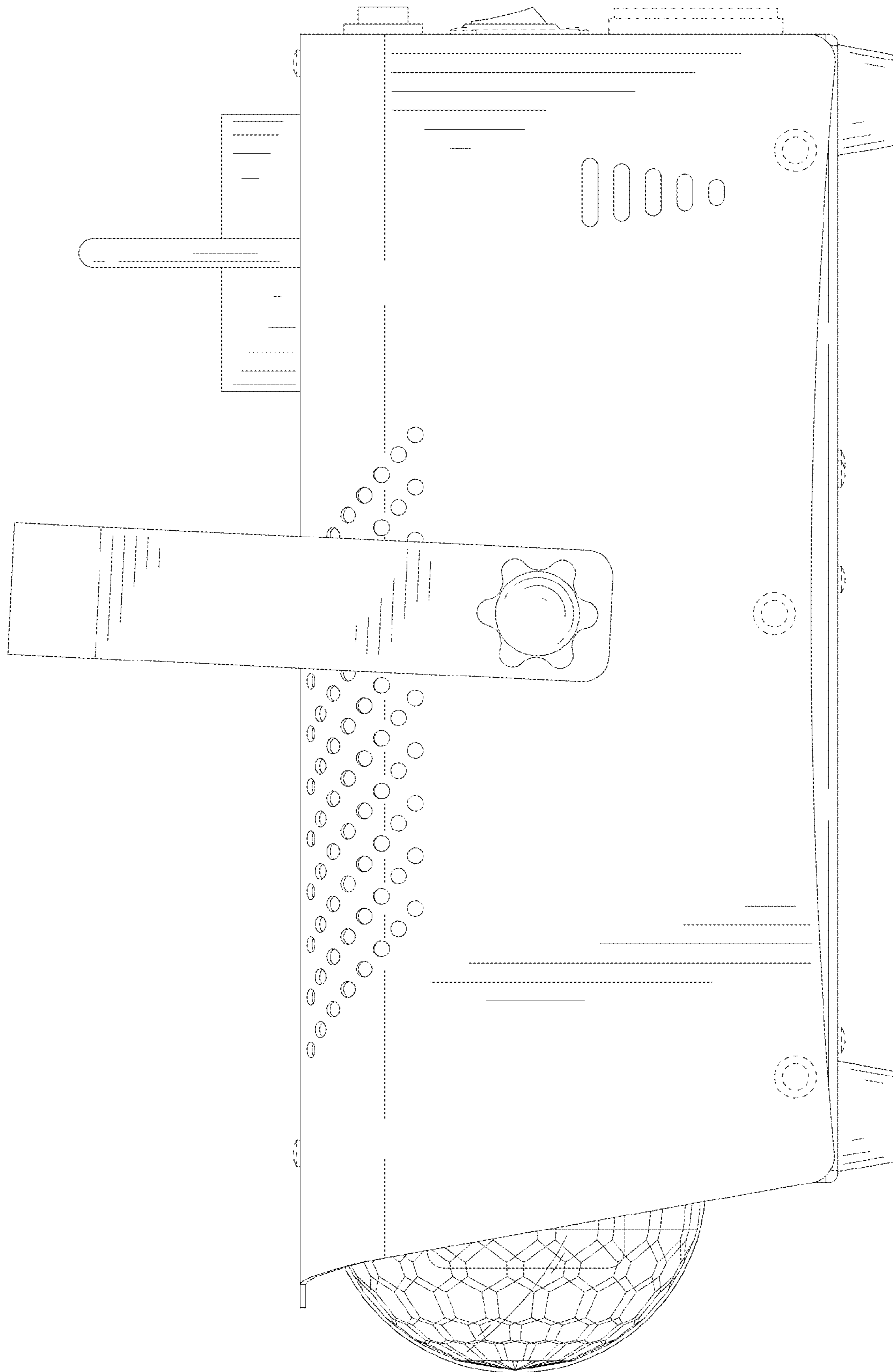


FIG. 6

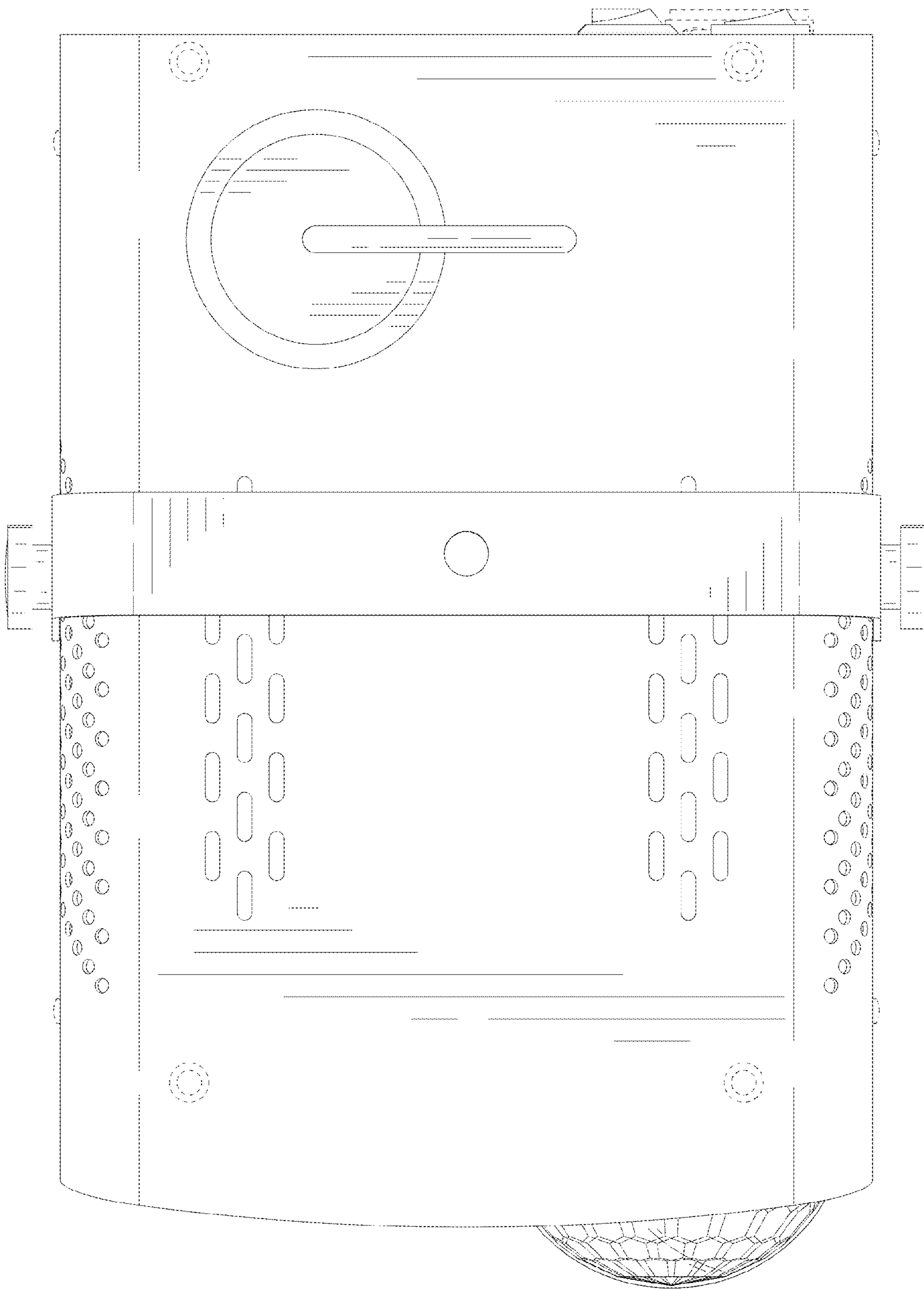


FIG. 7

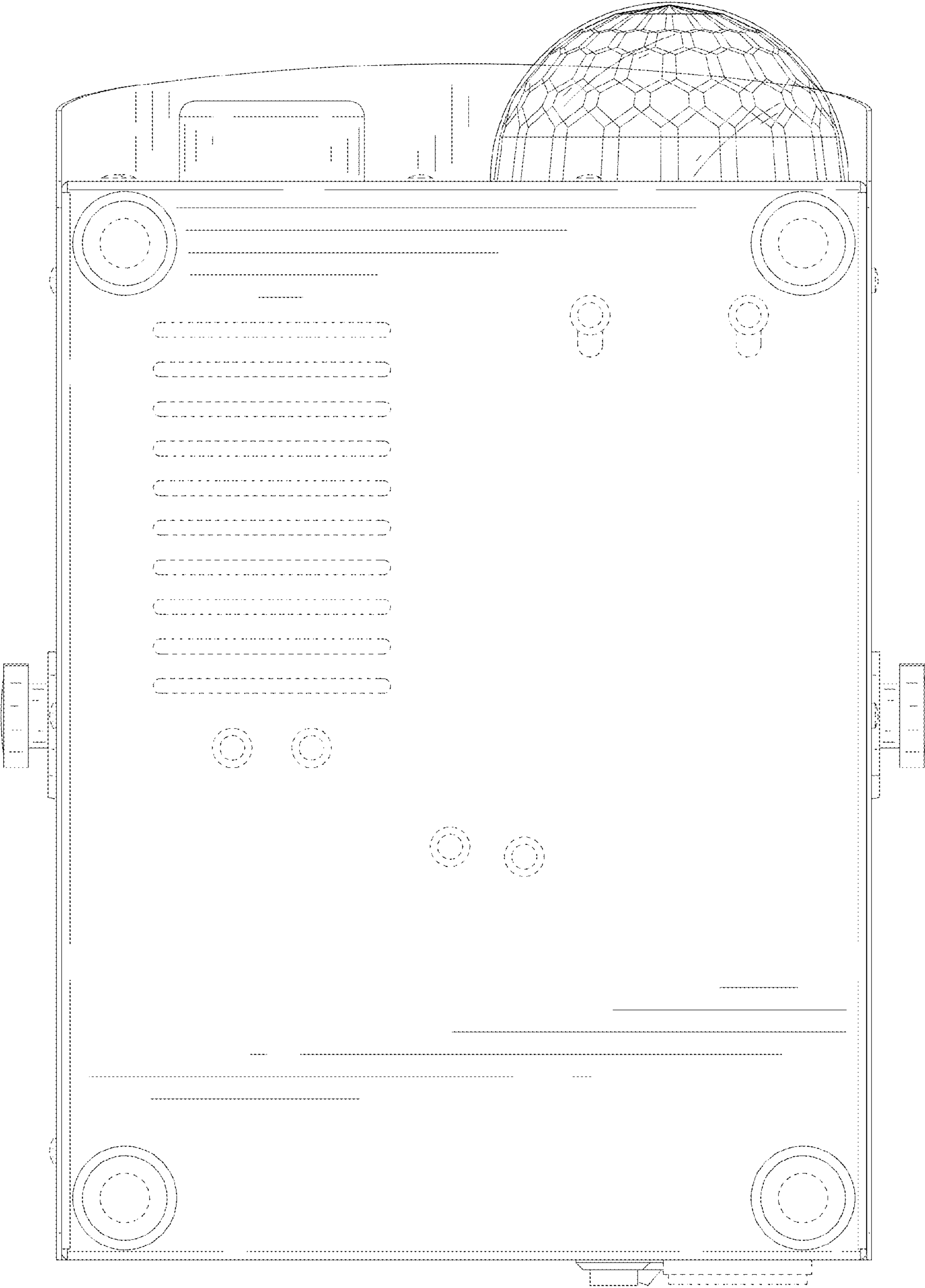


FIG. 8

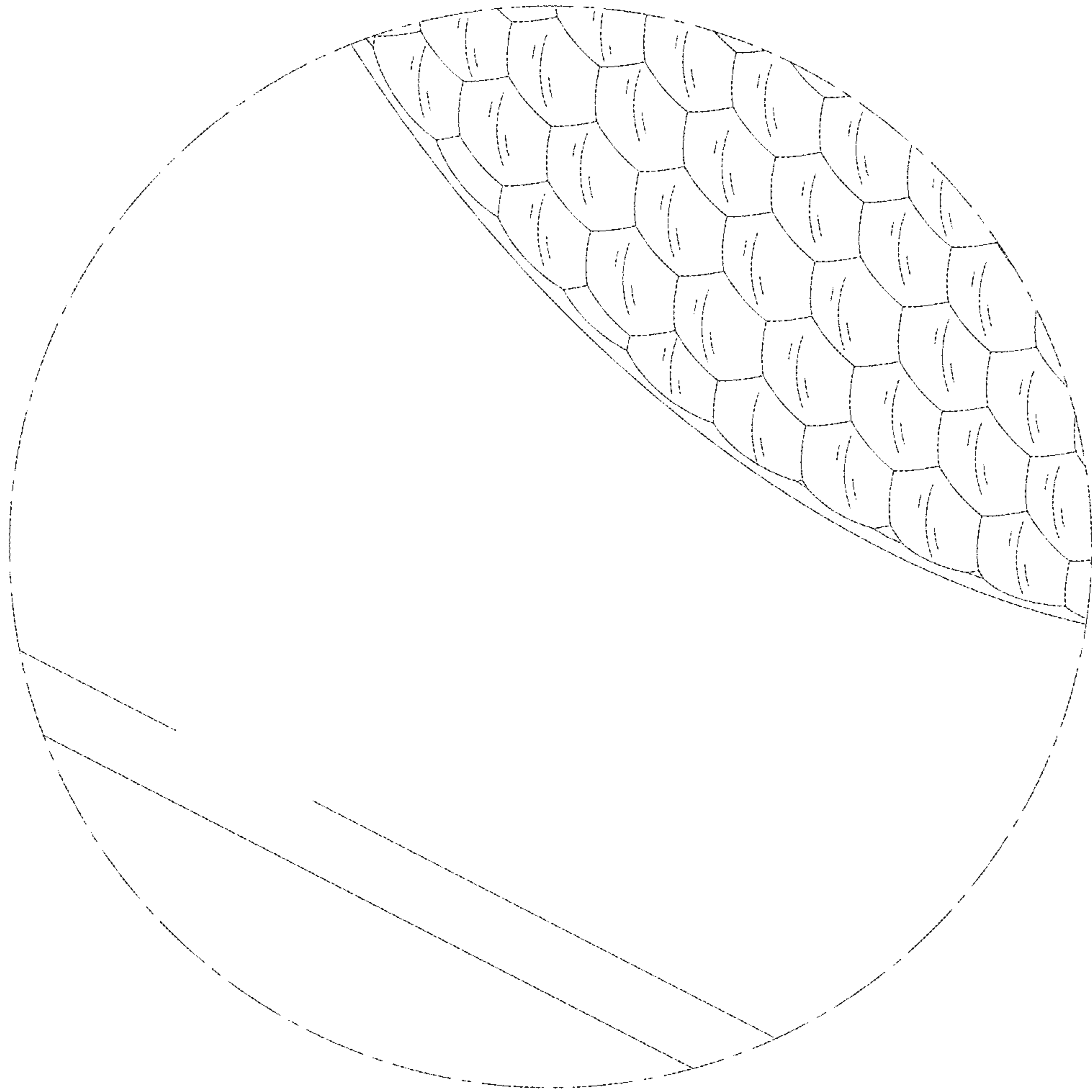


FIG. 9