



US00D982127S

(12) **United States Design Patent**  
**Wydner**

(10) **Patent No.:** **US D982,127 S**  
(45) **Date of Patent:** **\*\* Mar. 28, 2023**

(54) **FISHING ACCESSORIES ORGANIZER**

(71) Applicant: **John Doyle Wydner**, Danville, AL  
(US)

(72) Inventor: **John Doyle Wydner**, Danville, AL  
(US)

(\*\*) Term: **15 Years**

(21) Appl. No.: **29/766,513**

(22) Filed: **Jan. 15, 2021**

D532,860 S *	11/2006	Richardson	.....	D22/134
7,305,793 B1 *	12/2007	Macdonald	.....	A01K 97/06
				206/315.11
D592,268 S *	5/2009	Montagnino	.....	D21/803
D628,386 S *	12/2010	Kohn	.....	D3/313
8,756,856 B1 *	6/2014	Girvin	.....	A01K 97/20
				43/54.1
8,915,010 B1 *	12/2014	Gardner	.....	A01K 97/06
				43/54.1
D737,504 S *	8/2015	Chen	.....	A24F 13/02
				D27/183
9,578,864 B2 *	2/2017	Marek	.....	A01K 97/06
D849,596 S *	5/2019	Crosby	.....	D11/143
10,405,531 B1 *	9/2019	Denmark	.....	A01K 97/04
D890,458 S *	7/2020	Yearwood, Jr.	.....	D32/53

(Continued)

**Related U.S. Application Data**

(63) Continuation-in-part of application No. 15/656,837,  
filed on Jul. 21, 2017, now Pat. No. 10,918,098.

(51) **LOC (14) Cl.** ..... **22-05**

(52) **U.S. Cl.**  
USPC ..... **D22/134**

(58) **Field of Classification Search**  
USPC .... D22/134, 136, 138, 149; 43/54.1, 55-56;  
D8/349, 352, 354, 373; D11/145, 182  
CPC ..... A01K 65/00; A01K 97/06; A01K 97/10  
See application file for complete search history.

(56) **References Cited**

**U.S. PATENT DOCUMENTS**

4,271,624 A *	6/1981	Peluso	.....	A01K 97/06
				43/54.1
4,958,461 A *	9/1990	Aldrich	.....	A47G 7/07
				47/41.01
D322,356 S *	12/1991	Harshaw	.....	D3/313
D375,781 S *	11/1996	Caldwell	.....	D22/134
6,014,833 A *	1/2000	Benavidez	.....	A01K 97/06
				206/315.11
D445,358 S *	7/2001	Simmons	.....	D11/152
6,785,999 B1 *	9/2004	Spada	.....	A01K 97/22
				43/55
6,883,268 B2 *	4/2005	Fraser	.....	A01K 97/22
				206/315.11

*Primary Examiner* — Catherine R Oliver-Garcia

(57) **CLAIM**

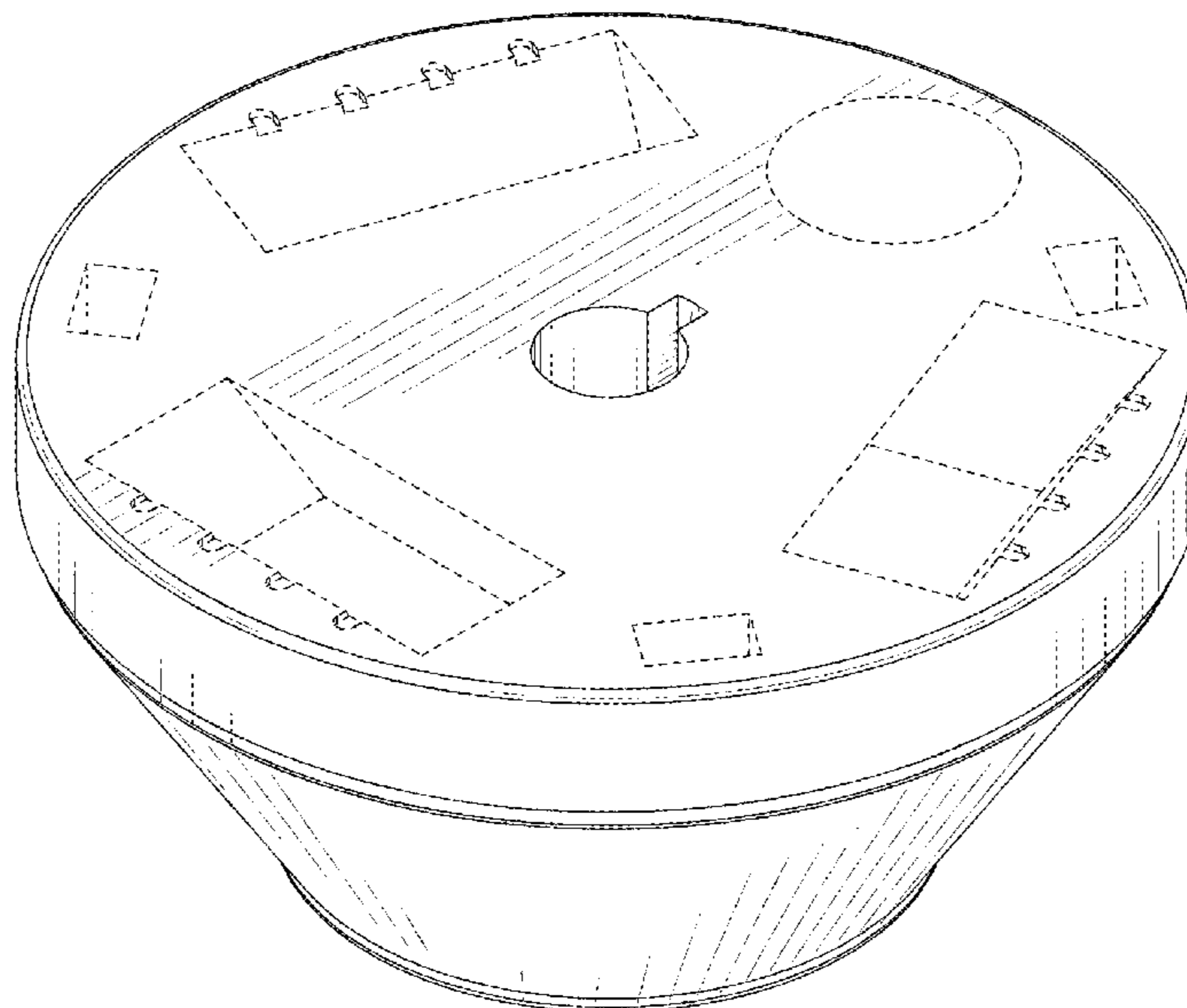
The ornamental design for a fishing accessories organizer, as shown and described.

**DESCRIPTION**

FIG. 1 is a top front perspective view of a fishing accessories organizer showing my new design;  
FIG. 2 is a bottom rear perspective view thereof;  
FIG. 3 is a front elevational view thereof;  
FIG. 4 is a rear elevational view thereof;  
FIG. 5 is a top plan view thereof;  
FIG. 6 is a bottom plan view thereof;  
FIG. 7 is a right elevational view thereof;  
FIG. 8 is a left elevational view thereof; and,  
FIG. 9 is a cross sectional view taken along line 9-9 in FIG. 4.

The broken line showing of compartments in FIGS. 1, 5, and 9, and the broken line showing of holes in FIGS. 2 and 6 are included for the purpose of illustrating environmental structure and form no part of the claimed design.

**1 Claim, 9 Drawing Sheets**



(56)

**References Cited**

U.S. PATENT DOCUMENTS

10,717,184	B2 *	7/2020	Frazier .....	B25H 3/00
10,793,317	B2 *	10/2020	Bowen .....	B65D 25/04
10,918,098	B2 *	2/2021	Morehead .....	A01K 97/22
11,026,412	B1 *	6/2021	Diaz .....	A01K 97/10
2013/0227875	A1 *	9/2013	DeSpiegelaere .....	A01K 97/08
				43/54.1
2016/0021861	A1 *	1/2016	Pippins .....	A01K 99/00
				43/54.1
2018/0020652	A1 *	1/2018	Morehead .....	A01K 97/06
				43/21.2

\* cited by examiner

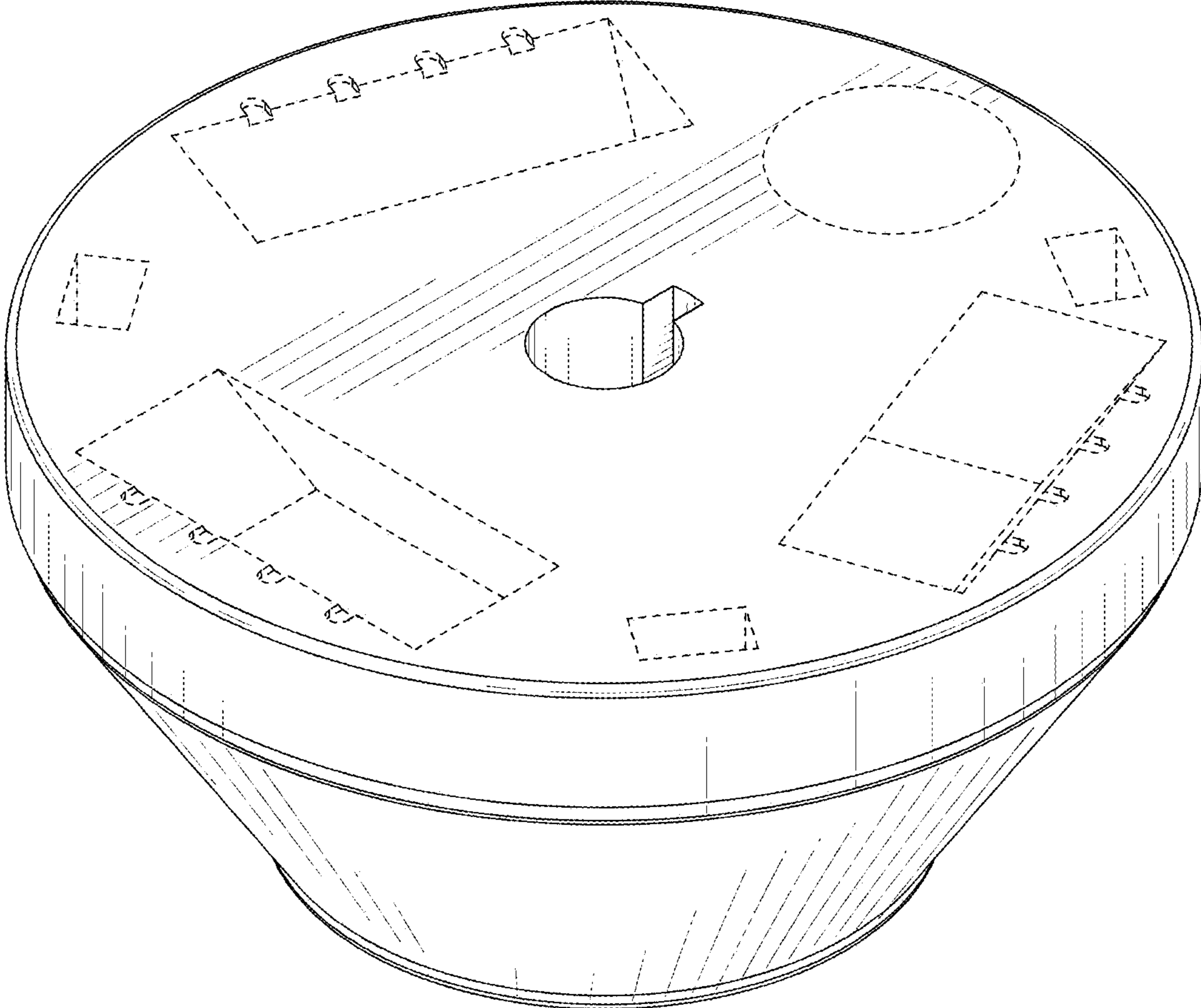


FIG. 1

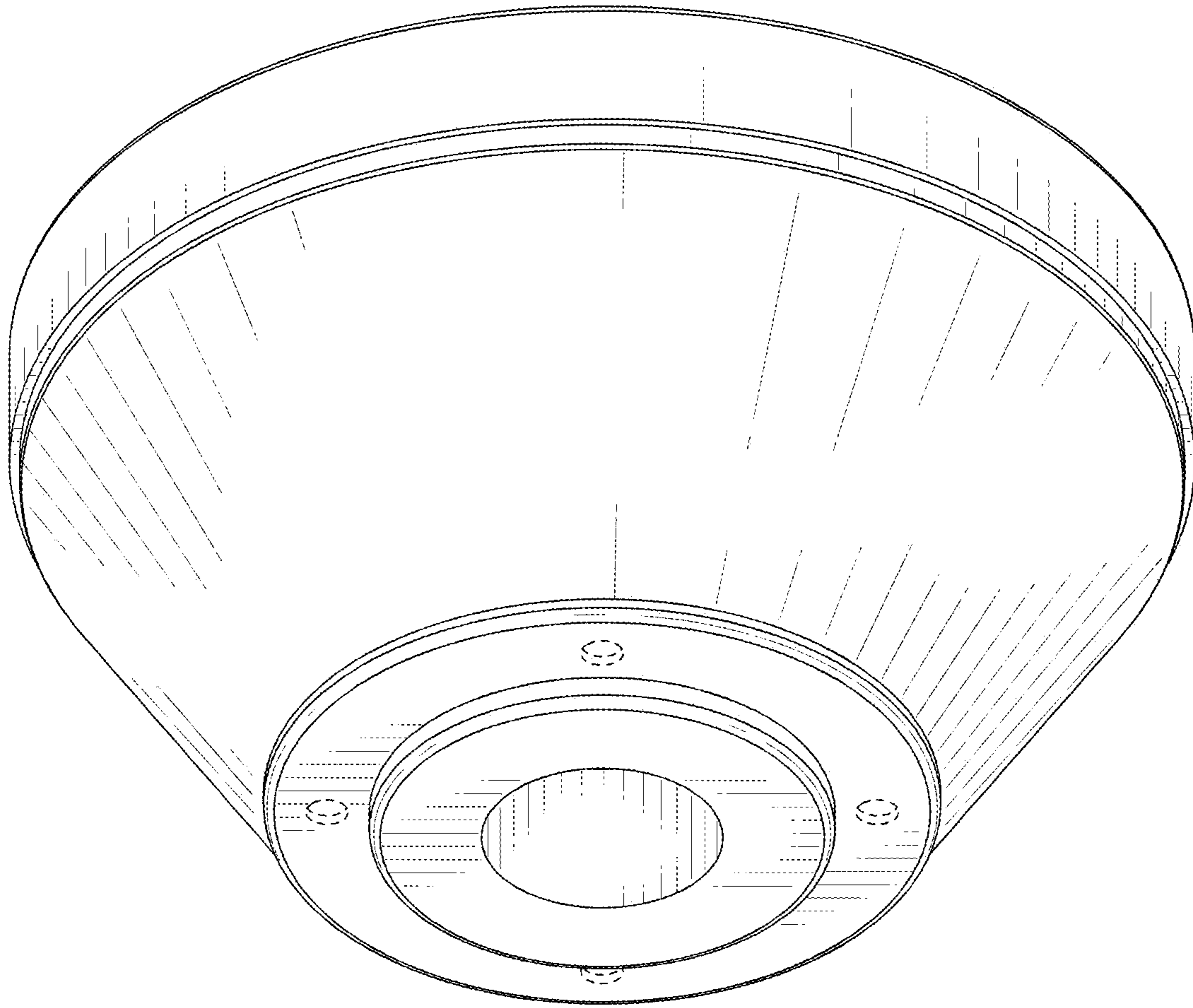


FIG. 2

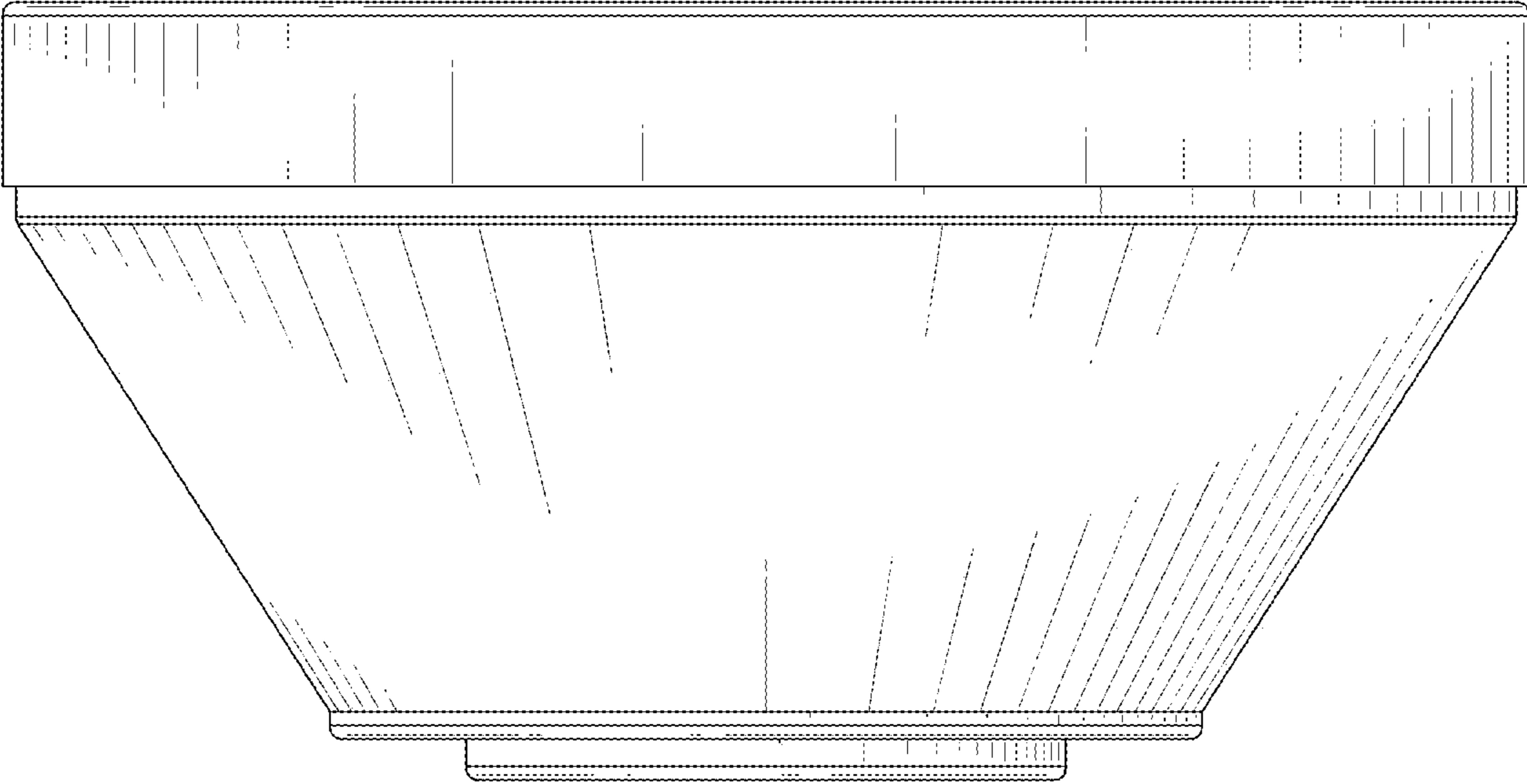


FIG. 3

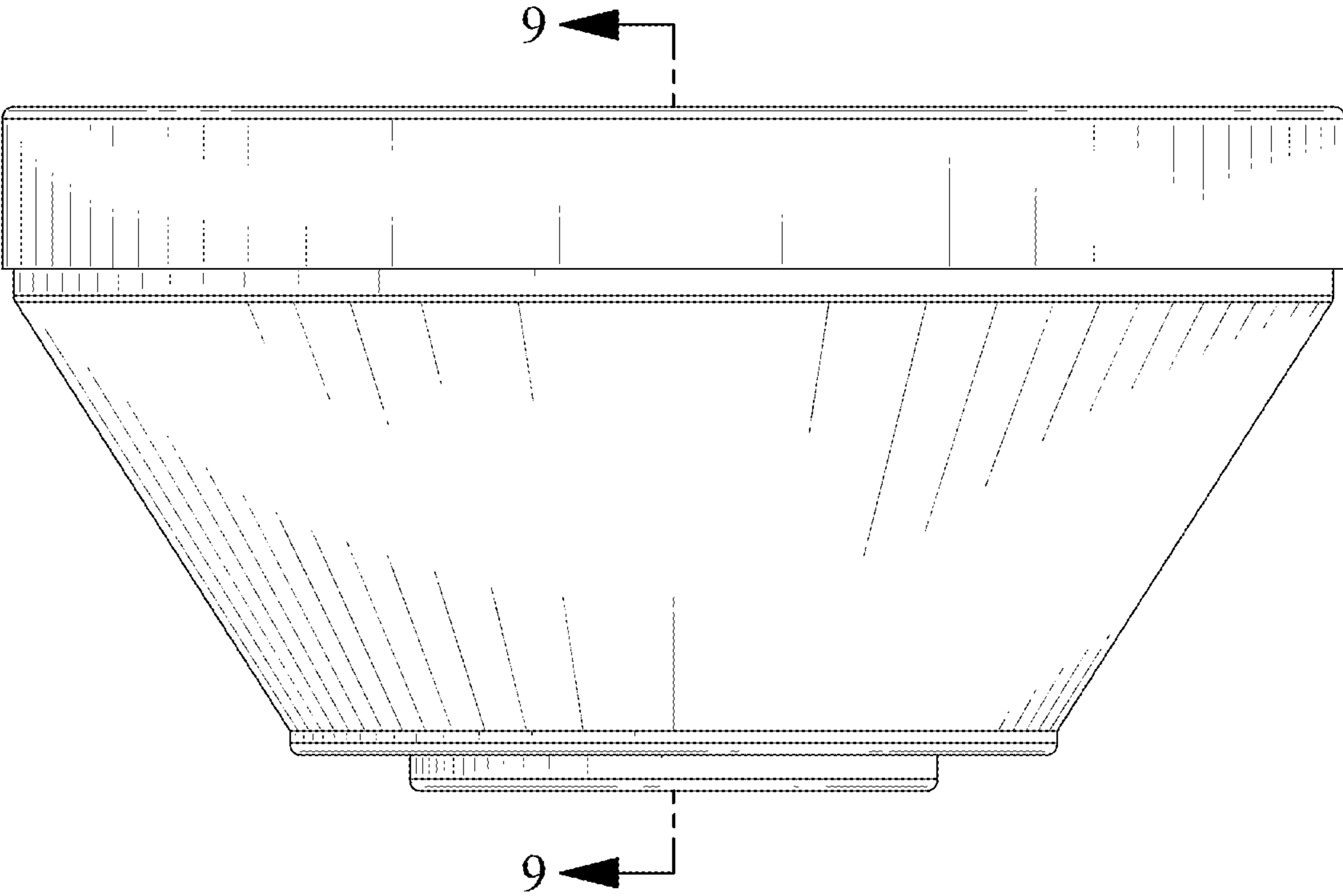


FIG. 4

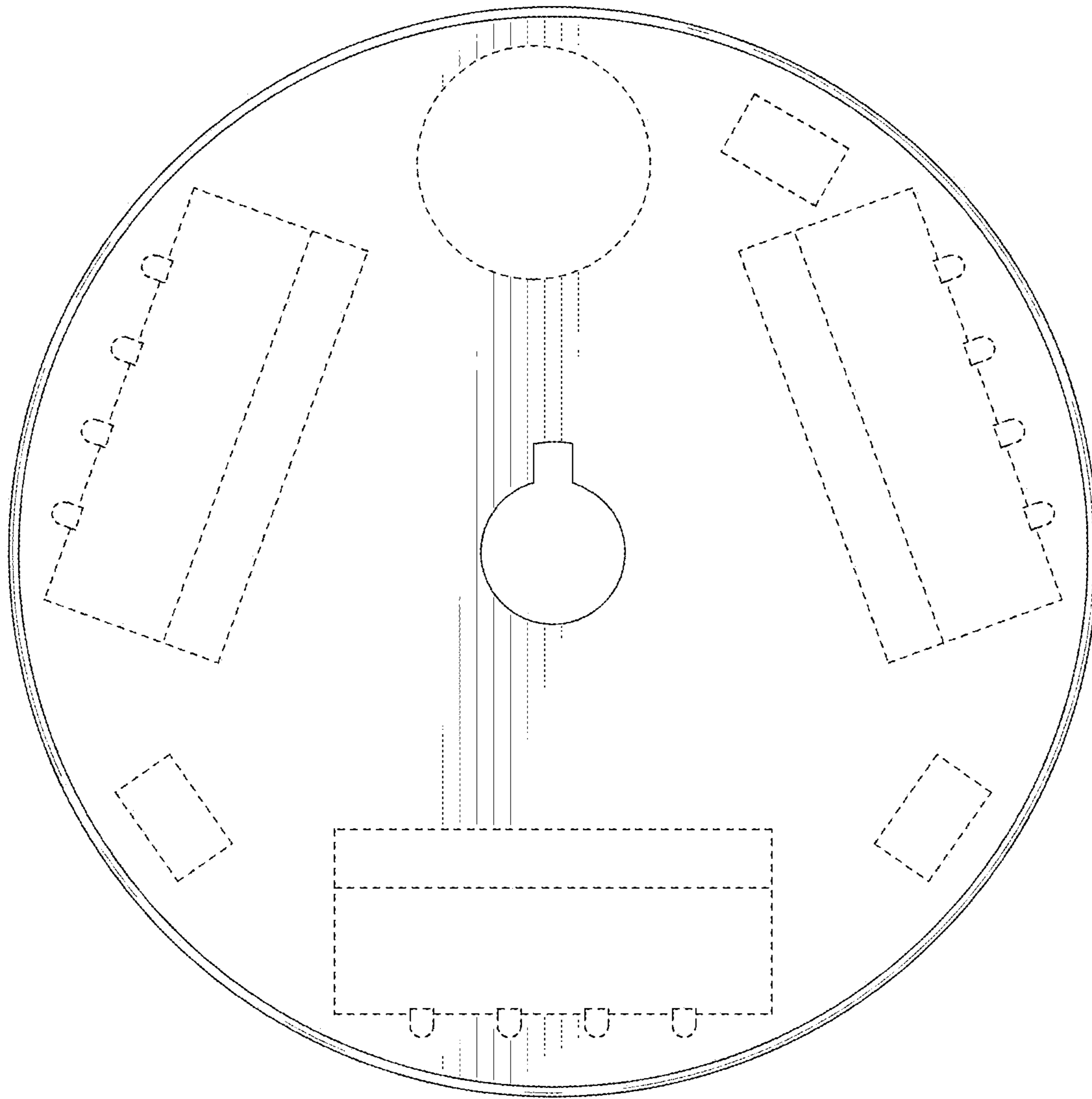


FIG. 5

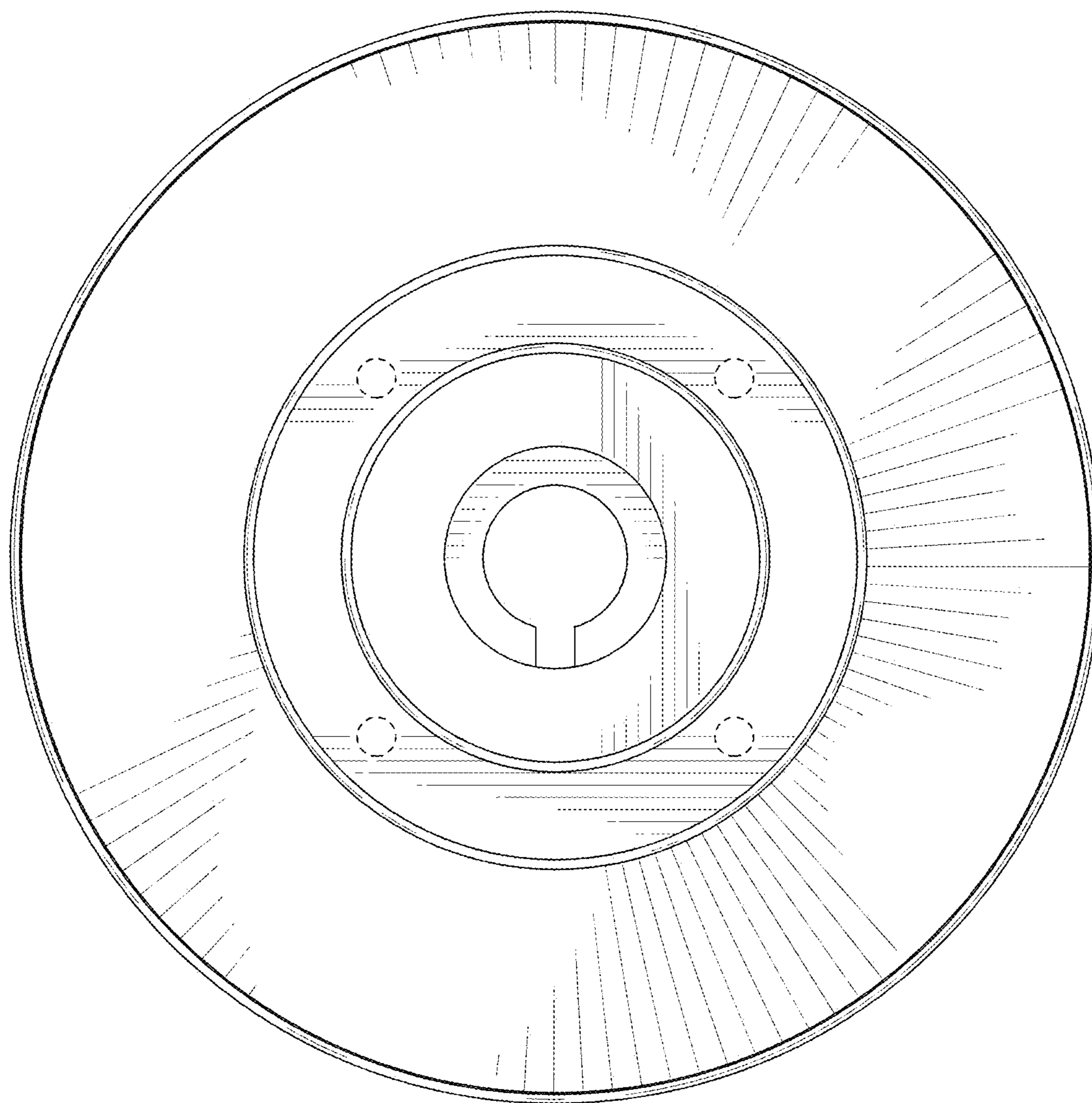


FIG. 6



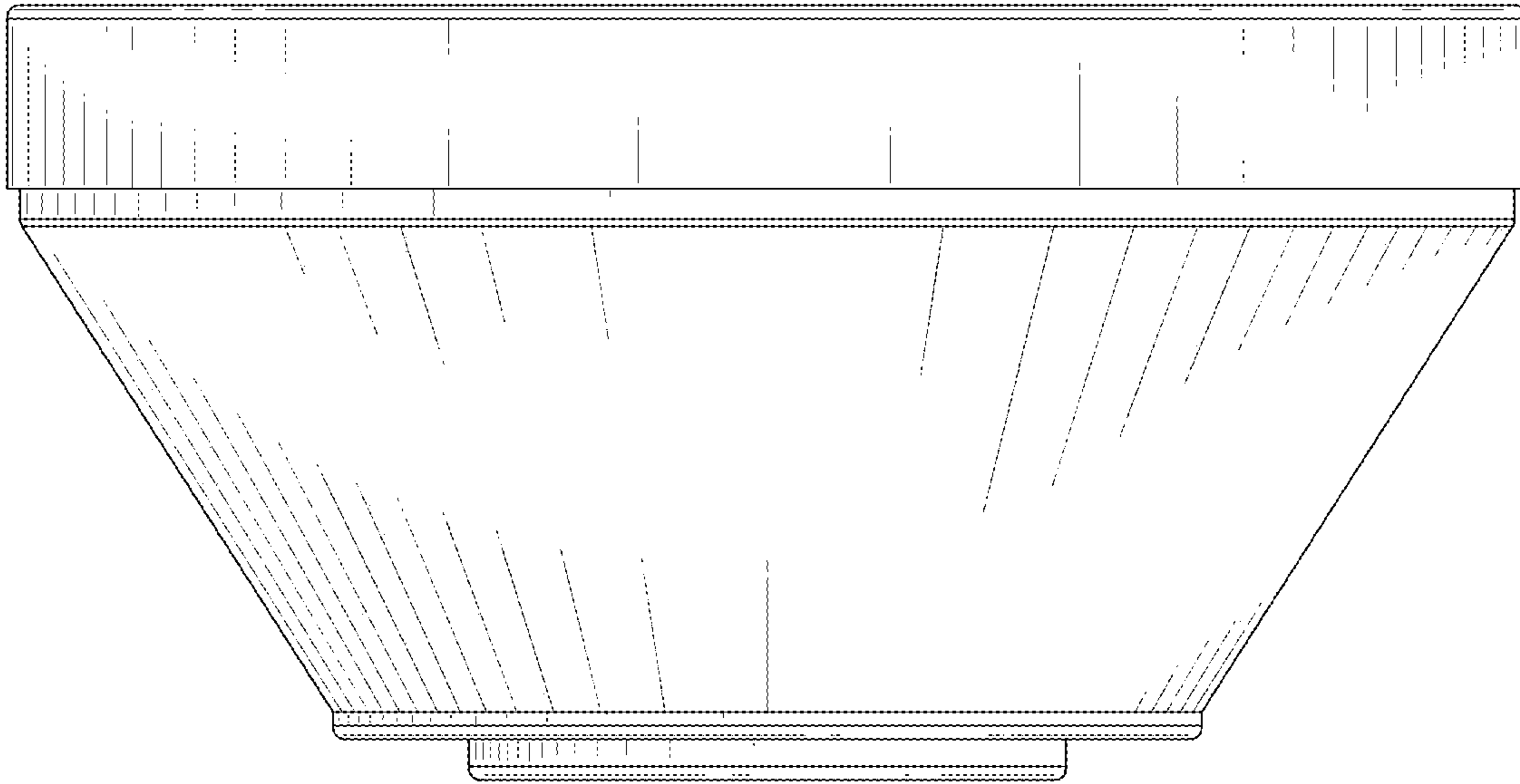


FIG. 7

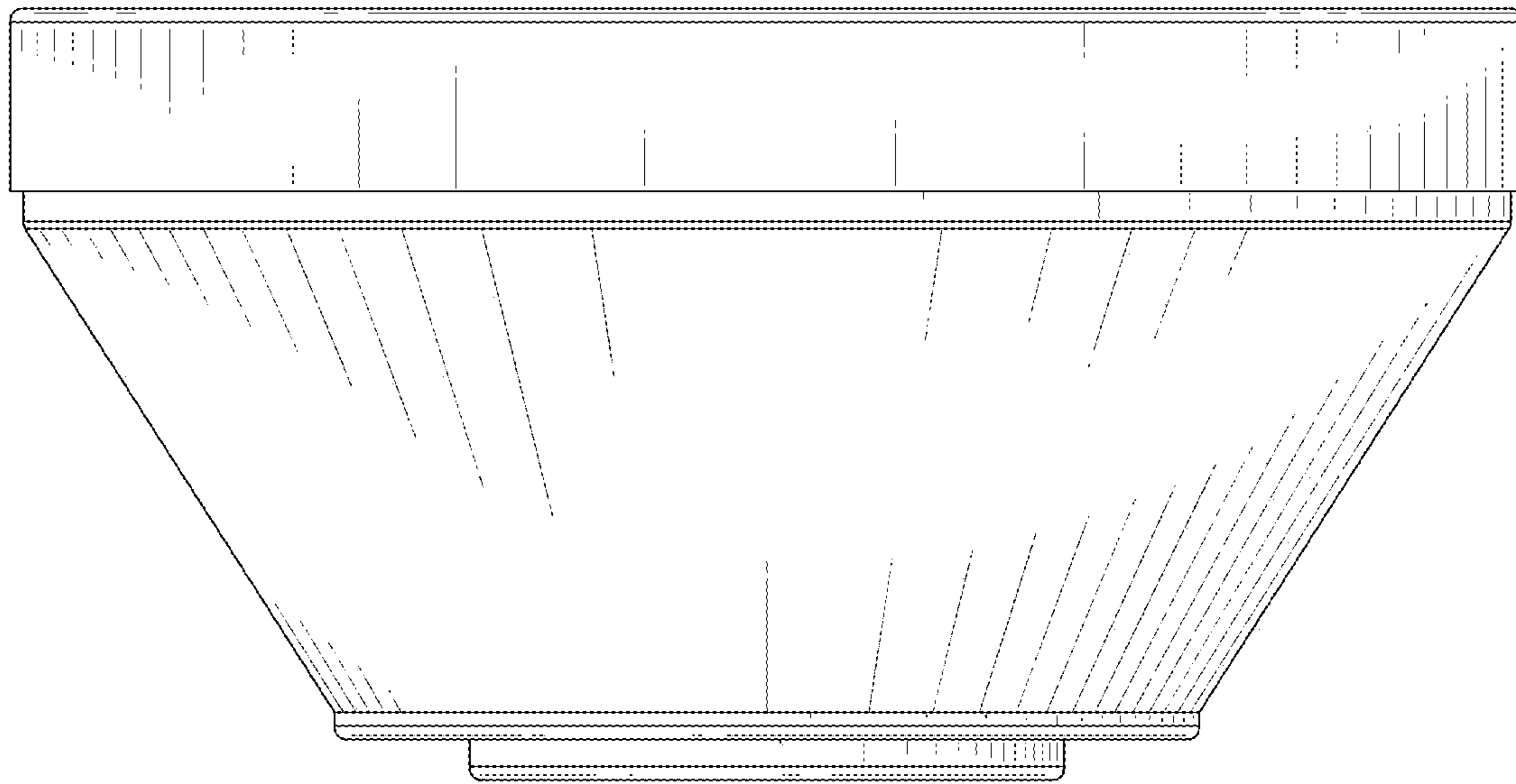


FIG. 8

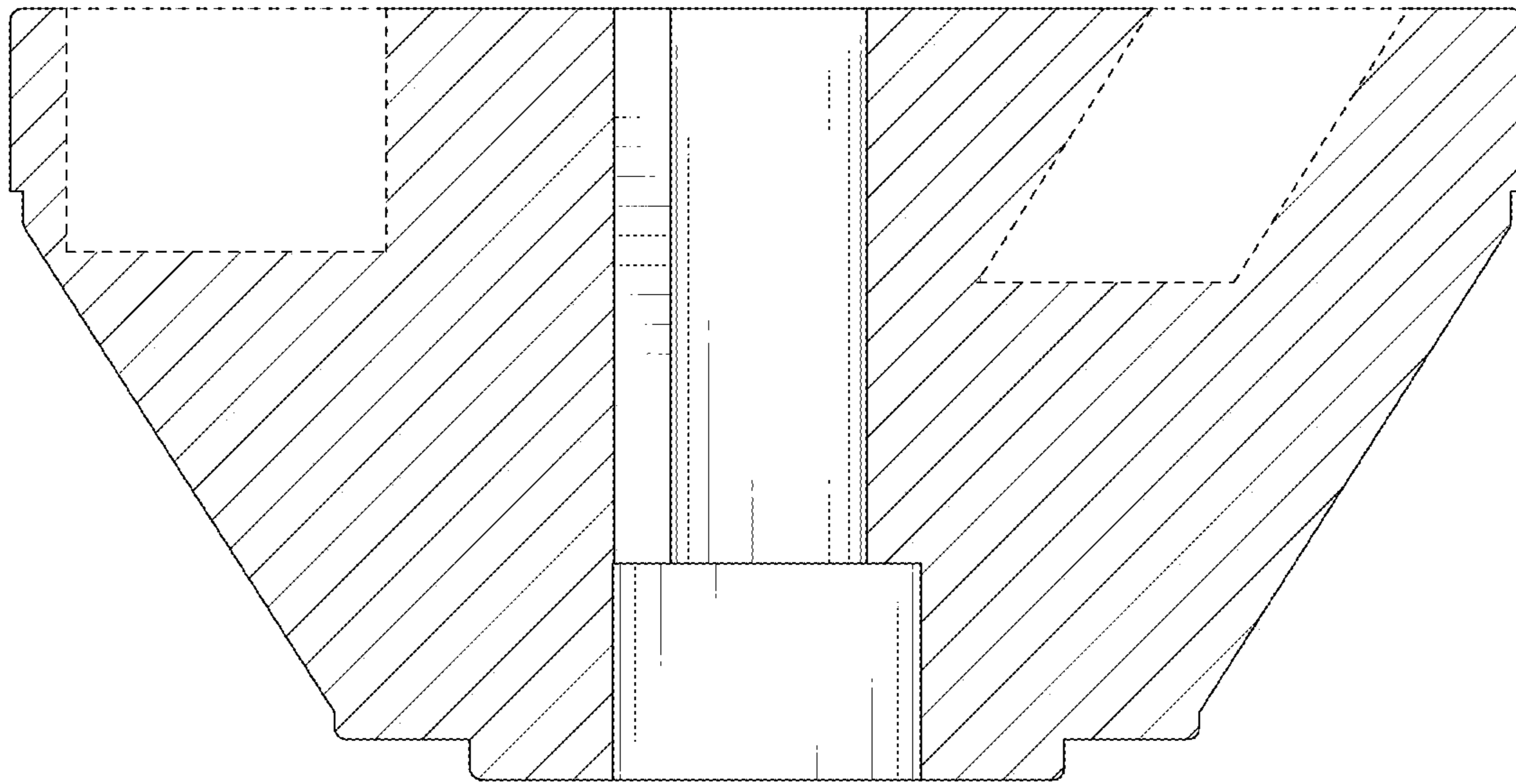


FIG. 9