



US00D982124S

(12) **United States Design Patent** (10) **Patent No.:** **US D982,124 S**  
**Stingo** (45) **Date of Patent:** **\*\* Mar. 28, 2023**

(54) **FISHING LURE**

FOREIGN PATENT DOCUMENTS

(71) Applicant: **David Stingo**, Middletown, NJ (US)

EM 004595320-0001 \* 2/2018

(72) Inventor: **David Stingo**, Middletown, NJ (US)

OTHER PUBLICATIONS

(\*\*) Term: **15 Years**

(21) Appl. No.: **29/784,368**

Noeby Popping Lures Collection, posted Jul. 14, 2020 [online], [retrieved Dec. 6, 2022]. Retrieved from internet, <https://www.youtube.com/watch?v=uWhd1kQIE34> (Date: 2022) (Year: 2020).\*  
THKFISH, posted Dec. 12, 2018[online], [retrieved Dec. 16, 0022]. Retrieved from internet, <https://www.amazon.co.uk/thkfish-Topwater-Saltwater-LuresTuna-RedLaser/dp/B07DW7XR5R/ref=sr>(Date: 2022) (Year: 2018).\*  
Yo-Zuri, posted unknown [online], [retrieved Dec. 6, 2022]. Retrieved from internet, <https://www.tackledirect.com/yo-zuri-bull-pop-lures.html#&gid=1&pid=1>(Date:2022) (Year: 2022).\*  
Timber Carpenter, posted unknown [online], [retrieved Dec. 6, 2022]. Retrieved from internet,[https://www.aliexpress.us/item/3256803371718201.html?gatewayAdapt=glo2usa4itemAdapt&\\_randl\\_shipto=US](https://www.aliexpress.us/item/3256803371718201.html?gatewayAdapt=glo2usa4itemAdapt&_randl_shipto=US)(Date:2022 ) (Year: 2022).\*

(22) Filed: **May 19, 2021**

(51) **LOC (14) Cl.** ..... **22-05**

(52) **U.S. Cl.**  
USPC ..... **D22/132**

(58) **Field of Classification Search**  
USPC ..... D22/125–133, 144–146; D21/599  
CPC ..... A01K 85/00; A01K 85/01; A01K 85/10;  
A01K 87/00; A01K 85/02; A01K 85/005;  
A01K 85/14; A01K 85/16; A01K 85/18;  
A01K 83/02; A01K 91/053; A01K 91/03;  
A01K 95/00  
See application file for complete search history.

\* cited by examiner

*Primary Examiner* — Christian P. McLean  
*Assistant Examiner* — Kristopher Michael Blechschmidt  
(74) *Attorney, Agent, or Firm* — Mitchell Law PLLC;  
Matthew W. Mitchell

(56) **References Cited**

U.S. PATENT DOCUMENTS

2,515,591 A \* 7/1950 Clink ..... A01K 85/16  
43/42.26  
2,565,660 A \* 8/1951 Krilich ..... A01K 85/16  
43/42.04  
2,986,837 A \* 6/1961 Spugios ..... A01K 85/16  
43/42.49  
3,077,046 A \* 2/1963 Murray ..... A01K 85/01  
43/42.35  
3,828,177 A \* 8/1974 Day ..... F21V 33/008  
43/17.6  
D268,864 S \* 5/1983 Rivette, Jr. .... D22/129  
D276,255 S \* 11/1984 Sriver ..... D22/126  
D468,390 S \* 1/2003 Stevens ..... D22/126  
D529,572 S \* 10/2006 Gaines ..... D22/126  
D551,316 S \* 9/2007 Patrick ..... D22/126

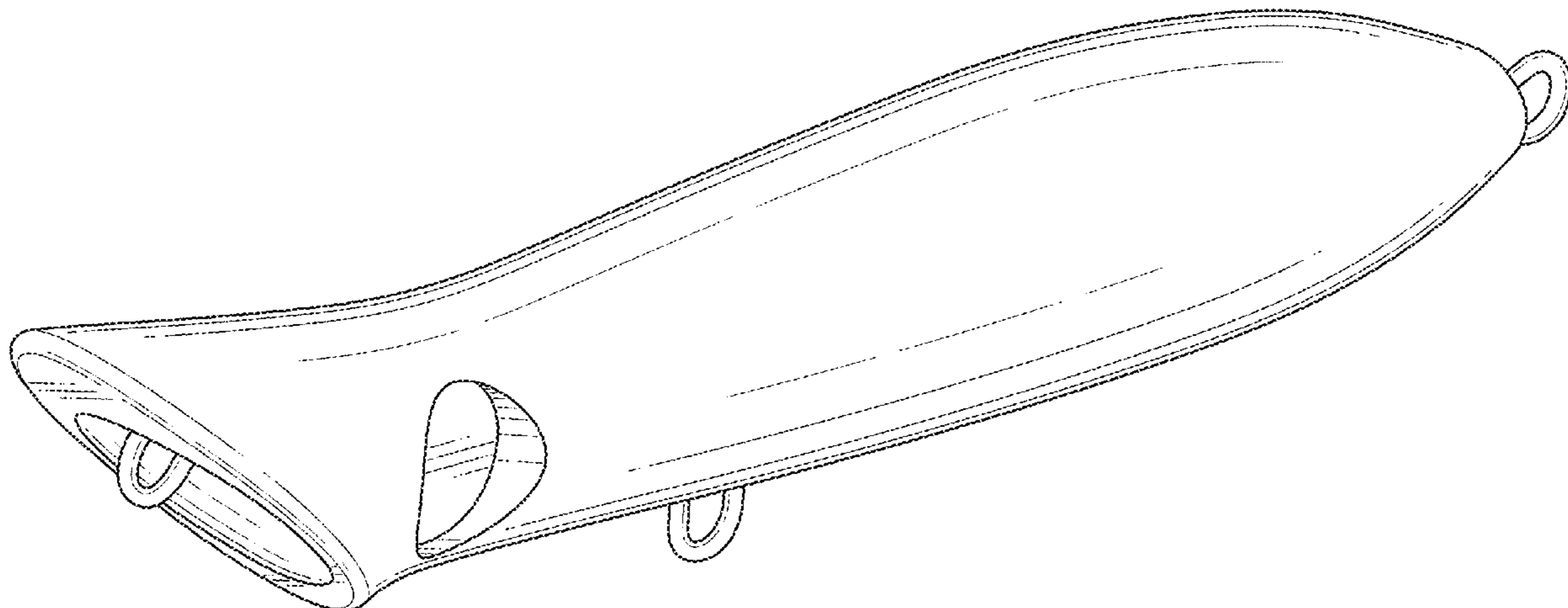
(57) **CLAIM**

The ornamental design for a fishing lure, as shown.

**DESCRIPTION**

FIG. 1 is a front isometric view of the fishing lure of the present invention;  
FIG. 2 is another isometric view thereof;  
FIG. 3 is a left-side view thereof;  
FIG. 4 is a right-side view thereof;  
FIG. 5 is a bottom plan view thereof;  
FIG. 6 is a top plan view thereof;  
FIG. 7 is a front view thereof; and,  
FIG. 8 is rear view thereof.

**1 Claim, 8 Drawing Sheets**



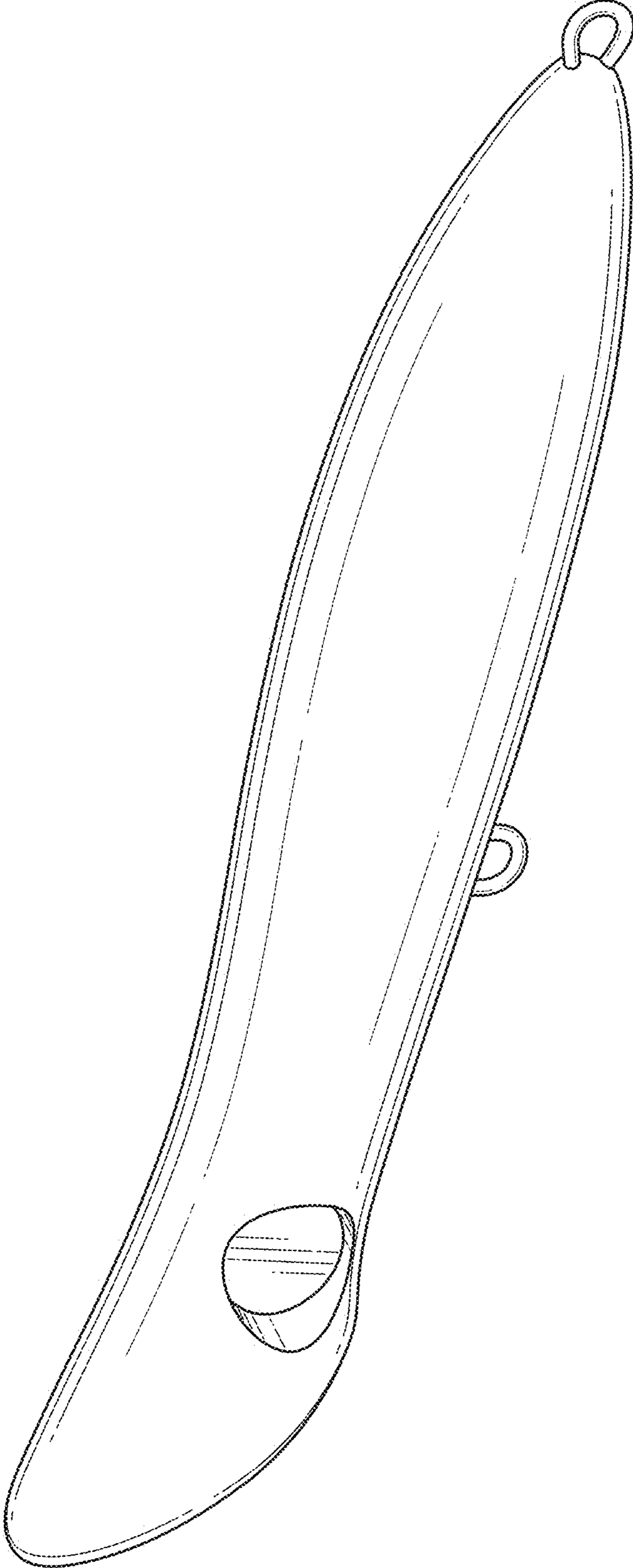


FIG. 1

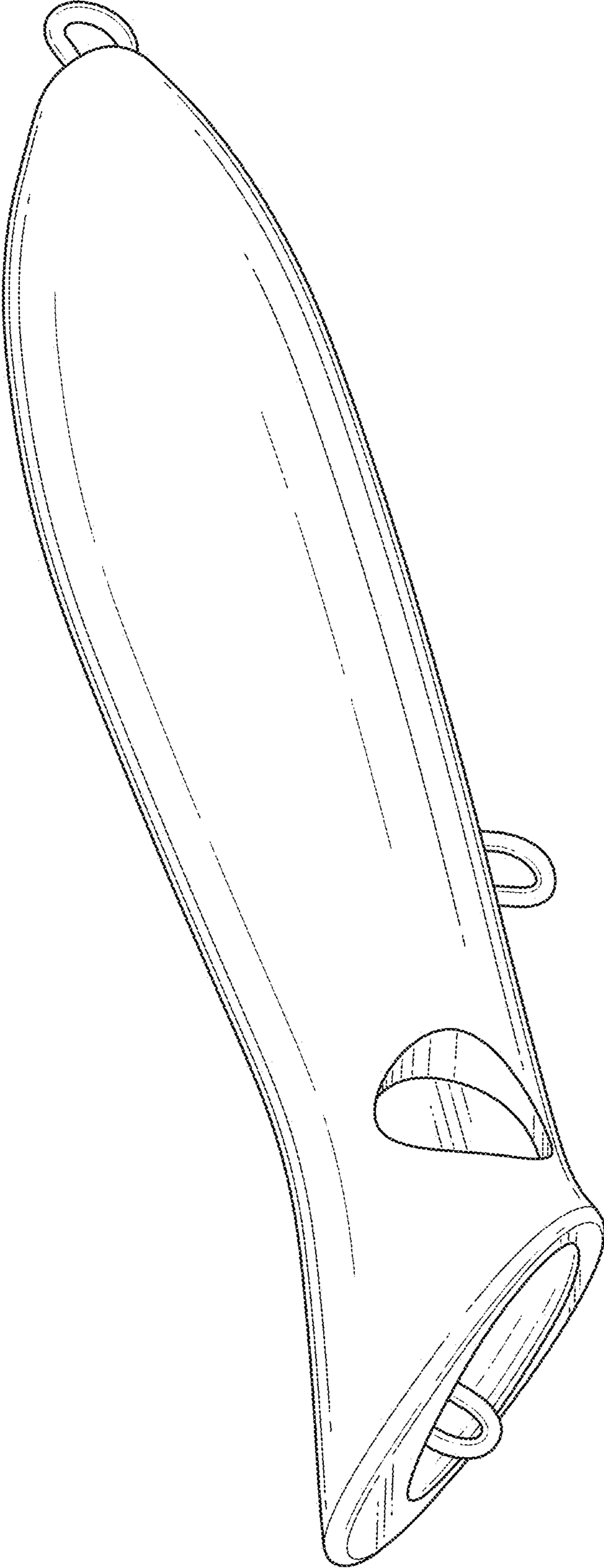


FIG. 2

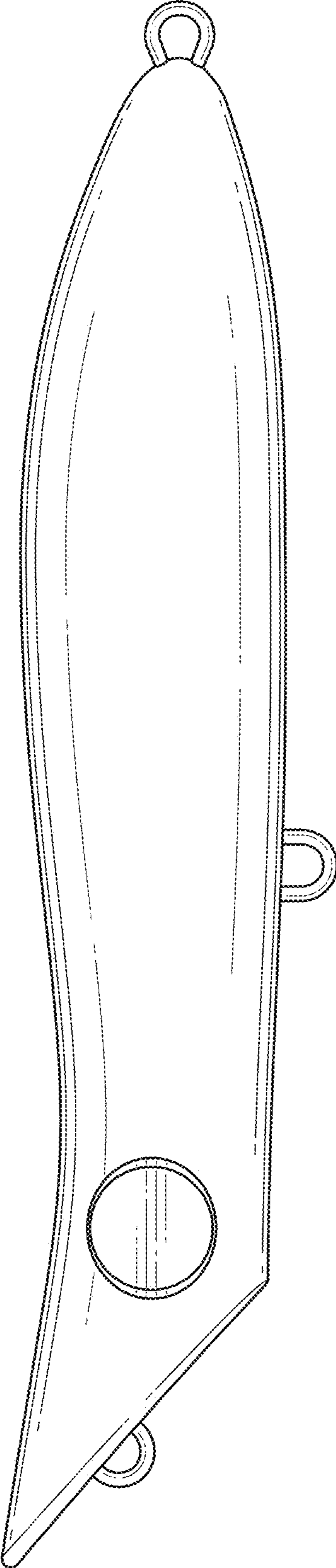


FIG. 3

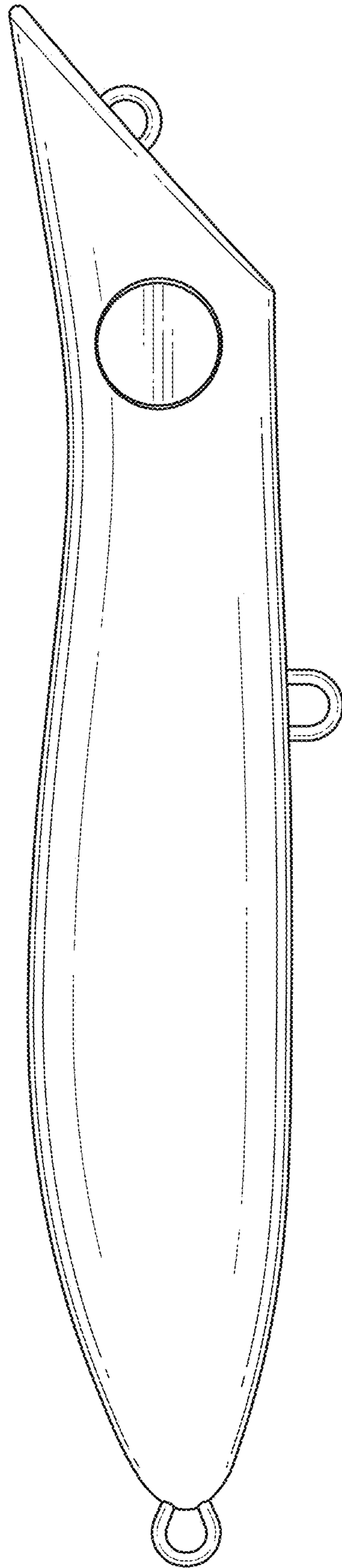


FIG. 4

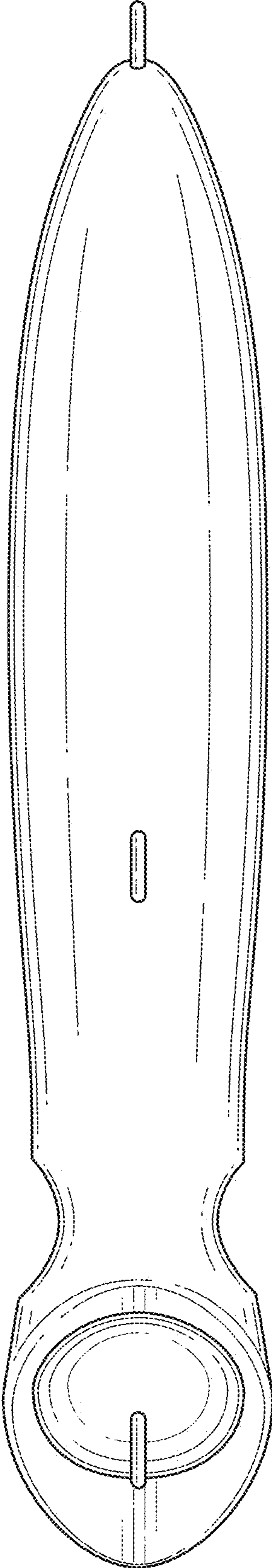


FIG. 5

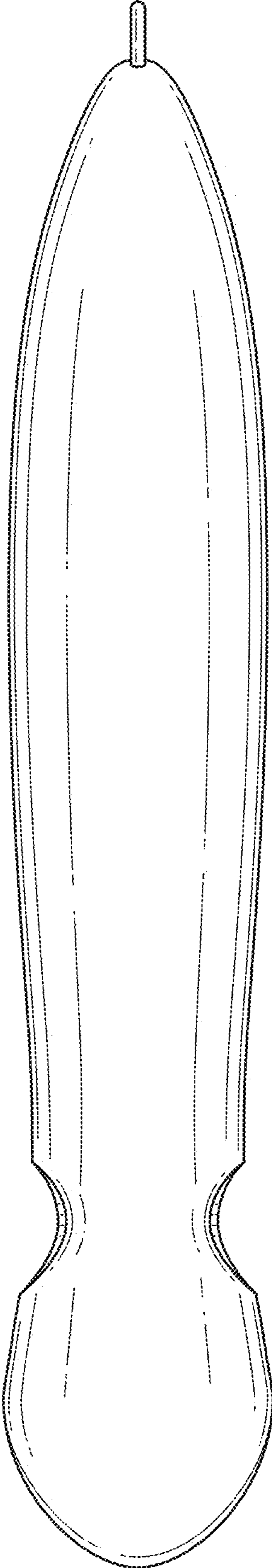


FIG. 6

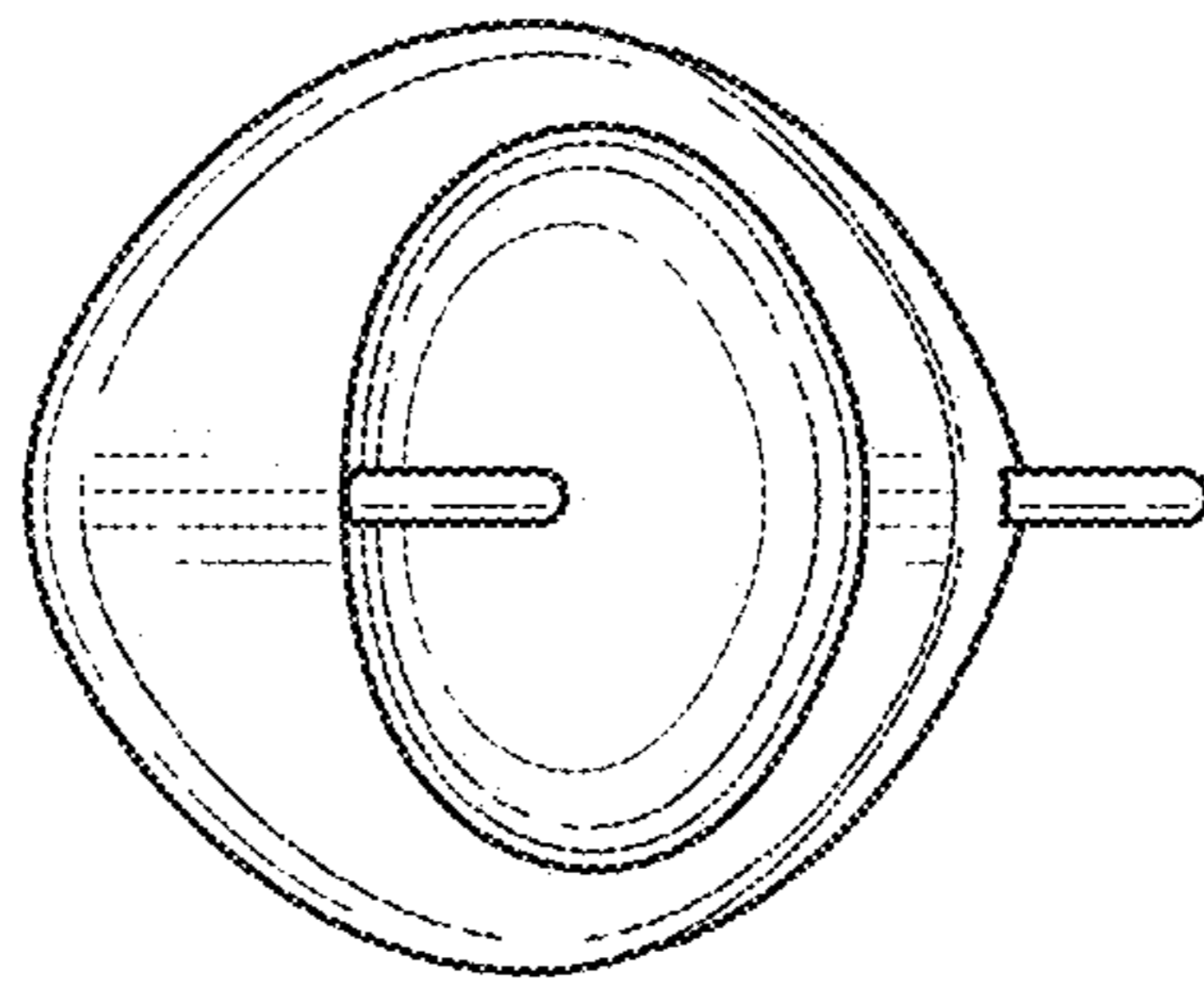


FIG. 7



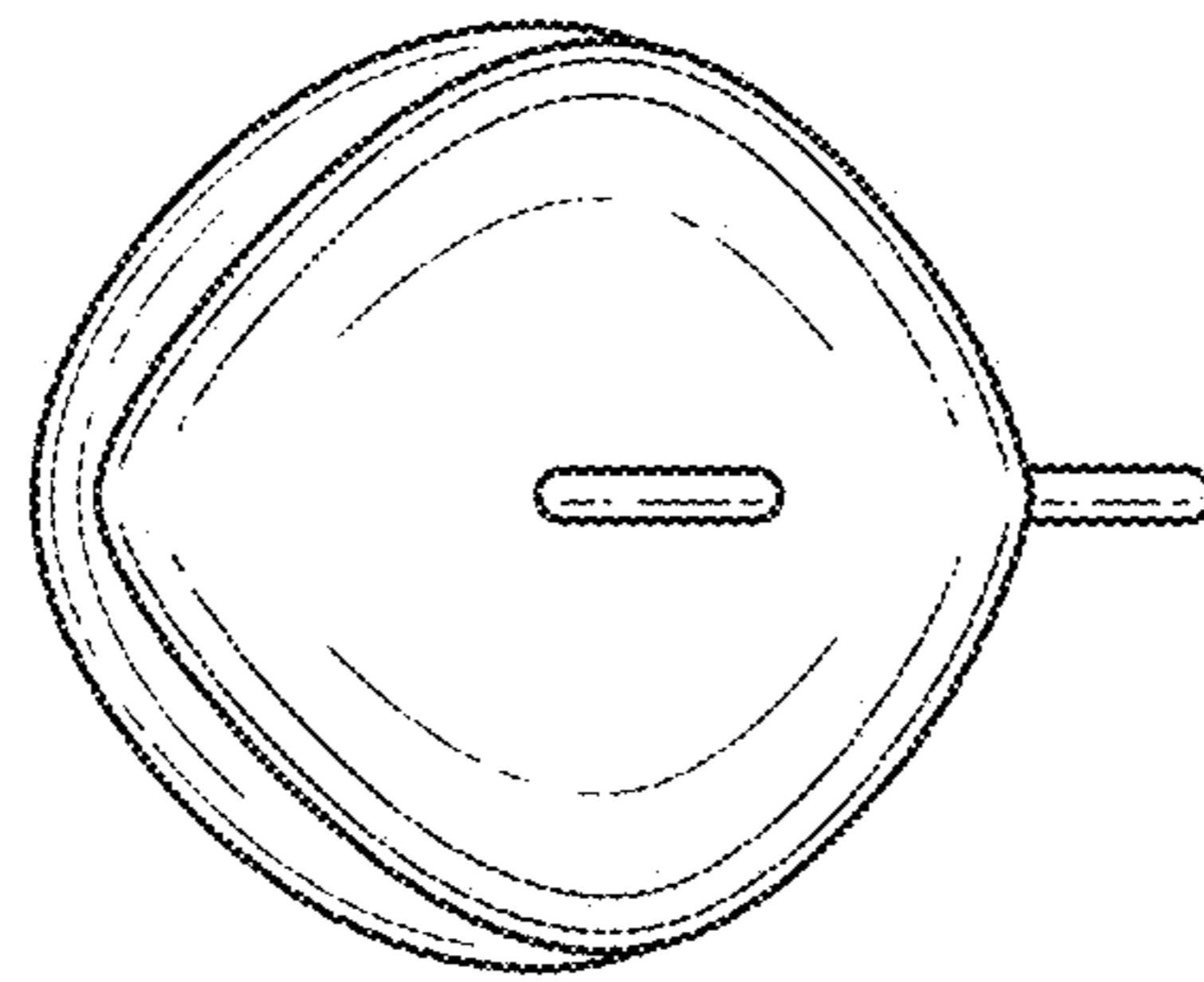


FIG. 8