



US00D982123S

(12) **United States Design Patent** (10) **Patent No.:** **US D982,123 S**  
**Lin** (45) **Date of Patent:** **\*\* Mar. 28, 2023**

(54) **FLY TRAP**

(71) Applicant: **XIAMEN CONSOLIDATES  
MANUFACTURE AND TRADING  
CO., LTD**, Xiamen (CN)

(72) Inventor: **Lijiang Lin**, Xiamen (CN)

(73) Assignee: **XIAMEN CONSOLIDATES  
MANUFACTURE AND TRADING  
CO., LTD**, Xiamen (CN)

(\*\*) Term: **15 Years**

(21) Appl. No.: **29/760,661**

(22) Filed: **Dec. 3, 2020**

(51) **LOC (14) Cl.** ..... **22-06**

(52) **U.S. Cl.**  
USPC ..... **D22/122**

(58) **Field of Classification Search**  
USPC ..... D22/122, 119; 43/107, 112  
(Continued)

(56) **References Cited**

**U.S. PATENT DOCUMENTS**

D281,995 S \* 12/1985 Schmidt ..... D22/122  
D284,093 S \* 6/1986 Browne ..... D22/122  
(Continued)

*Primary Examiner* — Catherine R Oliver-Garcia

(57) **CLAIM**

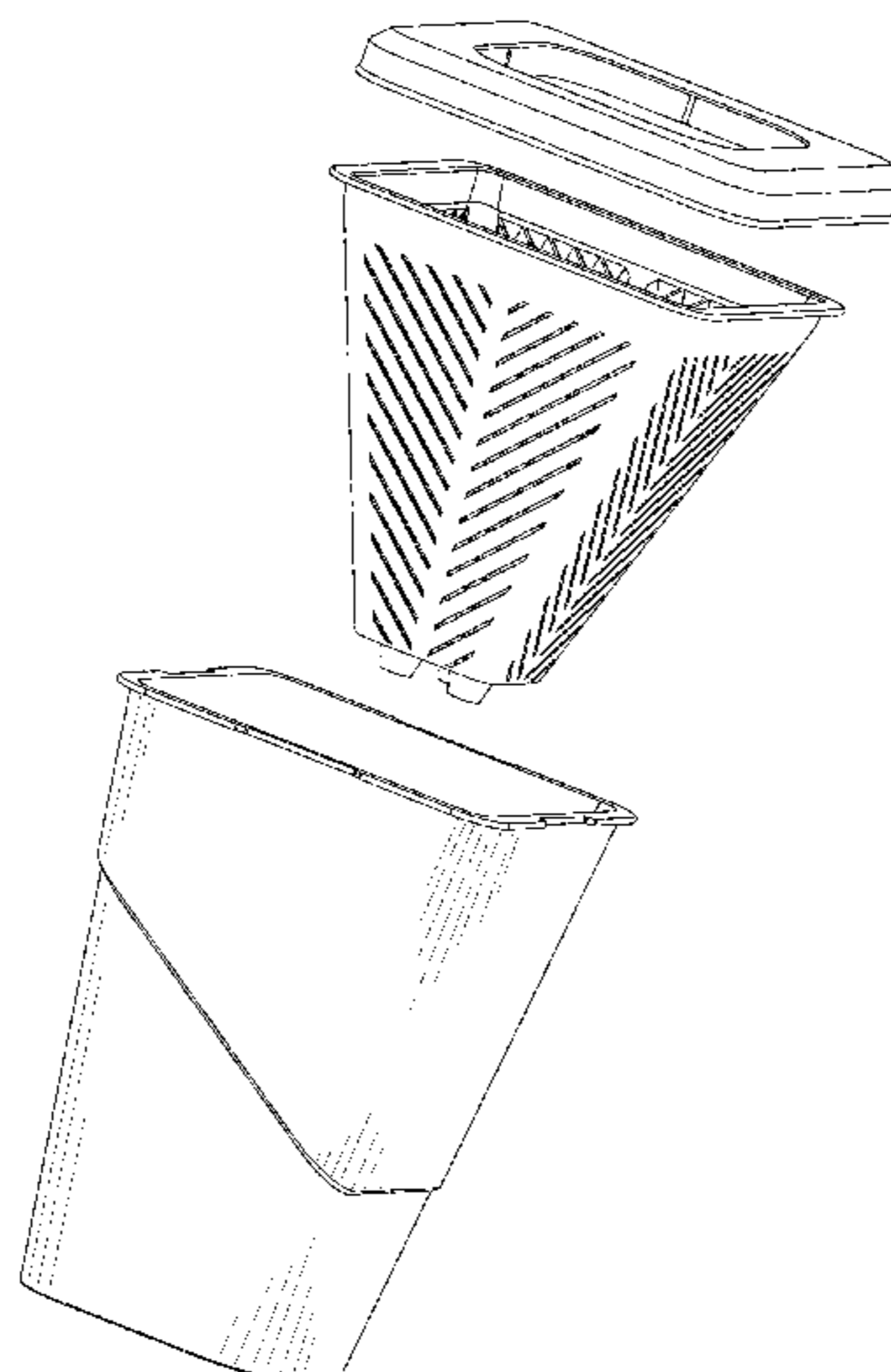
The ornamental design for a fly trap, as shown and described.

**DESCRIPTION**

FIG. 1 is a perspective view of a first embodiment of a fly trap showing my new design;  
FIG. 2 is another perspective view thereof;  
FIG. 3 is a front elevational view thereof;

FIG. 4 is a rear elevational view thereof;  
FIG. 5 is a right side elevational view thereof;  
FIG. 6 is a left side elevational view thereof;  
FIG. 7 is a bottom plan view thereof; and  
FIG. 8 is a top plan view thereof;  
FIG. 9 is an exploded front elevational view of the first embodiment of the fly trap;  
FIG. 10 is an exploded rear elevational view thereof;  
FIG. 11 is an exploded perspective view thereof;  
FIG. 12 is a front elevational view of a trap element of the first embodiment of the fly trap, shown separately for ease of illustration;  
FIG. 13 is a rear elevational view thereof;  
FIG. 14 is a left elevational side view thereof;  
FIG. 15 is a right elevational side view thereof;  
FIG. 16 is a bottom plane view thereof;  
FIG. 17 is a top plane view thereof;  
FIG. 18 is a perspective view thereof;  
FIG. 19 is a perspective view of a second embodiment of the fly trap showing my new design;  
FIG. 20 is another perspective view thereof;  
FIG. 21 is a front elevational view thereof;  
FIG. 22 is a rear elevational view thereof;  
FIG. 23 is a right side elevational view thereof;  
FIG. 24 is a left side elevational view thereof;  
FIG. 25 is a bottom plan view thereof; and  
FIG. 26 is a top plan view thereof;  
FIG. 27 is an exploded front elevational view of the second embodiment of the fly trap;  
FIG. 28 is an exploded rear elevational view thereof;  
FIG. 29 is a perspective exploded view thereof;  
FIG. 30 is a front elevational view of a trap element of the second embodiment of the fly trap, shown separately for ease of illustration;  
FIG. 31 is a rear elevational view thereof;  
FIG. 32 is a left side elevational view thereof;  
FIG. 33 is a right side elevational view thereof;  
FIG. 34 is a bottom plane view thereof;  
FIG. 35 is a top plane view thereof; and  
FIG. 36 is a perspective view thereof.  
The broken lines in the drawings depict portions of the fly trap that form no part of the claimed design.

**1 Claim, 36 Drawing Sheets**



(58) **Field of Classification Search**

CPC ..... A01M 1/023; A01M 1/04; A01M 1/08;  
A01M 1/14; A01M 1/106; A01M 1/145;  
A01M 1/2016; A01M 29/00; A01M  
29/12; A01M 29/16; A01M 29/18; A01M  
29/34; A01M 2200/01; A01M 2200/011;  
A01M 2200/012

See application file for complete search history.

(56) **References Cited**

U.S. PATENT DOCUMENTS

D522,606 S \* 6/2006 Hoyes ..... D22/122  
D677,892 S \* 3/2013 Van Ness ..... D7/629  
D759,191 S \* 6/2016 De Sousa Francisco .... D22/122  
D778,398 S \* 2/2017 Leier ..... D22/122  
D832,972 S \* 11/2018 Lesniak ..... D22/122  
D935,725 S \* 11/2021 Fitzgerald ..... D34/7

\* cited by examiner

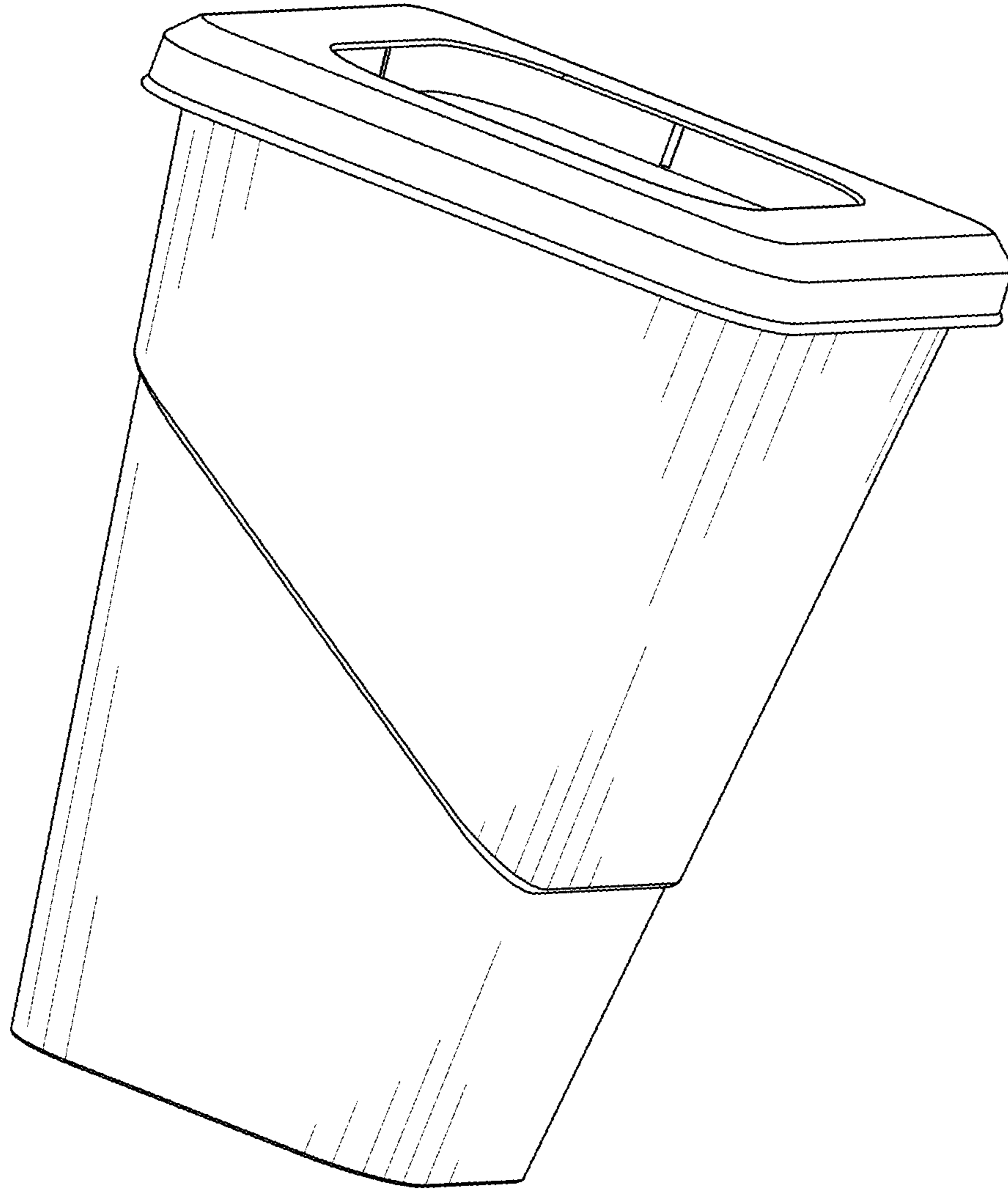


FIG.1

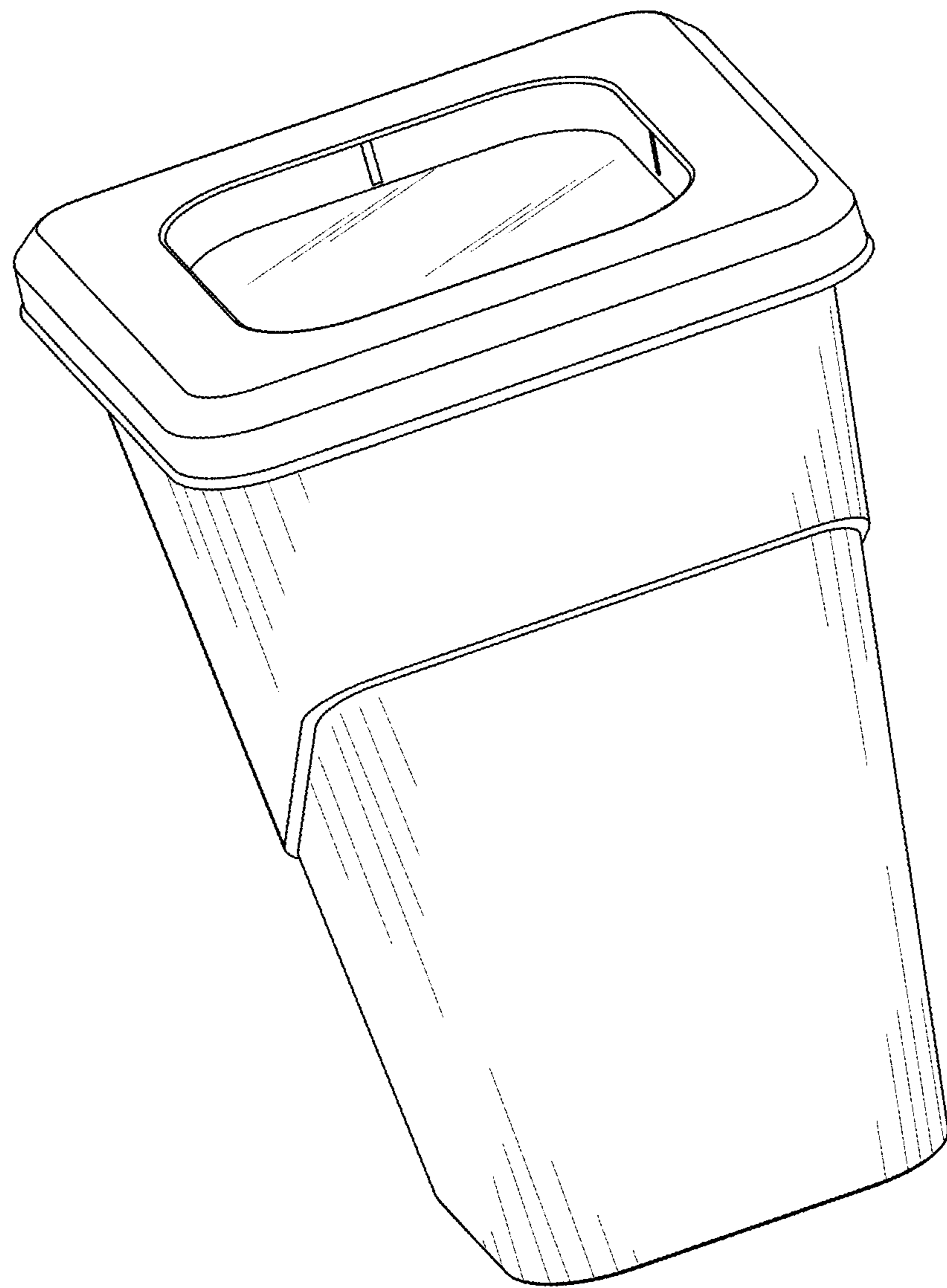


FIG.2

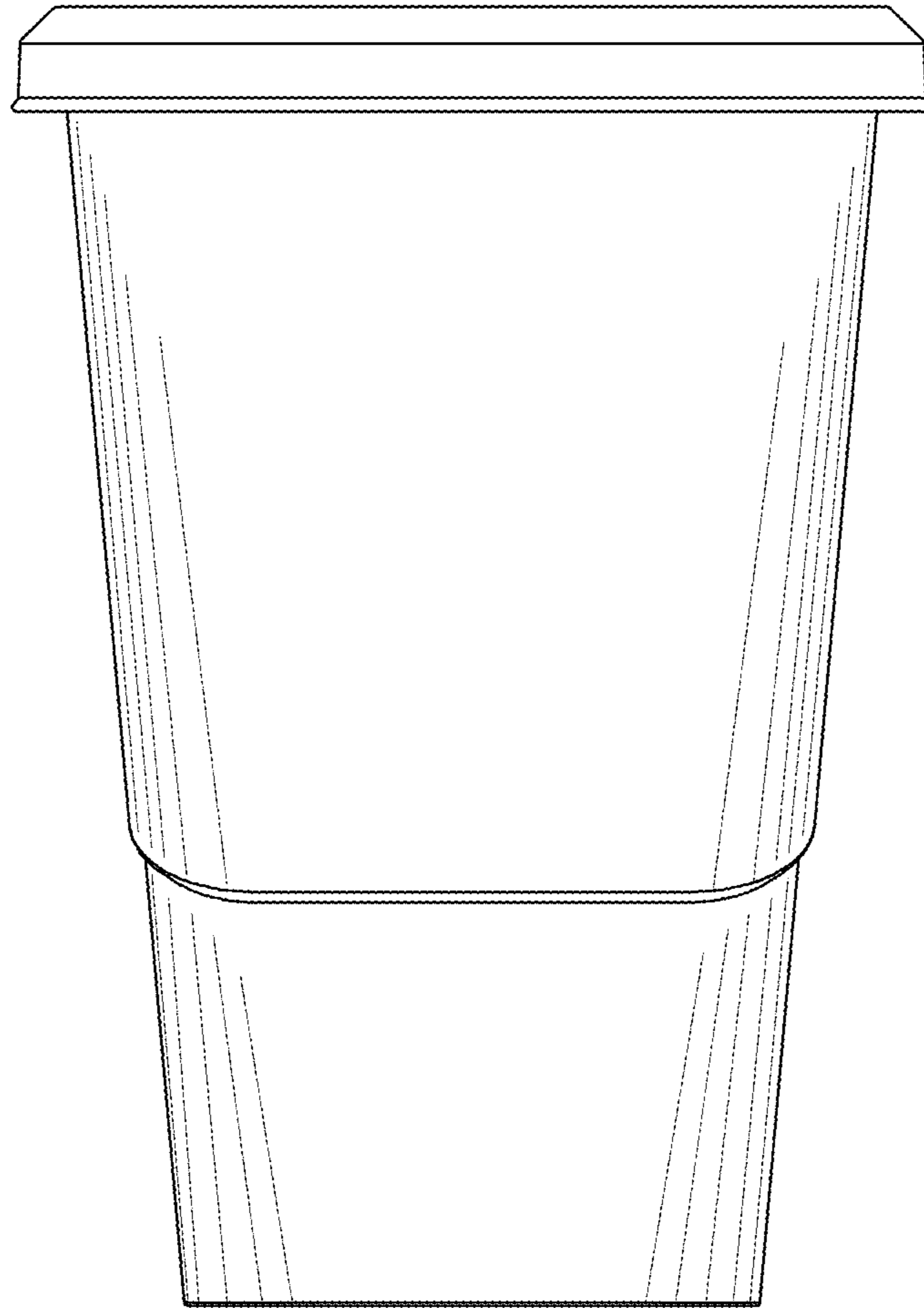


FIG. 3

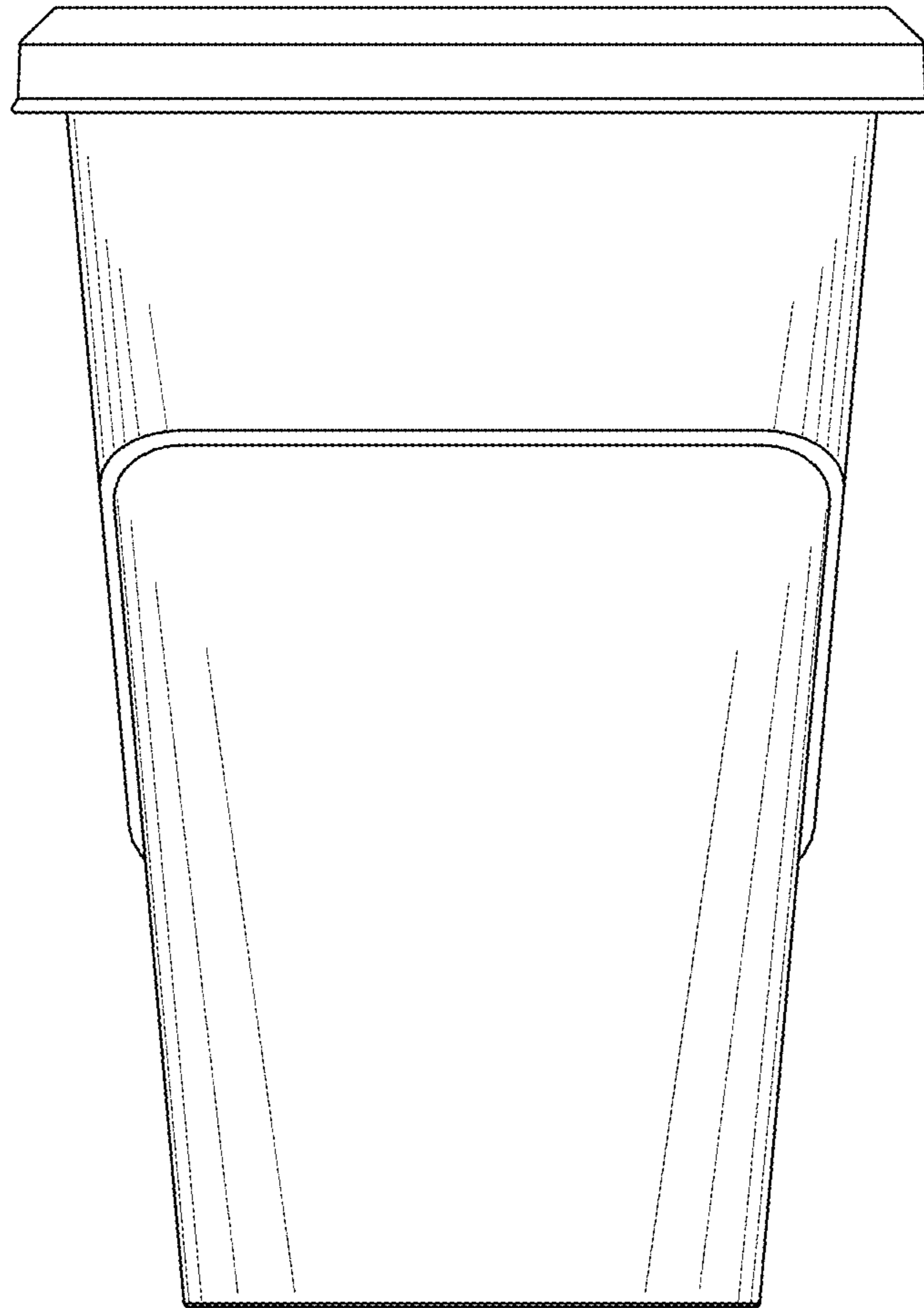


FIG.4

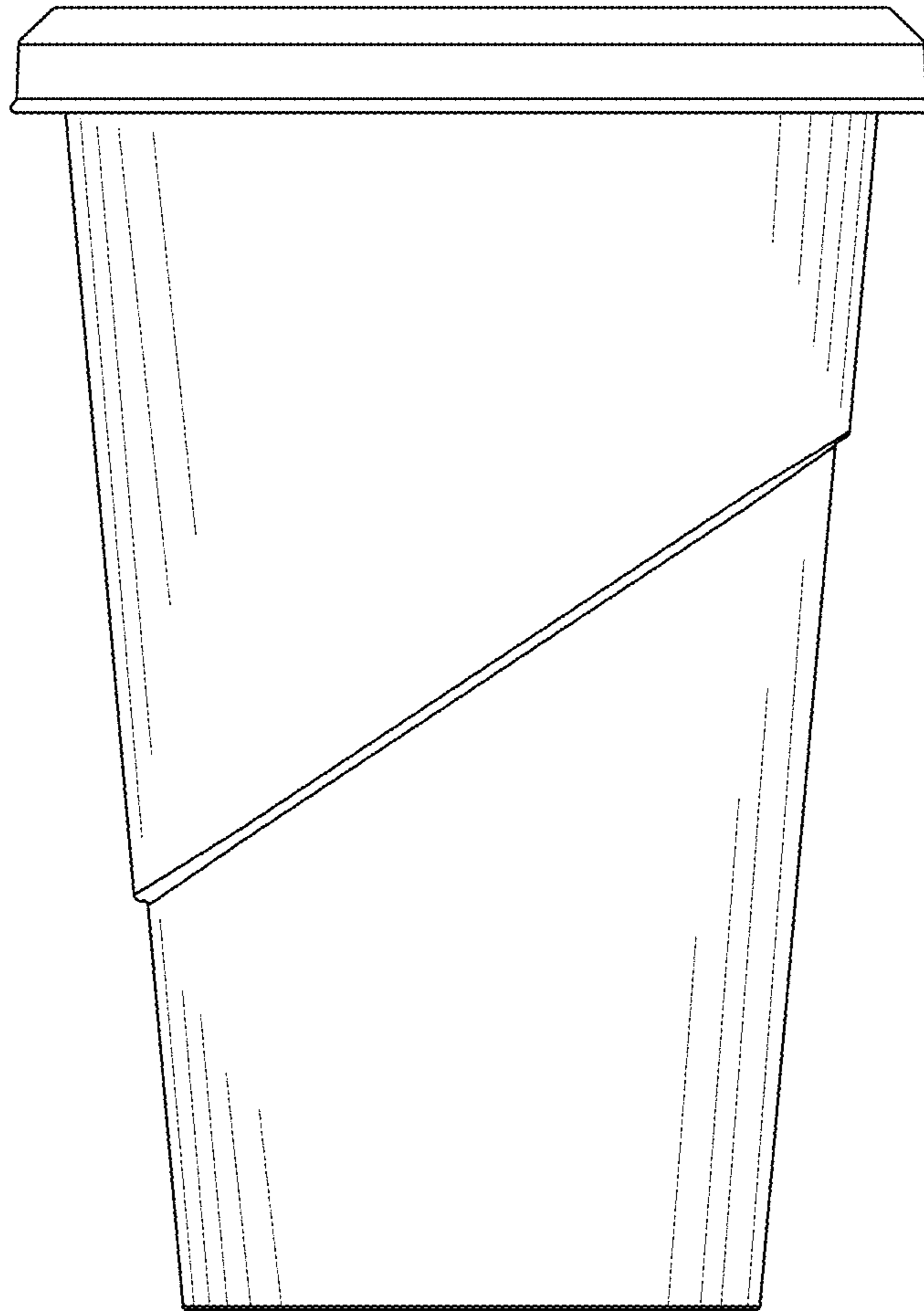


FIG.5

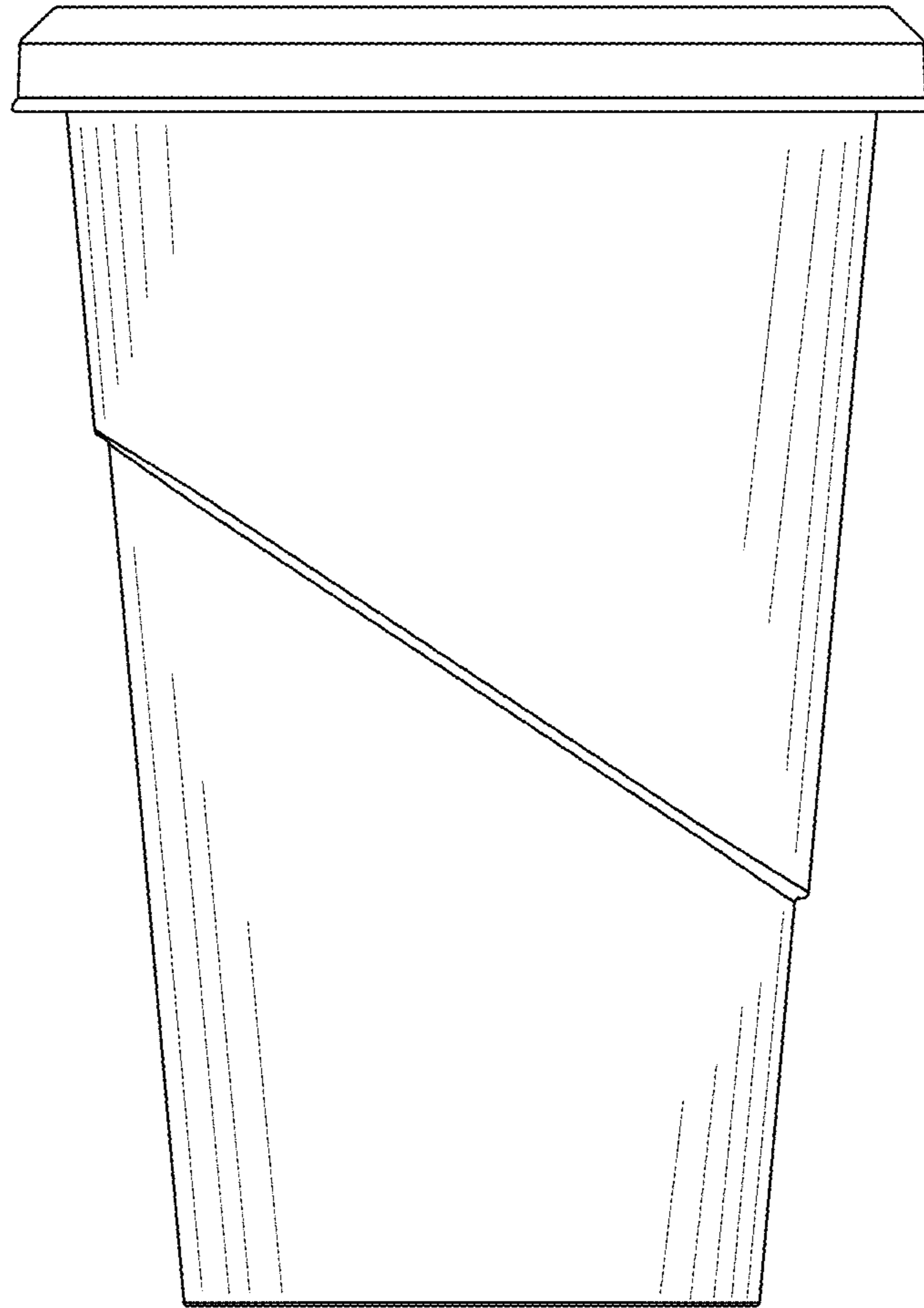


FIG.6



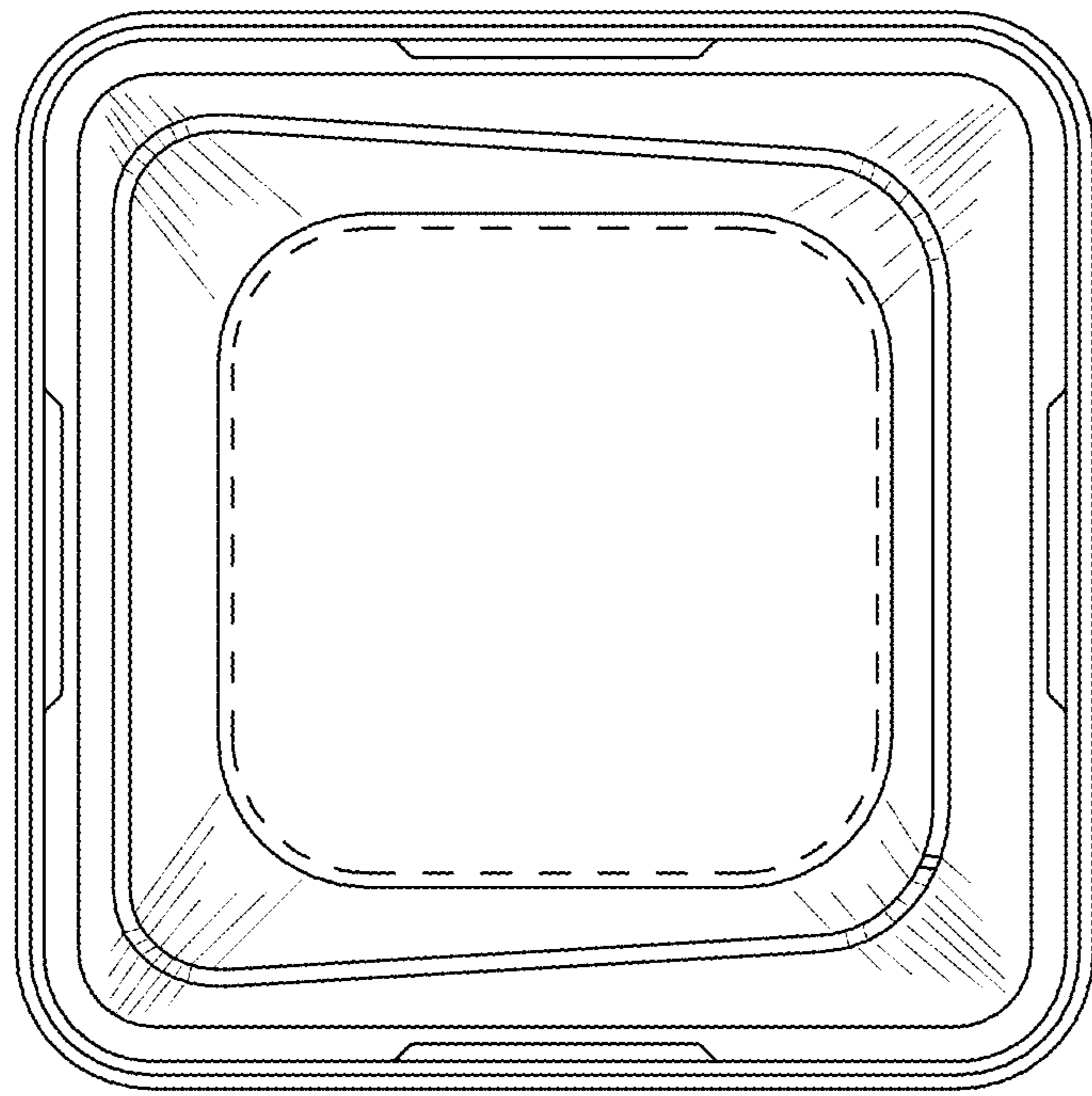


FIG.7

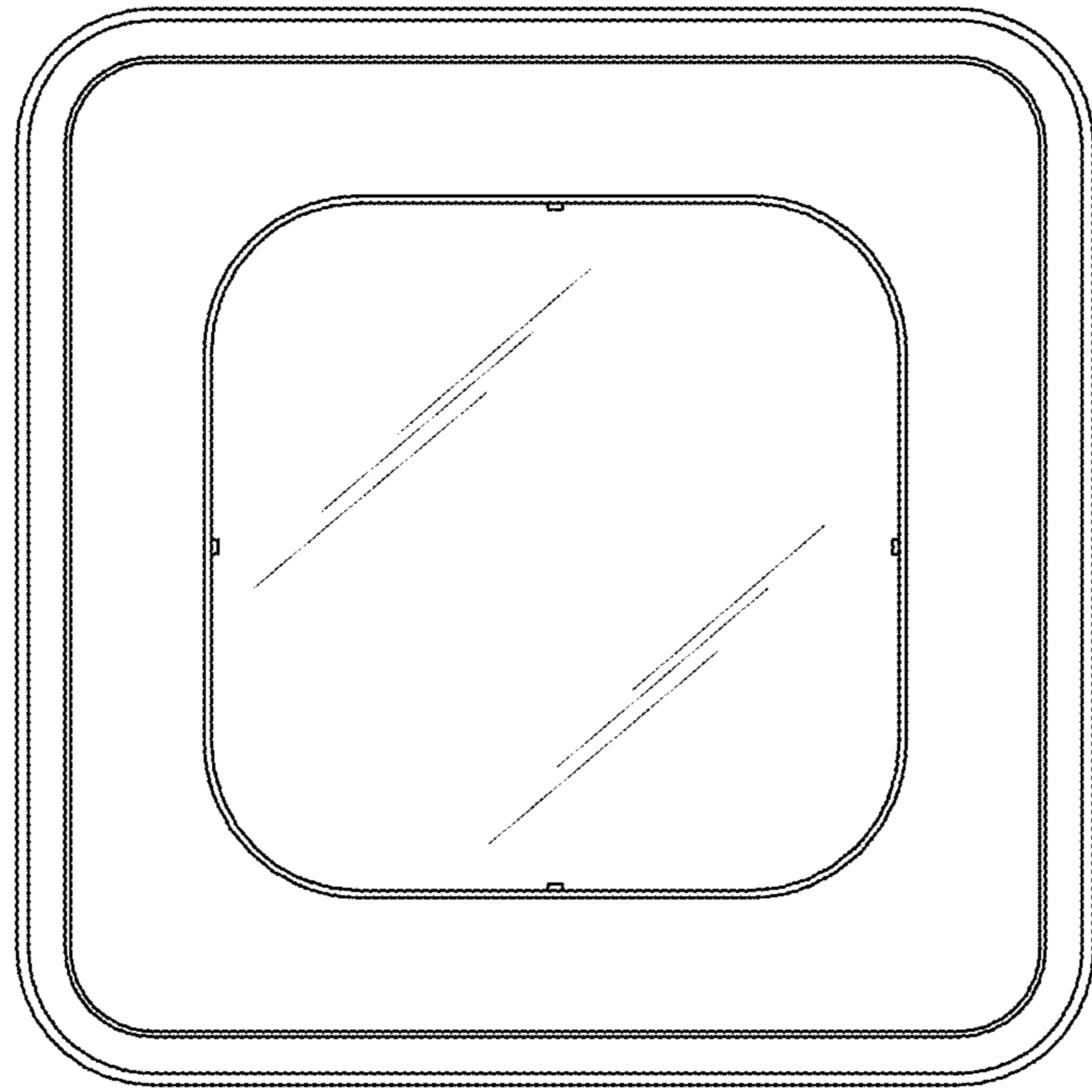


FIG.8

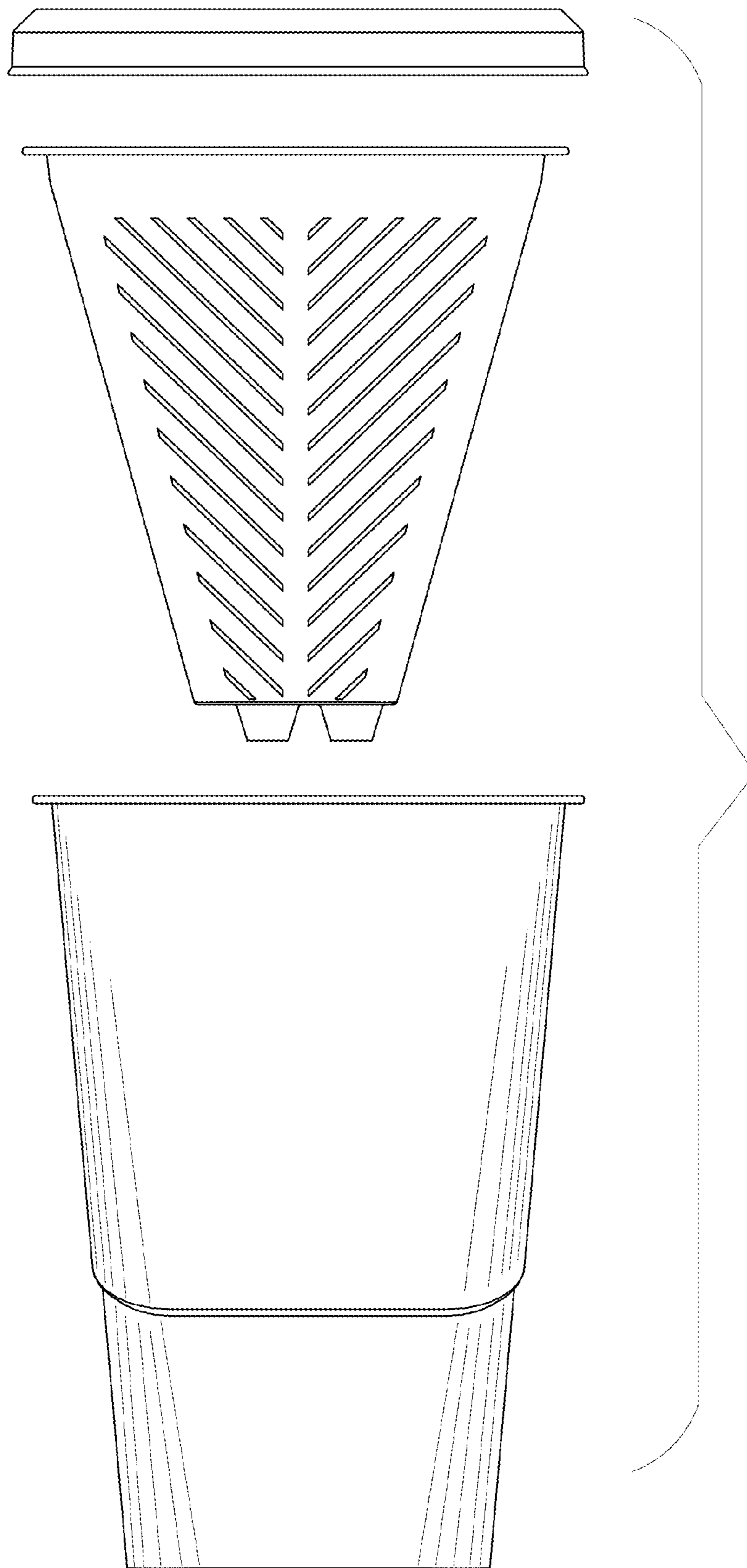


FIG. 9

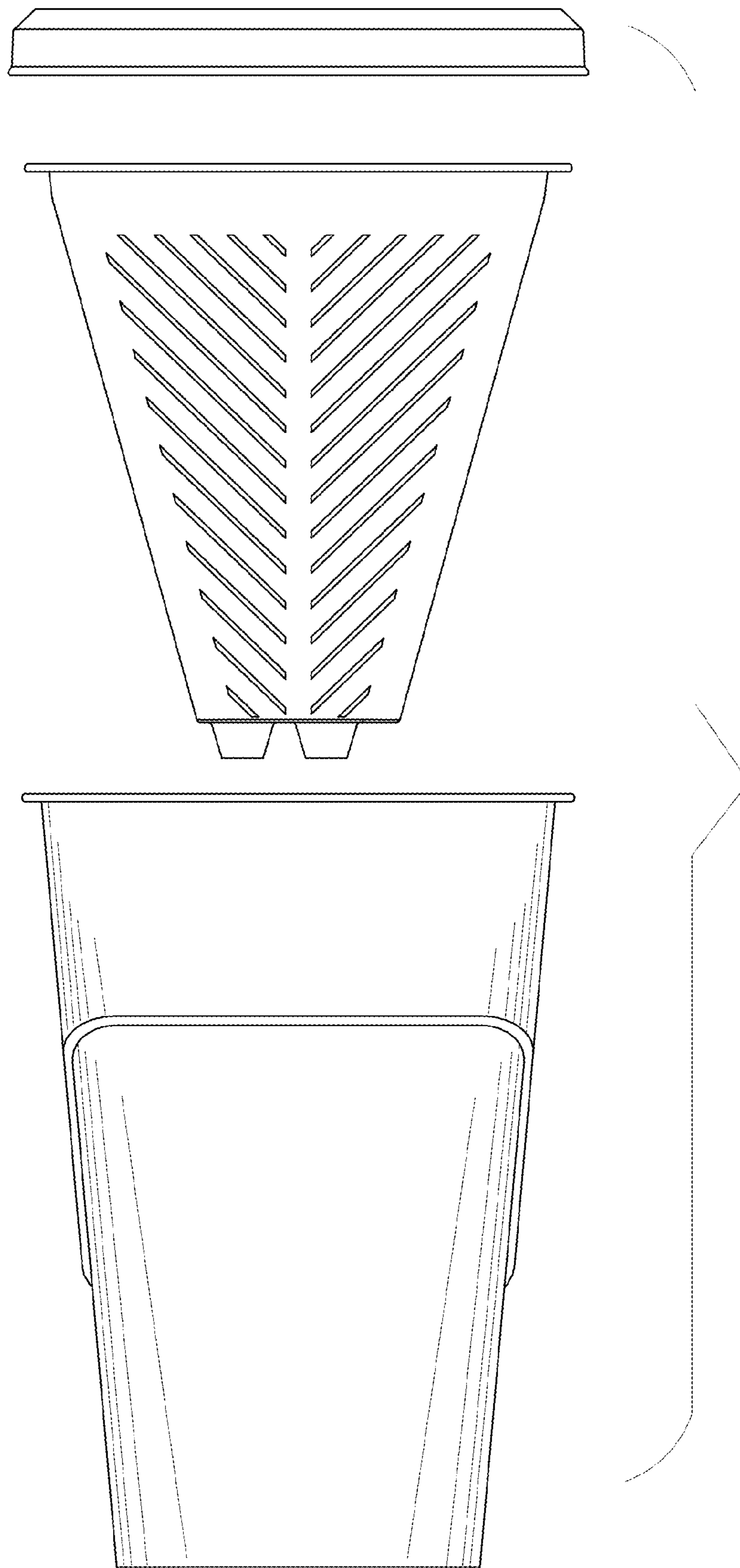


FIG.10

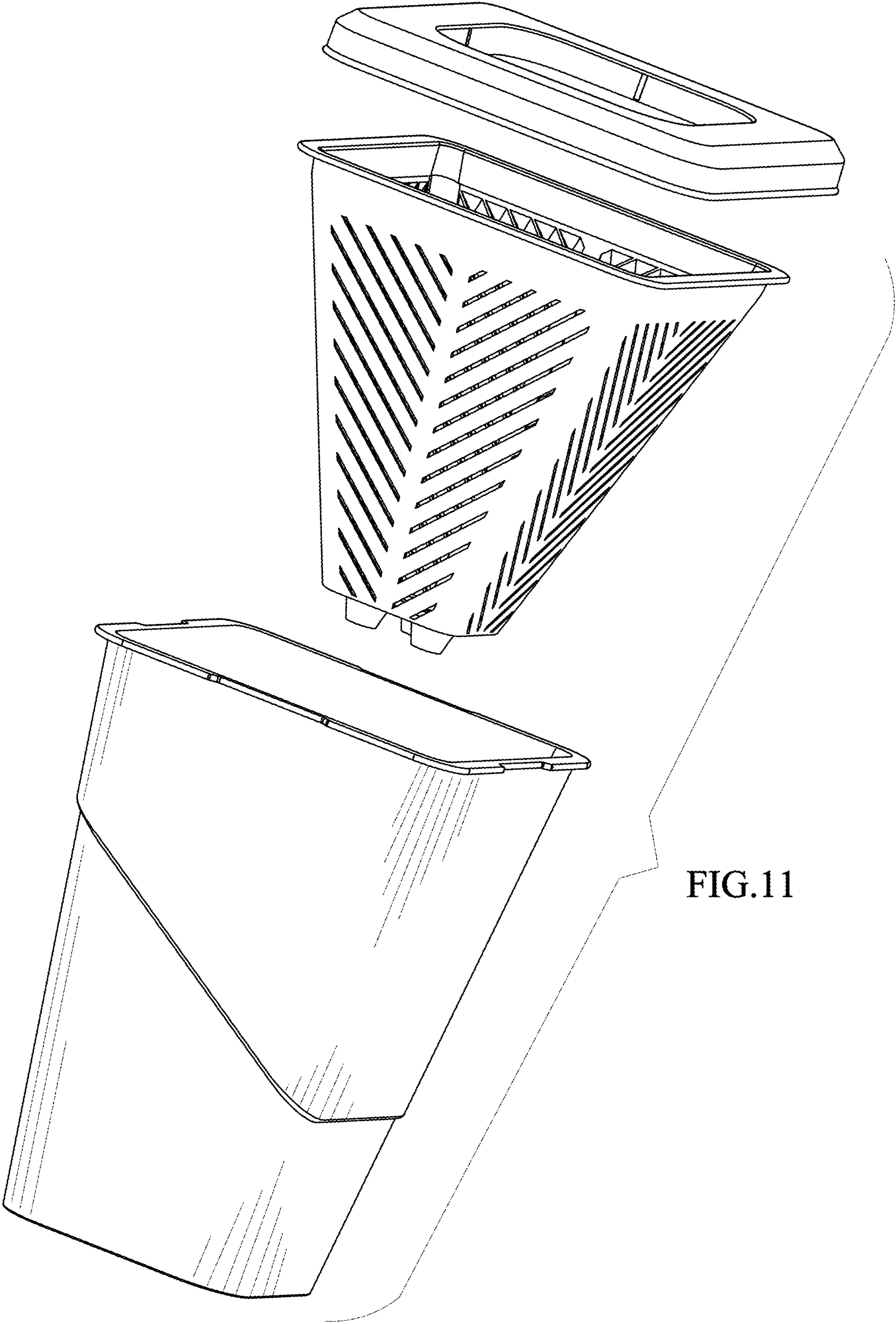


FIG.11

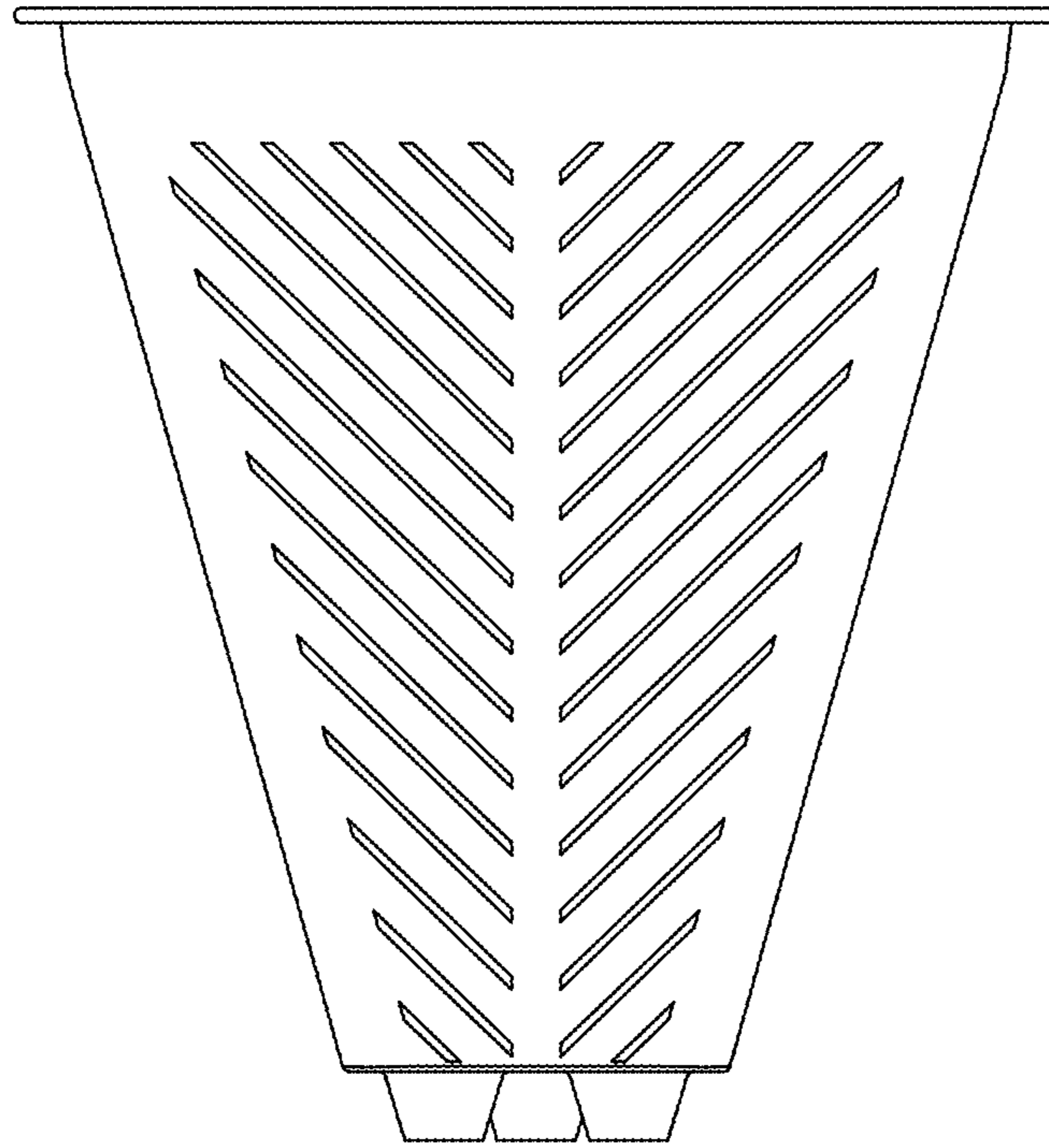


FIG.12

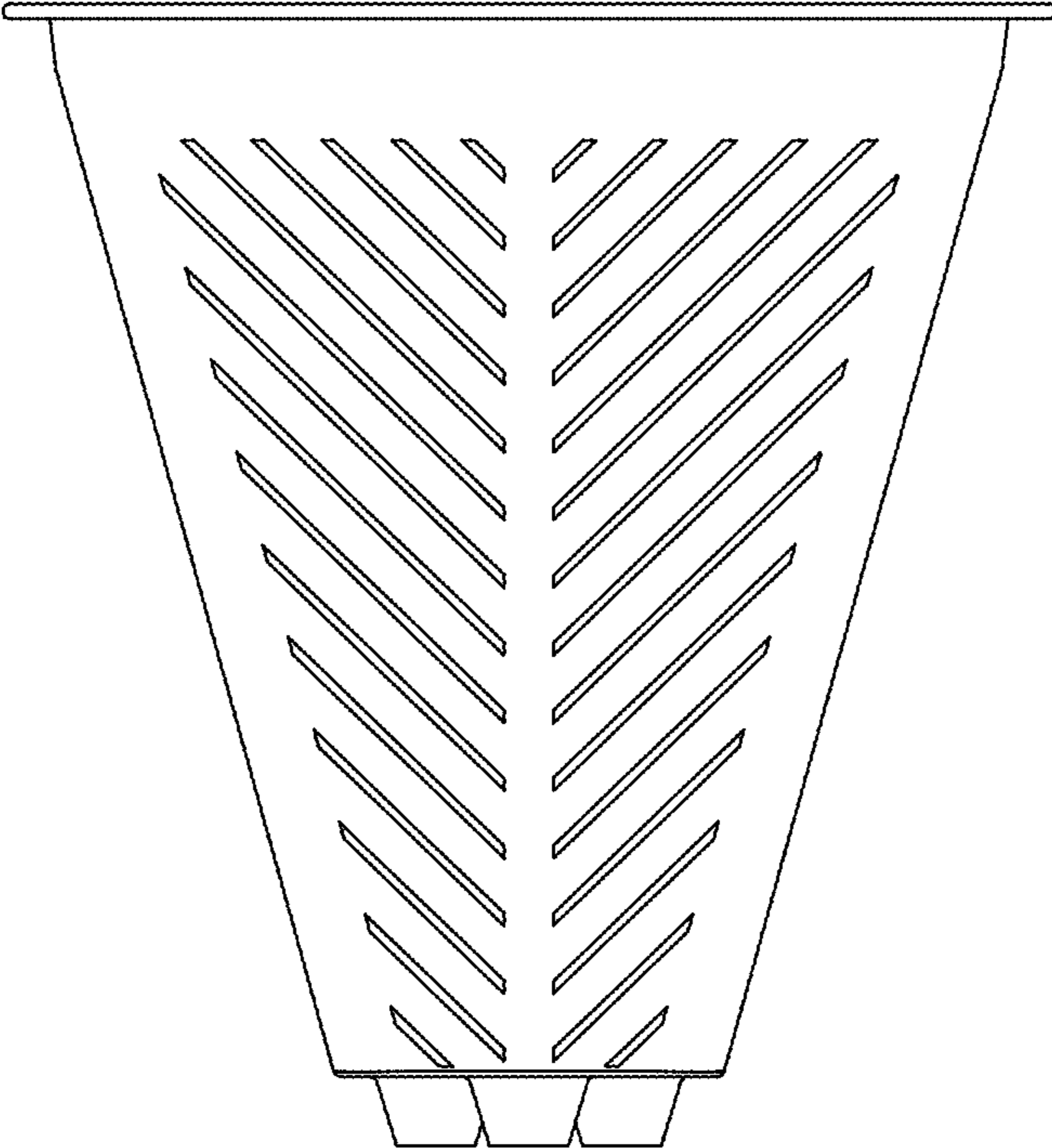


FIG.13

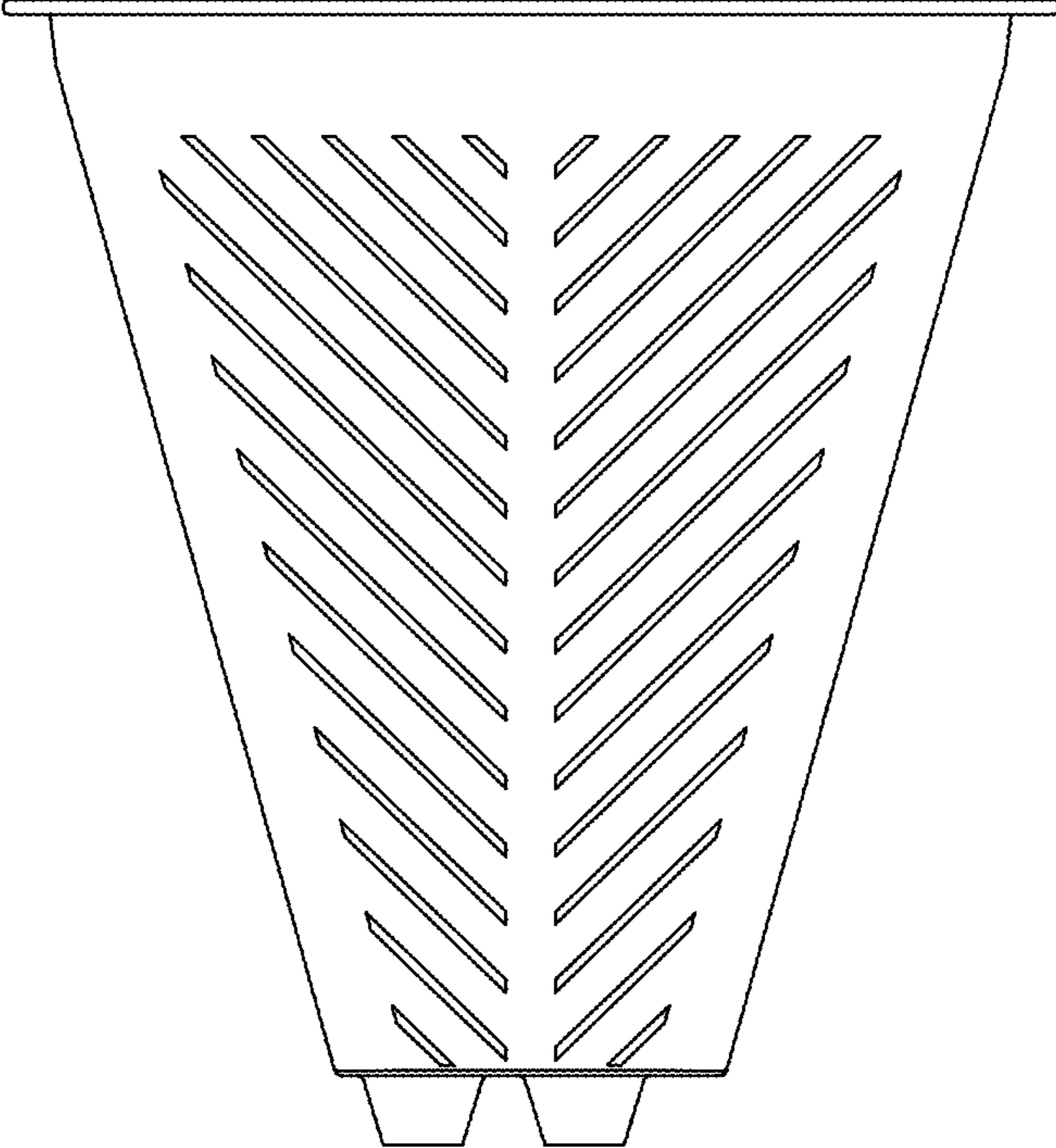


FIG.14



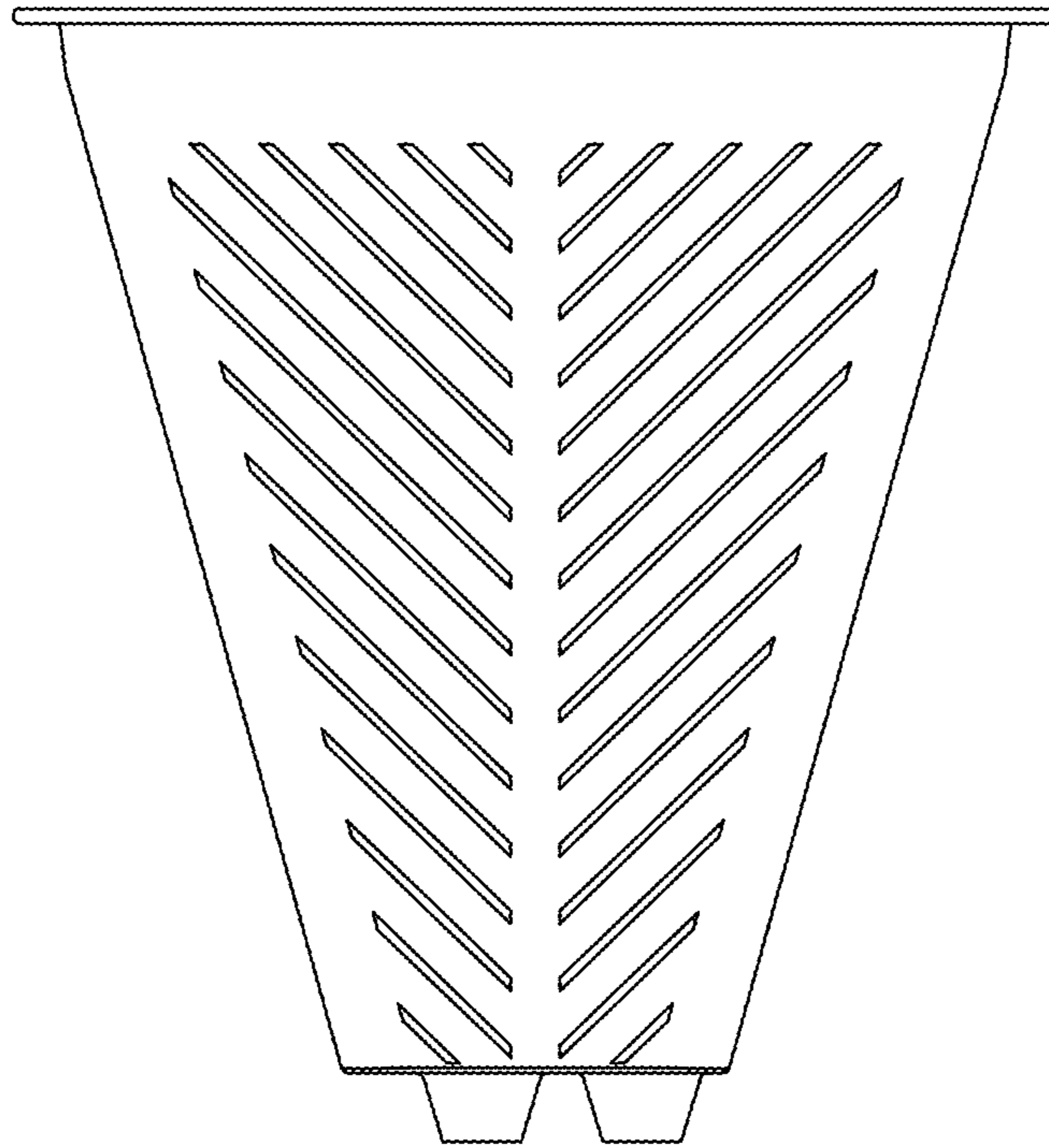


FIG.15

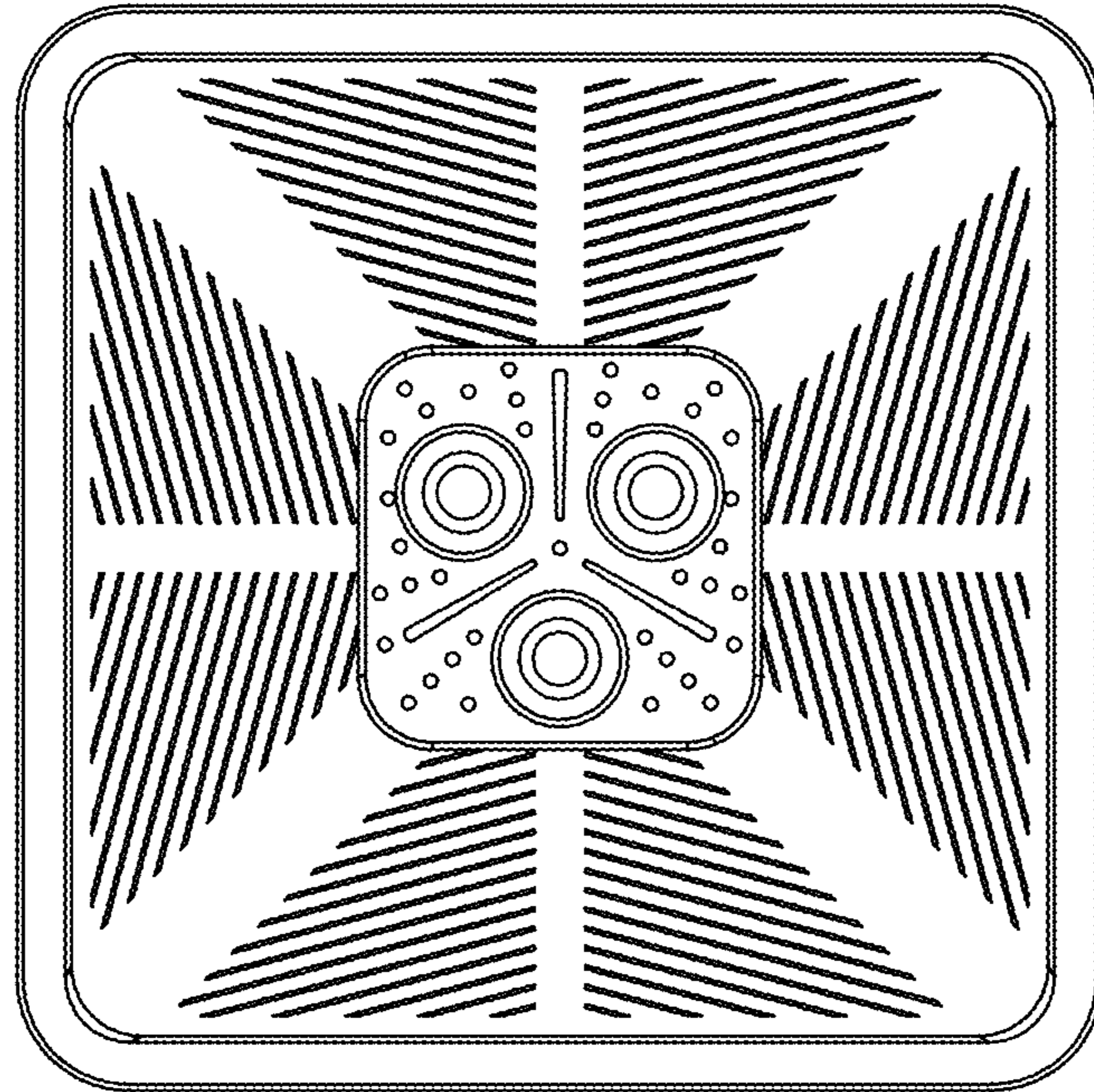


FIG.16

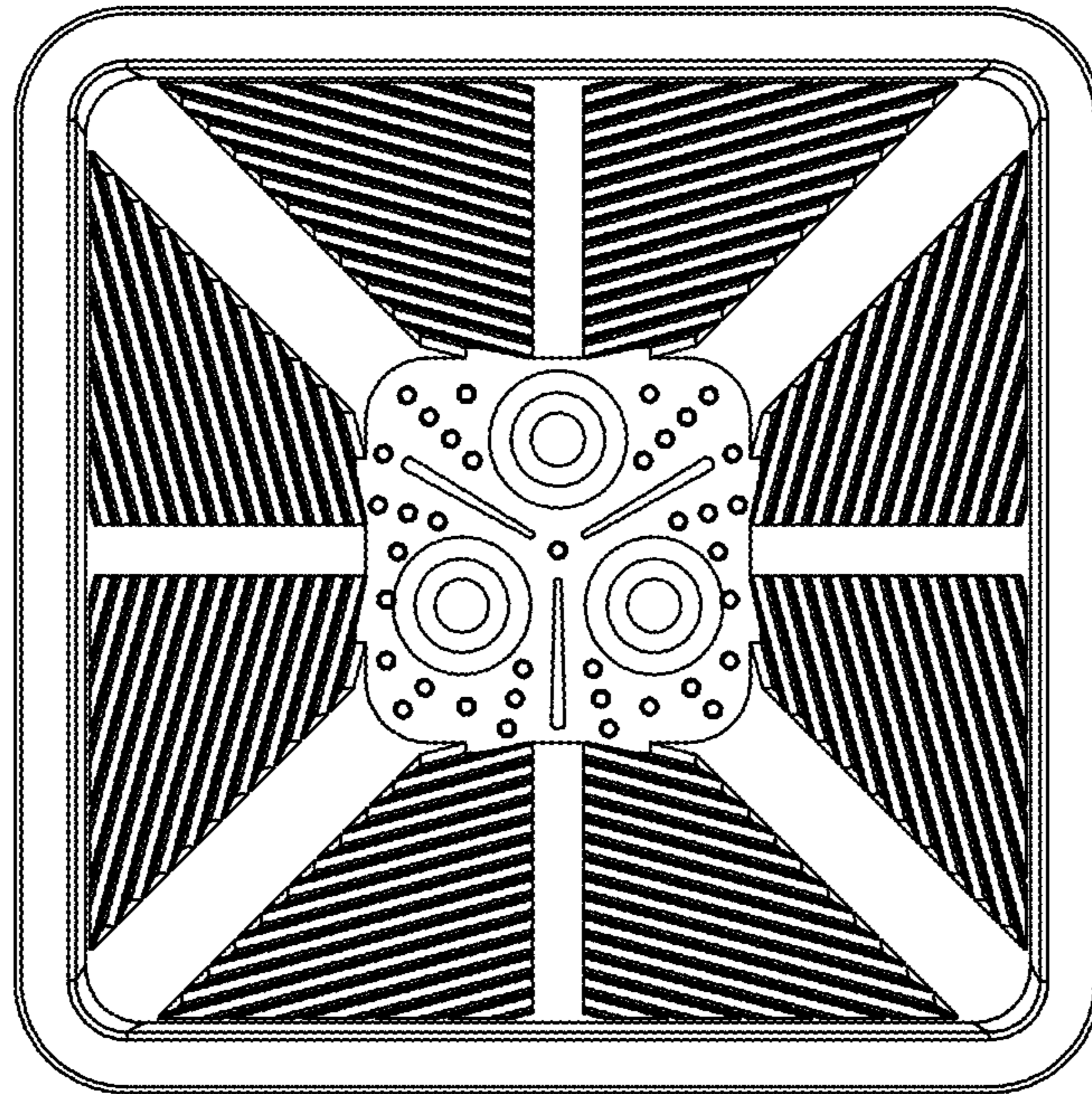


FIG.17

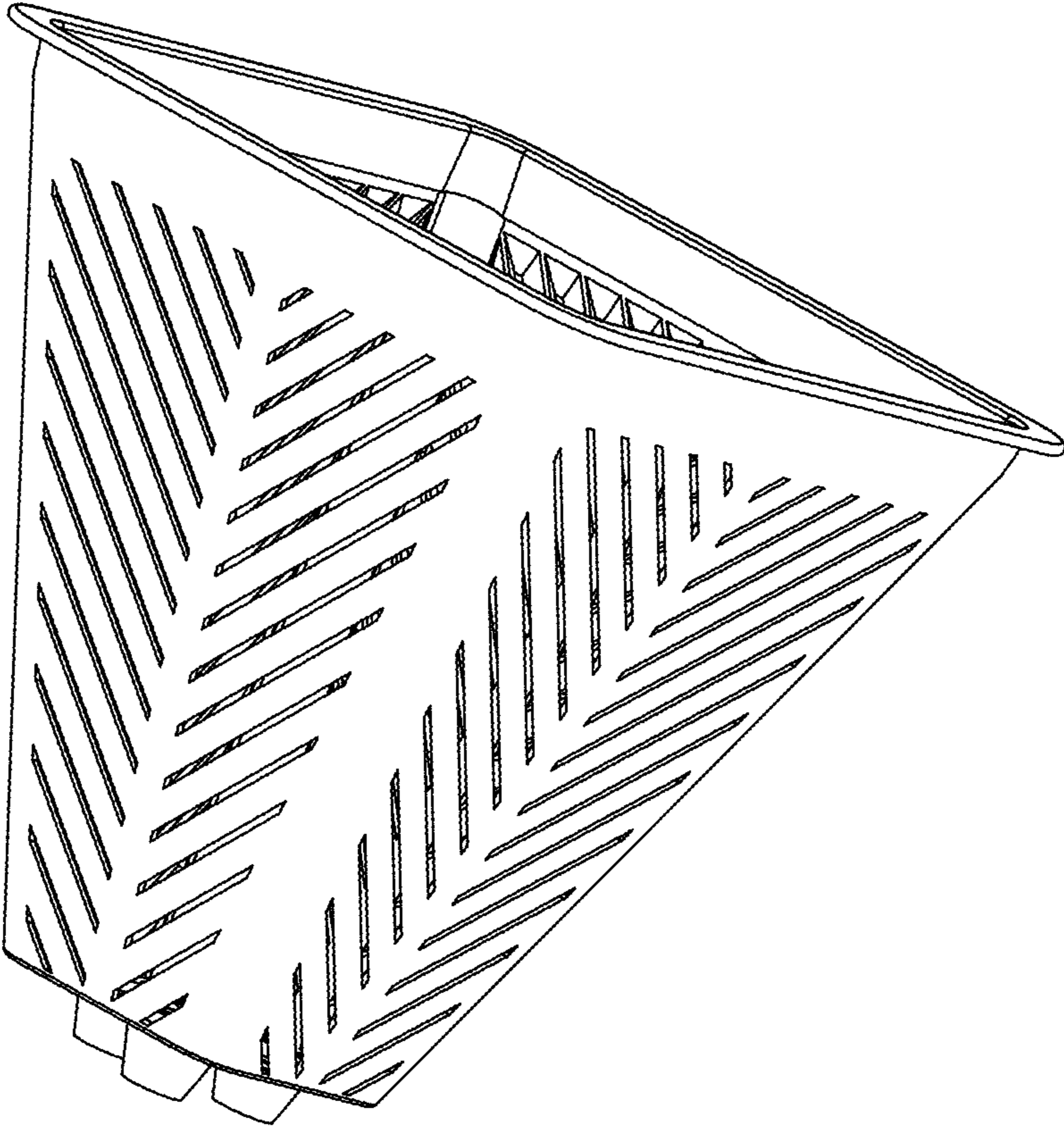


FIG.18

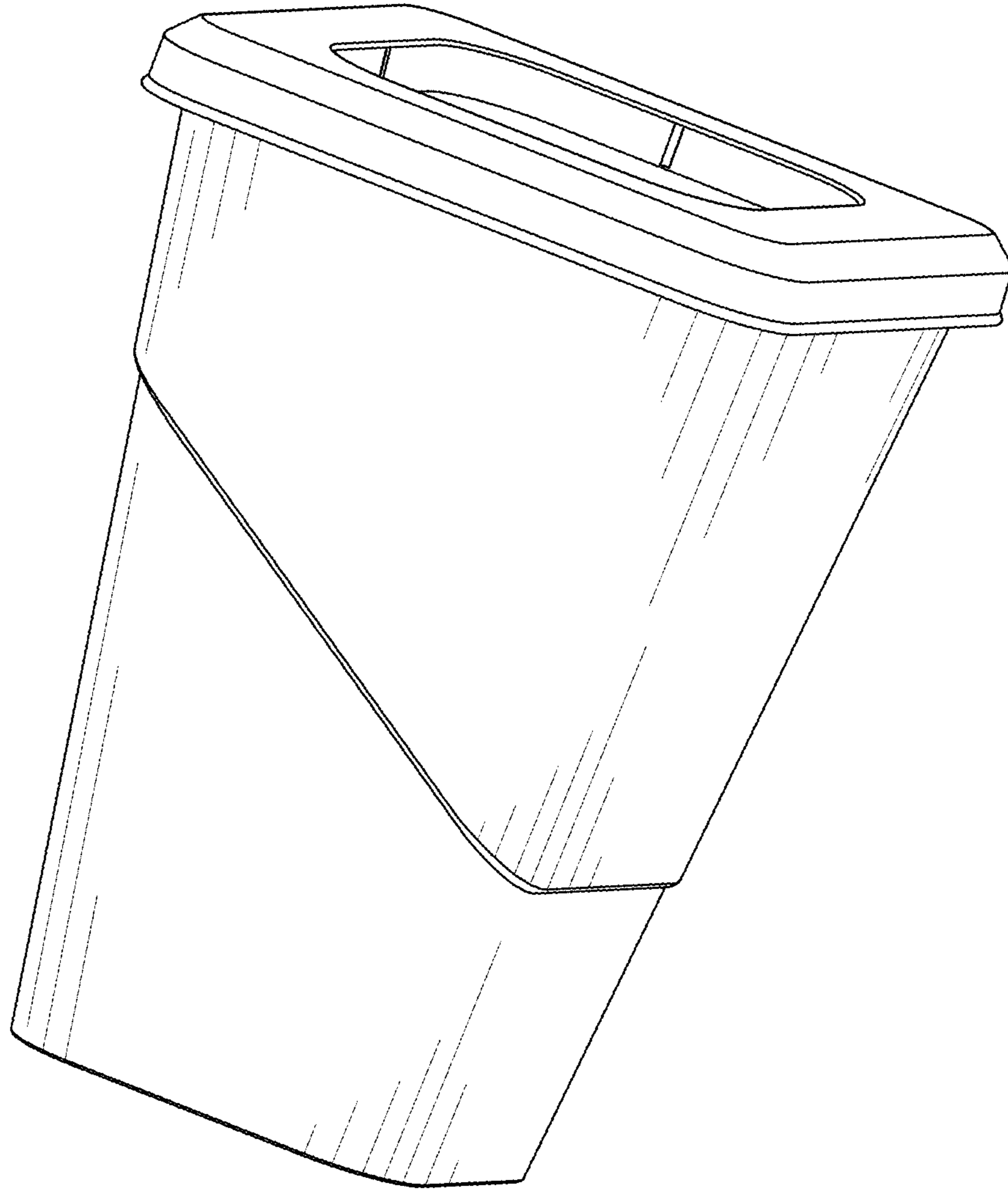


FIG.19

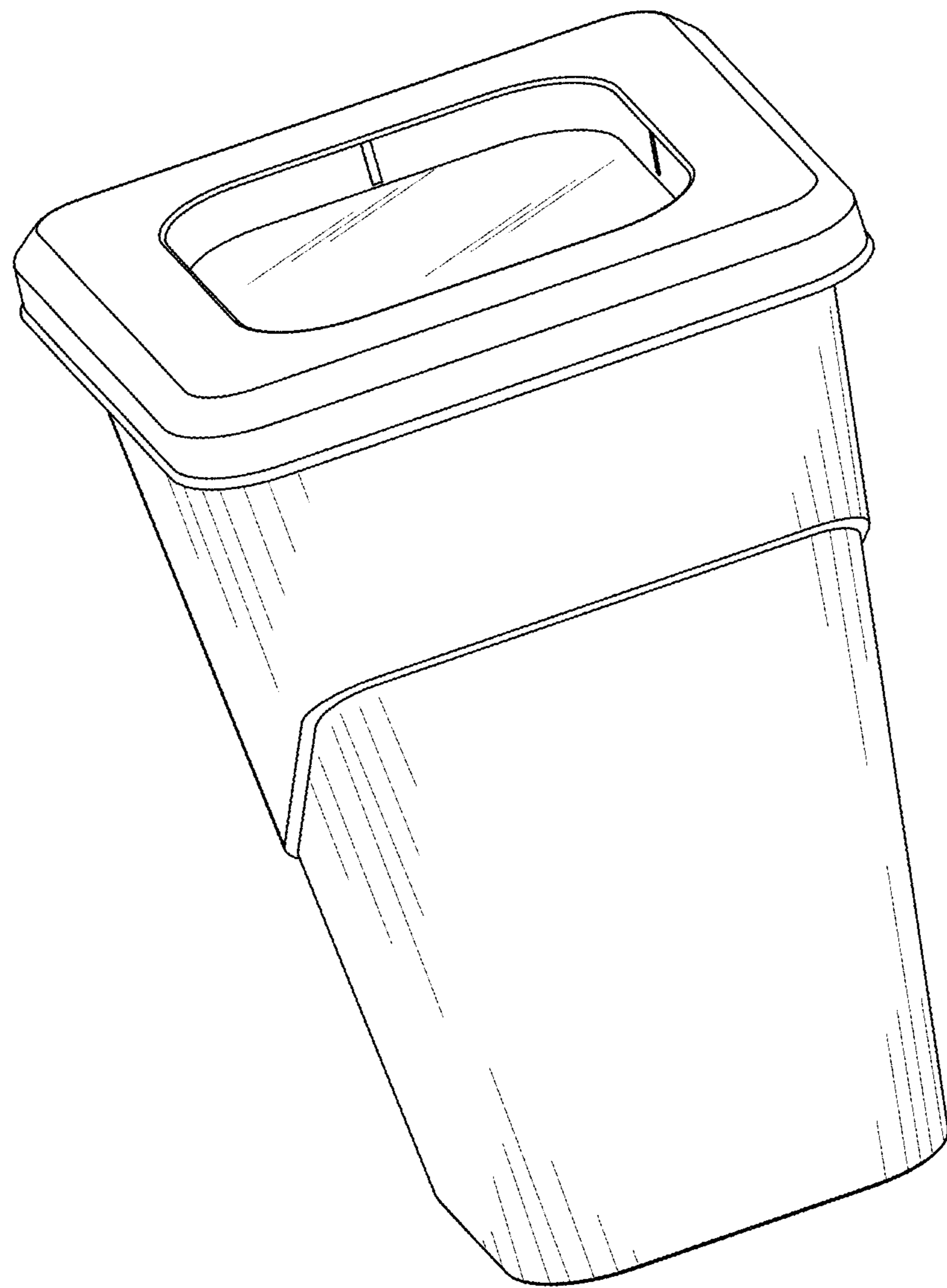


FIG.20

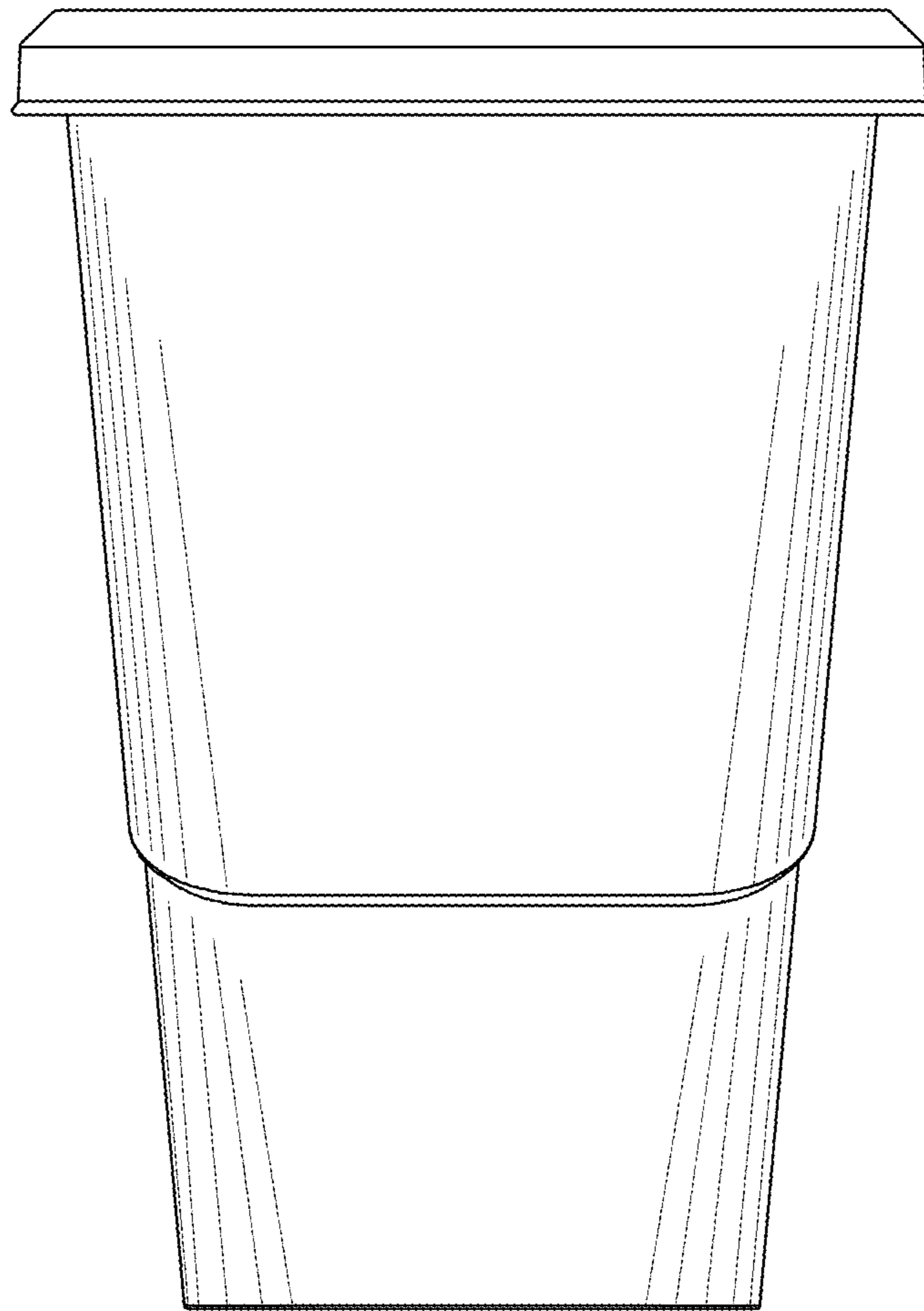


FIG. 21

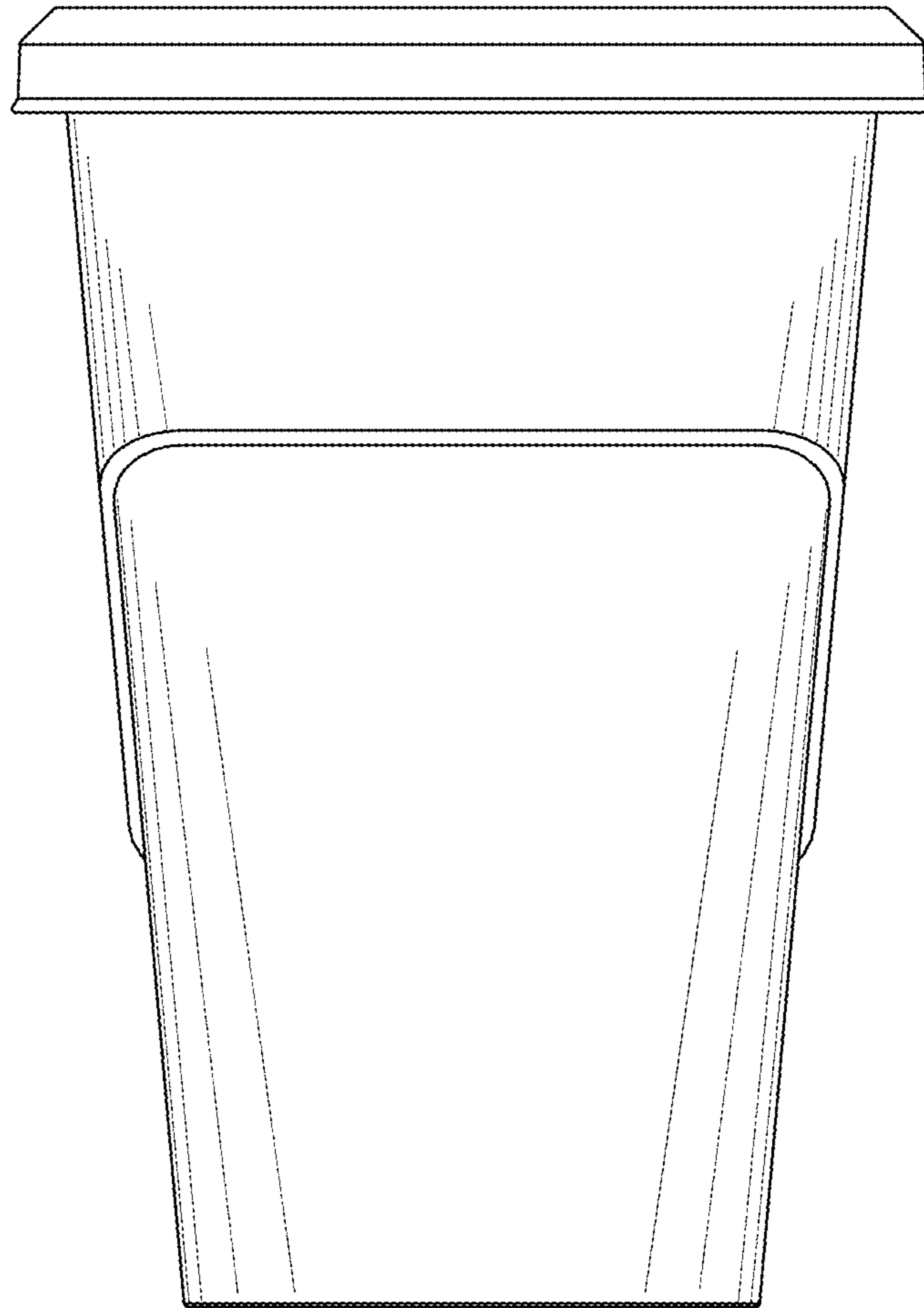


FIG.22



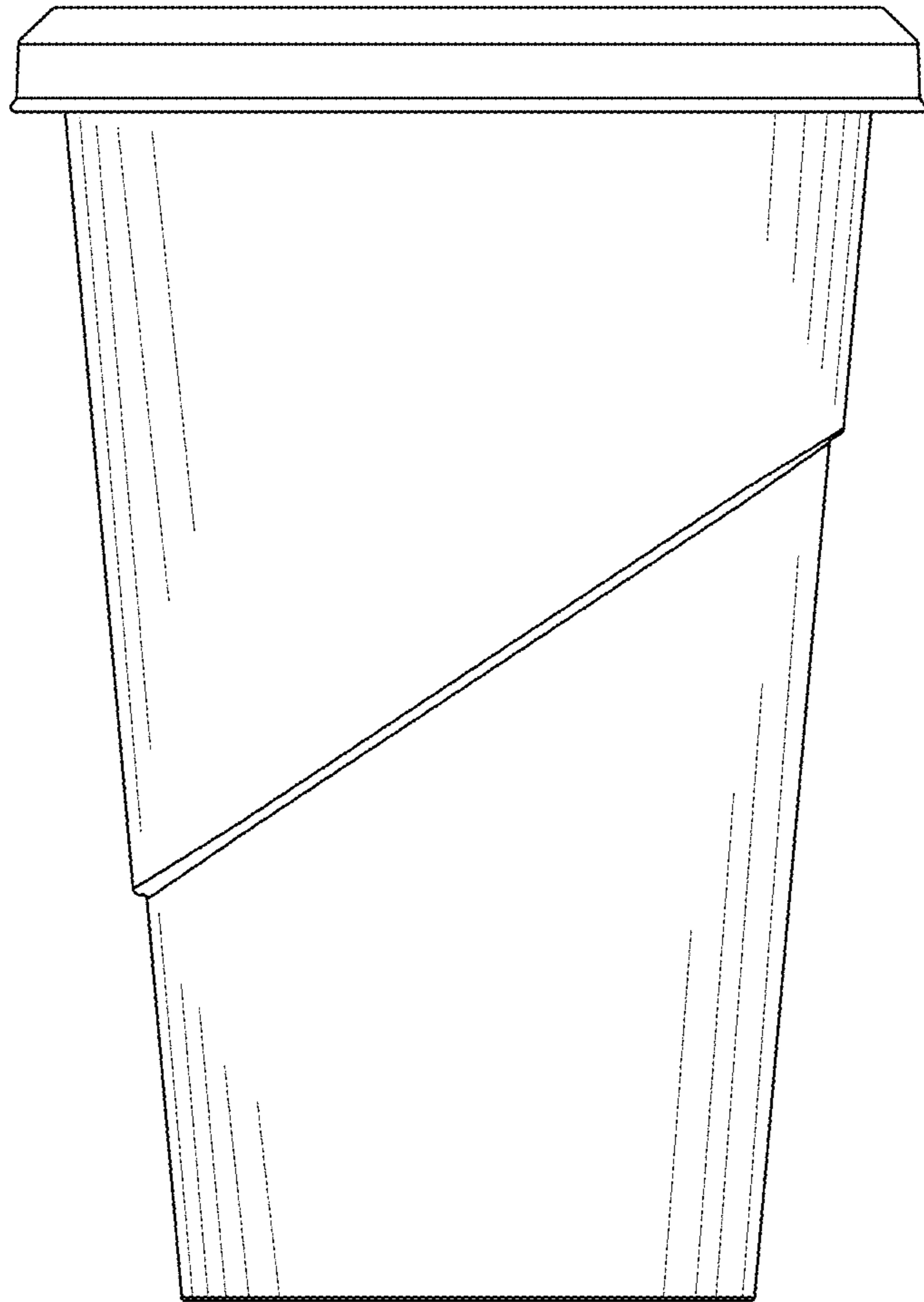


FIG.23

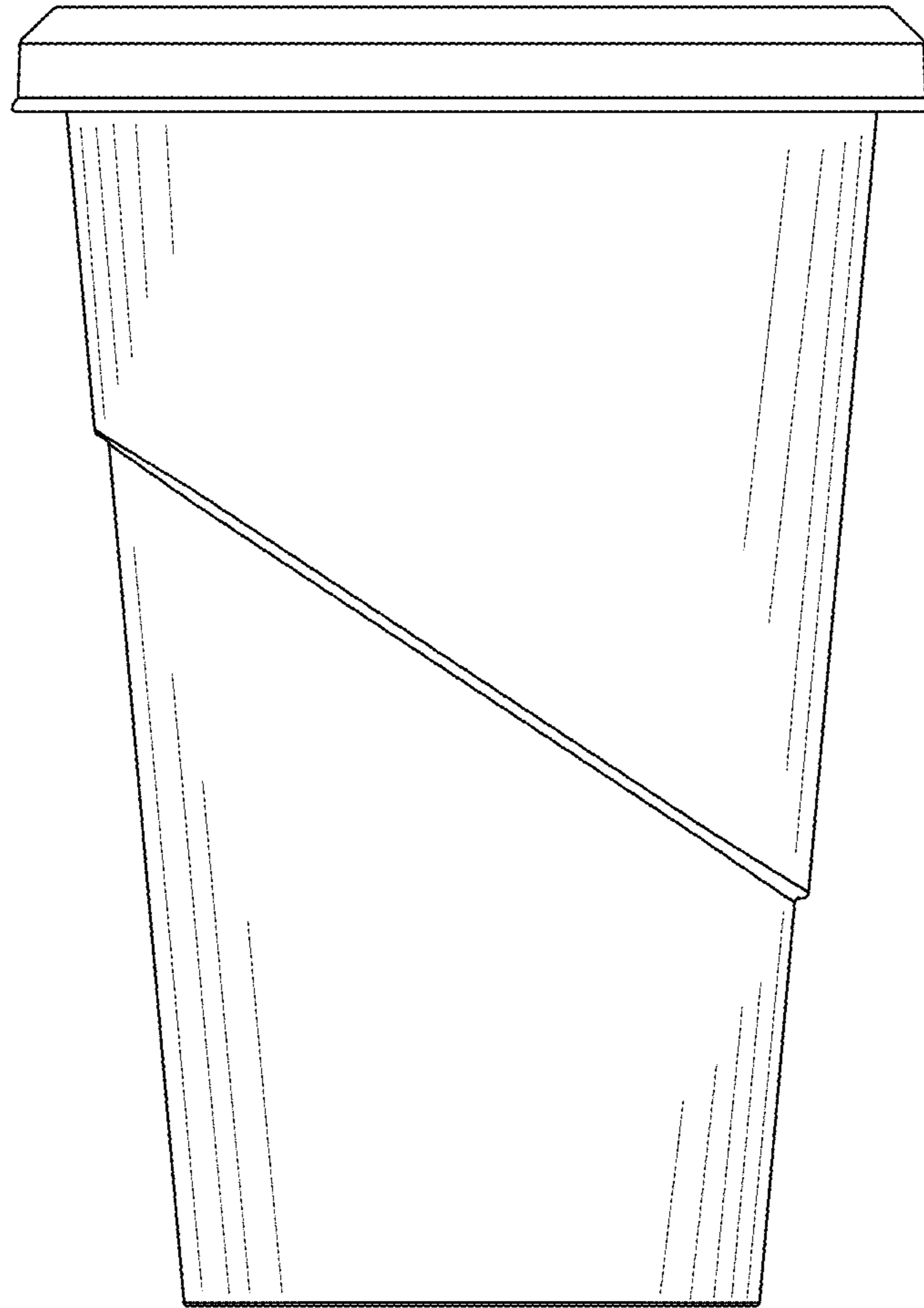


FIG.24

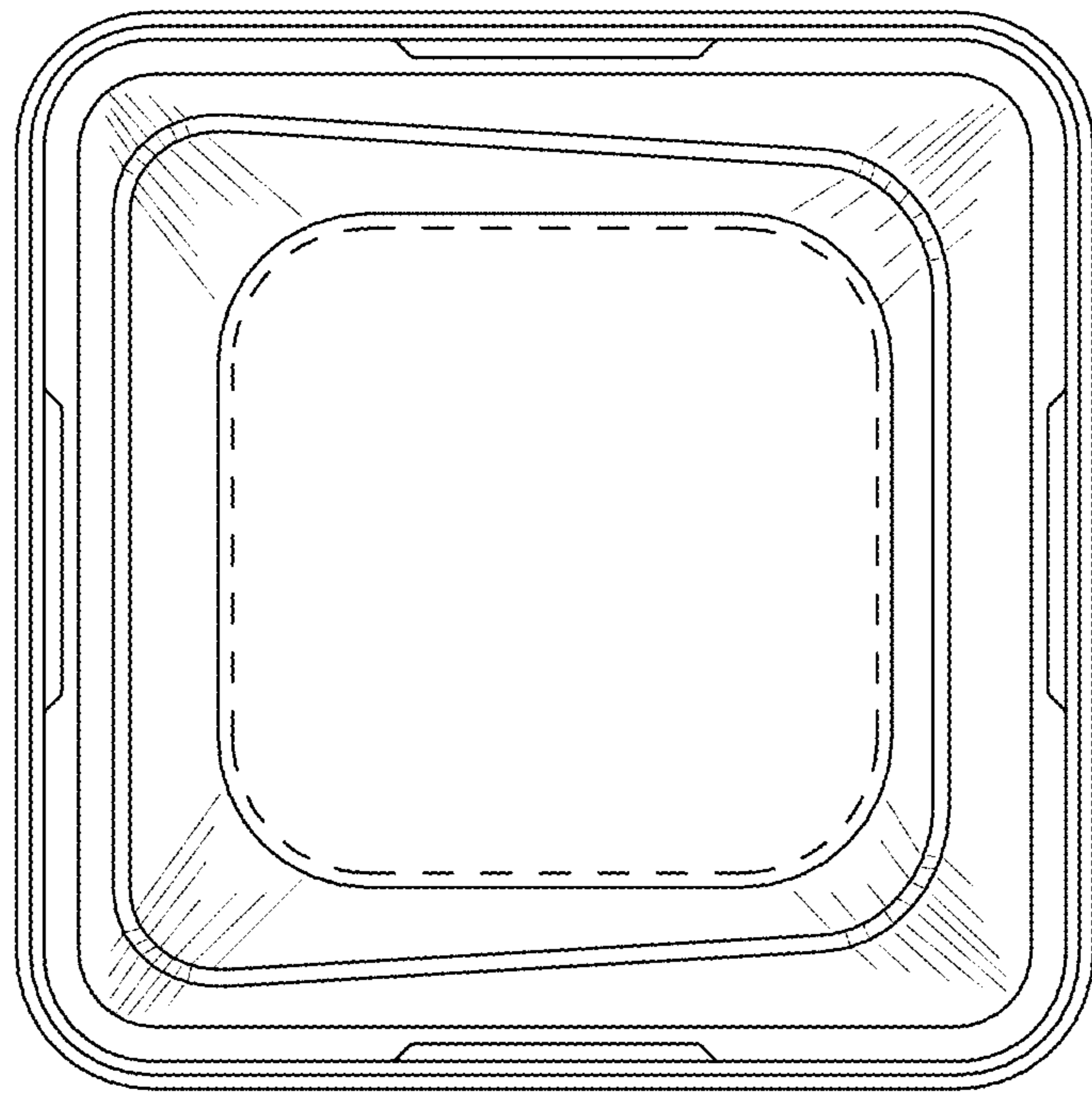


FIG.25

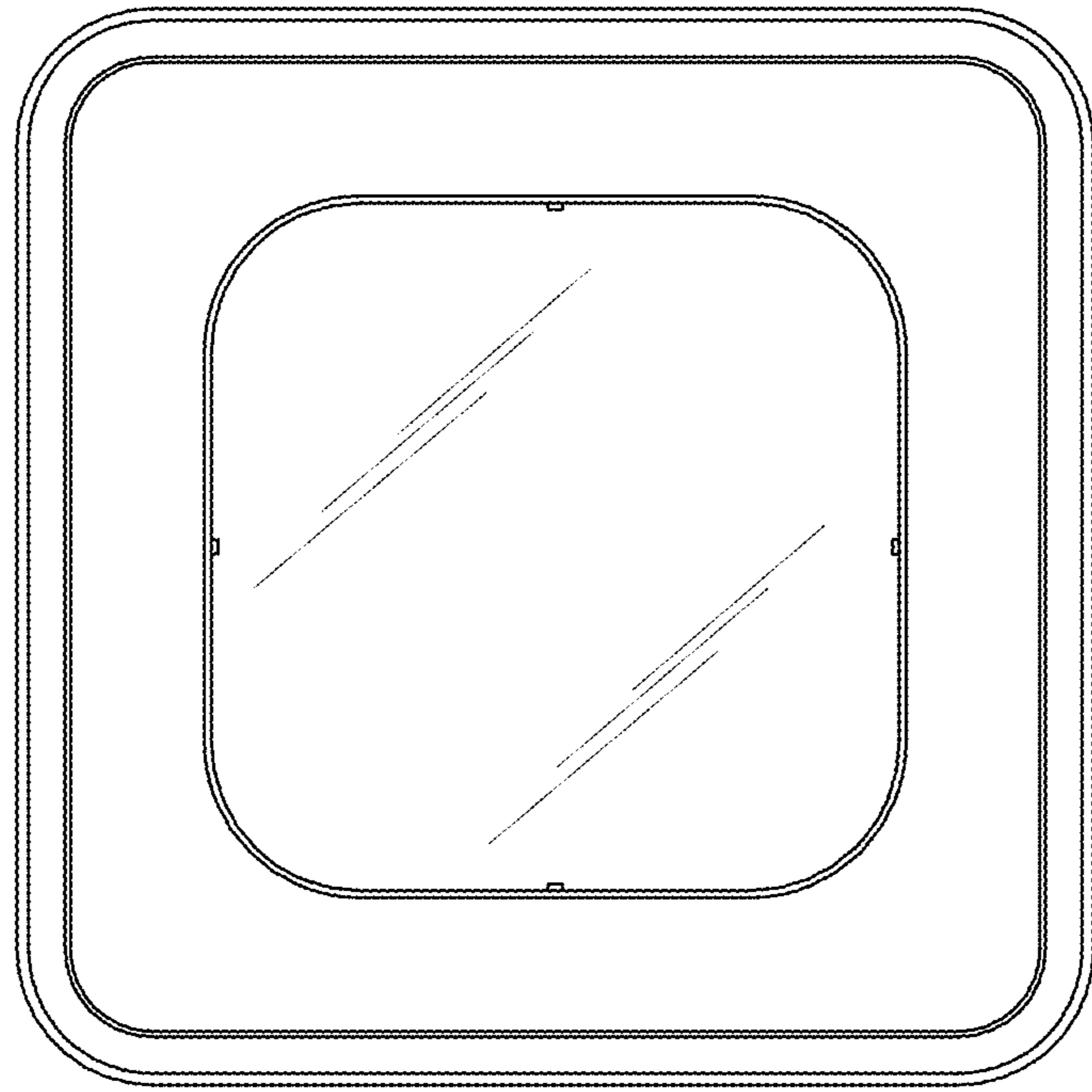


FIG.26

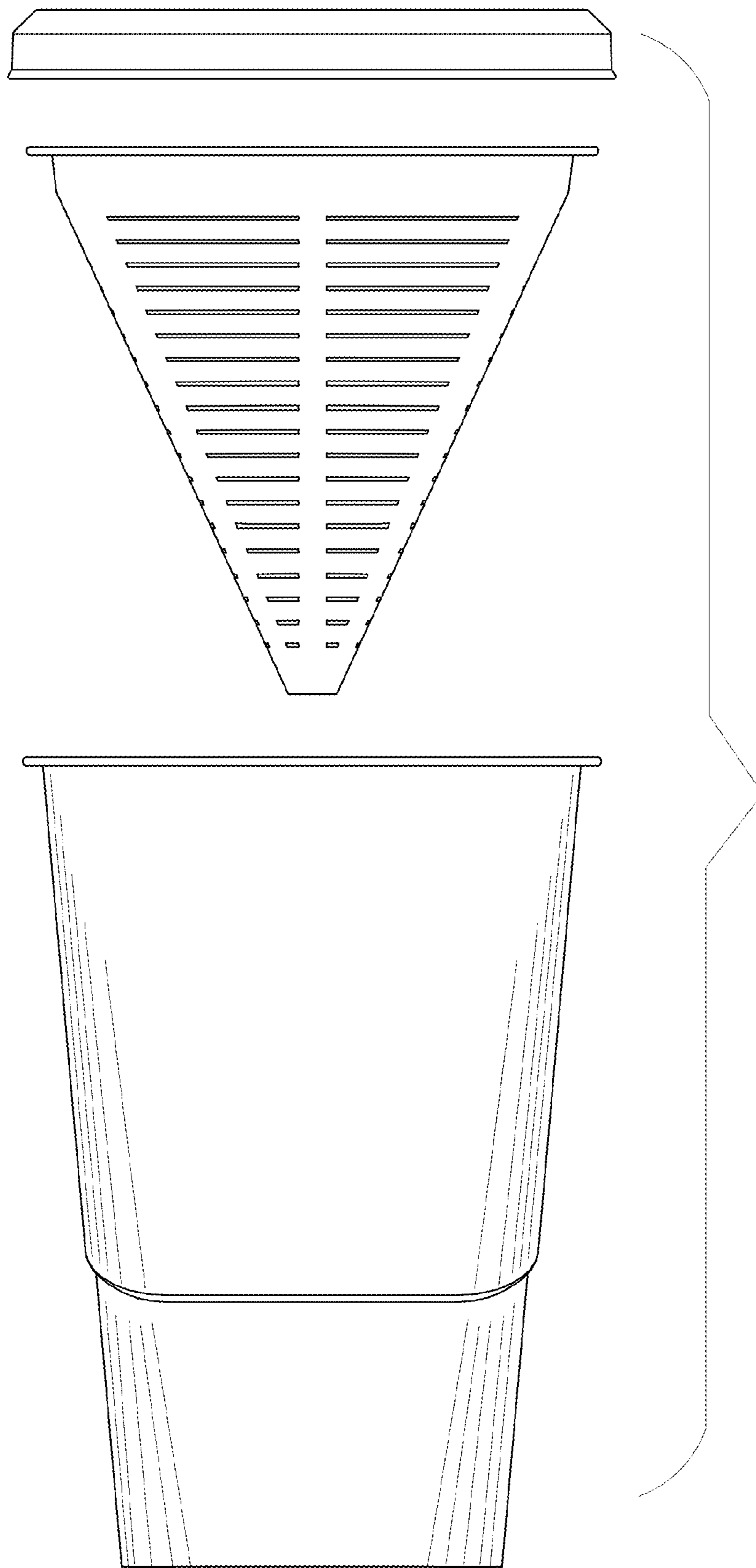


FIG.27

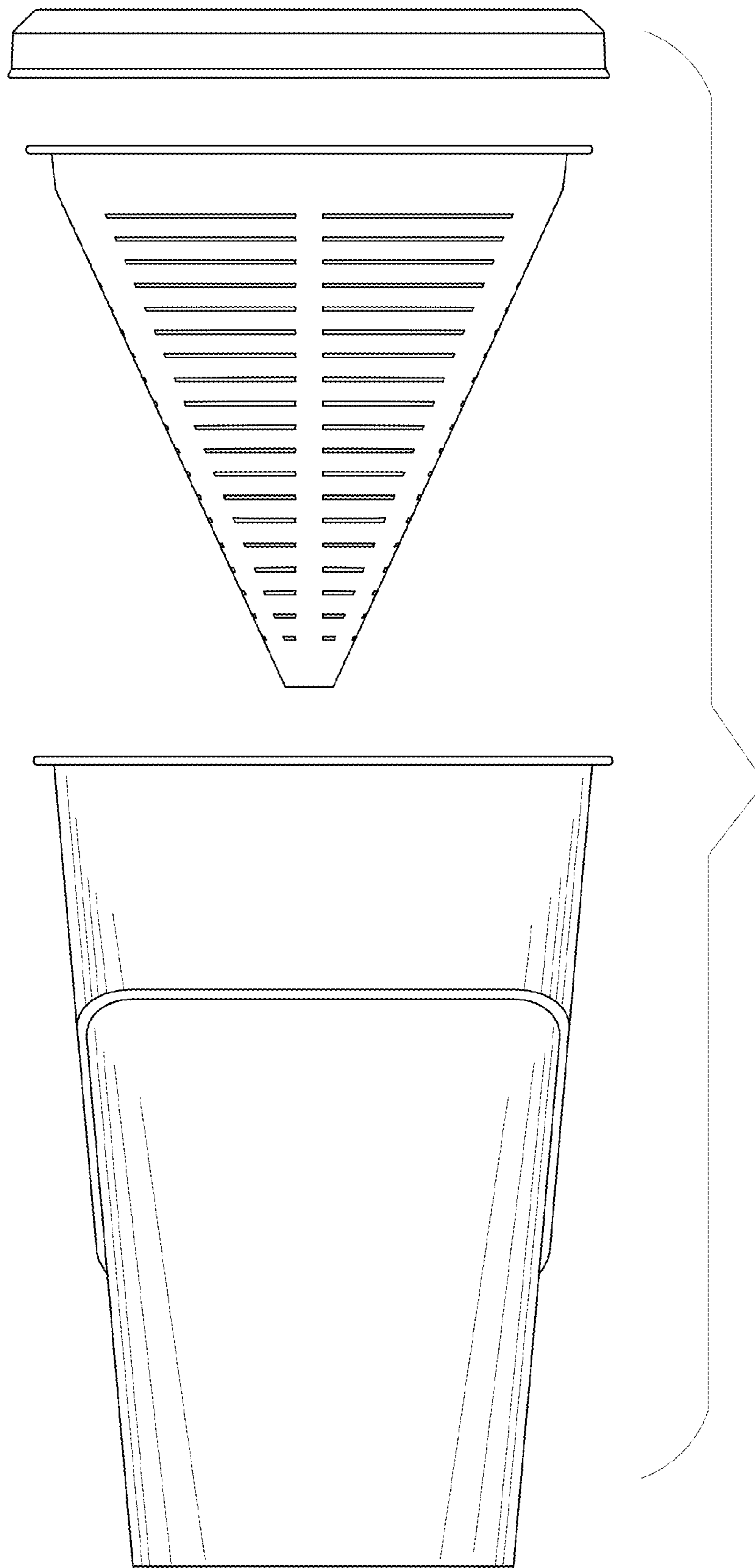


FIG.28

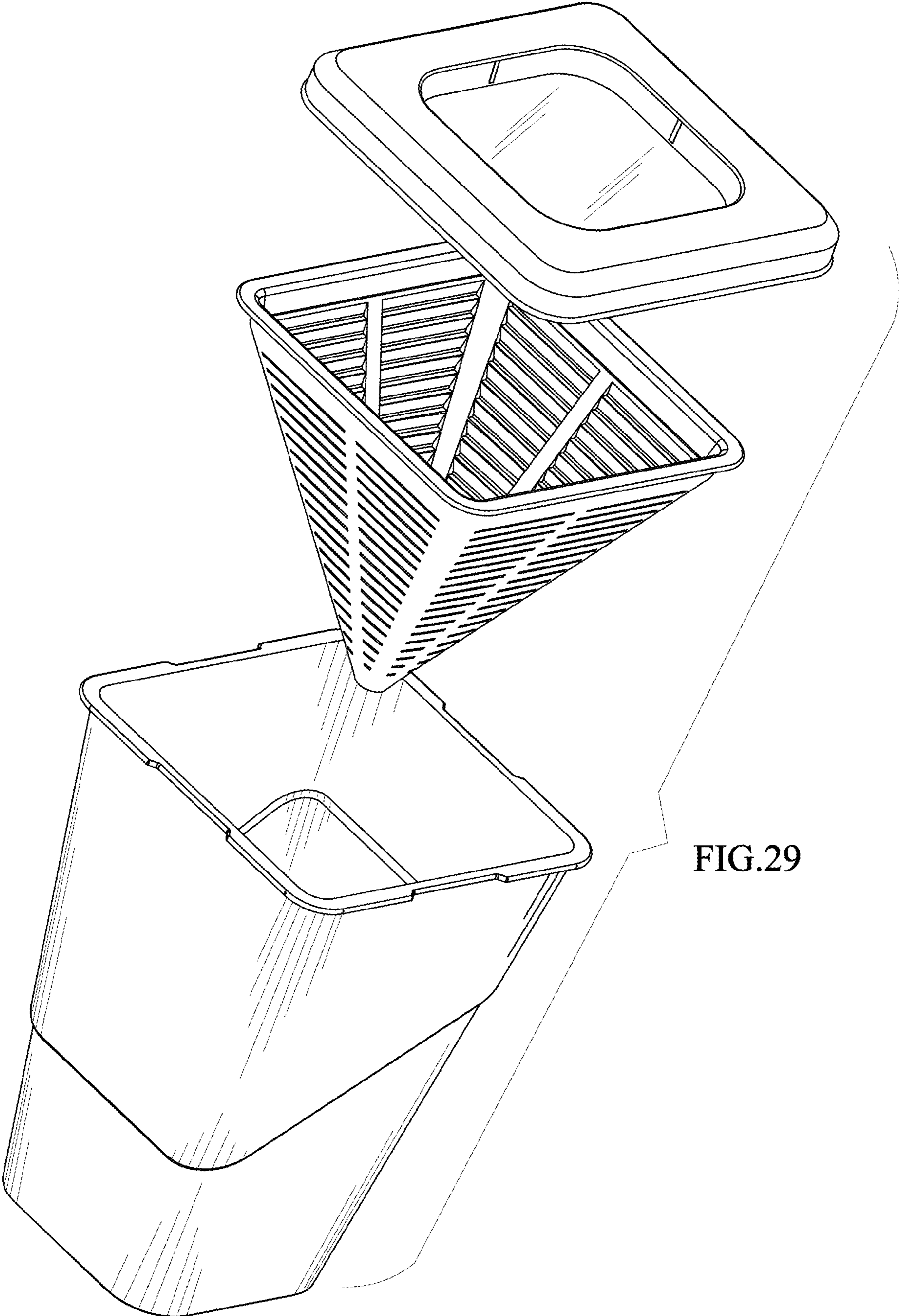


FIG.29

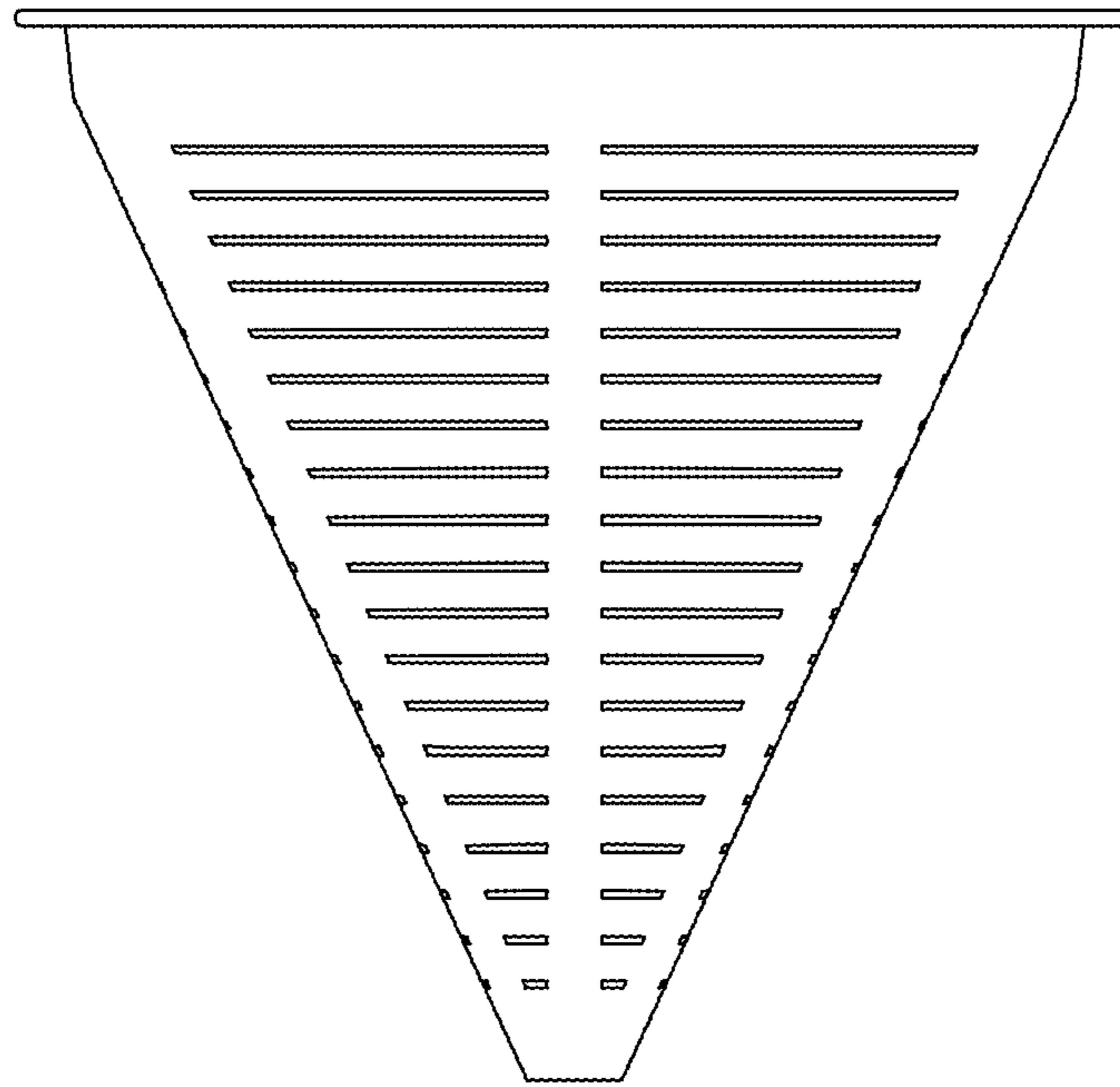


FIG.30



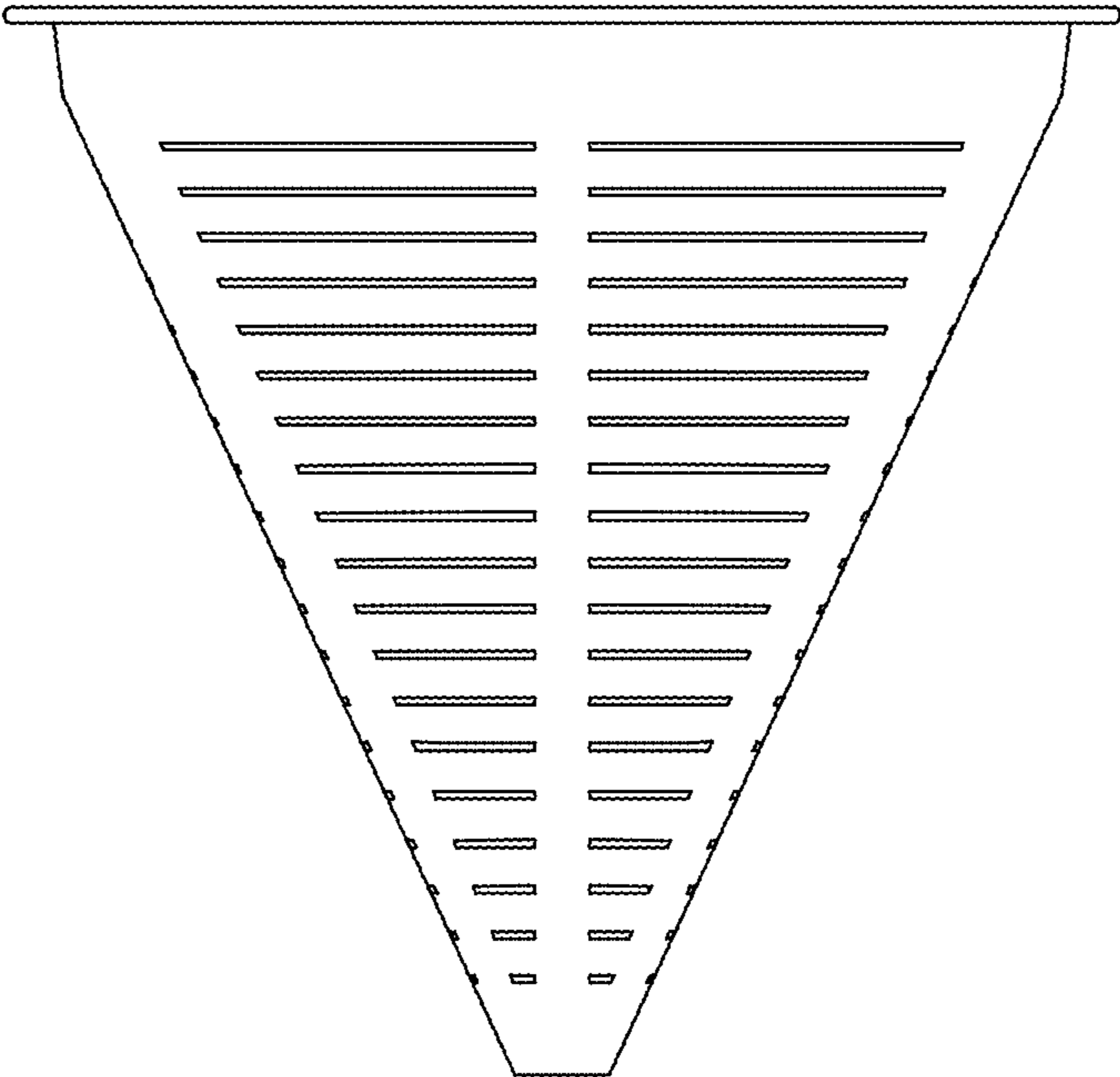


FIG.31

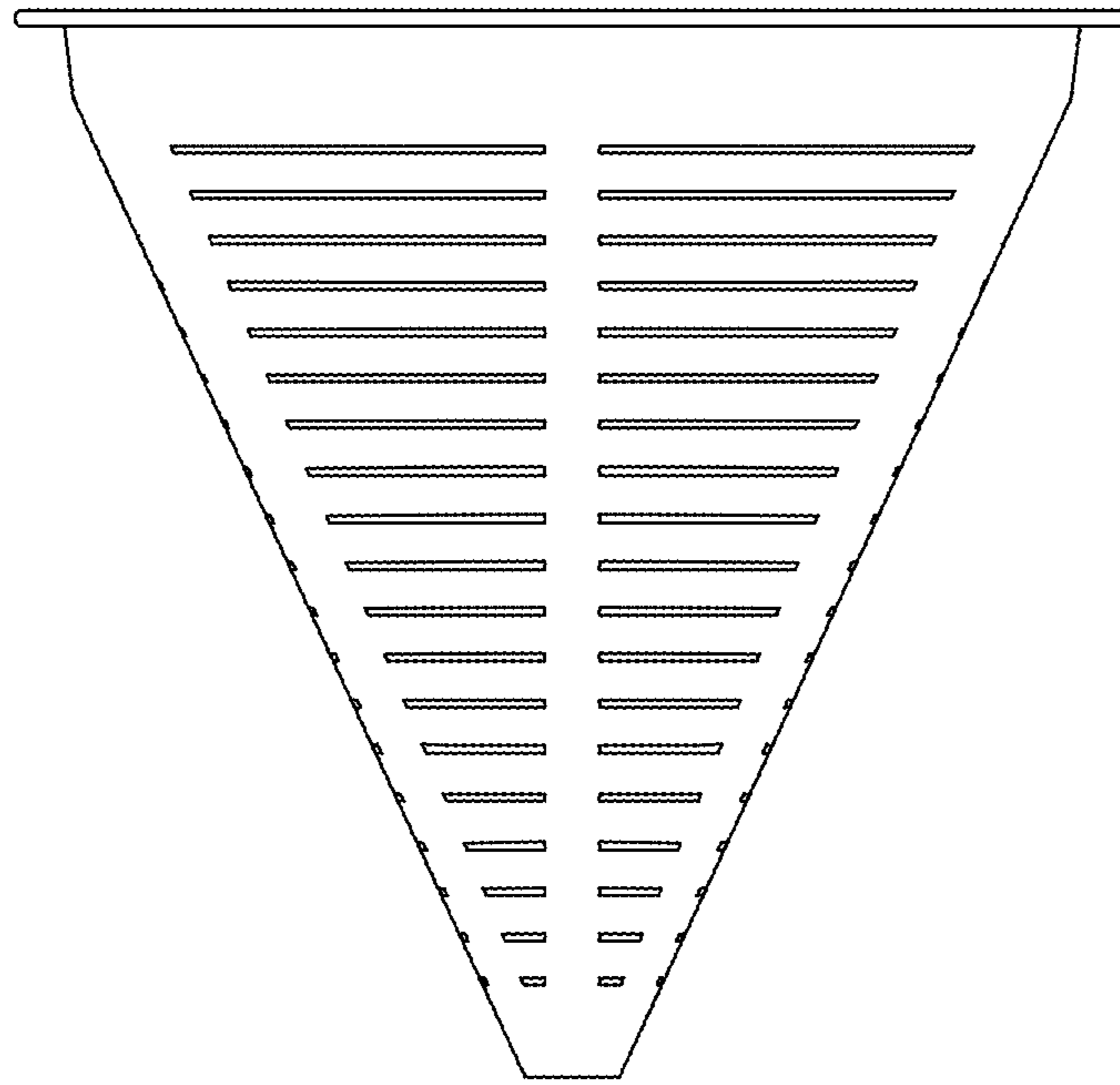


FIG.32

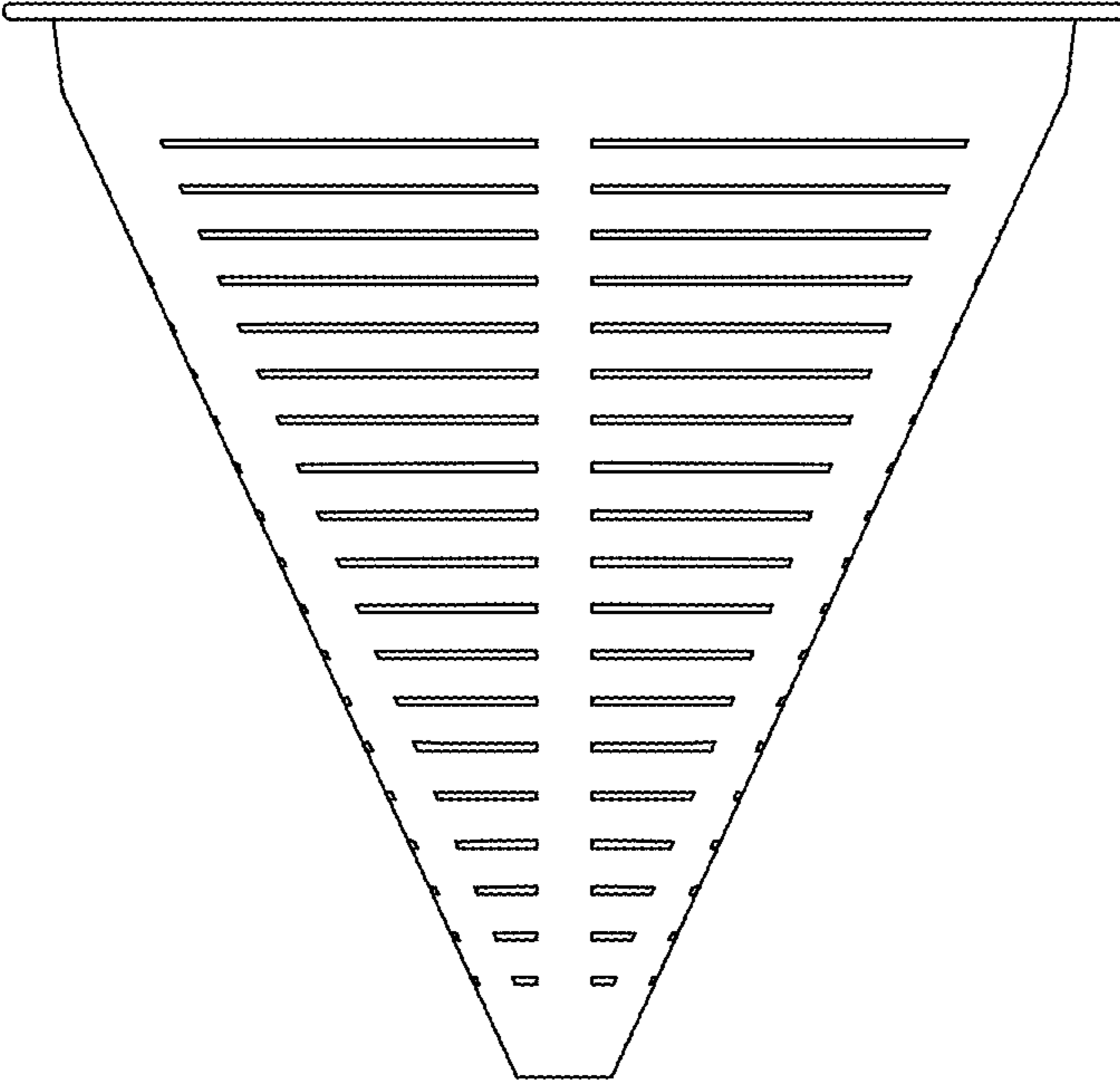


FIG.33

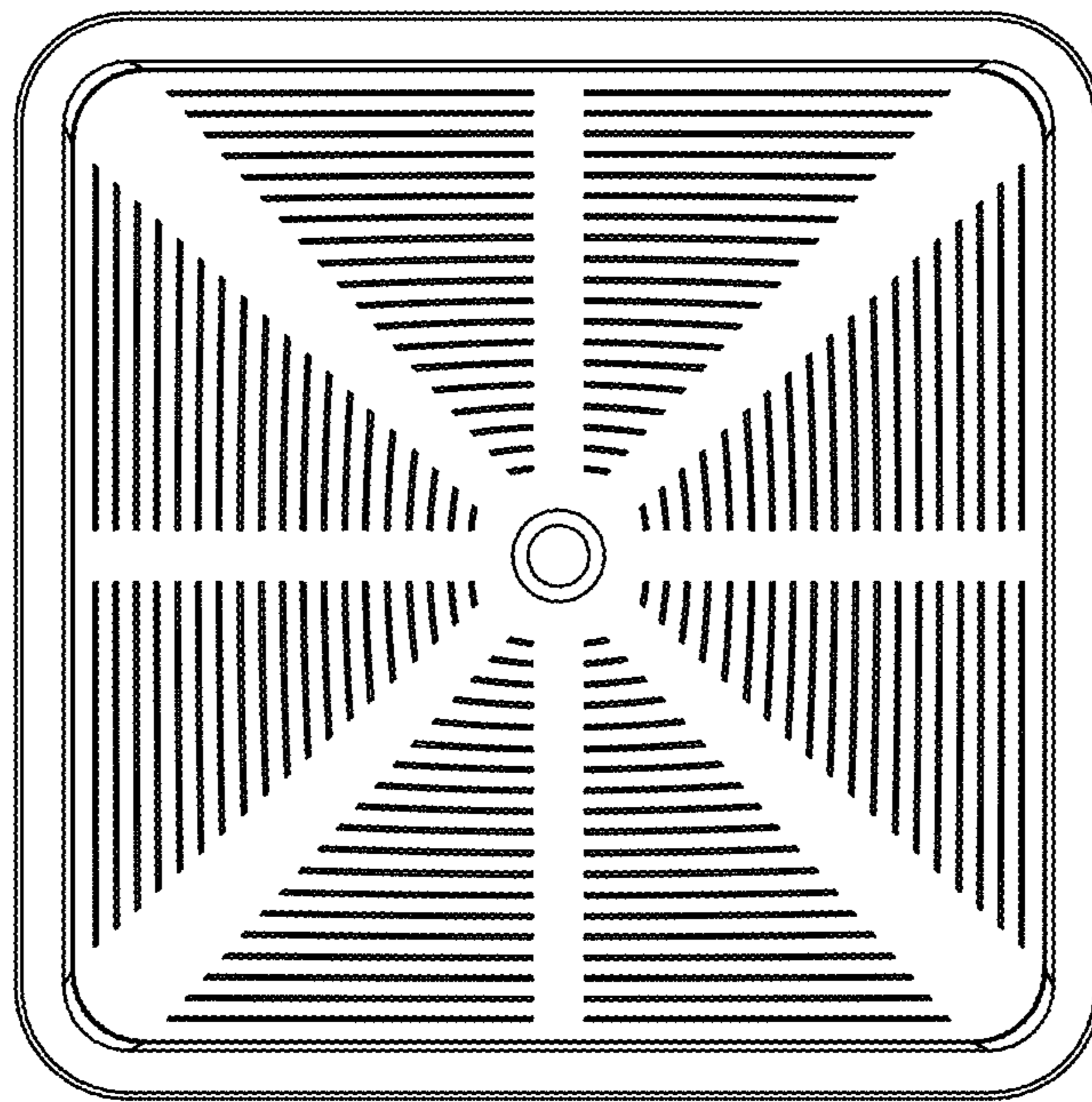


FIG.34

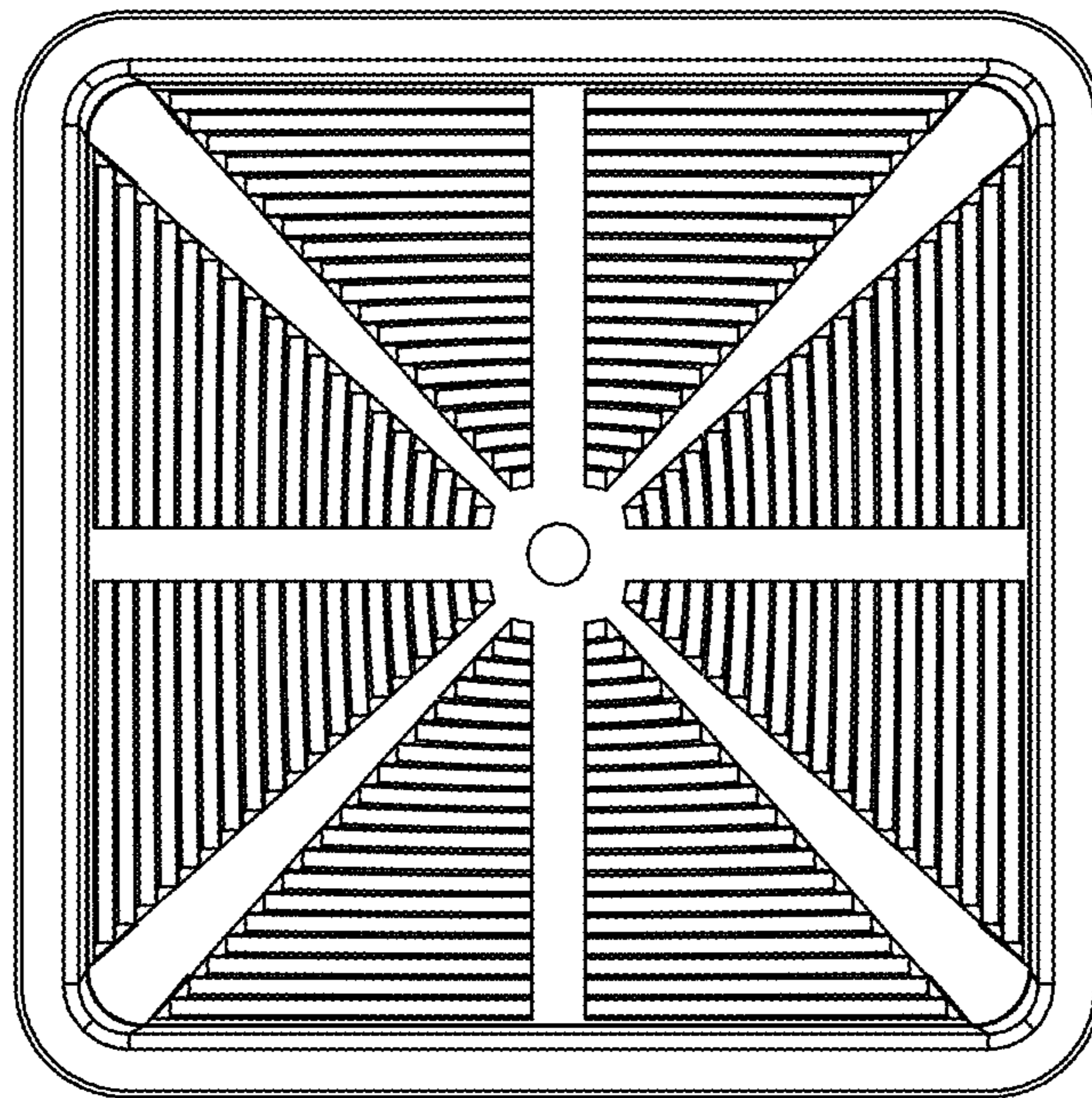


FIG.35

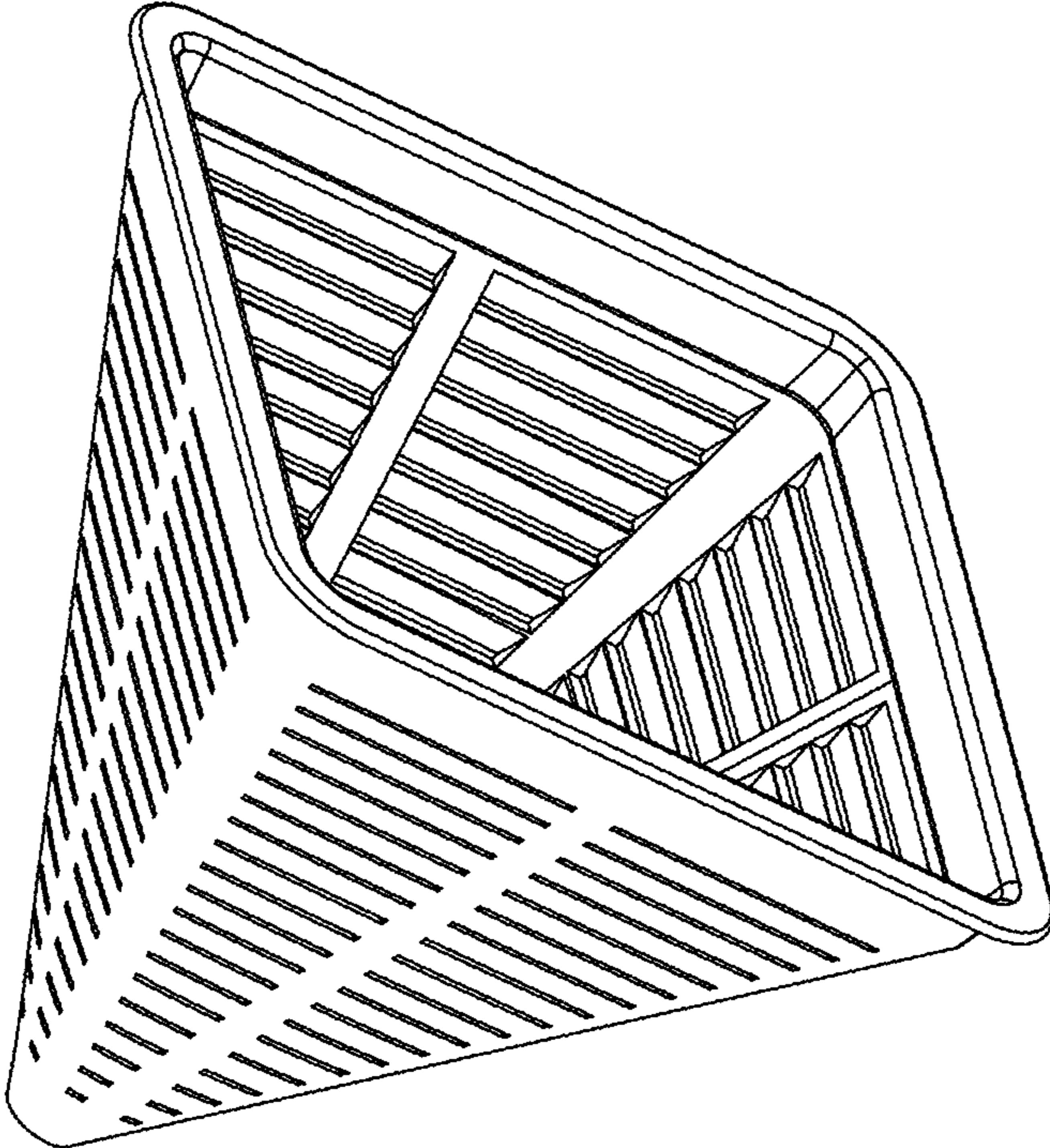


FIG.36