



US00D982119S

(12) **United States Design Patent** (10) **Patent No.:** **US D982,119 S**  
**Easley** (45) **Date of Patent:** **\*\* Mar. 28, 2023**

(54) **HANDLE FOR A FIXED BLADE KNIFE**

(71) Applicant: **Paul Morris Easley**, Blanchard, OK (US)

(72) Inventor: **Paul Morris Easley**, Blanchard, OK (US)

(\*\*) Term: **15 Years**

(21) Appl. No.: **29/810,788**

(22) Filed: **Oct. 8, 2021**

(51) **LOC (14) Cl.** ..... **22-02**

(52) **U.S. Cl.**  
USPC ..... **D22/118; D8/107**

(58) **Field of Classification Search**  
USPC ..... D8/98, 99, 100, 107, 300, 118; D7/650, D7/401.2; D24/133  
CPC .... B26B 1/02; B26B 1/04; B26B 1/10; B27B 21/00; B27B 21/02; B27B 21/04; B23D 51/01; B23D 51/03

See application file for complete search history.

(56) **References Cited**

**U.S. PATENT DOCUMENTS**

D165,811 S 1/1952 Wright  
D246,563 S 12/1977 Hube  
8,099,871 B2 1/2012 Bilenski  
10,279,490 B2 5/2019 Gilbert

**FOREIGN PATENT DOCUMENTS**

DE 507564 C 9/1930

**OTHER PUBLICATIONS**

Angled Knife, if World Design Guide, website, p. 1 <https://ifworlddesignguide.com/entry/118520-angled-knife>.  
Jarit 110-171 Knife Handle Long Angled 8in, proxibid, p. 1 <https://www.proxibid.com/Medical-Lab/Medical-Instruments/Jarit-110-171-Knife-Handle-Long-Angled-8in/1>.  
Poltzer Ear Knife, Ambler Surgical, website, p. 1, <https://amblersurgical.com/39-748-poltzer-ear-knife-6-1-2-angled-shaft-flat-handle>.  
Custom Hook Knives, Cariboo Blades, website, p. 4,5 <https://www.caribooblades.com/hook-knives-gallery>.

*Primary Examiner* — Philip S Hyder

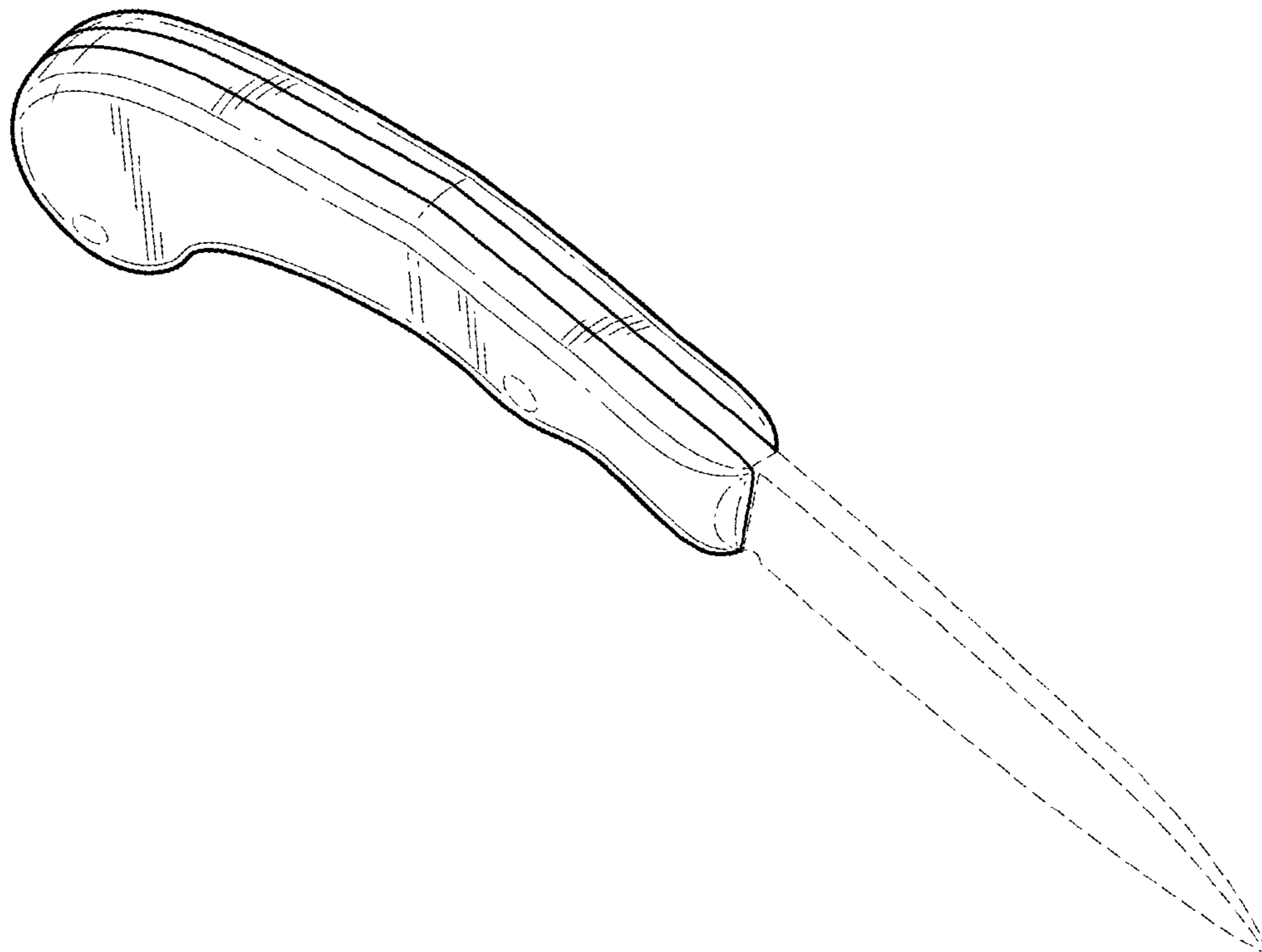
(57) **CLAIM**

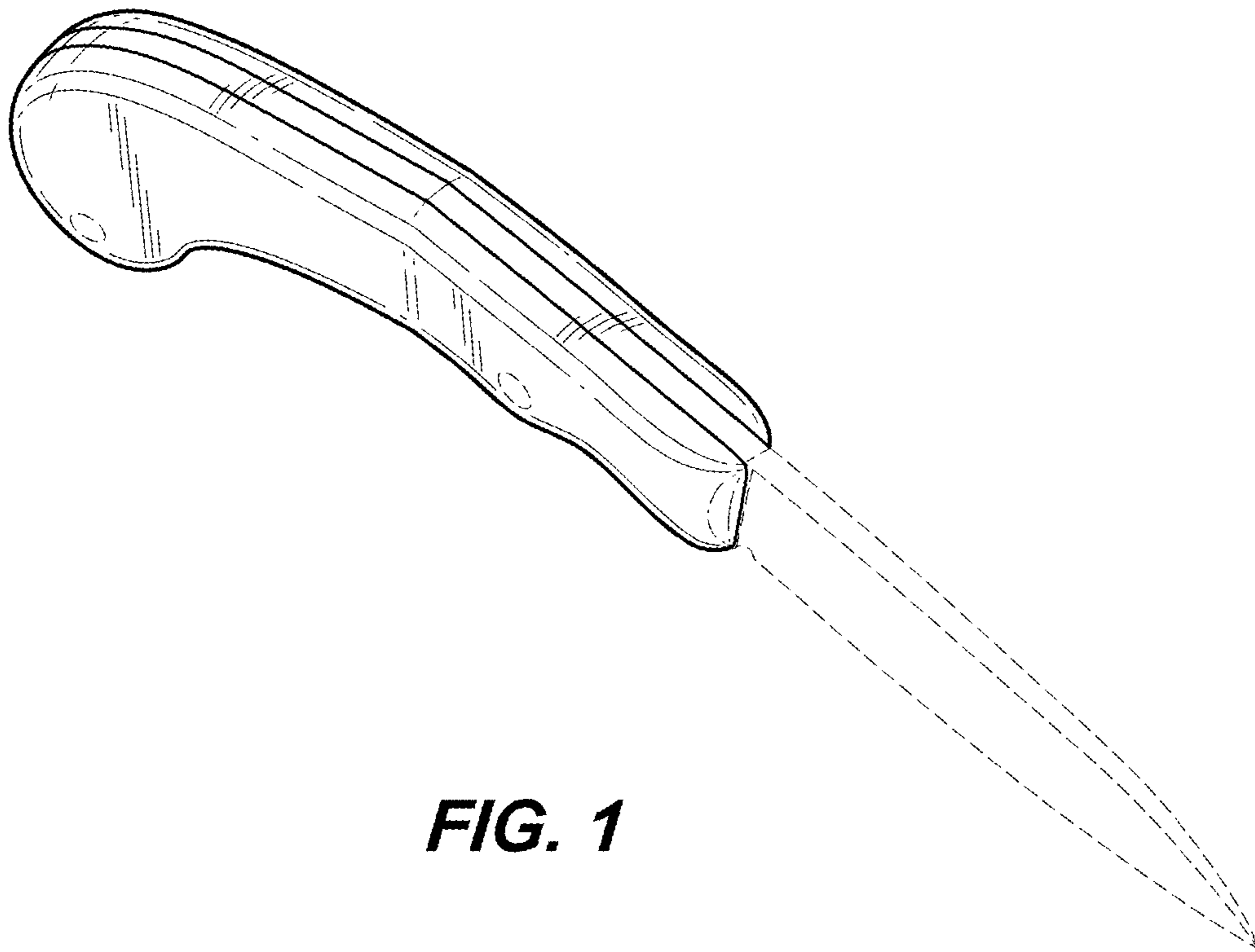
The ornamental design for a handle for a fixed blade knife, as shown and described.

**DESCRIPTION**

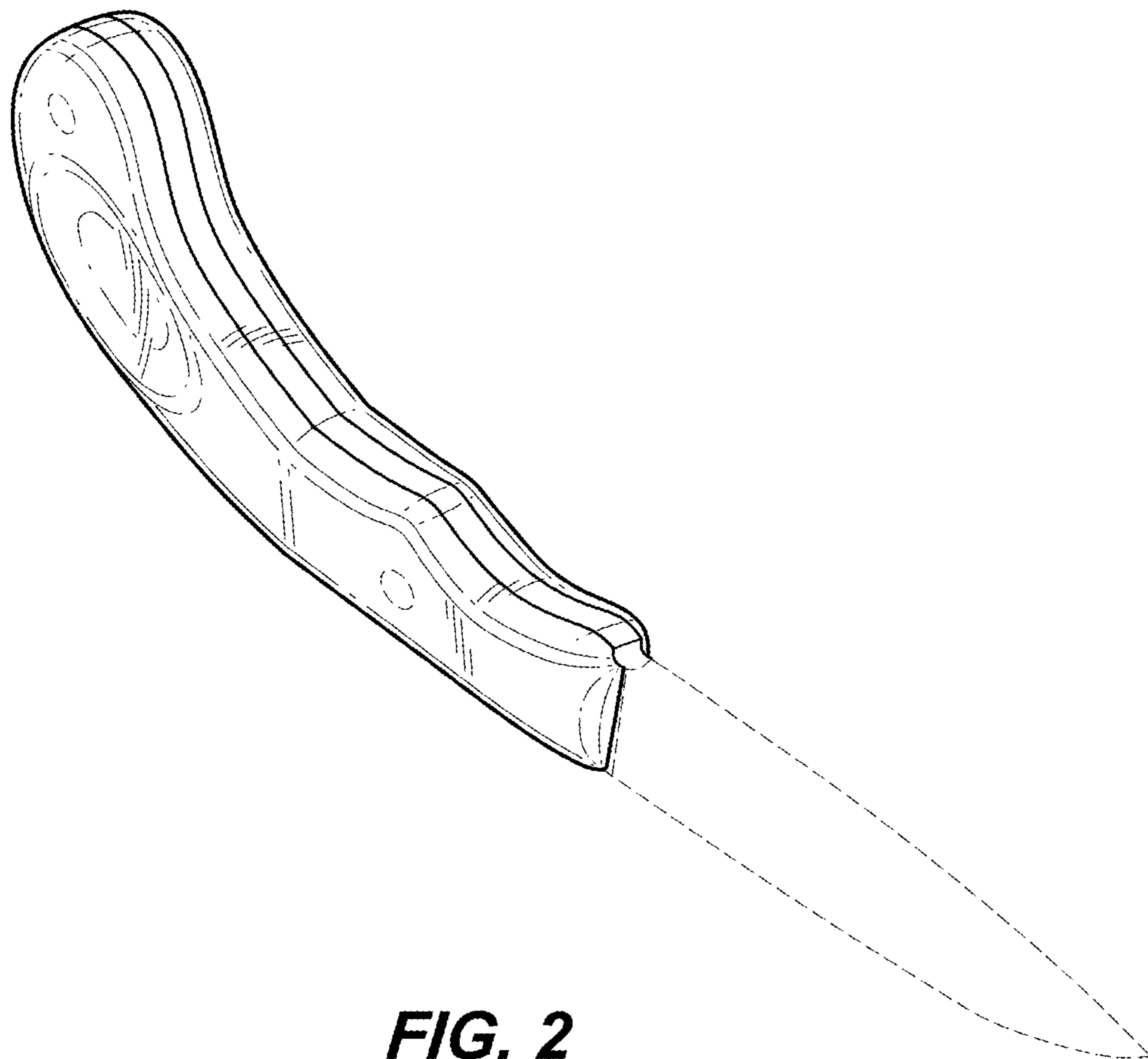
FIG. 1 is a top front and right side perspective view of a knife handle showing my new design;  
FIG. 2 is a bottom front and side perspective view thereof;  
FIG. 3 is a right side elevational view thereof;  
FIG. 4 is a left side elevational view thereof;  
FIG. 5 is a bottom plan view thereof;  
FIG. 6 is a top plan view thereof;  
FIG. 7 is a front elevational view thereof; and,  
FIG. 8 is a rear elevational view thereof.  
The broken lines of the knife blade is for environmental purposes only and form no part of the claimed design. The design shown is not to be limited to any particular size and may be scaled larger or smaller.

**1 Claim, 4 Drawing Sheets**

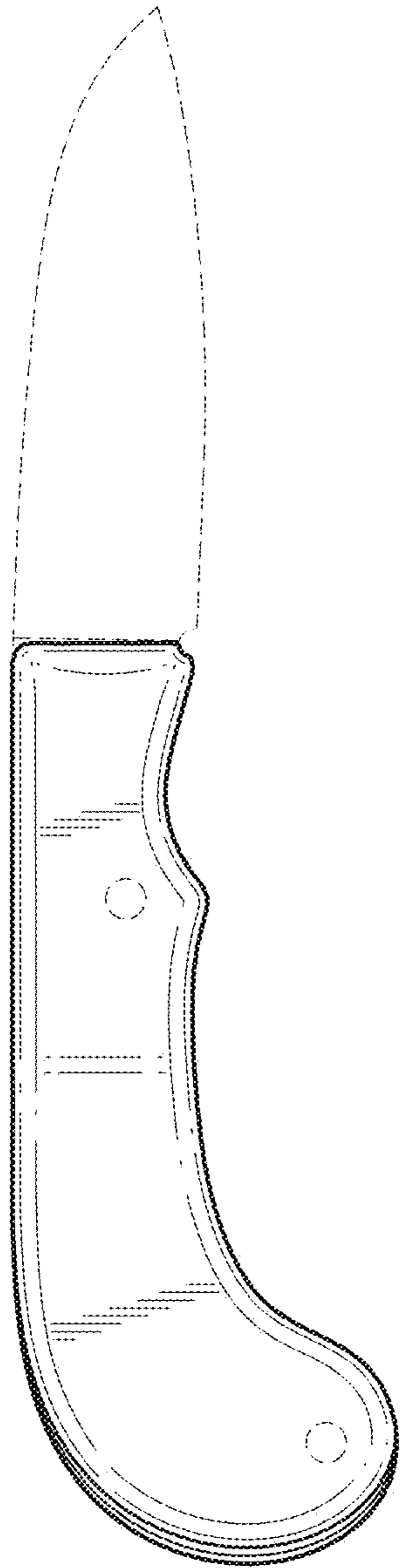




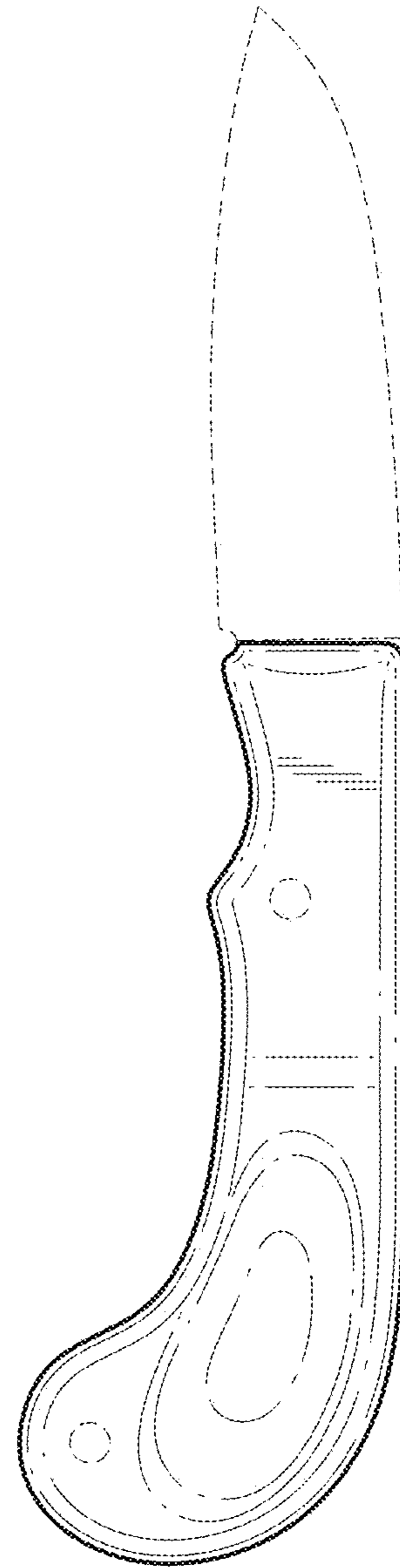
**FIG. 1**



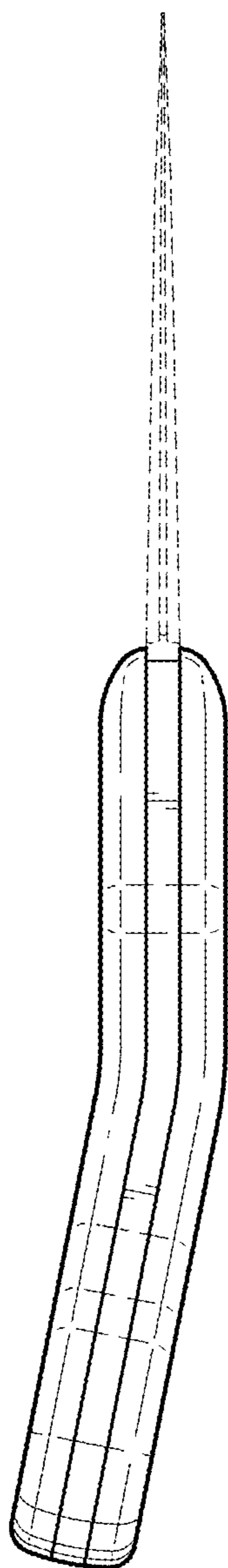
**FIG. 2**



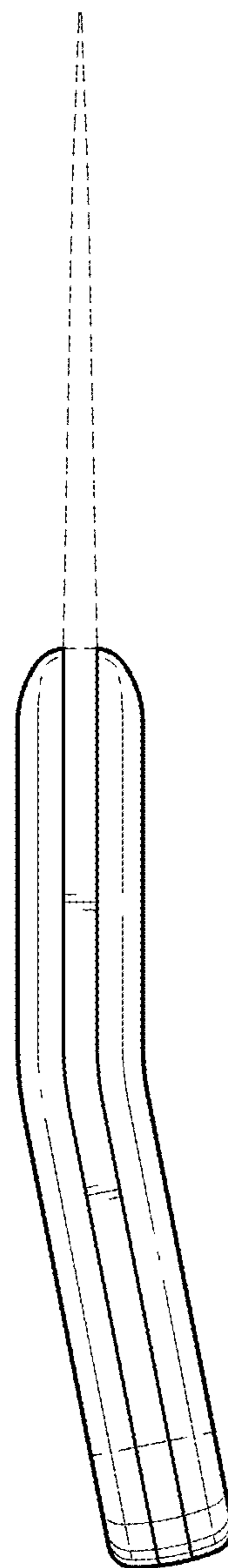
**FIG. 3**



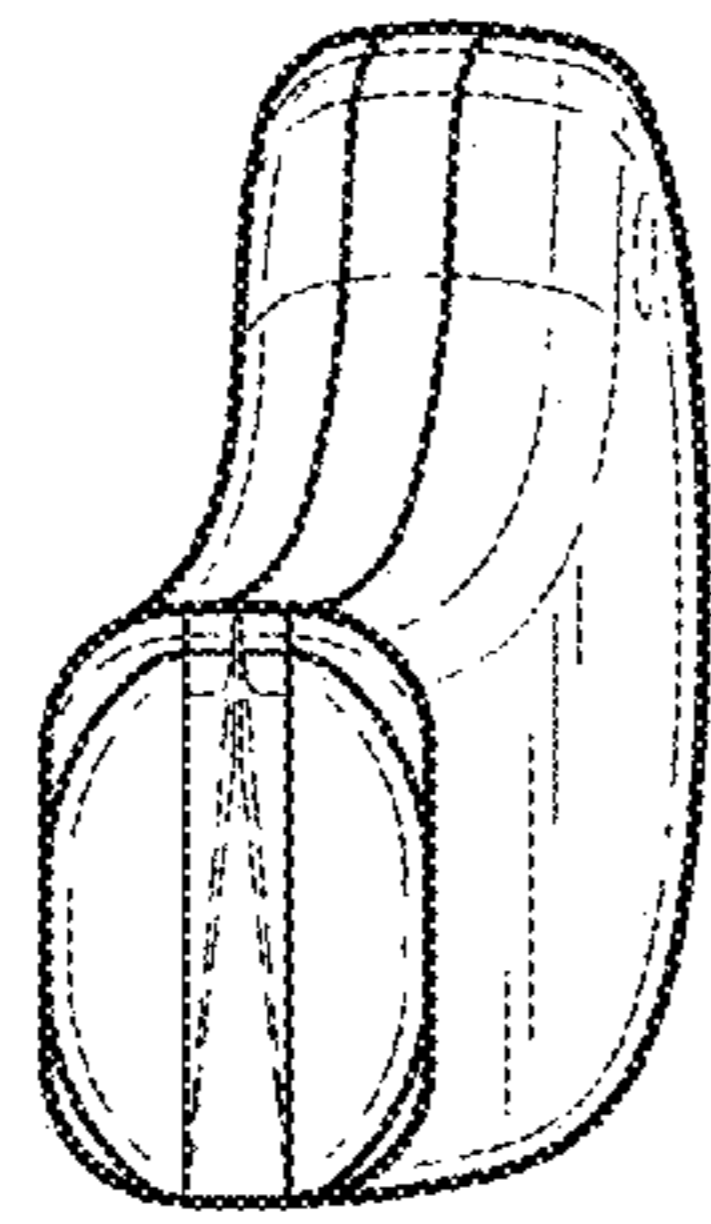
**FIG. 4**



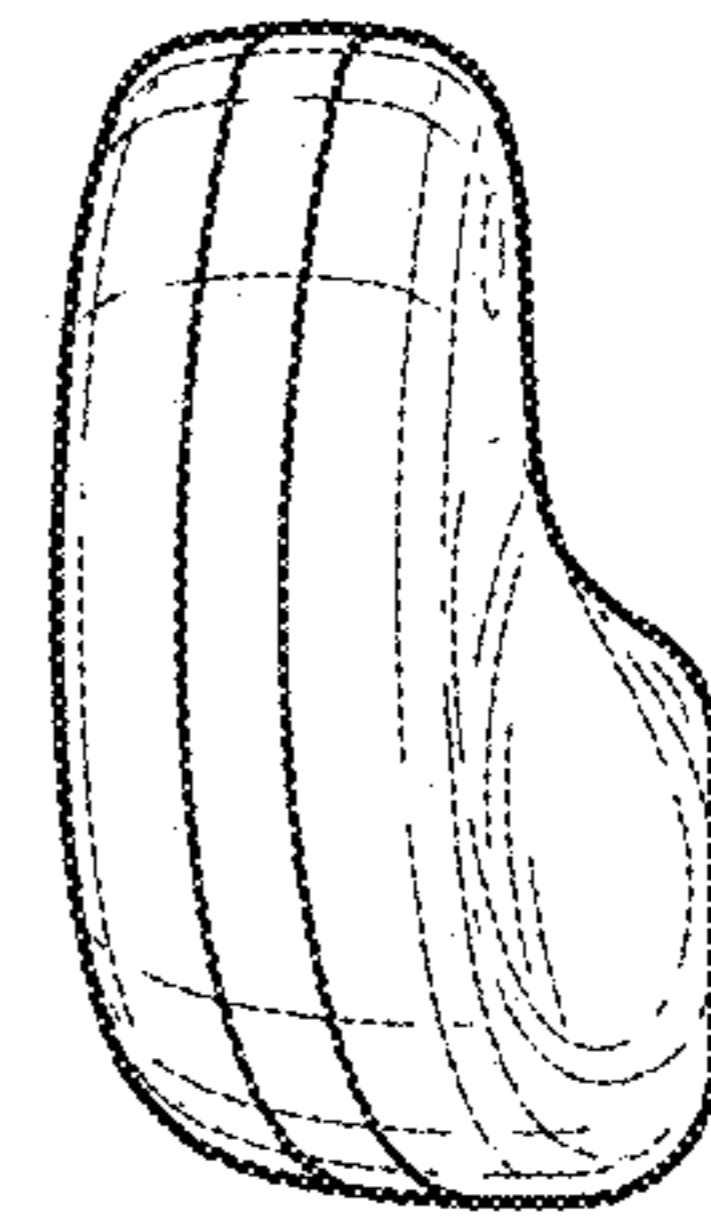
**FIG. 5**



**FIG. 6**



**FIG. 7**



**FIG. 8**