



US00D982118S

(12) **United States Design Patent**
Wang

(10) **Patent No.:** **US D982,118 S**
(45) **Date of Patent:** **** Mar. 28, 2023**

(54) **LEATHER PADDLE**

OTHER PUBLICATIONS

(71) Applicant: **Shanxi Huanchi Technology Co., Ltd.**,
Shanxi (CN)

(72) Inventor: **Yihan Wang**, Inner Mongolia (CN)

(**) Term: **15 Years**

(21) Appl. No.: **29/834,116**

(22) Filed: **Apr. 10, 2022**

(51) **LOC (14) Cl.** **22-02**

(52) **U.S. Cl.**

USPC **D22/117**

(58) **Field of Classification Search**

USPC D22/117; D24/133, 146, 215; D21/385,
D21/400, 722, 725, 729, 731-732;
D30/138, 156, 199; D12/215

CPC A45D 26/0004; A45D 45/00; A63B 69/38;
F41B 15/02

See application file for complete search history.

https://www.amazon.com/dp/B09MCK437W/ref=sspa_dk_detail_9?psc=1&pd_rd_i=B09MCK437W&pd_rd_w=DYH8v&content-id=amzn1.sym.bff6e147-54ad-4be3-b4ea-ec19ea6167f7&pf_rd_p=bf6e147-54ad-4be3-b4ea-ec19ea6167f7&pf_rd_r=56JWT4TGS8A8G4TQE4GA&pd_rd_wg=QjDPj&pd_rd_r=16703abe-d560-4f3d-afdc-dae8a7b4c2f8&s=sporting-goods&sp_csd=d2 (Year: 2021).*

<https://www.walmart.com/ip/Massage-Paddle-Silicone-Body-Massage-Pat-Flexible-Muscle-Relaxer-for-Relieving-Fatigue-38-7-5-5cm/1031261137?wmlspartner=wlpa&selectedSellerId=101133546> (Year: 2022).*

* cited by examiner

Primary Examiner — Catherine R Oliver-Garcia

(74) *Attorney, Agent, or Firm* — Che-Yang Chen; Law Office of Michael Chen

(57) **CLAIM**

The ornamental design for a leather paddle, as shown and described.

DESCRIPTION

FIG. 1 is a perspective view of the leather paddle showing my new design;

FIG. 2 is a perspective view thereof from another angle;

FIG. 3 is a front elevational view thereof;

FIG. 4 is a rear elevational view thereof;

FIG. 5 is a left side elevational view thereof;

FIG. 6 is a right side elevational view thereof;

FIG. 7 is a top plan view thereof; and,

FIG. 8 is a bottom plan view thereof.

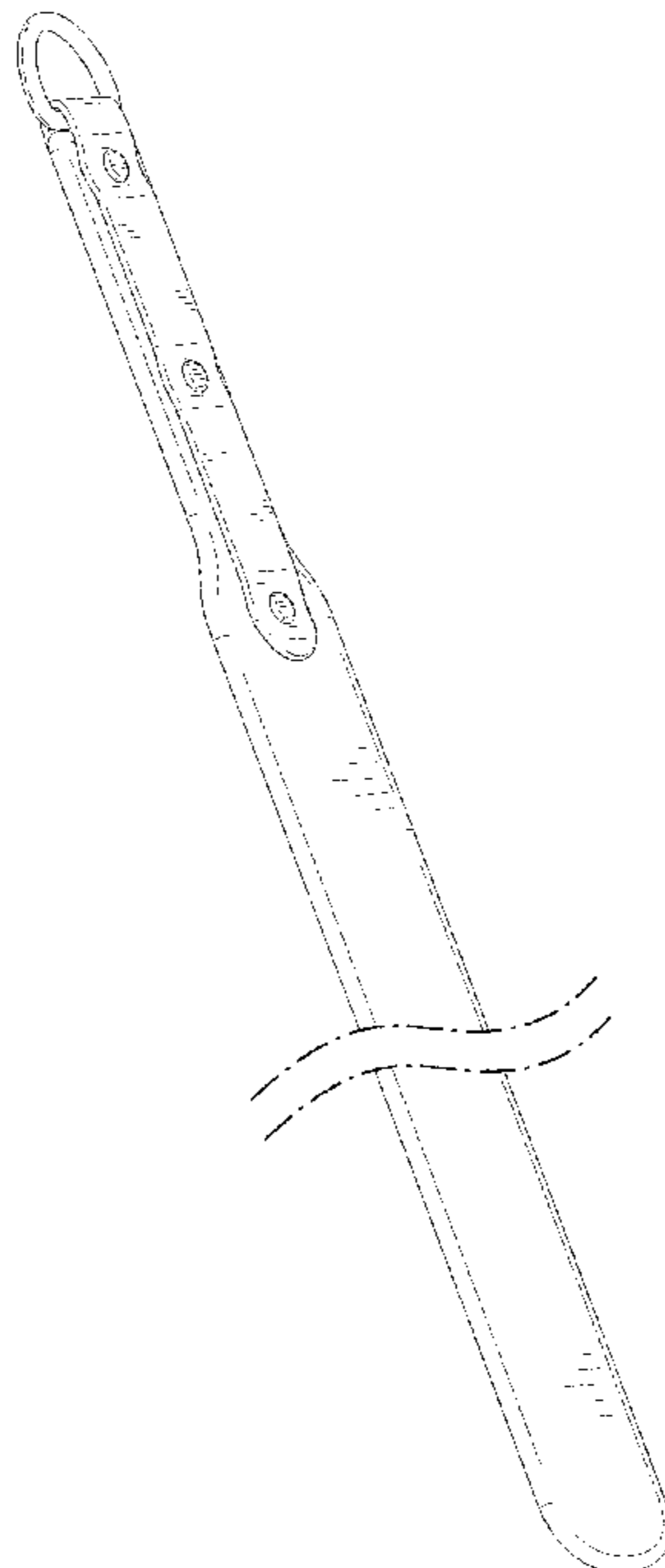
The broken lines shown in the drawings indicate indeterminate length.

1 Claim, 8 Drawing Sheets

(56) **References Cited**

U.S. PATENT DOCUMENTS

1,387,946	A *	8/1921	Rutherford, Jr.	A63B 67/12 473/592
4,949,966	A *	8/1990	Bopp	F41B 15/02 463/47.4
D315,392	S *	3/1991	Lew	D22/117
D468,066	S *	12/2002	Helms	D30/156
D551,041	S *	9/2007	Park	D8/19
8,777,782	B2 *	7/2014	Salomon	A63B 69/38 473/457
D831,440	S *	10/2018	Hu	D7/649
D917,049	S	4/2021	Schwartz	



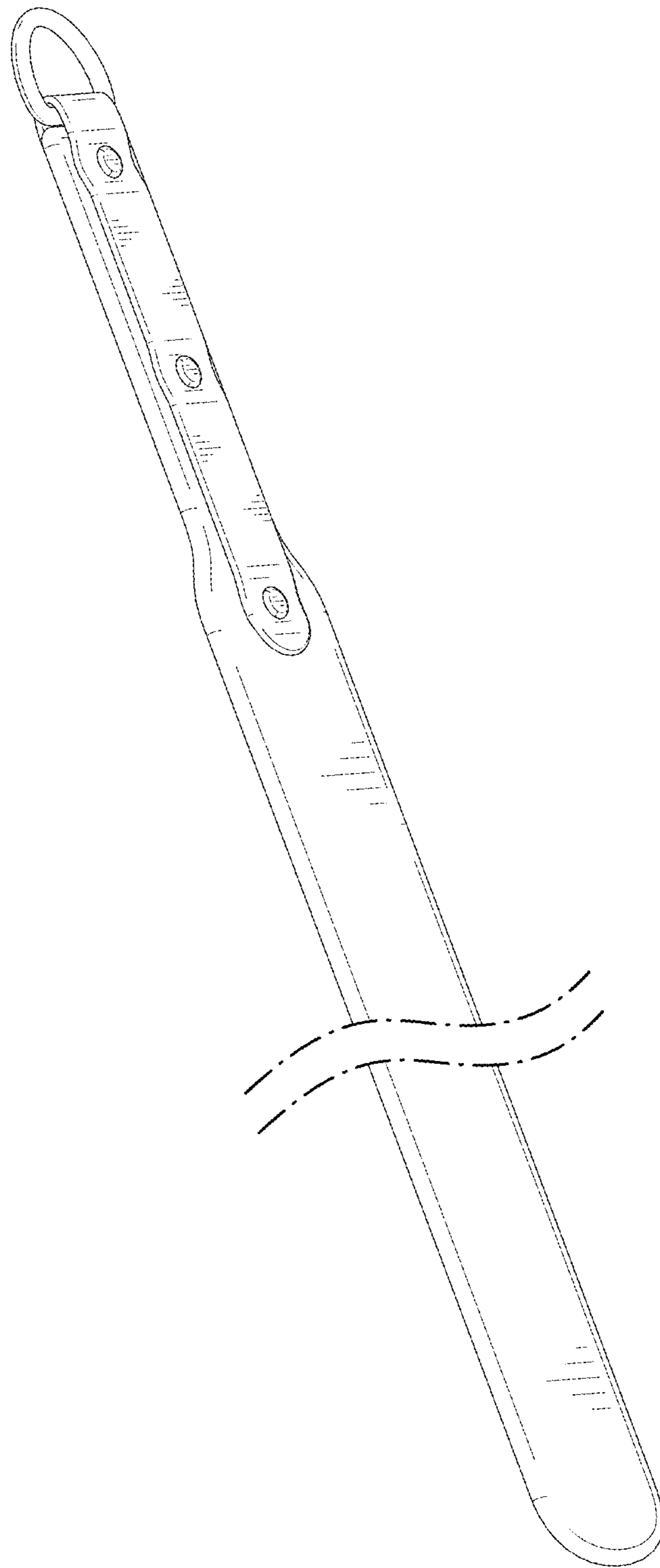


FIG. 1

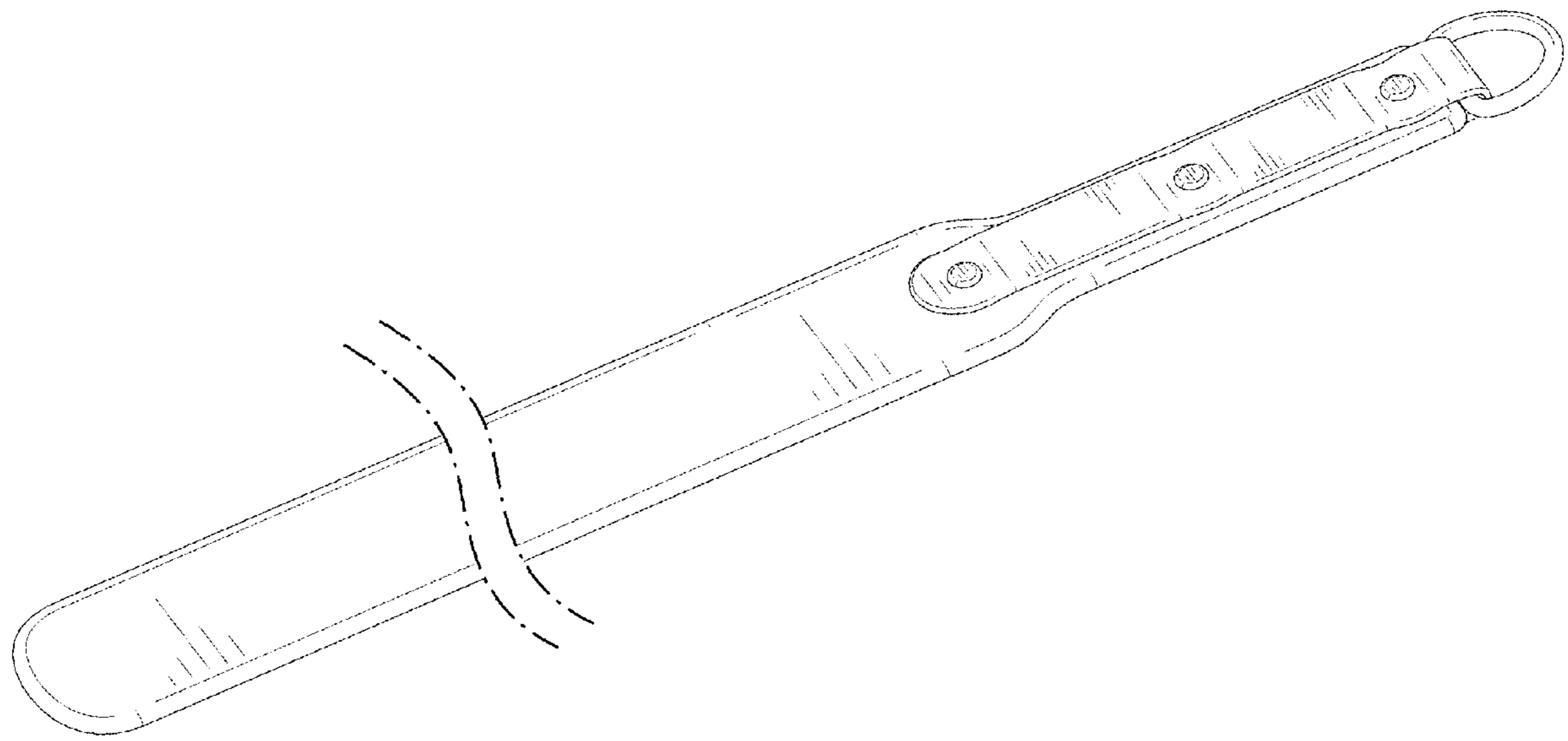


FIG. 2

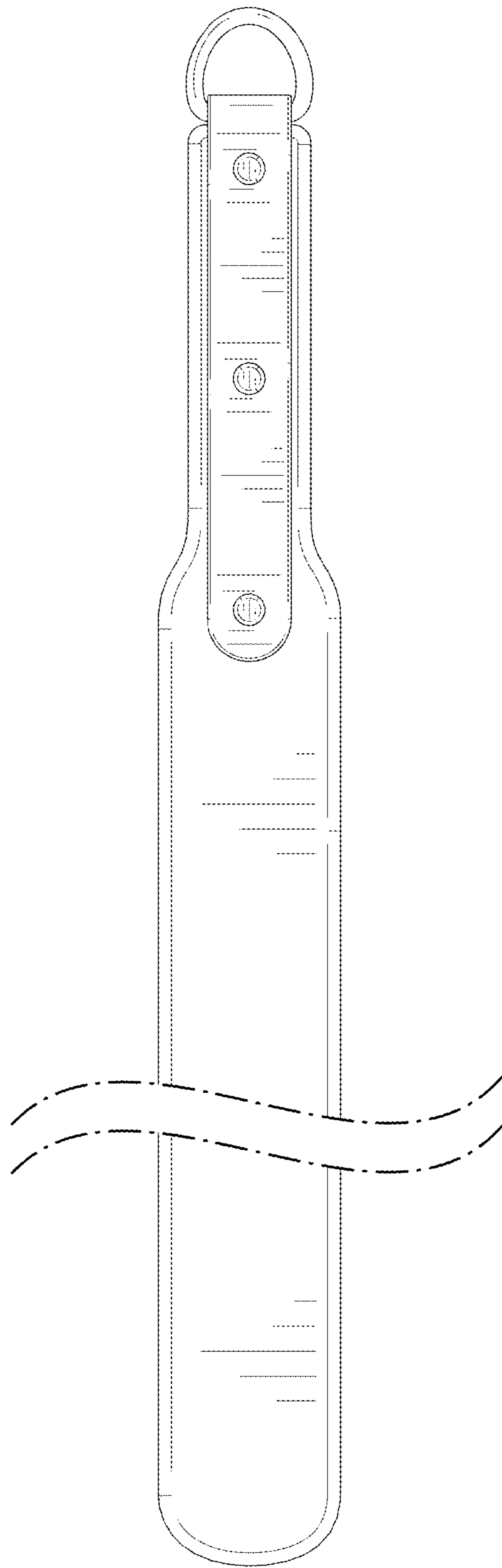


FIG. 3

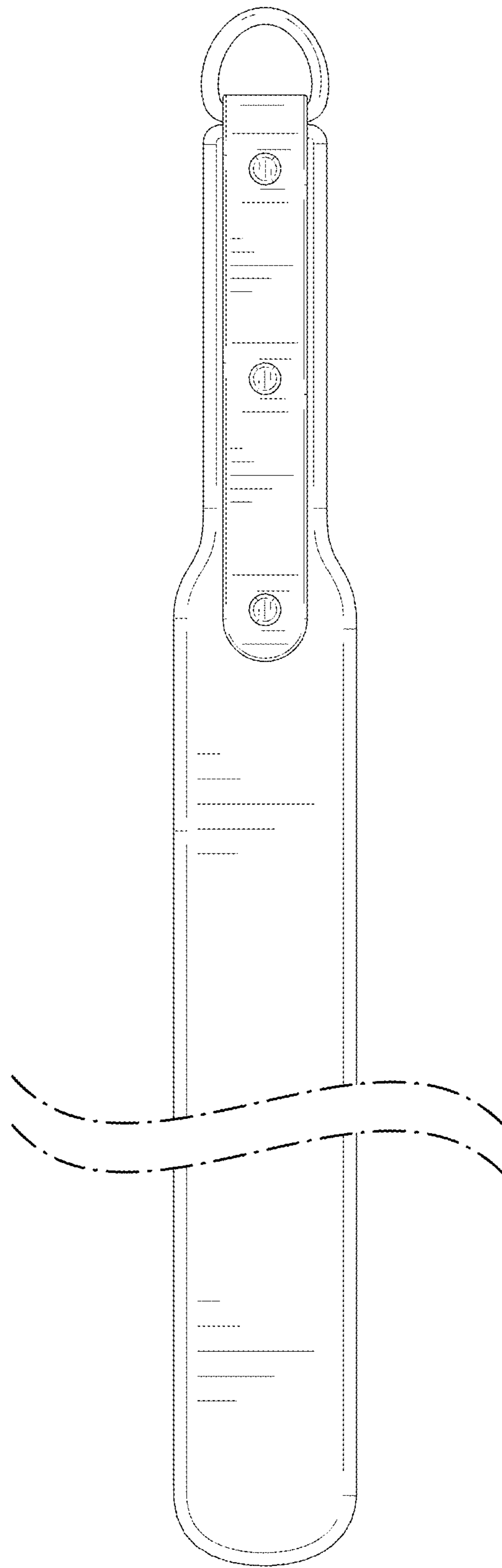


FIG. 4

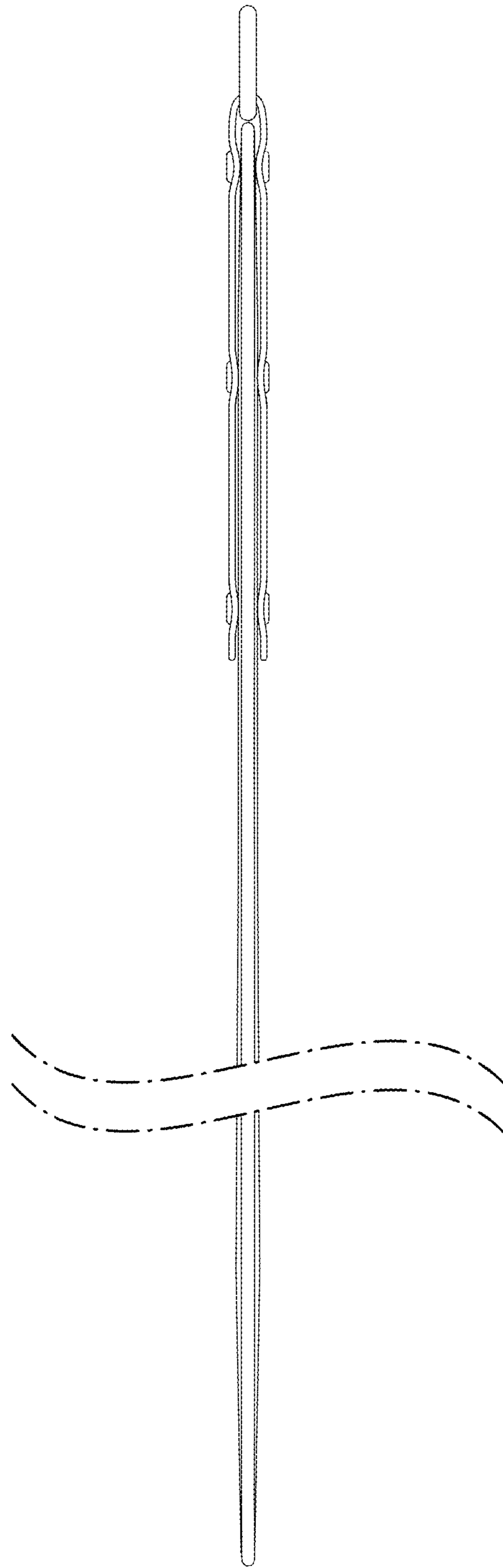


FIG. 5

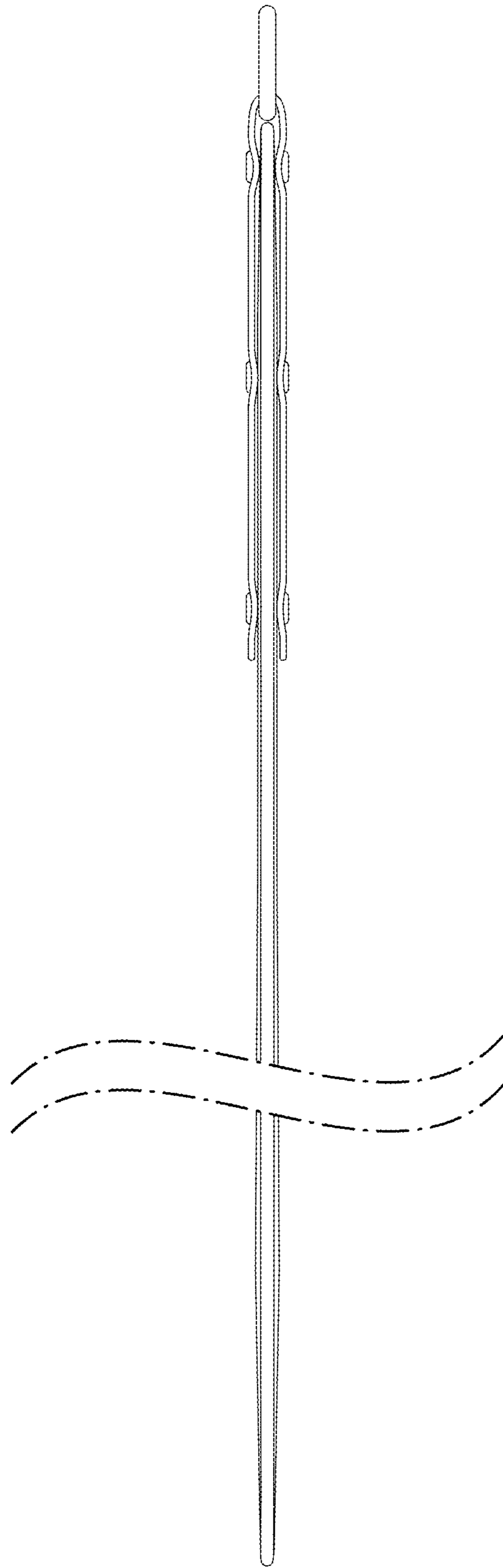


FIG. 6



FIG. 7

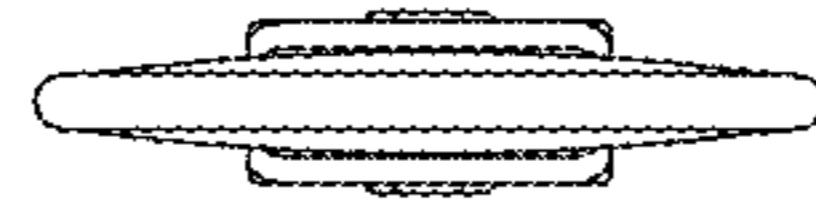


FIG. 8