



US00D982116S

(12) **United States Design Patent**
Taylor

(10) **Patent No.:** **US D982,116 S**
(45) **Date of Patent:** **** Mar. 28, 2023**

- (54) **AK RIFLE REAR TRUNNION**
- (71) Applicant: **Karl Taylor**, Miami, FL (US)
- (72) Inventor: **Karl Taylor**, Miami, FL (US)
- (**) Term: **15 Years**
- (21) Appl. No.: **29/766,724**
- (22) Filed: **Jan. 18, 2021**

Related U.S. Application Data

- (63) Continuation-in-part of application No. 29/706,877, filed on Sep. 24, 2019, now Pat. No. Des. 911,482.
- (51) **LOC (14) Cl.** **22-01**
- (52) **U.S. Cl.**
USPC **D22/108**
- (58) **Field of Classification Search**
USPC D22/108; D21/572-575
CPC F41C 23/20; F41G 11/003; F41G 11/004;
F41A 5/18
See application file for complete search history.

(56) **References Cited**

U.S. PATENT DOCUMENTS

- D661,365 S * 6/2012 Cupelli D22/108
- D911,482 S * 2/2021 Taylor D22/108

- 2017/0227319 A1* 8/2017 Underwood F41C 23/04
- 2018/0120055 A1* 5/2018 Silverman F41C 23/14
- 2020/0232731 A1* 7/2020 Sharkov F41G 1/30

* cited by examiner

Primary Examiner — Michael A. Pratt

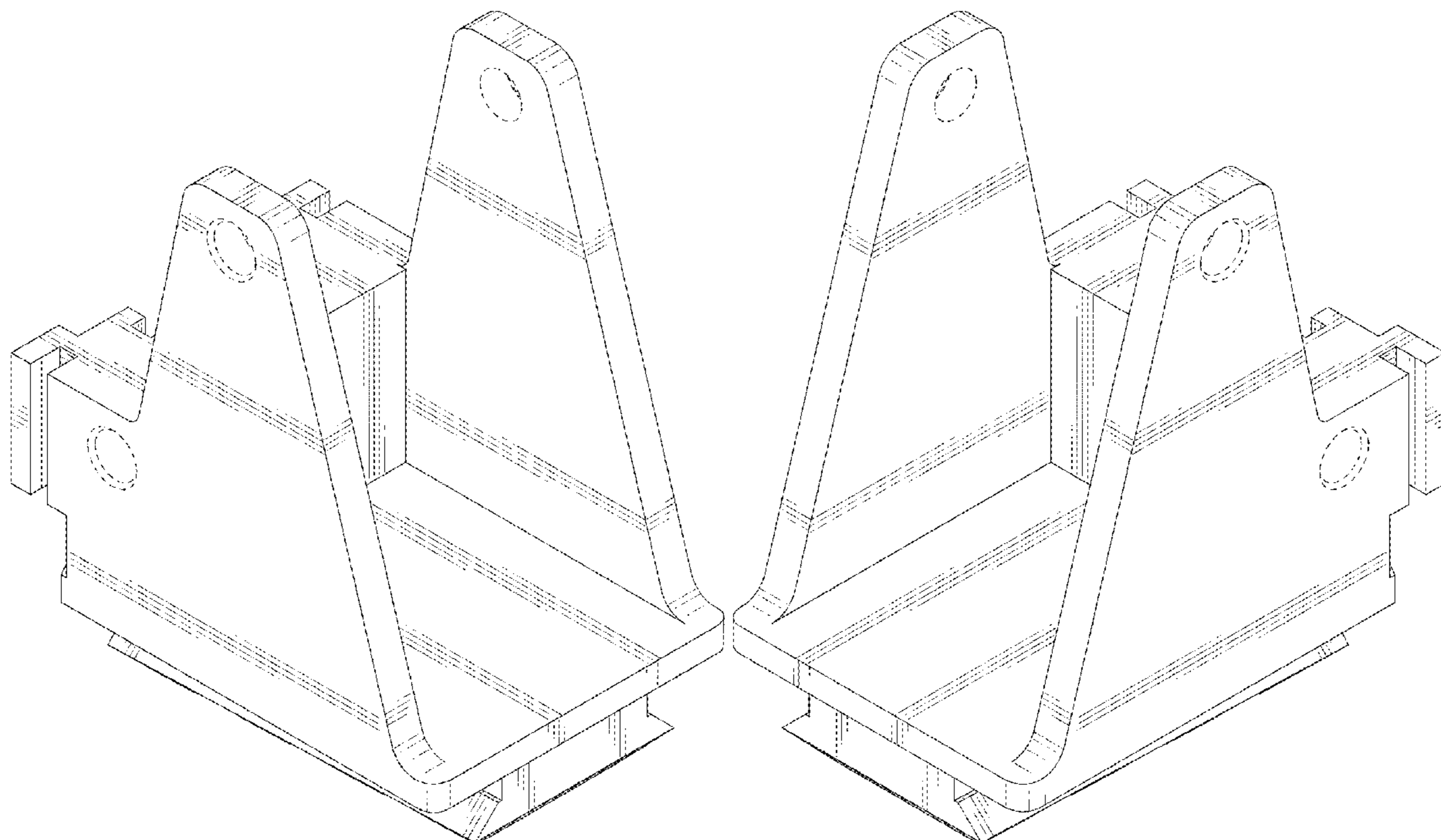
(57) **CLAIM**

The ornamental design for an AK rifle rear trunnion, as shown and described.

DESCRIPTION

FIG. 1 is a front top left perspective view of an AK rifle rear trunnion;
 FIG. 2 is a front top right perspective view thereof;
 FIG. 3 is a rear bottom left perspective view thereof;
 FIG. 4 is a rear bottom right perspective view thereof;
 FIG. 5 is a front elevational view thereof;
 FIG. 6 is a rear elevational view thereof;
 FIG. 7 is a top plan view thereof;
 FIG. 8 is a bottom plan view thereof;
 FIG. 9 is a left elevational view thereof; and,
 FIG. 10 is a right elevational view thereof.
 The broken line showing a plurality of holes in FIGS. 1-4, 9, and 10 are included for the purpose of illustrating environmental structure and forms no part of the claimed design.

1 Claim, 10 Drawing Sheets



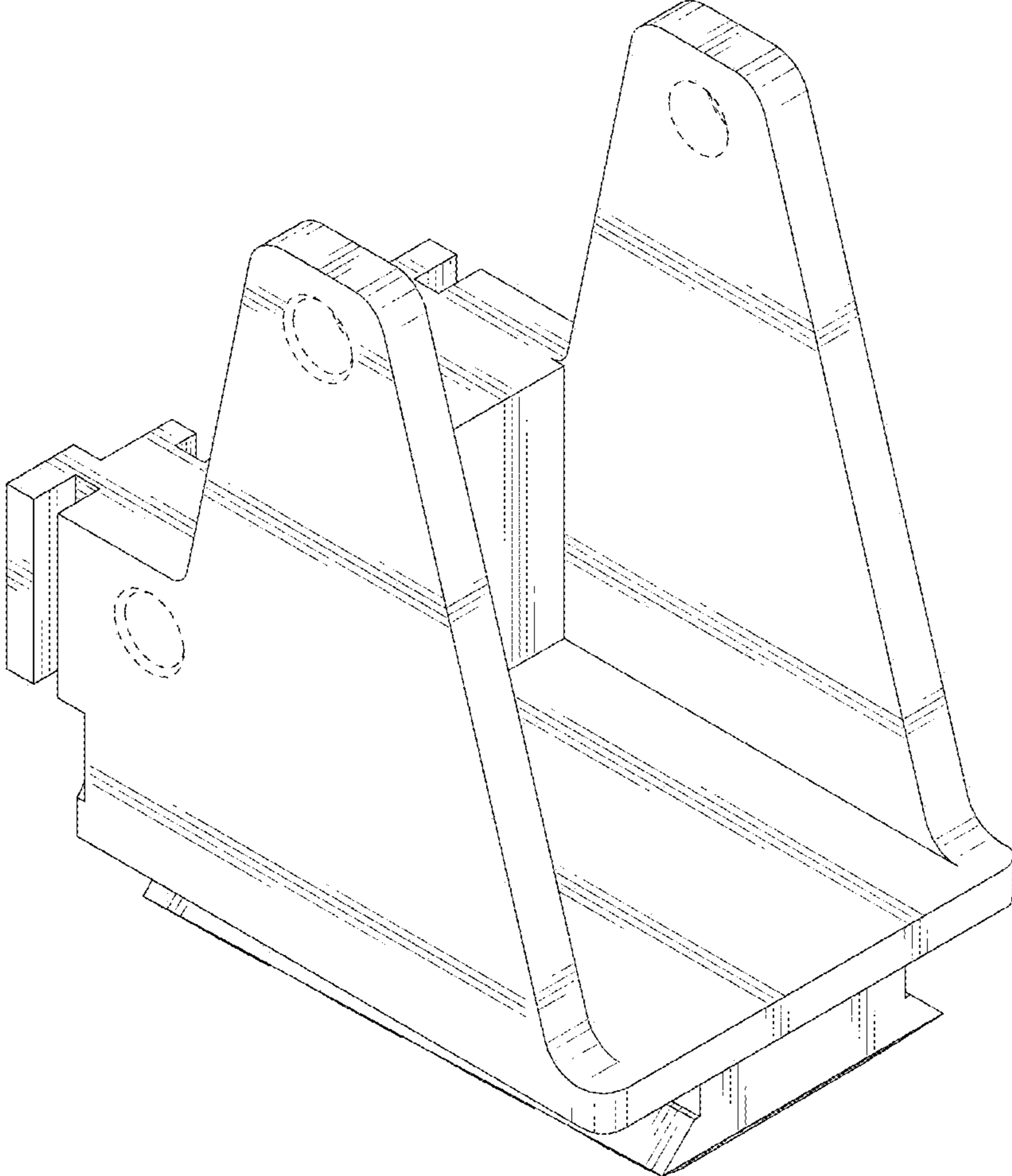


FIG. 1

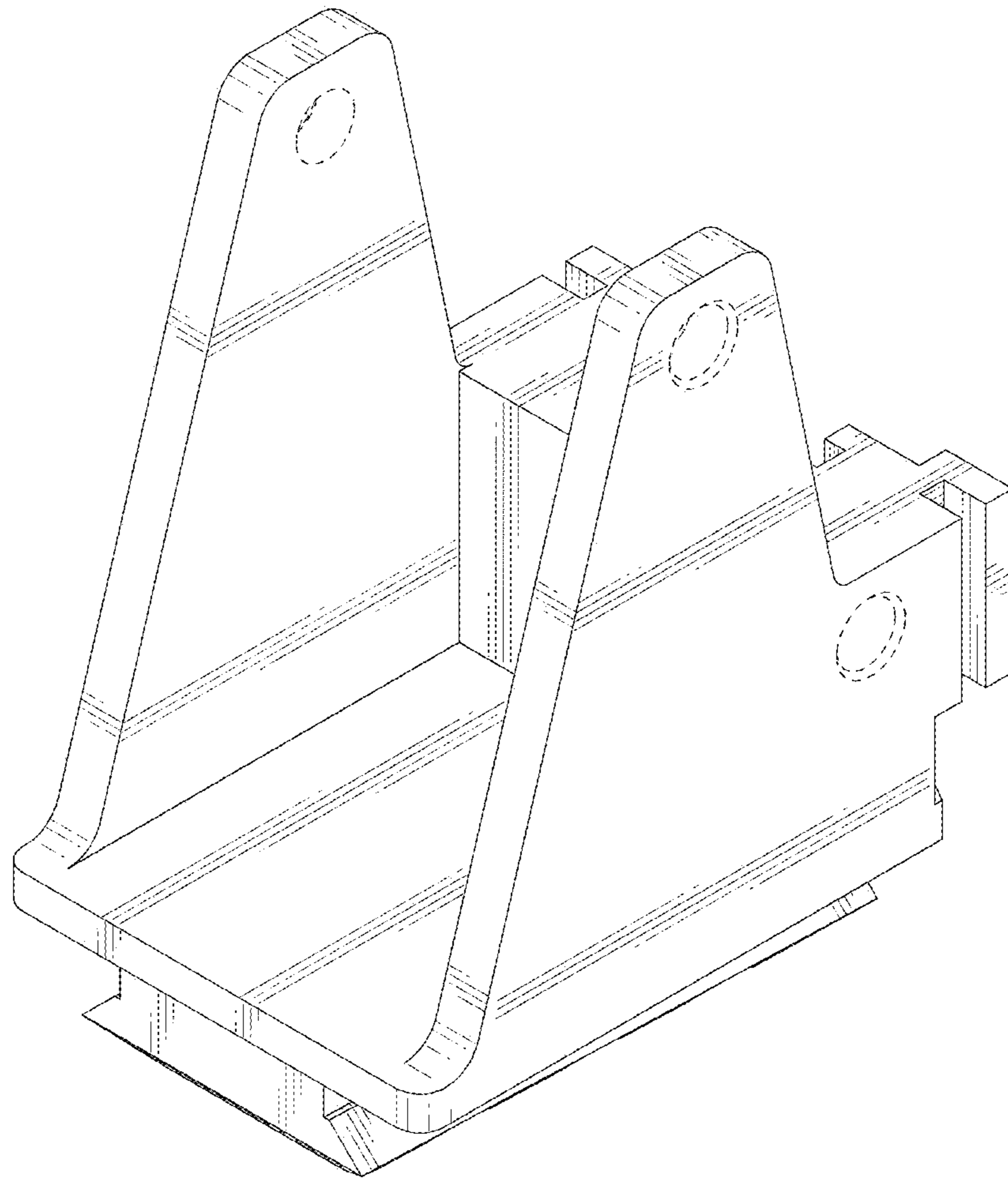


FIG. 2

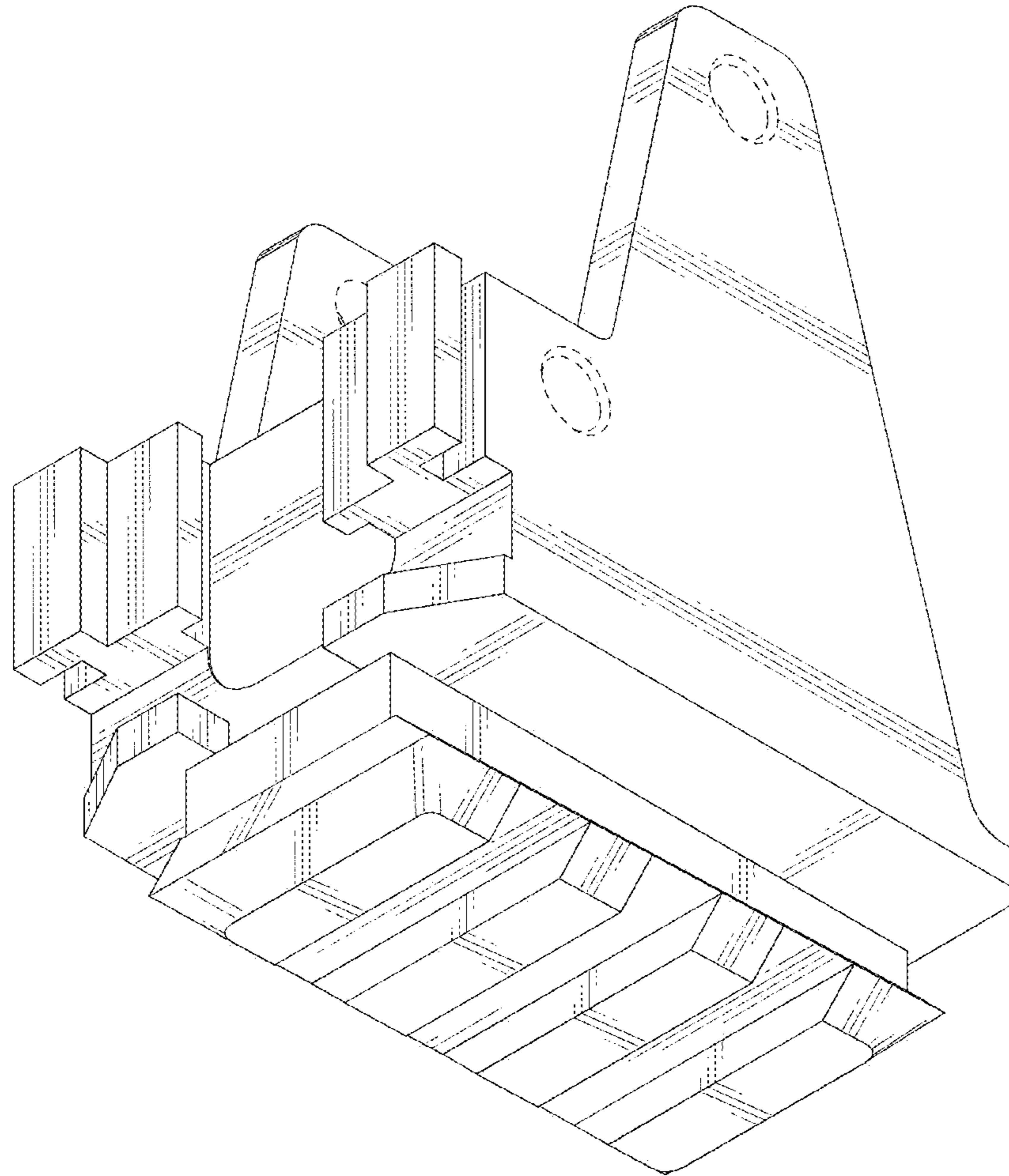


FIG. 3

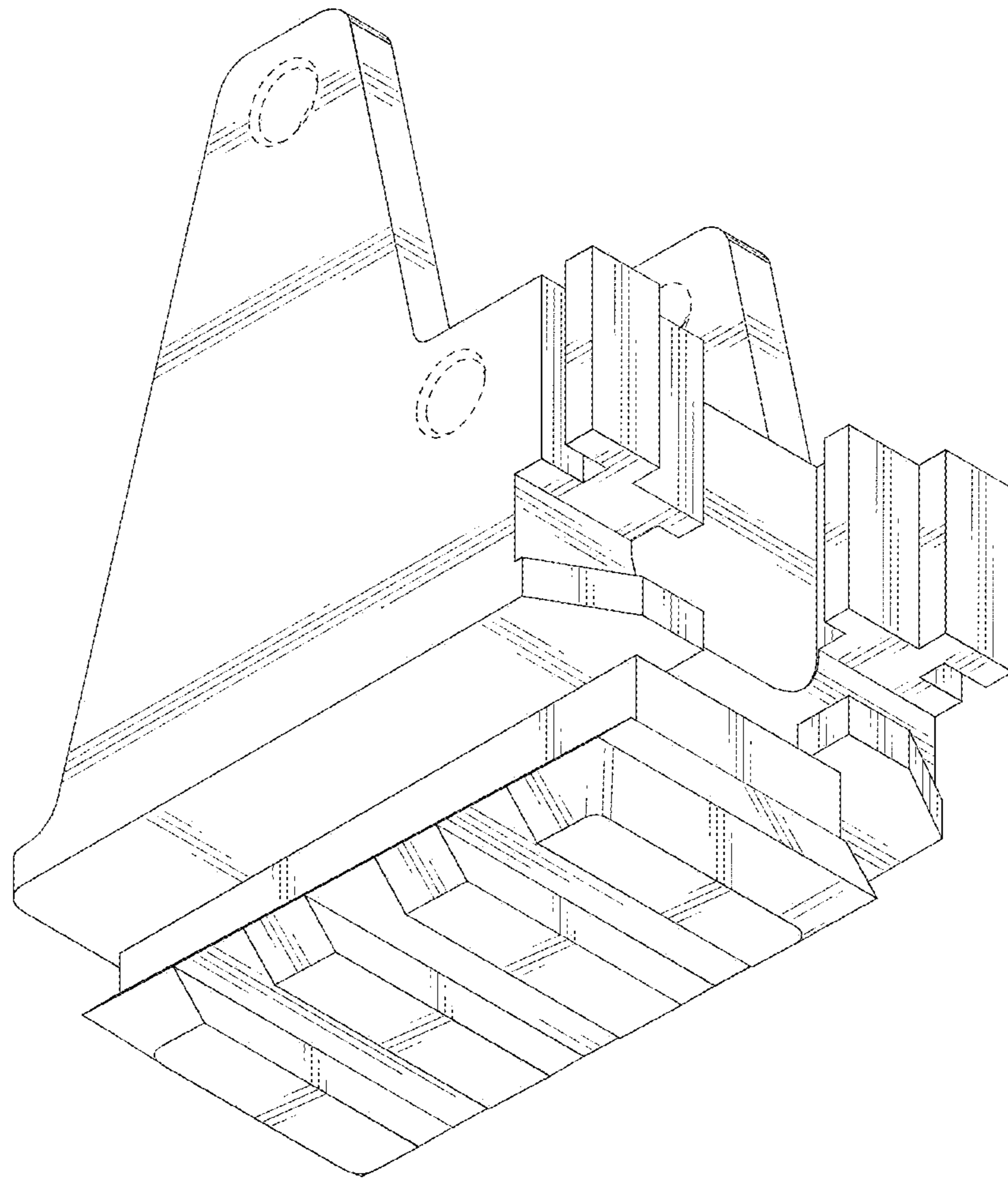


FIG. 4

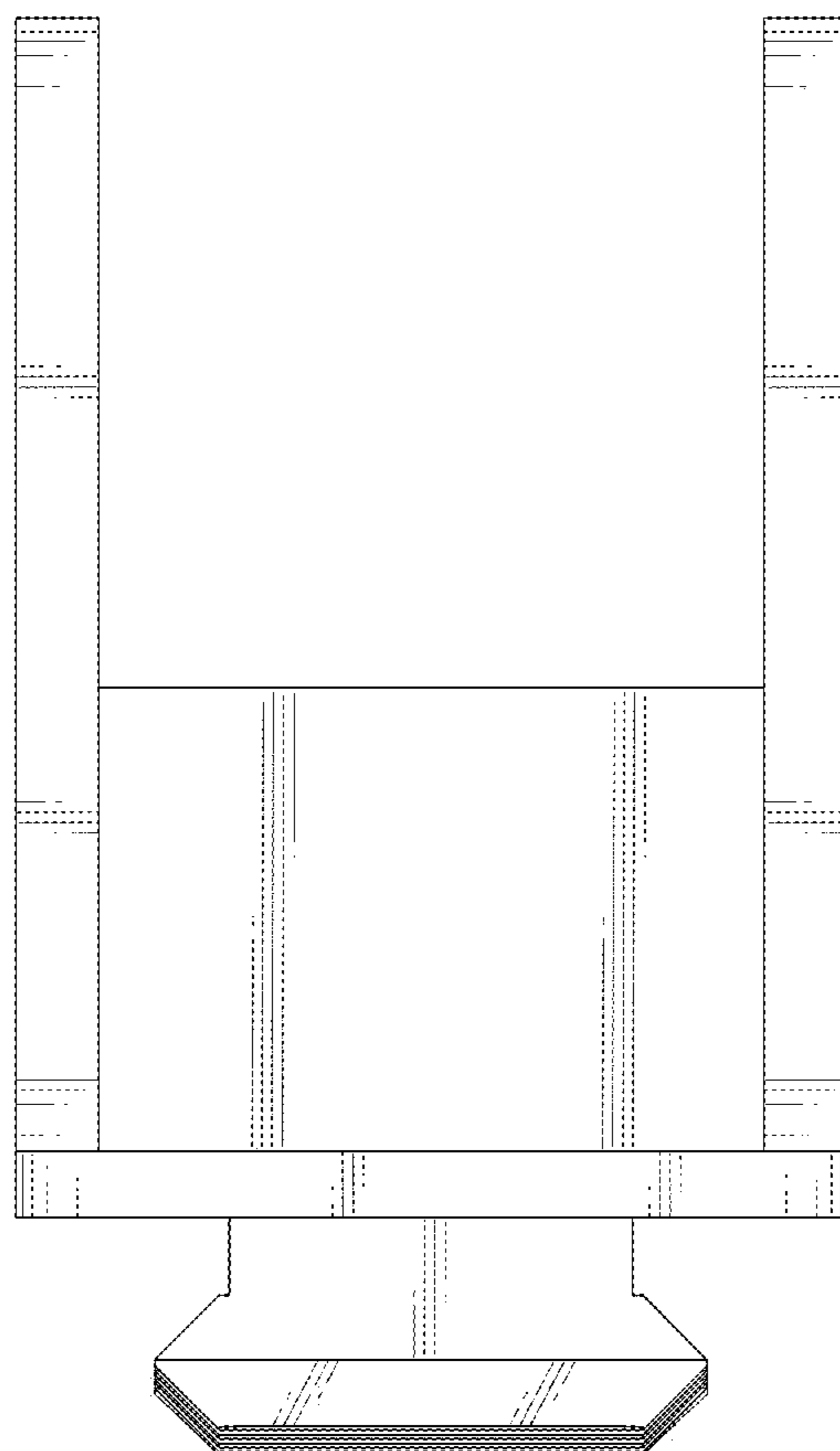


FIG. 5

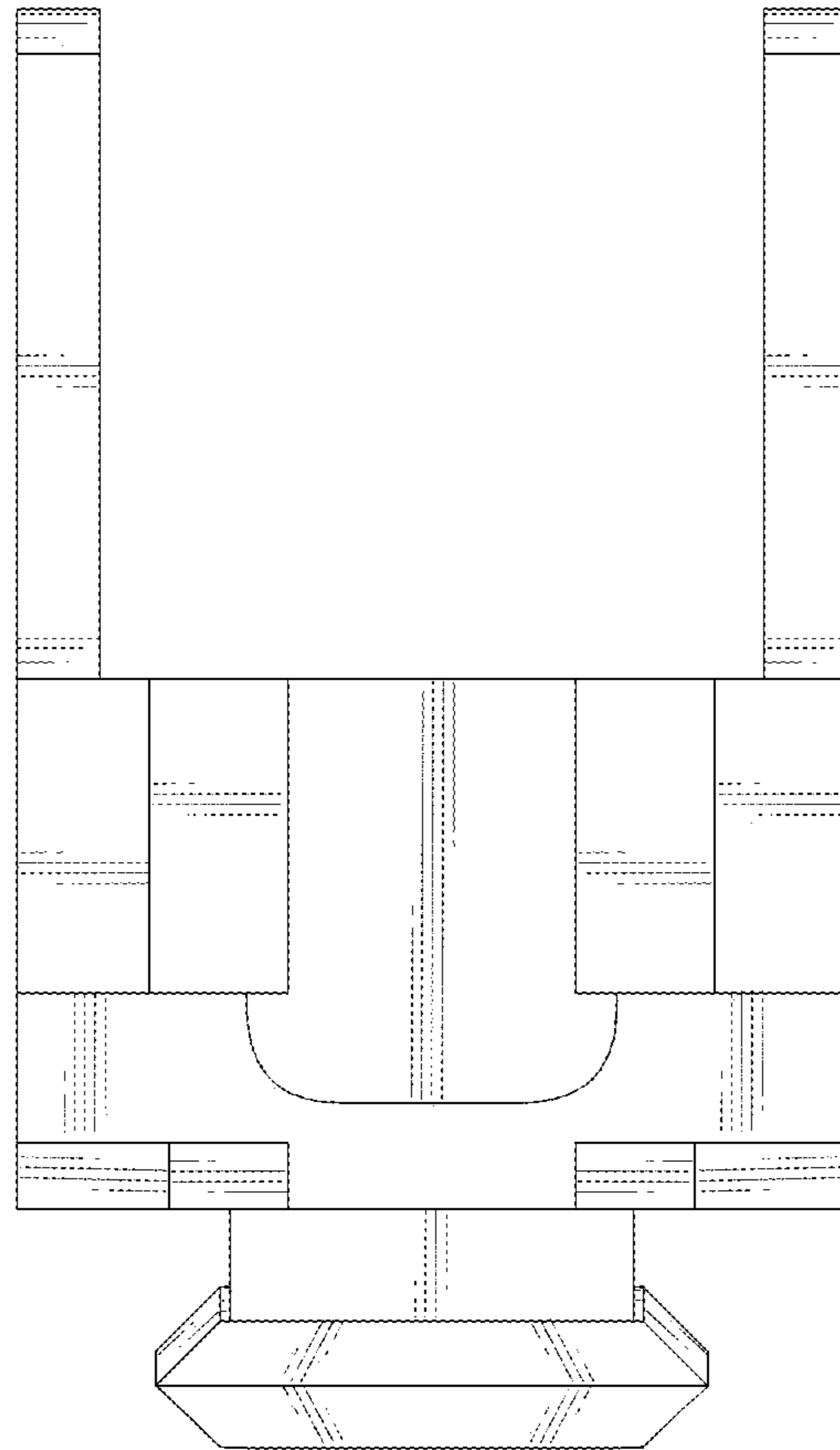


FIG. 6

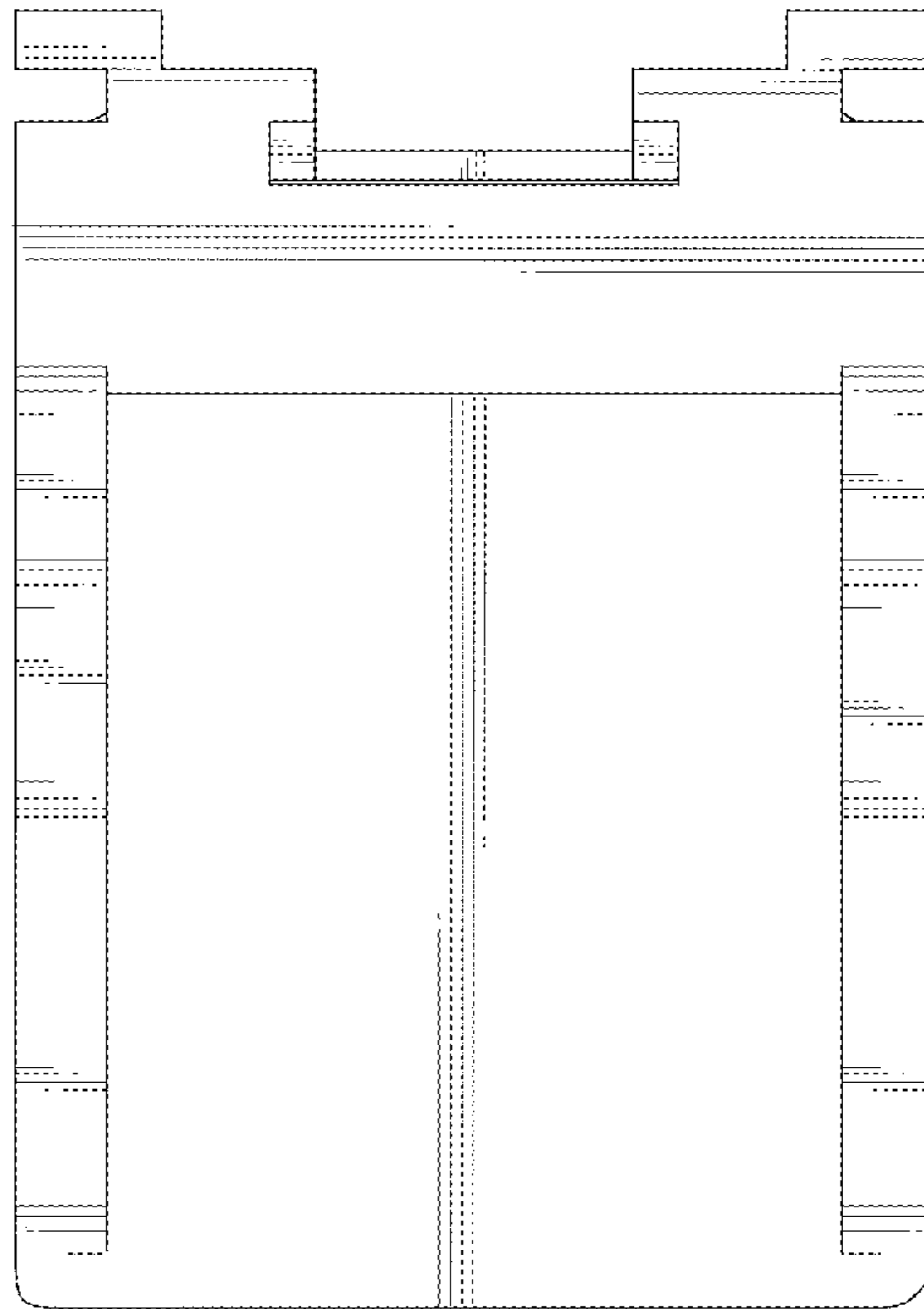


FIG. 7

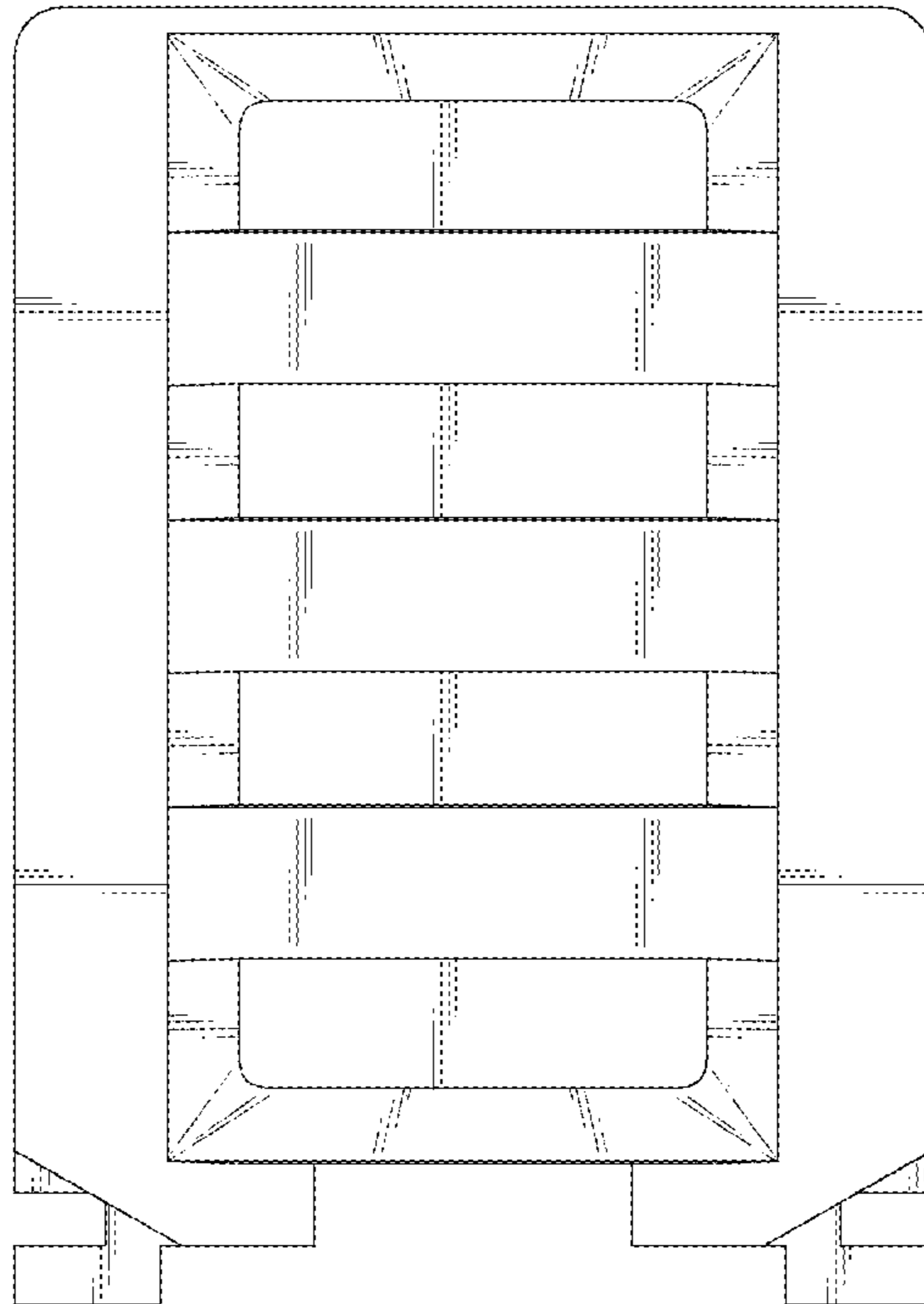


FIG. 8

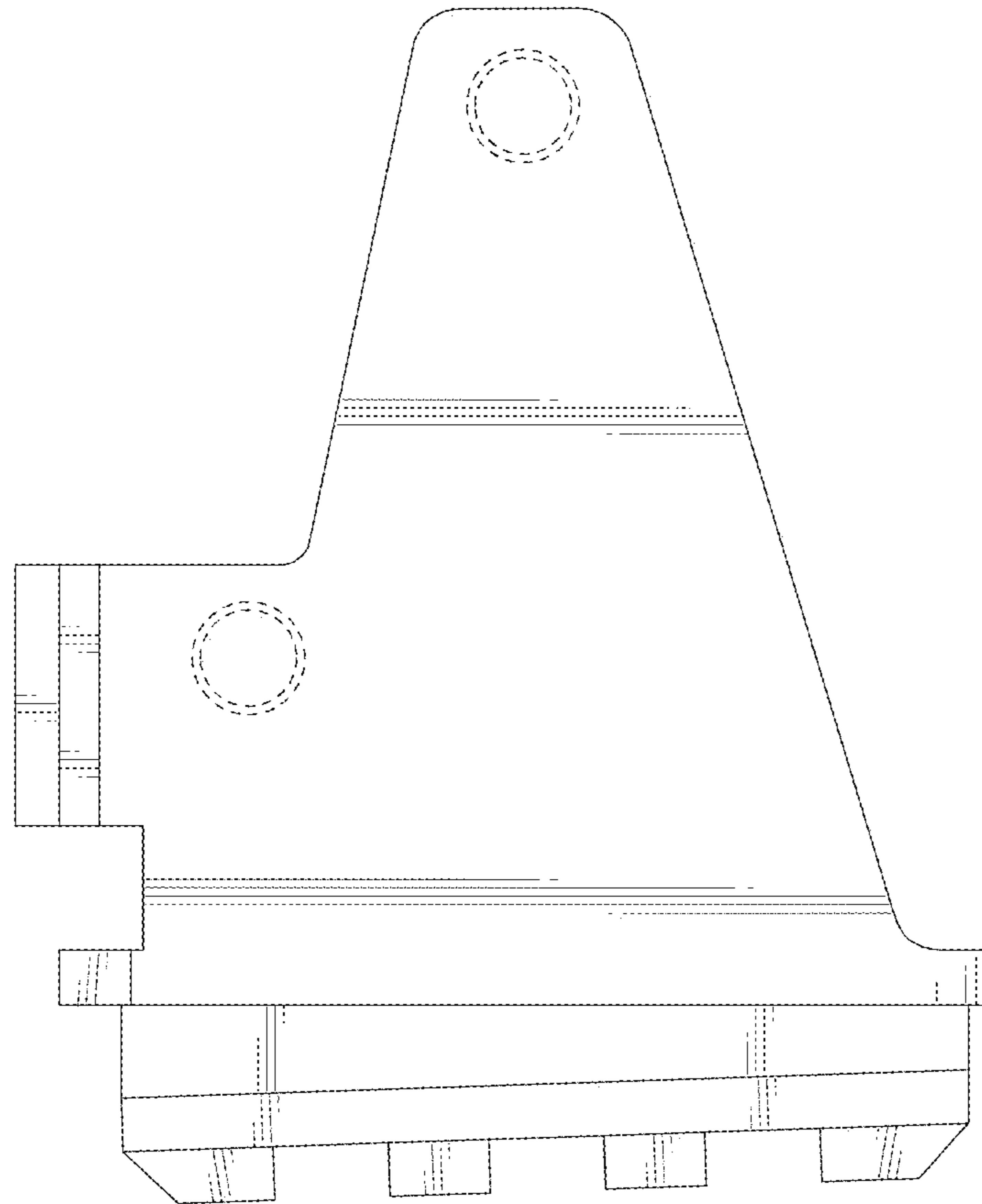


FIG. 9

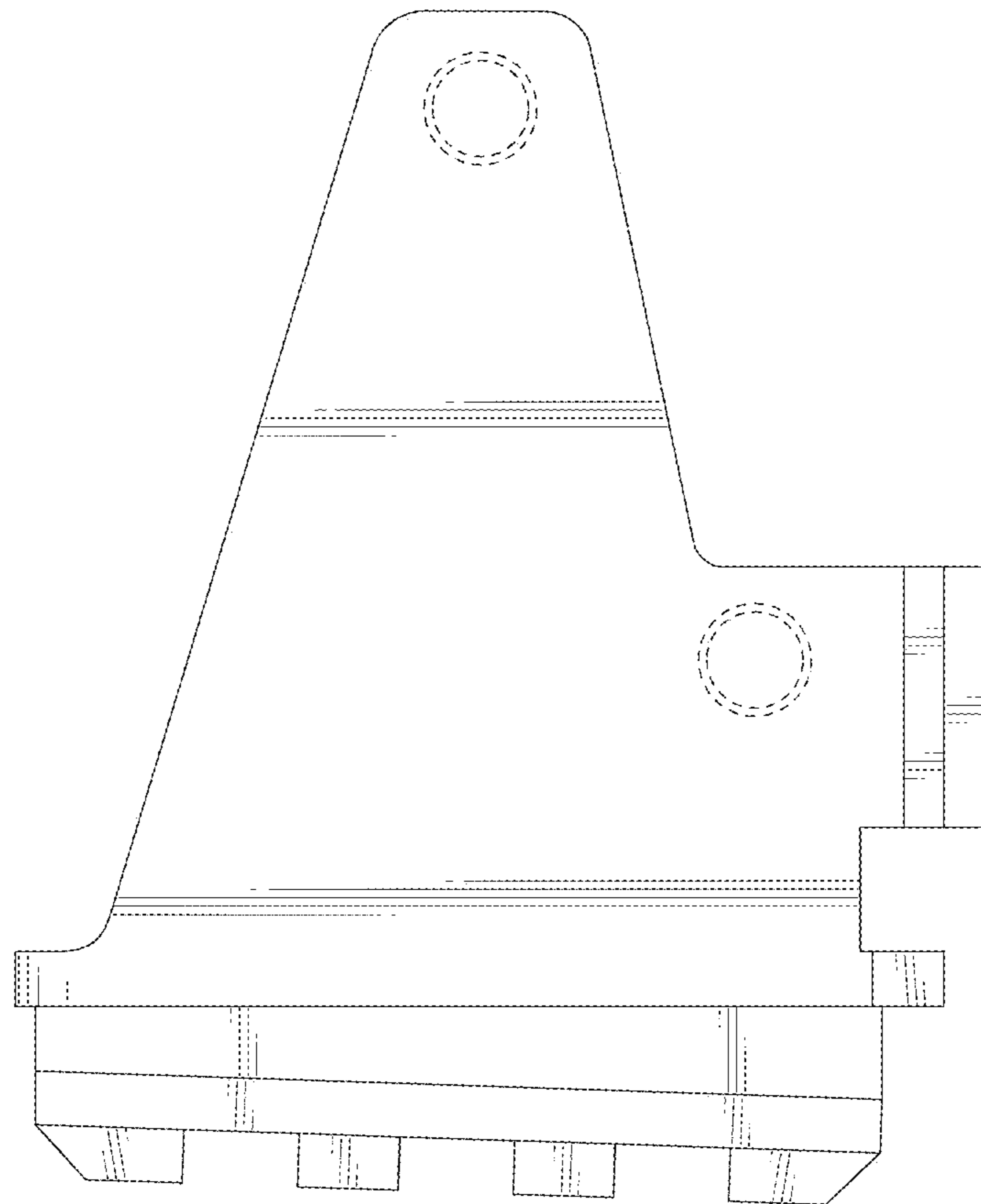


FIG. 10